

US00D571159S

(12) **United States Design Patent**  
**Pommier et al.**

(10) **Patent No.:** **US D571,159 S**  
(45) **Date of Patent:** **\*\* Jun. 17, 2008**

(54) **TABLE NAPKIN DISPENSER**  
(75) Inventors: **Nicolas Pommier**, Colmar (FR);  
**Philippe Guillemette**, Caen (FR)  
(73) Assignee: **Georgia-Pacific France** (FR)

6,257,443 B1 \* 7/2001 LaCount ..... 221/35  
6,585,129 B2 7/2003 Moody et al.  
6,981,610 B2 \* 1/2006 Smiley et al. .... 221/33  
D526,165 S \* 8/2006 Burns et al. .... D7/631  
2003/0019880 A1 1/2003 Timmers et al.  
2003/0062375 A1 4/2003 Christensen et al.

(\*\*) Term: **14 Years**

\* cited by examiner

(21) Appl. No.: **29/281,346**

*Primary Examiner*—Terry A Wallace

(22) Filed: **Jun. 21, 2007**

(74) *Attorney, Agent, or Firm*—Joel T. Charlton

(30) **Foreign Application Priority Data**

Dec. 26, 2006 (EM) ..... 000643952-0001

(57) **CLAIM**

The ornamental design for a table napkin dispenser, as shown and described.

(51) **LOC (8) Cl.** ..... **07-06**

**DESCRIPTION**

(52) **U.S. Cl.** ..... **D7/631**

(58) **Field of Classification Search** ..... D7/631–634;  
D6/515–518; 206/233, 494; 312/61; 221/33–41,  
221/45–60, 227, 279, 282, 284  
See application file for complete search history.

FIG. 1 is a perspective view of the table napkin dispenser, the table napkin dispenser including broken lines, which are used in the present drawing and throughout the drawings to represent environment and which form no part of the claimed invention;

(56) **References Cited**

U.S. PATENT DOCUMENTS

2,426,136 A 8/1947 Agamaite, Jr.  
2,852,158 A \* 9/1958 Jones et al. .... 221/35  
3,473,672 A \* 10/1969 Fincher ..... 211/51  
3,878,966 A \* 4/1975 Haboush ..... 221/33  
4,679,703 A 7/1987 De Luca  
4,838,454 A 6/1989 Salzmann et al.  
5,076,466 A 12/1991 Petterson et al.  
D348,379 S \* 7/1994 Parella ..... D7/631  
D371,708 S \* 7/1996 Haley et al. .... D6/518

FIG. 2 is a front view in elevation of the table napkin dispenser;

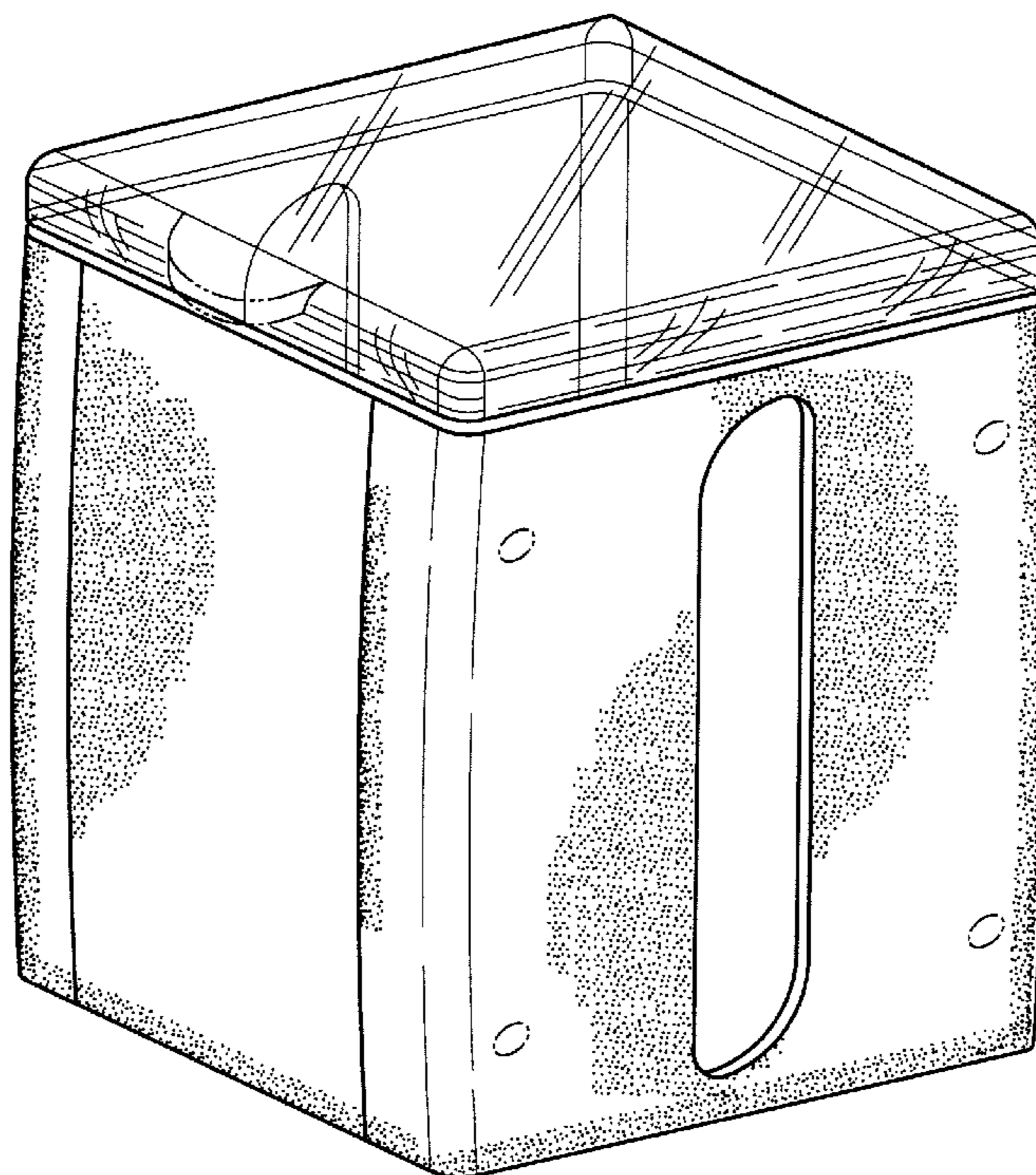
FIG. 3 is a side view in elevation of the table napkin dispenser;

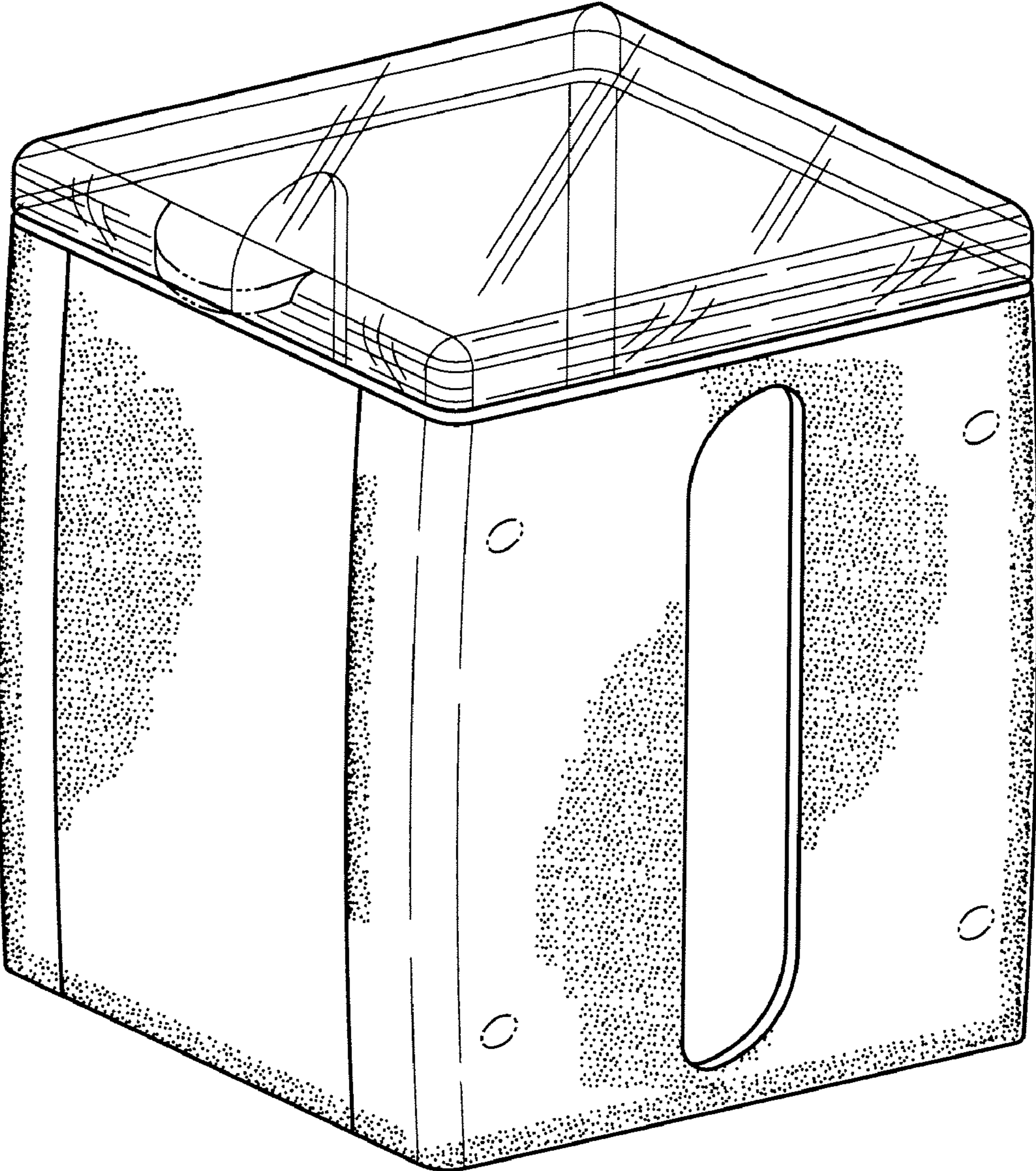
FIG. 4 is a side view (side opposite the side illustrated in FIG. 3) in elevation of the table napkin dispenser;

FIG. 5 is a top plan view of the table napkin dispenser; and,

FIG. 6 is a bottom plan view of the table napkin dispenser.

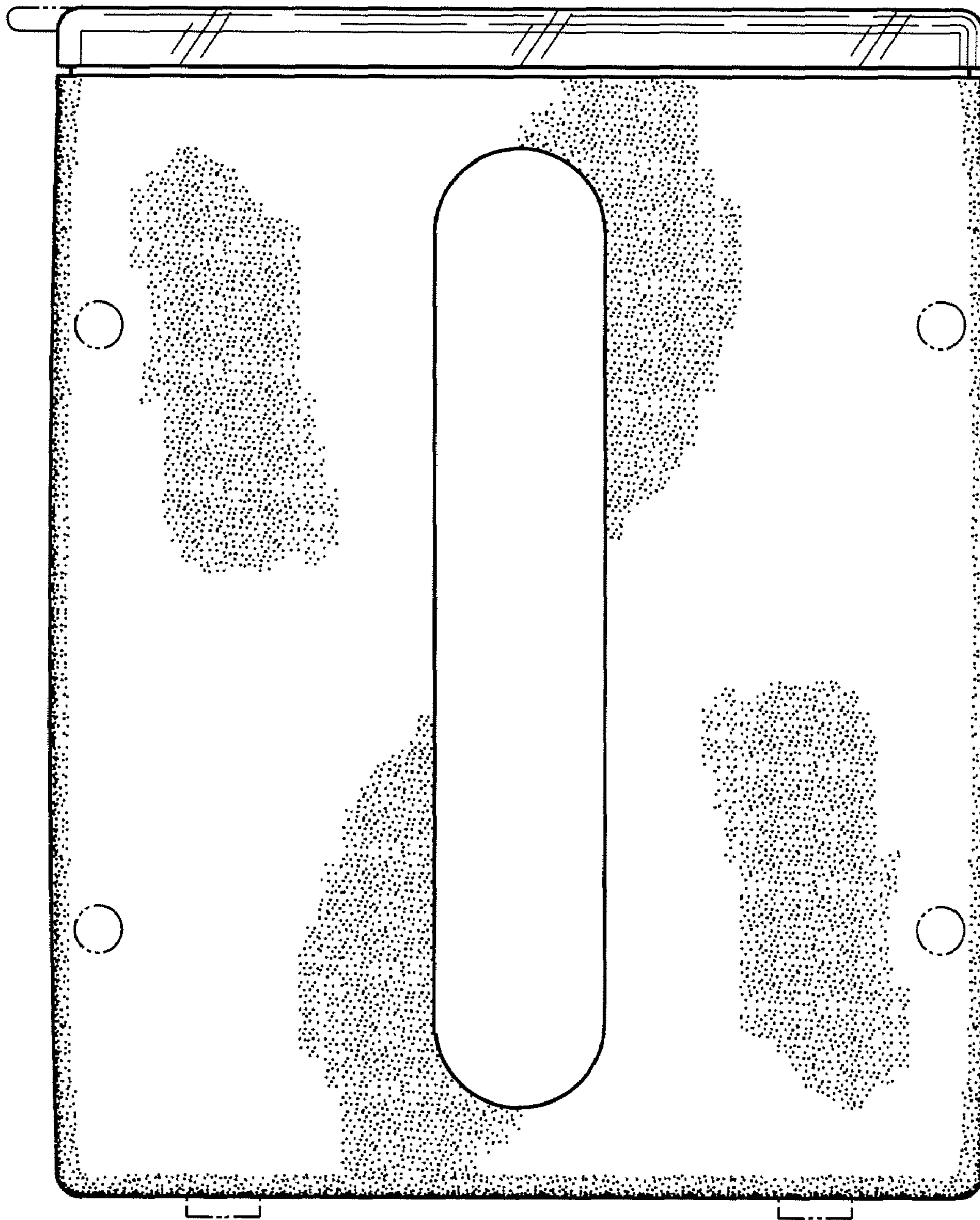
**1 Claim, 5 Drawing Sheets**



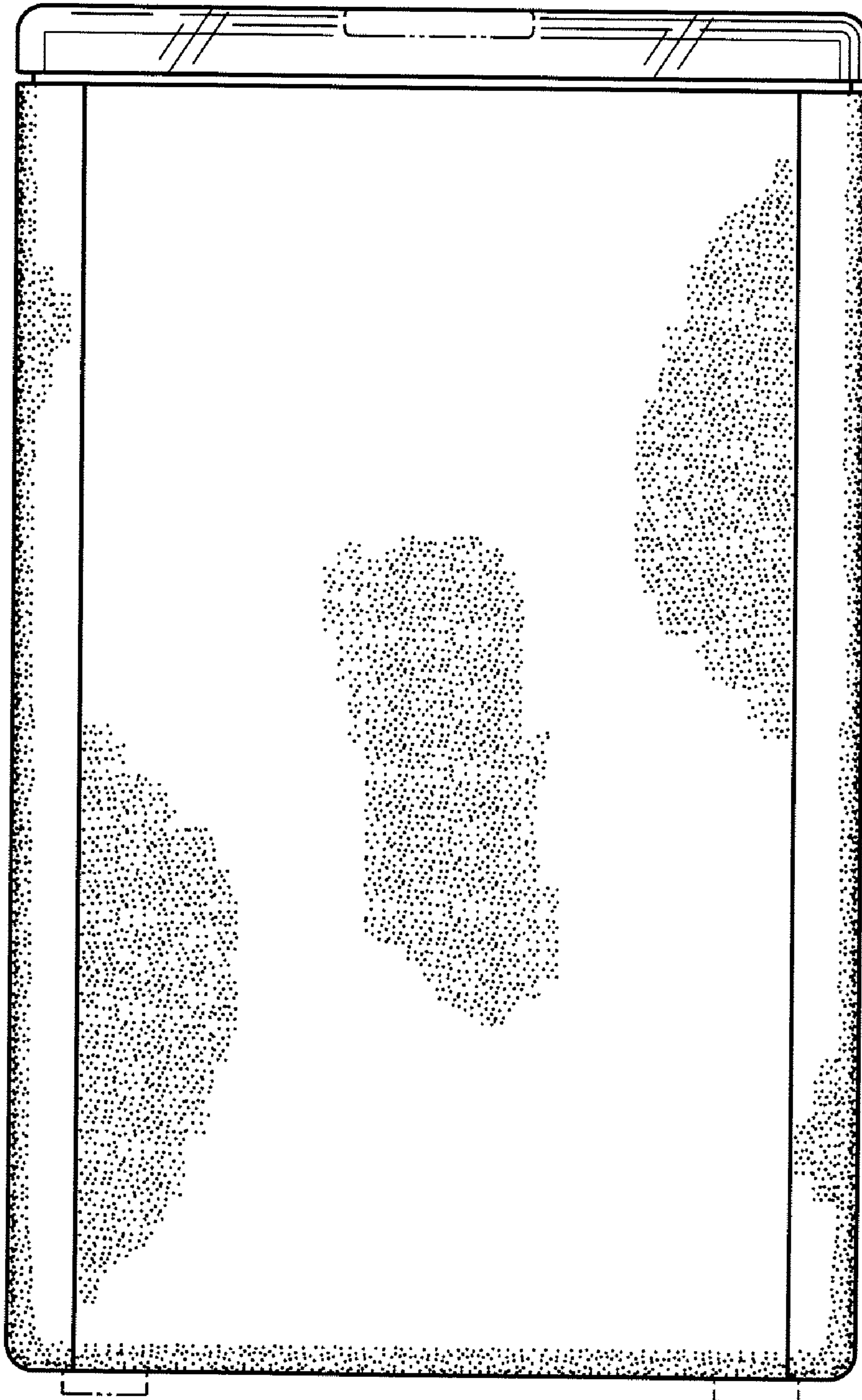


*Fig. 1*

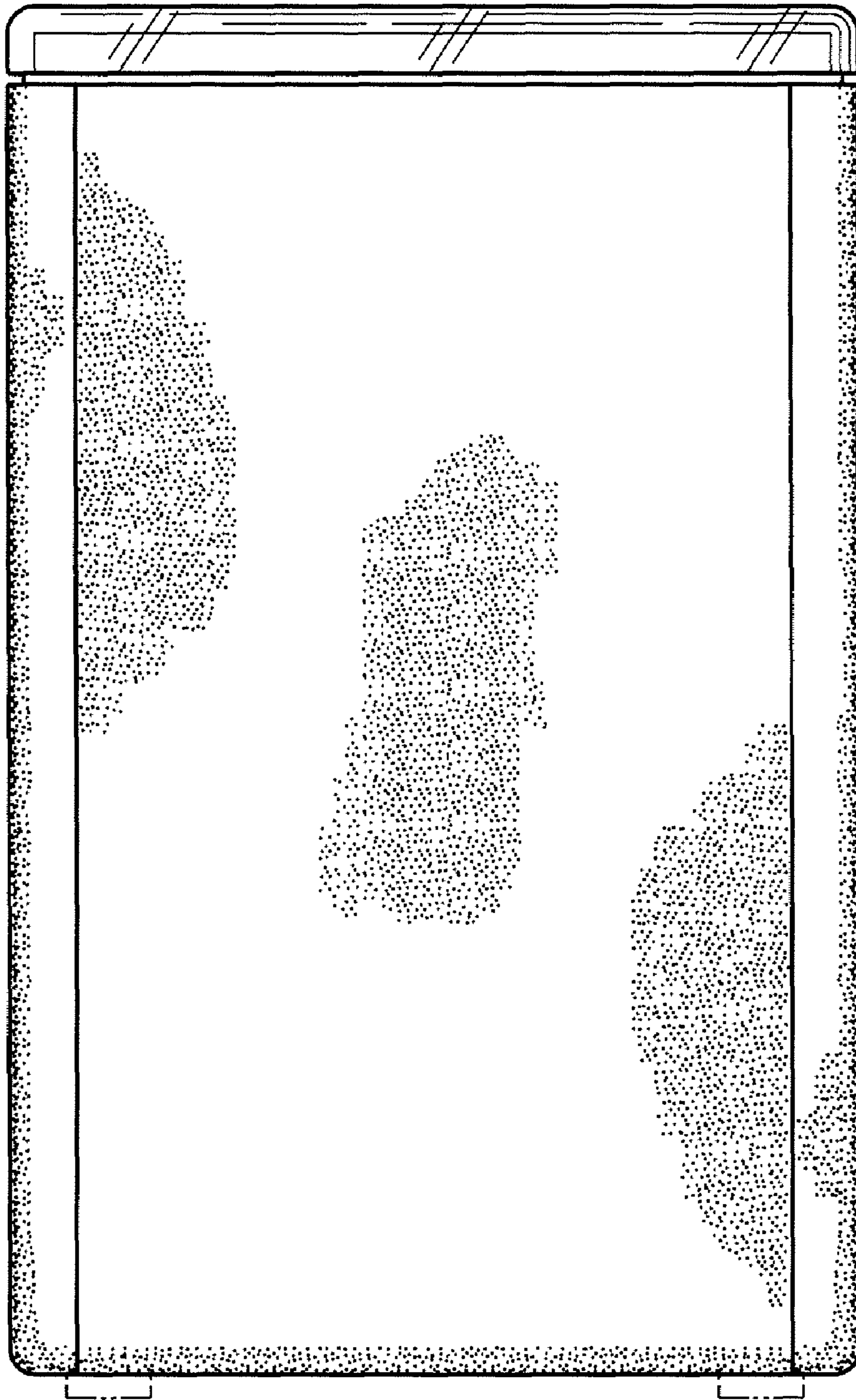




*Fig. 2*



*Fig. 3*



*Fig. 4*



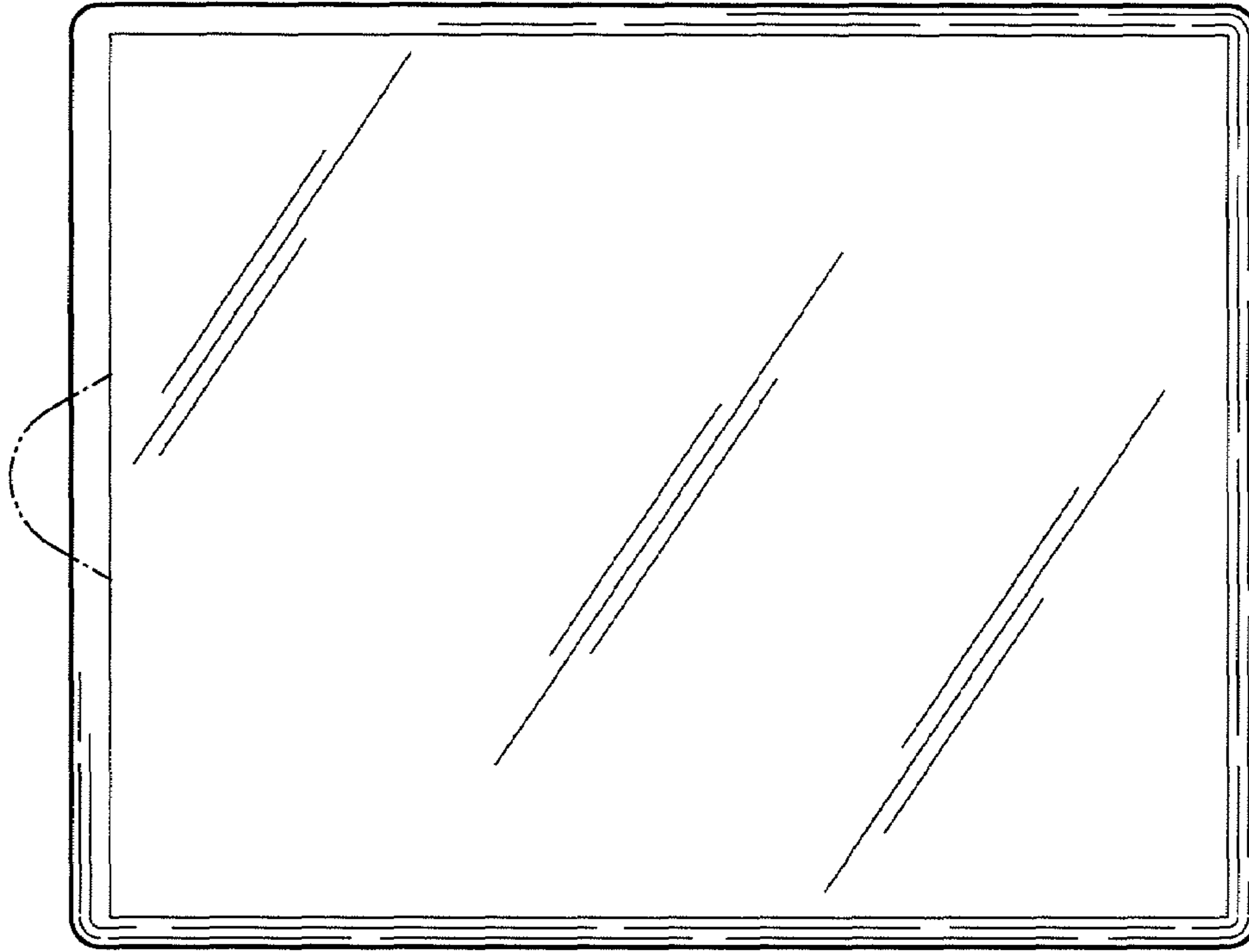


Fig. 5

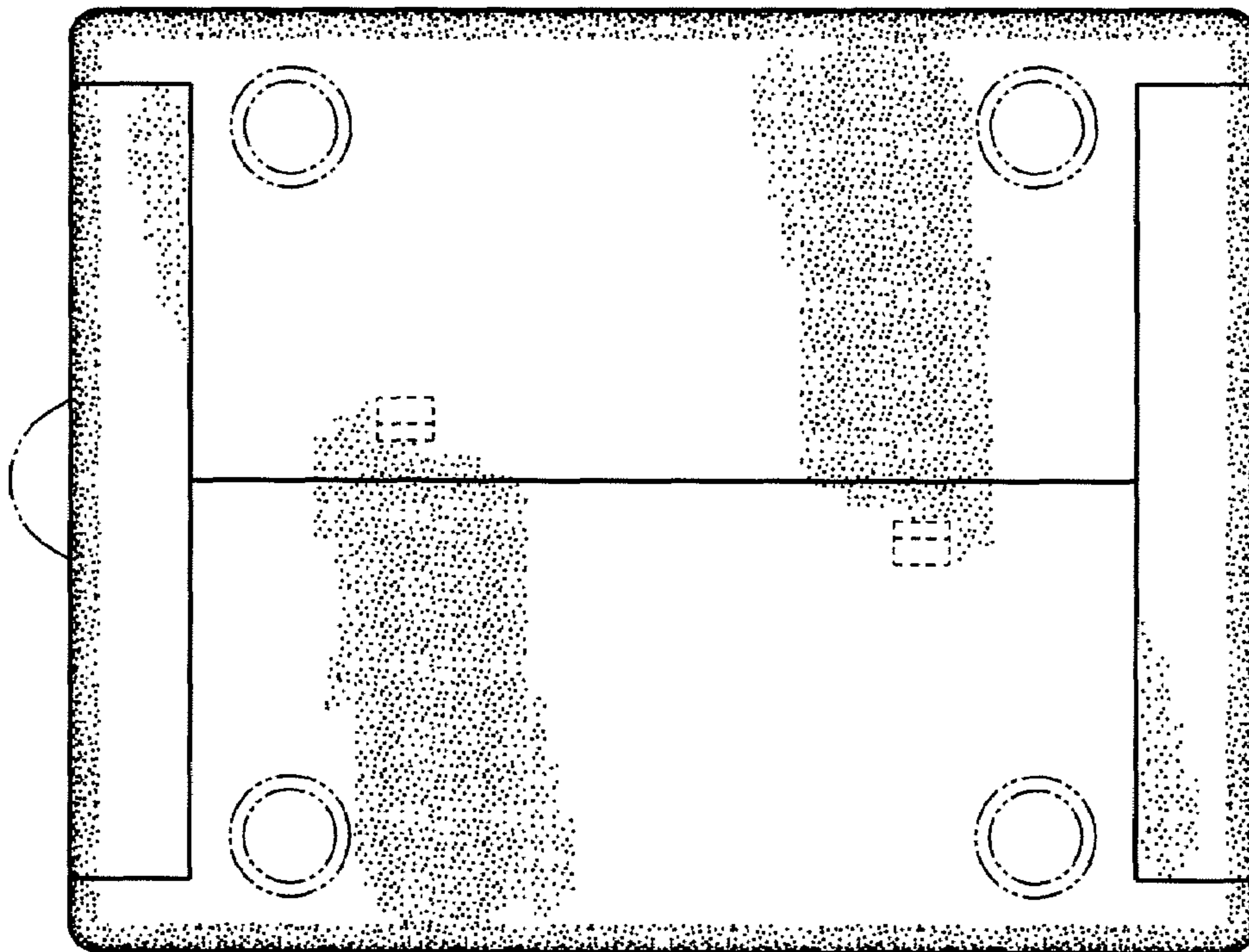


Fig. 6