



US00D571158S

(12) **United States Design Patent**
Green

(10) **Patent No.:** **US D571,158 S**

(45) **Date of Patent:** **** Jun. 17, 2008**

(54) **THREE-PEAS-IN-A-POD CANISTER SET**

D348,181 S * 6/1994 Lambert et al. D7/613
D367,207 S 2/1996 Lutzker

(76) Inventor: **Susan M Green**, 6165 E. Iliff Ave.,
Denver, CO (US) 80222

* cited by examiner

(**) Term: **14 Years**

Primary Examiner—Terry A Wallace

(21) Appl. No.: **29/284,868**

(57) **CLAIM**

(22) Filed: **Sep. 17, 2007**

The ornamental design for a three-peas-in-a-pod canister set,
as shown and described.

(51) **LOC (8) Cl.** **07-01**

(52) **U.S. Cl.** **D7/613; D7/628**

(58) **Field of Classification Search** D7/612–613,
D7/628, 629, 630, 601, 602, 590–599, 571,
D7/576, 582, 506; D9/644; 222/142.1–142.9;
206/457

See application file for complete search history.

DESCRIPTION

FIG. 1 is a front elevation view of a three-peas-in-a-pod
canister set with a lid removed for clarity showing my new
design;

FIG. 2 is a rear elevation view with a lid removed for clarity;

FIG. 3 is a right elevation view with a lid removed for
clarity;

FIG. 4 is a left elevation view with a lid removed for clarity;

FIG. 5 is a top plan view with a lid removed for clarity; and,

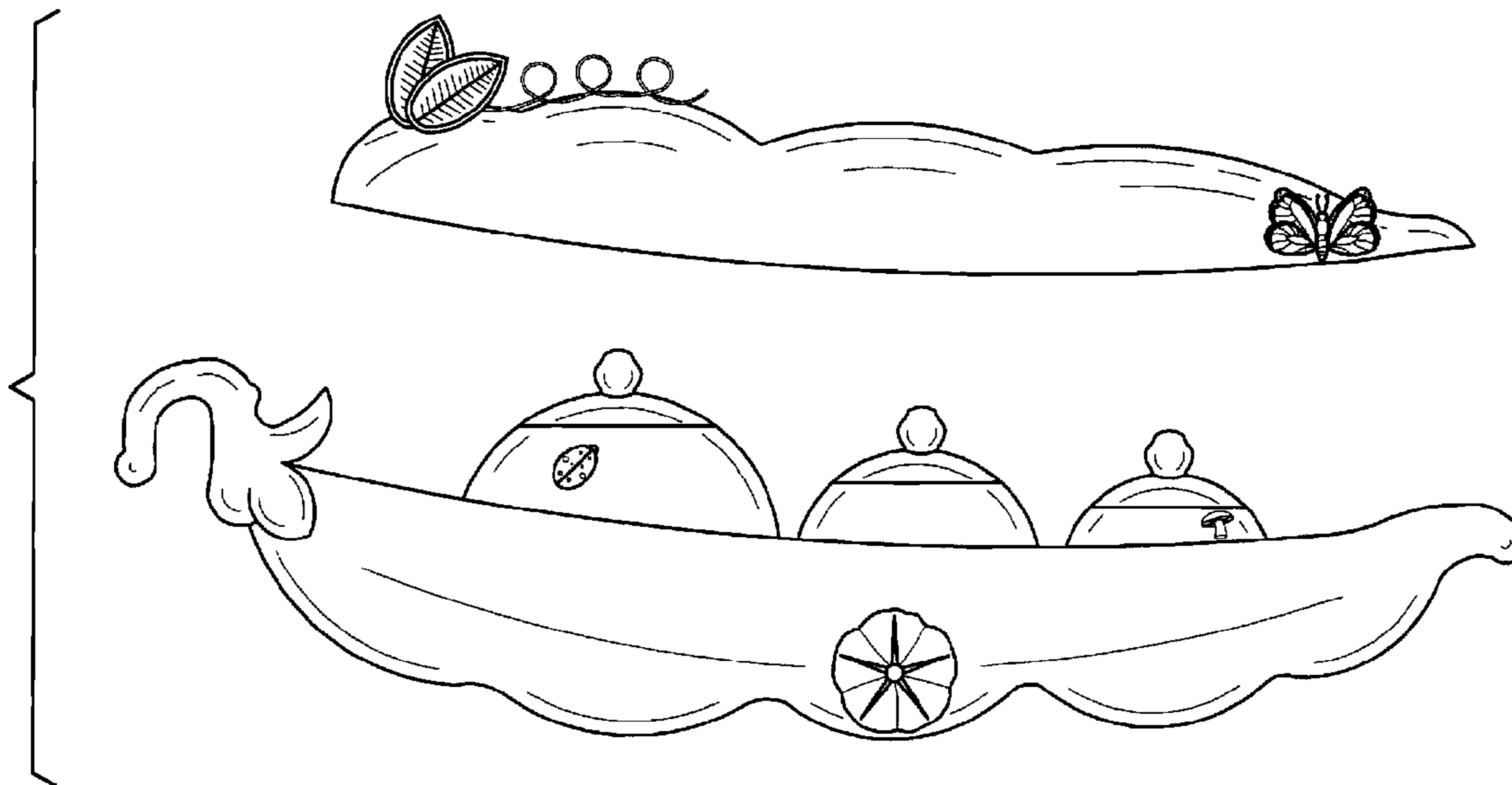
FIG. 6 is a bottom plan view of a three-peas-in-a-pod
canister set with a lid removed for clarity.

(56) **References Cited**

U.S. PATENT DOCUMENTS

D102,291 S	*	12/1936	Simms	D7/593
D137,527 S	*	3/1944	Ross	D7/594
D169,264 S	*	4/1953	Lapofsky	D7/599
5,009,341 A		4/1991	Broxton		
D322,558 S		12/1991	Halm et al.		

1 Claim, 3 Drawing Sheets



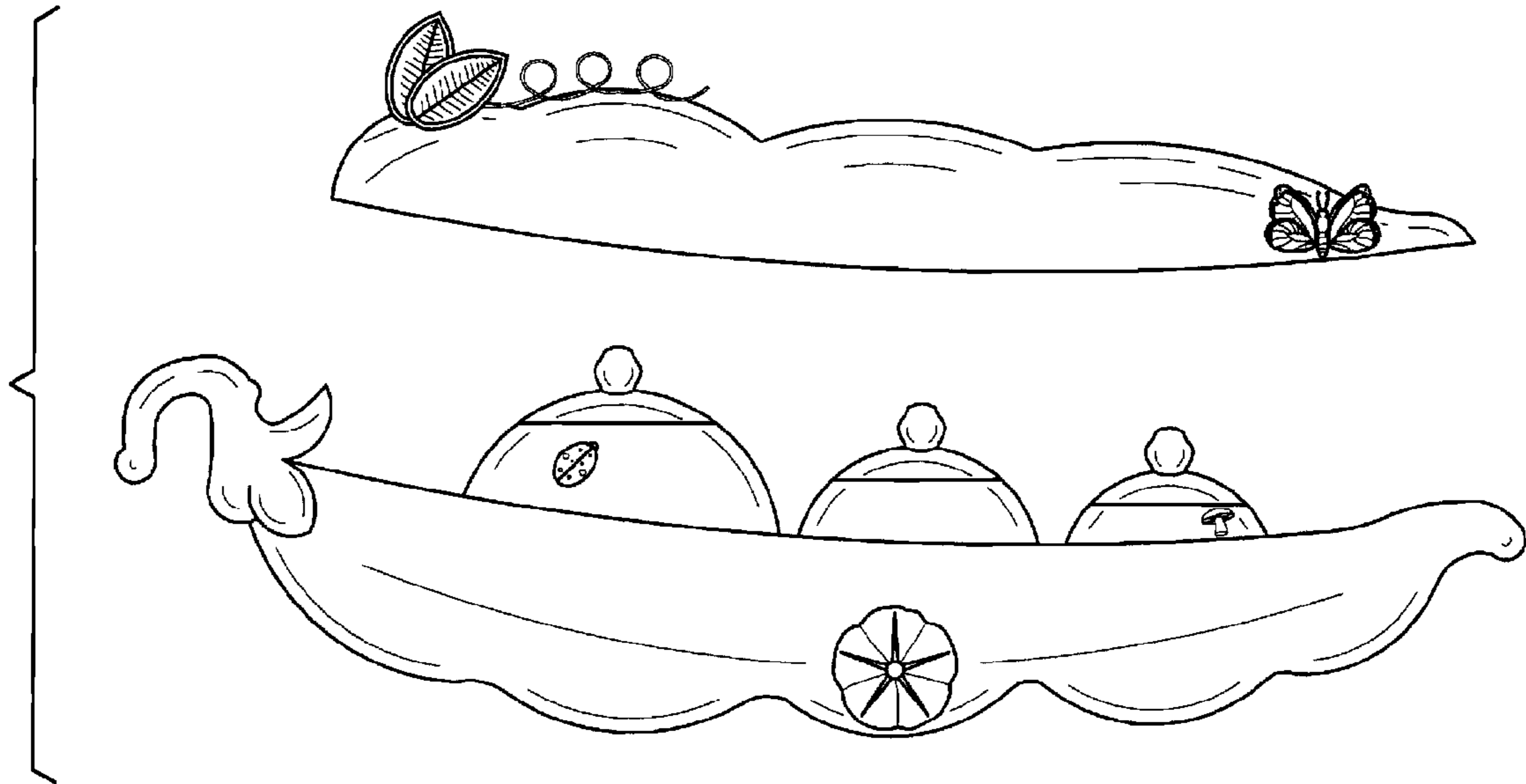


FIG. 1

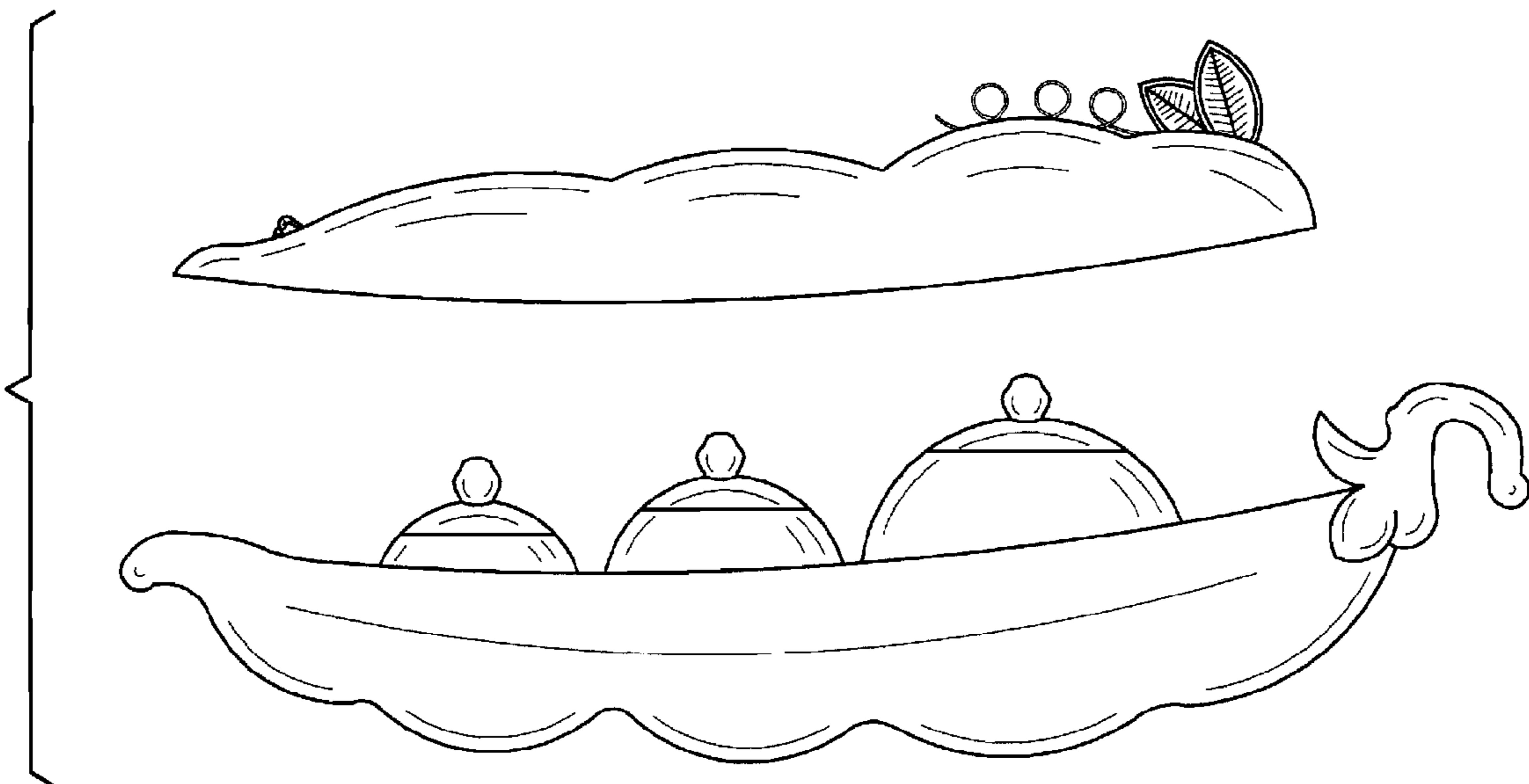


FIG. 2

FIG. 3

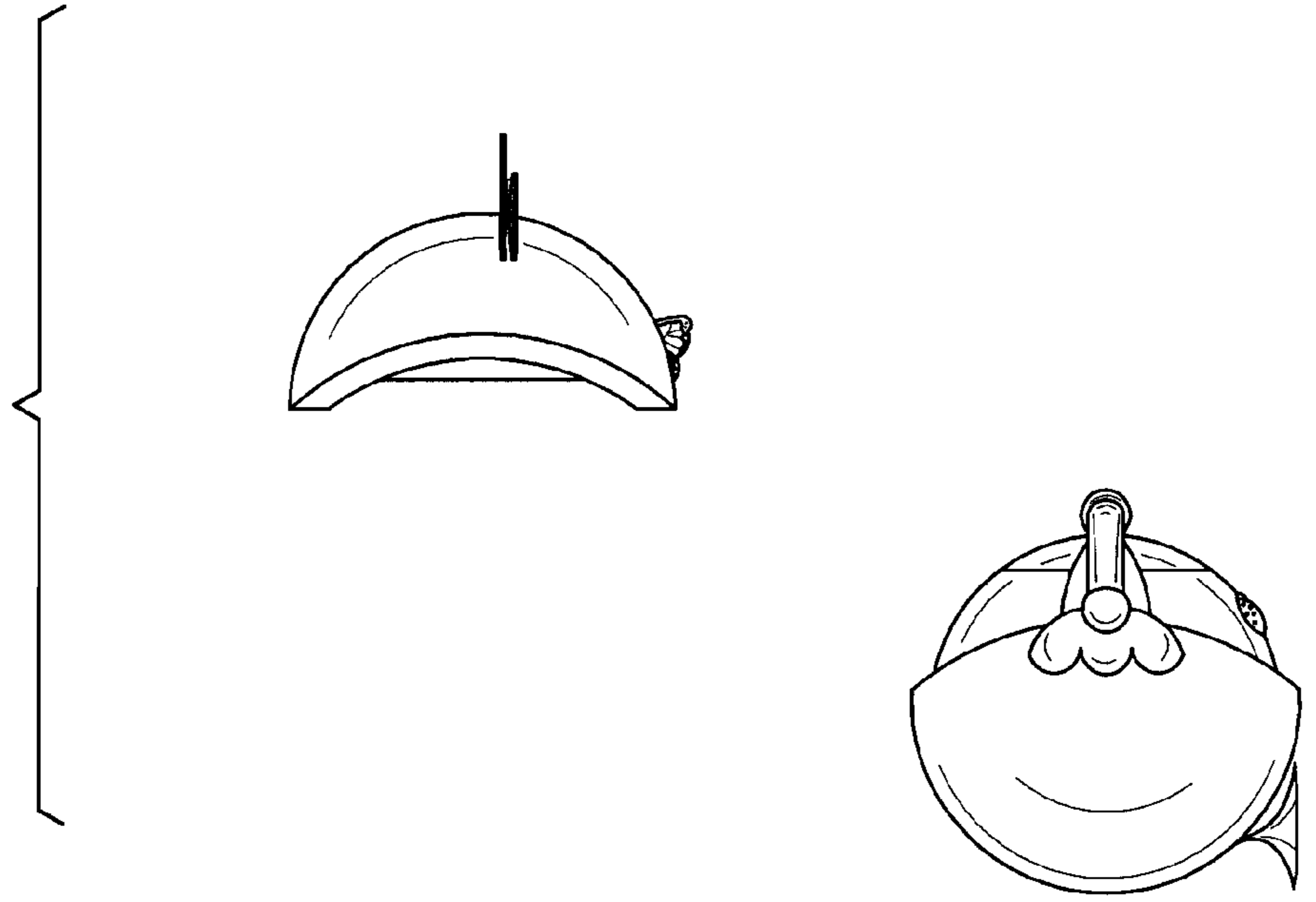


FIG. 4

