



US00D571154S

(12) **United States Design Patent**
Pearson

(10) **Patent No.:** **US D571,154 S**

(45) **Date of Patent:** **** Jun. 17, 2008**

(54) **MUG**

(75) Inventor: **Arthur Scott Pearson**, Upland, CA
(US)

(73) Assignee: **Sweda Co, LLC**, Monrovia, CA (US)

(**) Term: **14 Years**

(21) Appl. No.: **29/292,277**

(22) Filed: **Oct. 6, 2007**

(51) **LOC (8) Cl.** **07-01**

(52) **U.S. Cl.** **D7/533; D7/510**

(58) **Field of Classification Search** D7/500,
D7/509-511, 523, 532, 536, 538, 540, 396.2;
D9/500; 215/DIG. 7, 363, 387; 220/592.16,
220/592.17, 703, 710.5

See application file for complete search history.

(56) **References Cited**

U.S. PATENT DOCUMENTS

1,197,389	A *	9/1916	Newton	215/383
1,832,806	A *	11/1931	Dawson	215/43
D120,587	S *	5/1940	Hinkins	D9/500
D357,414	S *	4/1995	Kornick et al.	D9/776
D383,037	S *	9/1997	Asberg	D7/511
D488,348	S *	4/2004	Liu	D7/523
D506,641	S *	6/2005	Liu	D7/523

D519,784	S *	5/2006	Karp	D7/523
D528,861	S *	9/2006	Herrera	D7/510
D553,438	S *	10/2007	Boehm	D7/523
D553,439	S *	10/2007	Bodum	D7/523
D553,442	S *	10/2007	Bodum	D7/536
D554,433	S *	11/2007	Gluck	D7/523

* cited by examiner

Primary Examiner—Philip Hyder

Assistant Examiner—Cynthia Underwood

(74) *Attorney, Agent, or Firm*—Clement Cheng

(57) **CLAIM**

The ornamental design for a mug, as shown and described.

DESCRIPTION

FIG. 1 is a perspective view;

FIG. 2 is a front view;

FIG. 3 is a rear view;

FIG. 4 is a left side view;

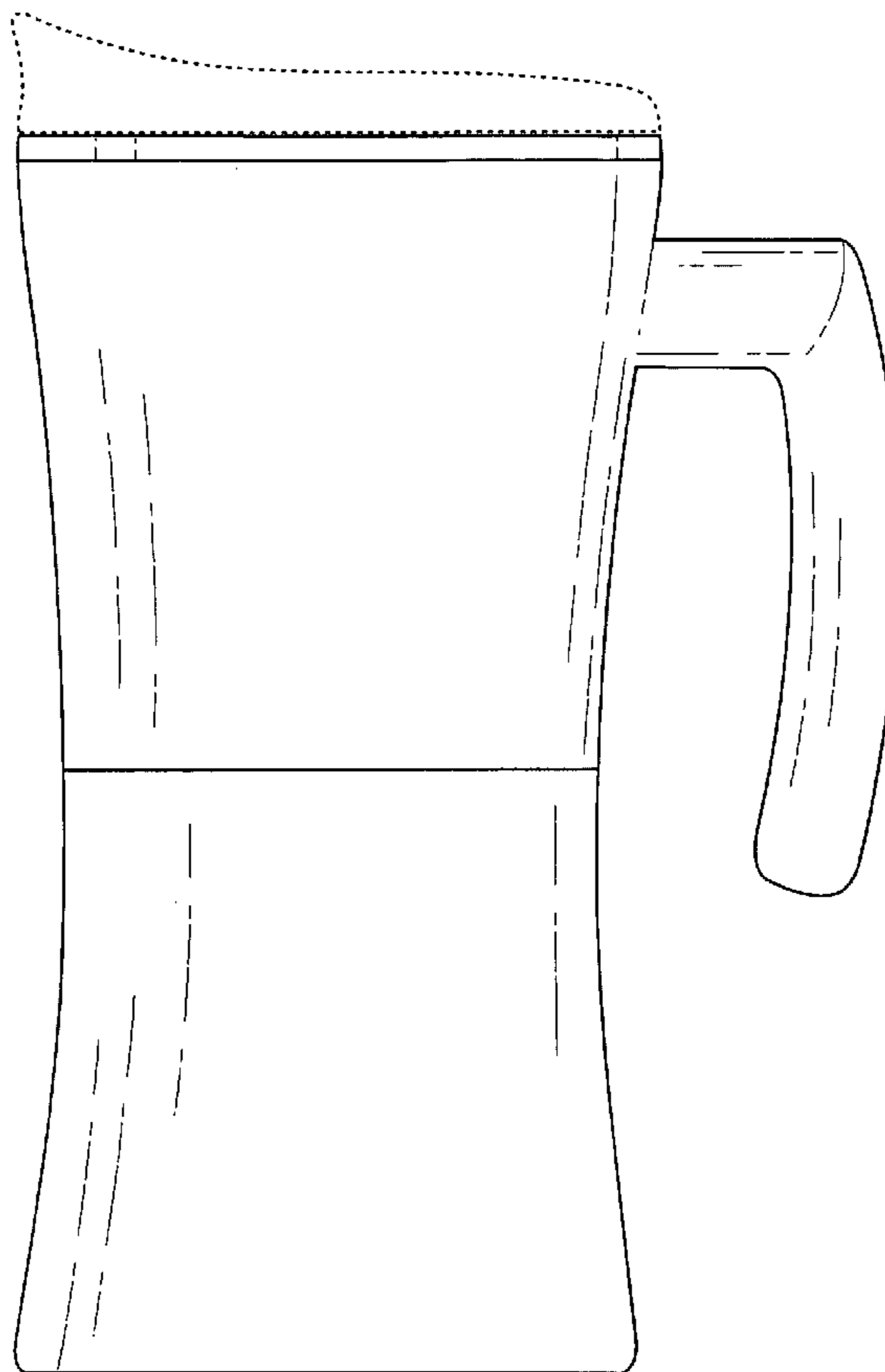
FIG. 5 is a right side view;

FIG. 6 is a top view; and,

FIG. 7 is a bottom view.

The broken lines are for illustrative purposes only and form no part of the claimed design.

1 Claim, 6 Drawing Sheets



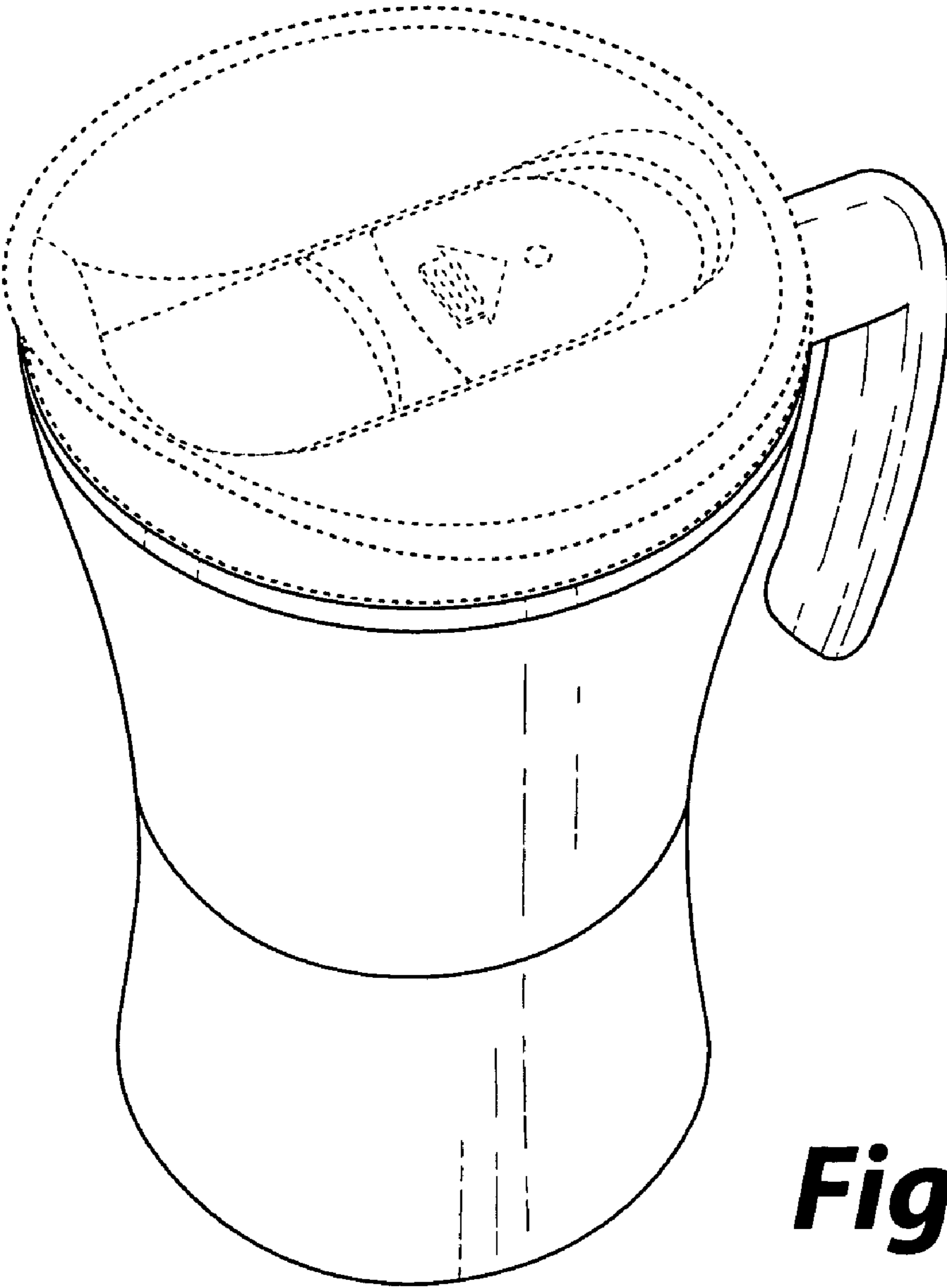


Fig. 1

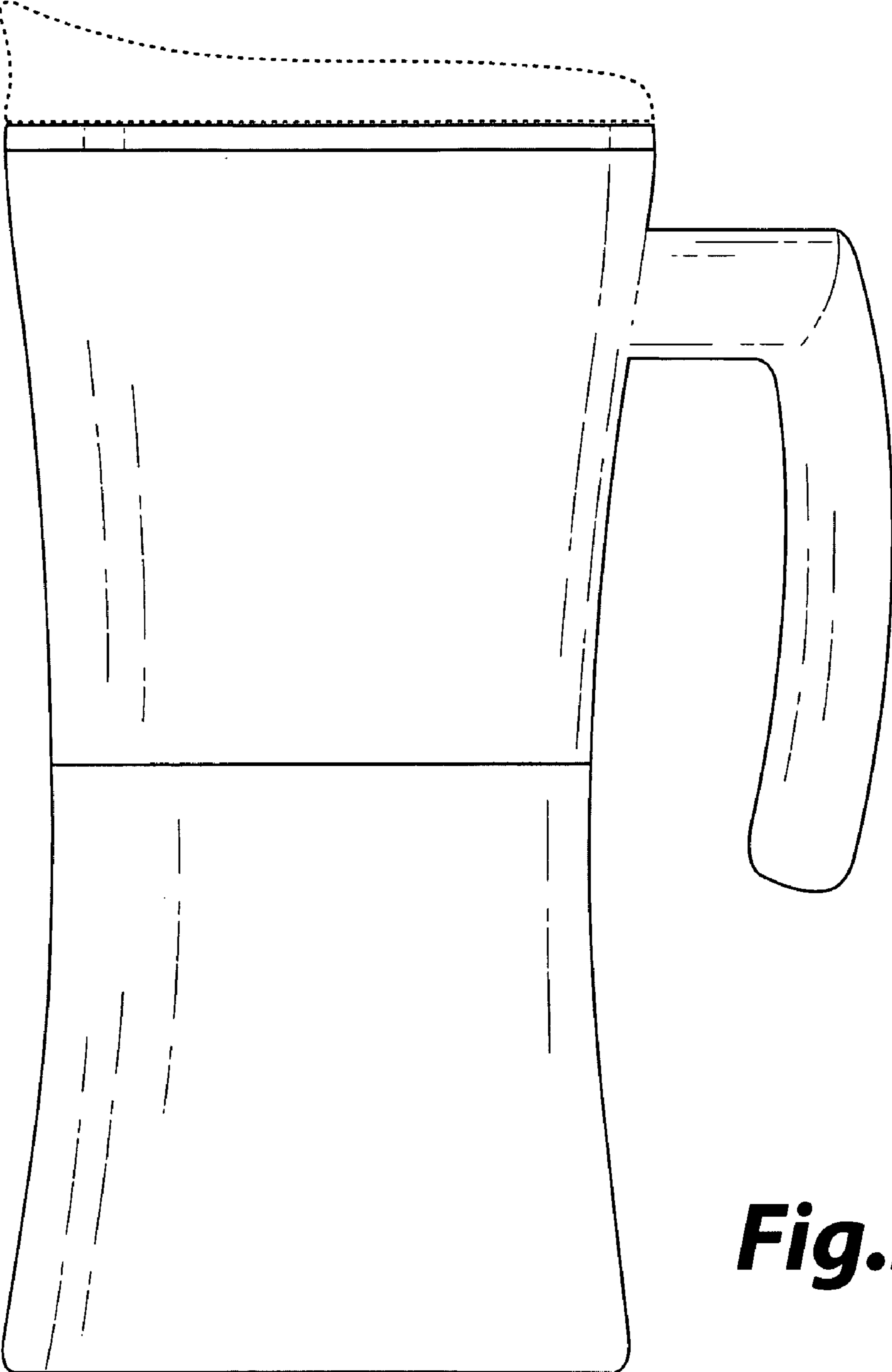


Fig. 2

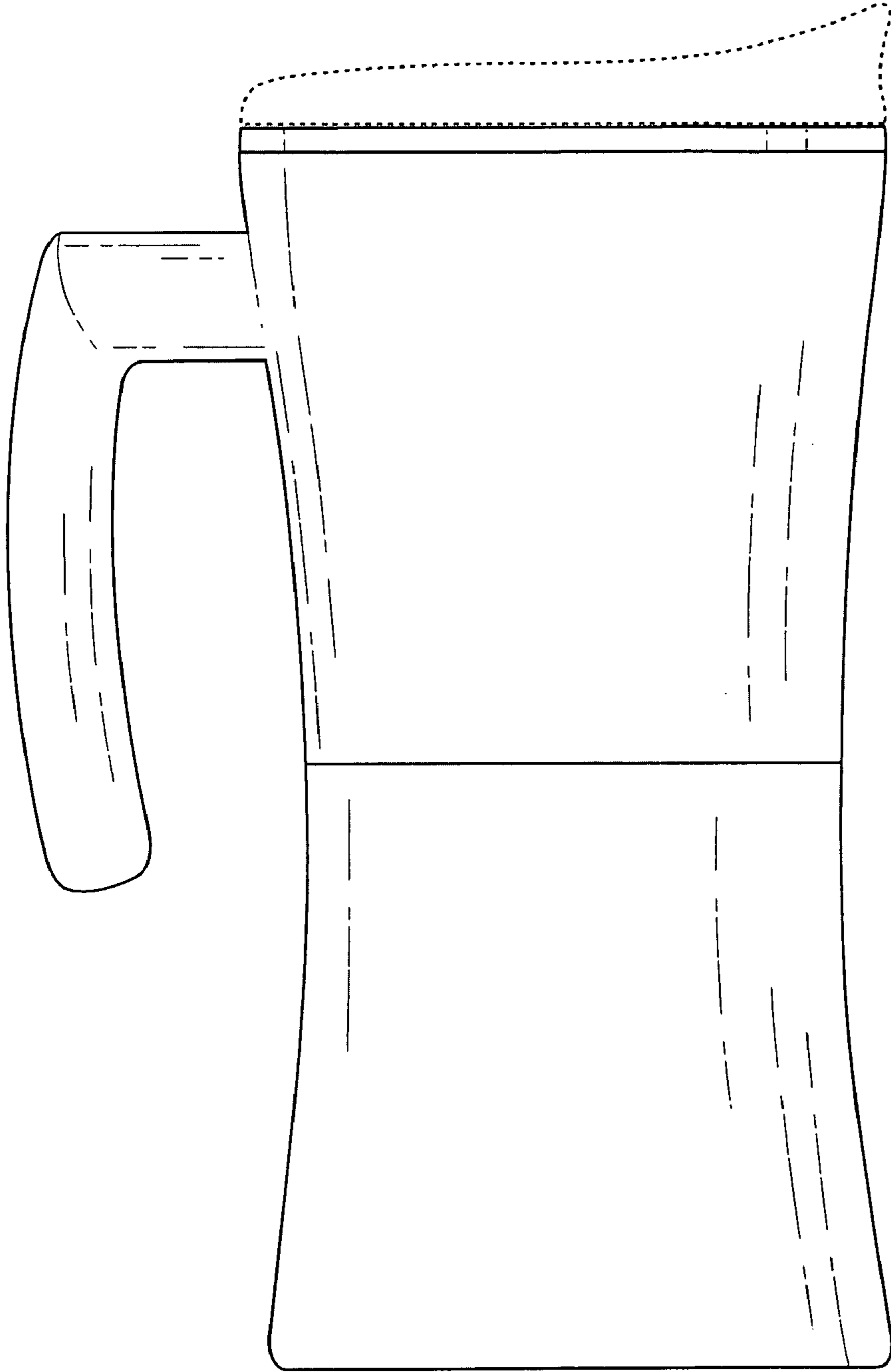


Fig.3

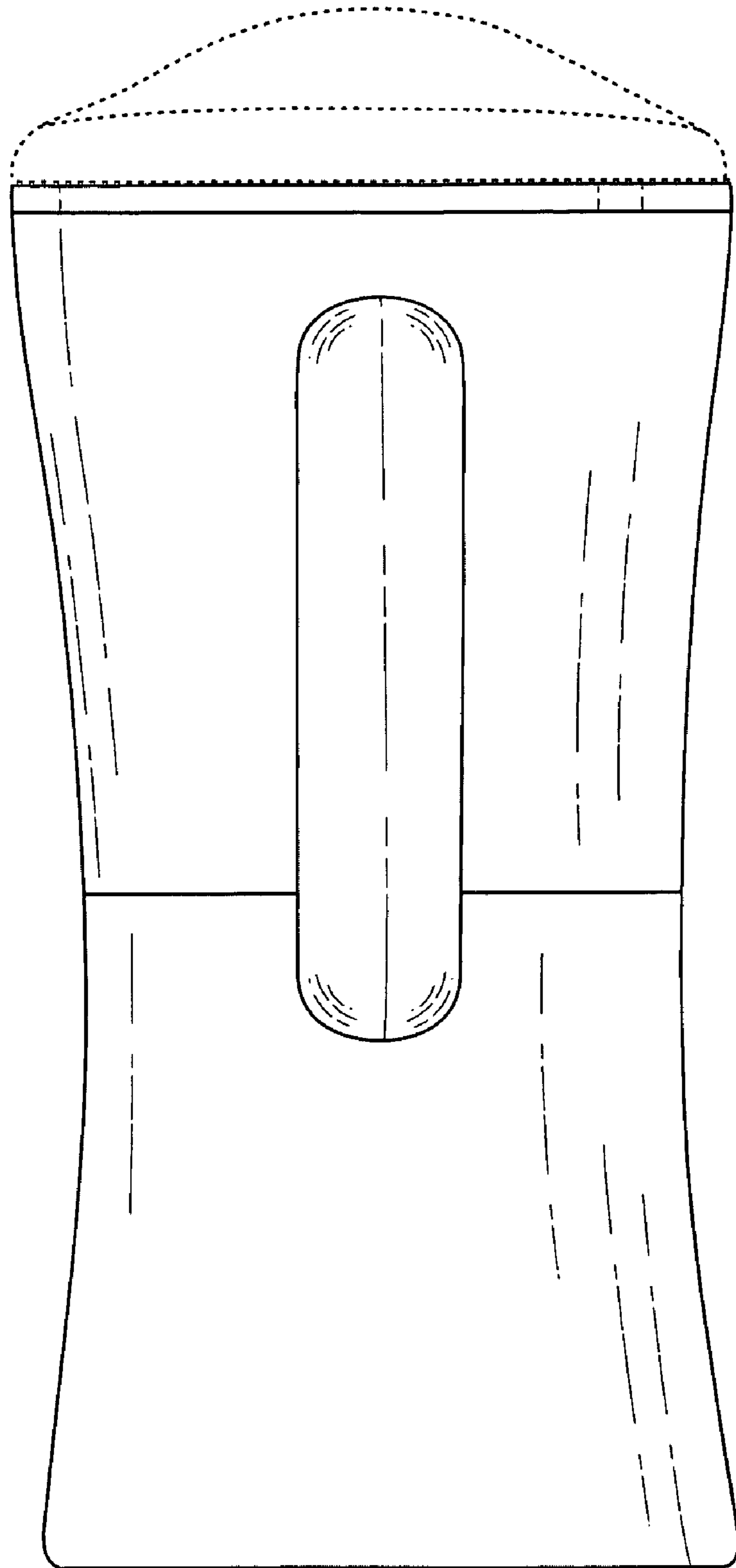


Fig.4

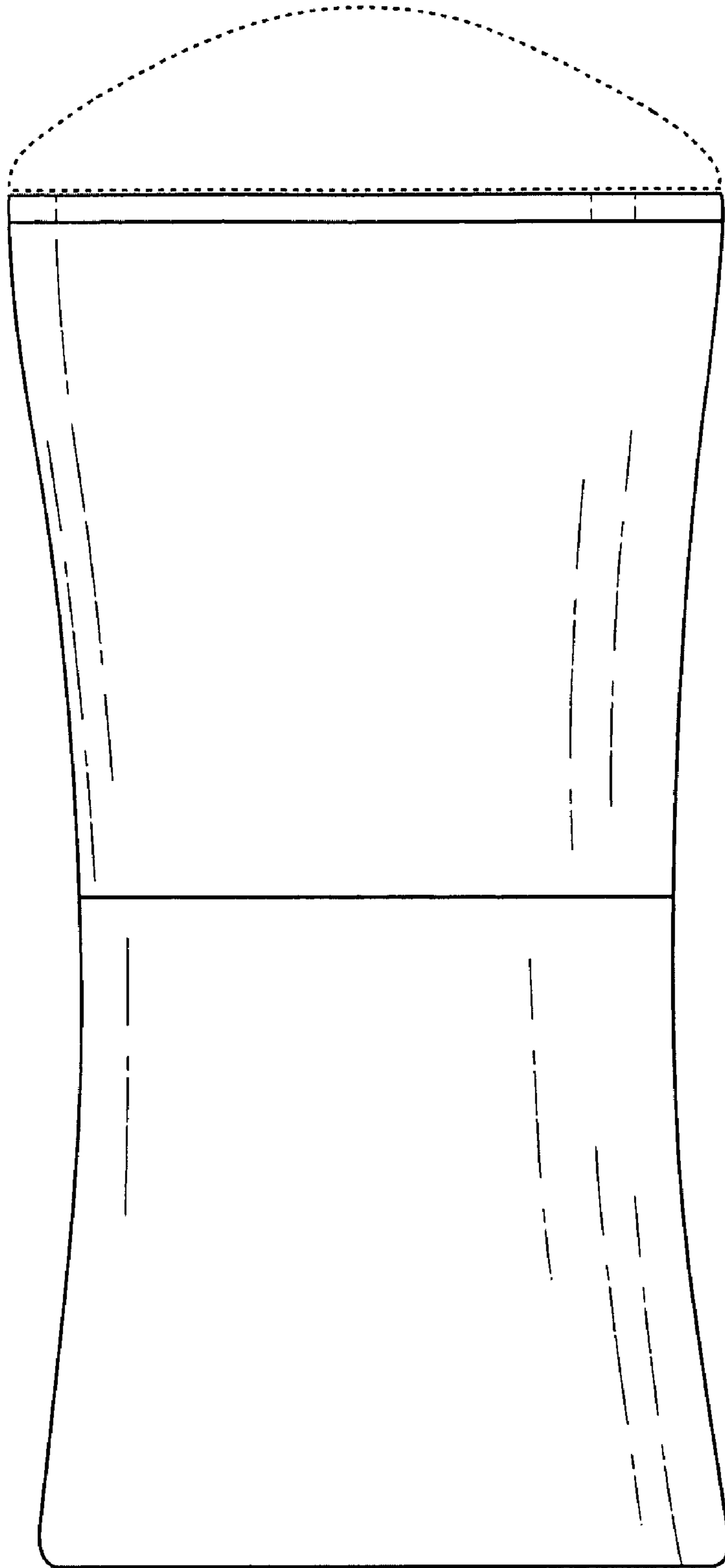


Fig.5

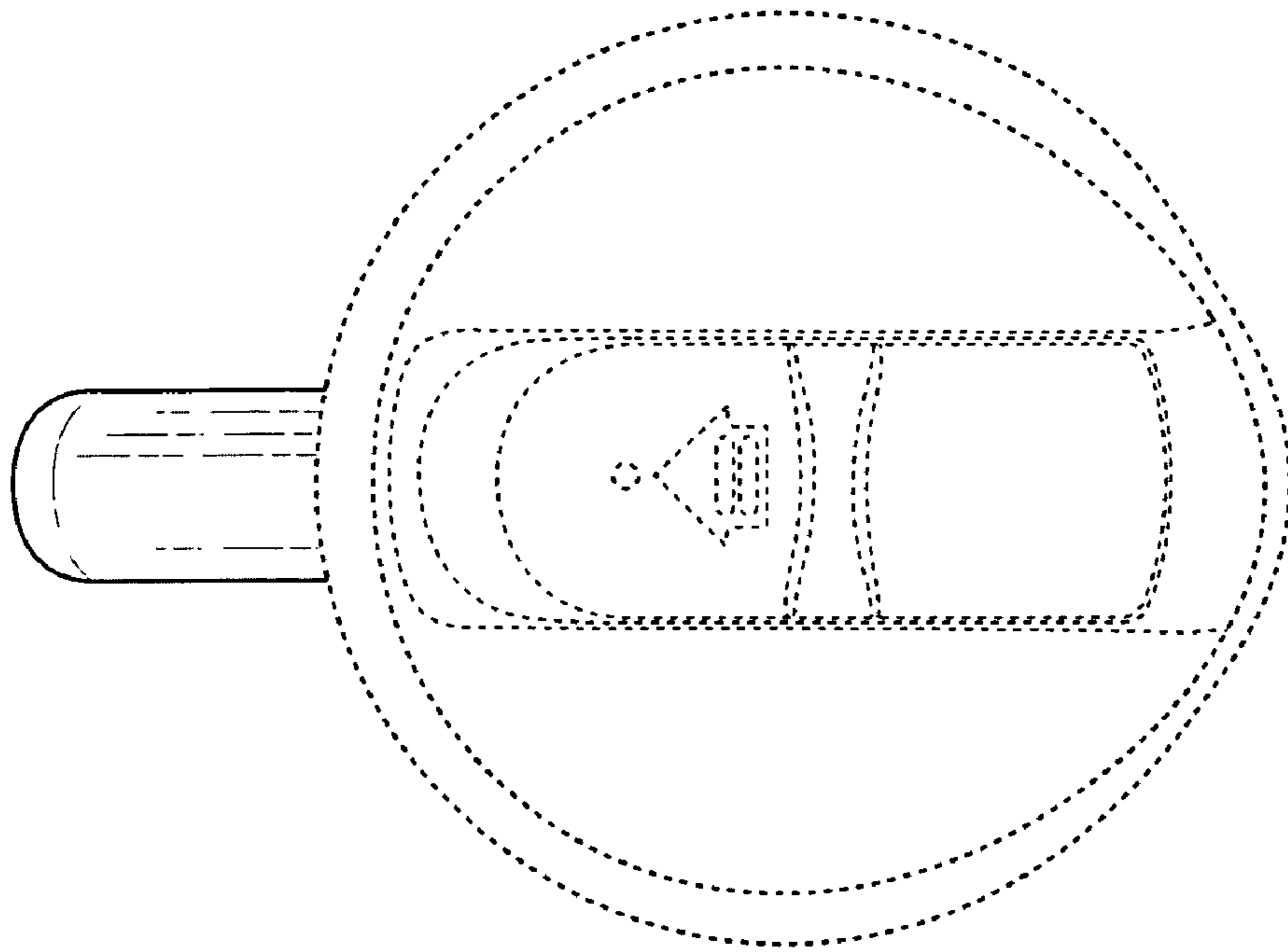


Fig. 6

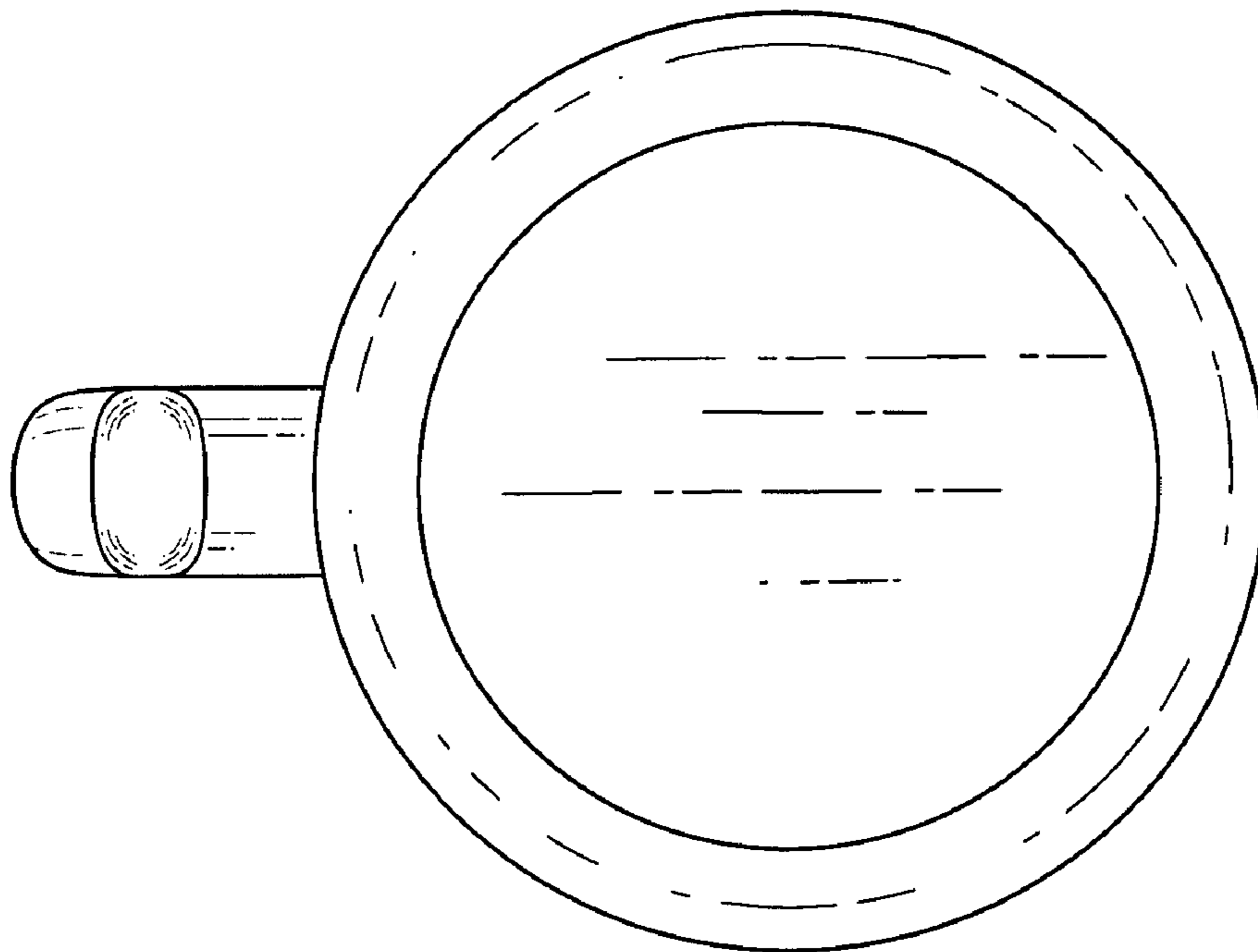


Fig. 7