

US00D571151S

(12) **United States Design Patent**
Lopez

(10) **Patent No.:** **US D571,151 S**
(45) **Date of Patent:** **** Jun. 17, 2008**

(54) **COCKTAIL SHAKER TUMBLER**

(76) Inventor: **Carlos Lopez**, 1201 Brickell Ave., -
Ste. 620, Miami, FL (US) 33131

(**) Term: **14 Years**

(21) Appl. No.: **29/268,062**

(22) Filed: **Oct. 27, 2006**

(51) **LOC (8) Cl.** **07-01**

(52) **U.S. Cl.** **D7/510; D7/511; D7/523;**
D7/300.1

(58) **Field of Classification Search** **D7/510,**
D7/511, 509, 523, 300.1, 608, 507; D9/557;
40/324; 222/211, 131; 215/229, 12.1; 220/592.17,
220/713, 711, 729, 715, 568, 189
See application file for complete search history.

(56) **References Cited**

U.S. PATENT DOCUMENTS

1,740,223	A *	12/1929	Burvenick	220/568
2,013,616	A *	9/1935	Rettenmeyer	220/568
D437,230	S *	2/2001	Andrew	D9/516
D483,982	S *	12/2003	Irvine	D7/300.1
D528,861	S *	9/2006	Herrera	D7/510
D530,154	S *	10/2006	Zerillo et al.	D7/533
D537,676	S *	3/2007	Kingsley	D7/510

D545,624	S *	7/2007	Tien	D7/523
D546,125	S *	7/2007	Bhavnani	D7/523
D547,122	S *	7/2007	Gluck	D7/523
D547,610	S *	7/2007	Edelstein et al.	D7/511

* cited by examiner

Primary Examiner—Marianne Pandozzi

(74) *Attorney, Agent, or Firm*—Alberto A. Leon, Esq.;
Bauman, Dow & Leon P.C.

(57) **CLAIM**

The ornamental design of a cocktail shaker tumbler, as shown and described.

DESCRIPTION

FIG. 1 is a perspective view of a cocktail shaker tumbler showing my new design;

FIG. 2 is an exploded perspective view thereof;

FIG. 3 is a front elevational view thereof;

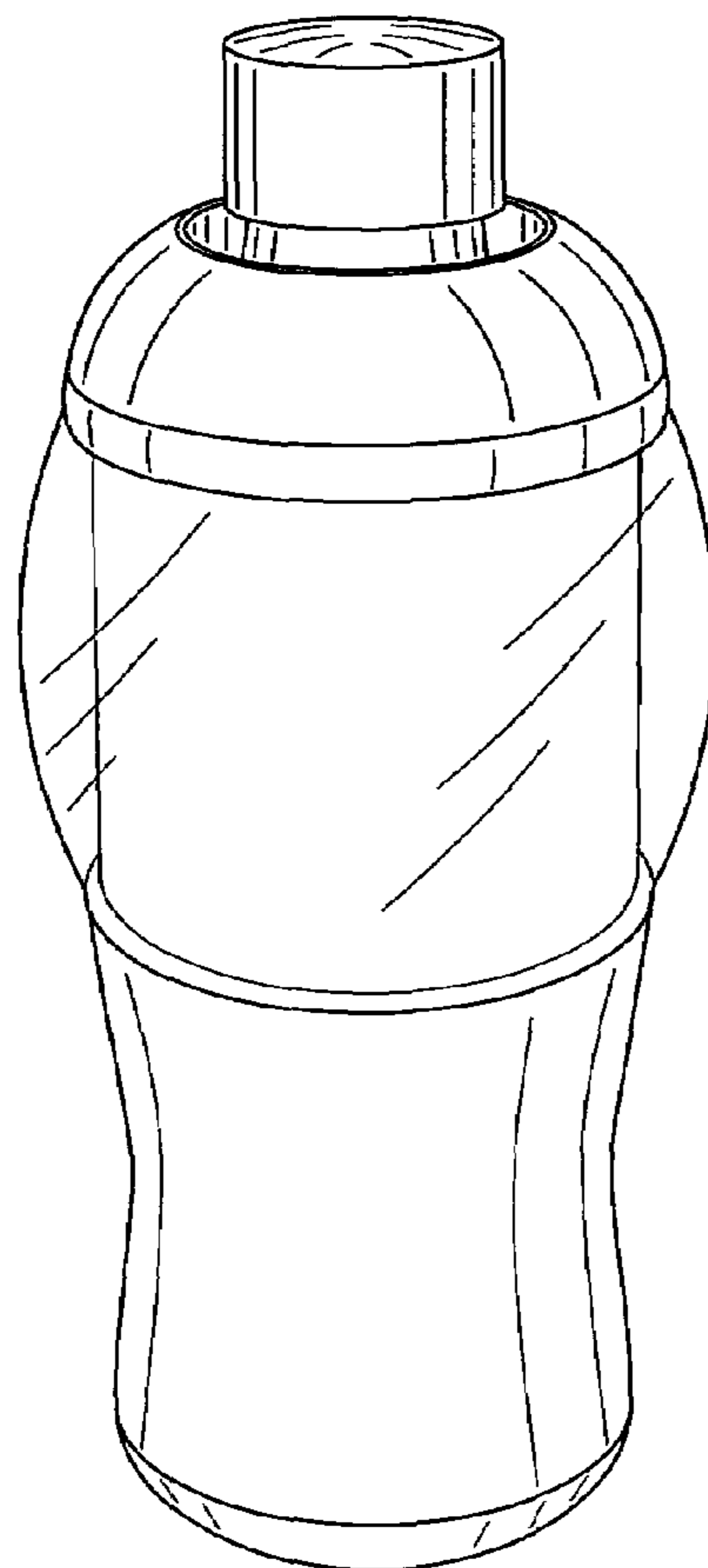
FIG. 4 is an exploded perspective view thereof;

FIG. 5 is an enlarged bottom plain view thereof;

FIG. 6 is an enlarged top plain view thereof; and,

FIG. 7 is an enlarged top plain view with the cap removed for ease of illustration.

1 Claim, 5 Drawing Sheets



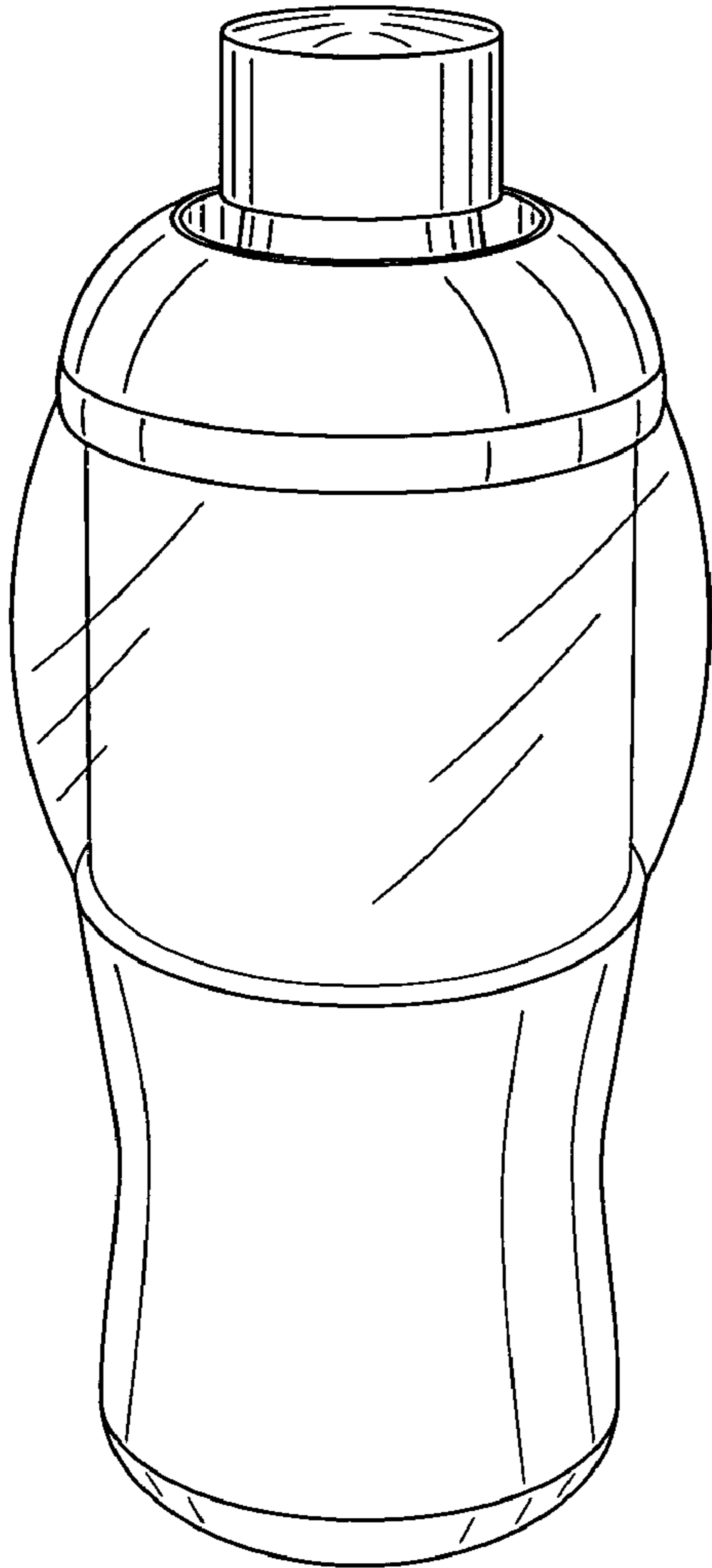


FIG. 1

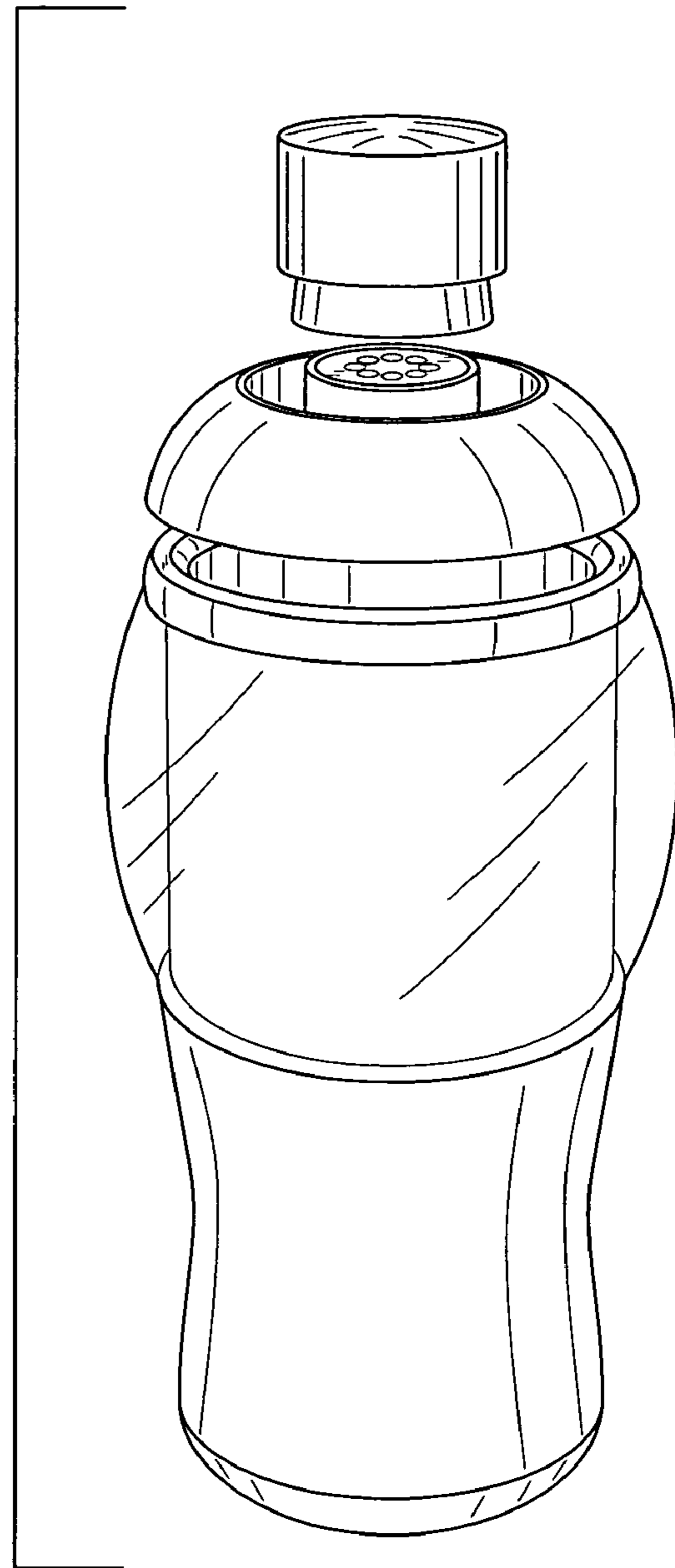


FIG. 2

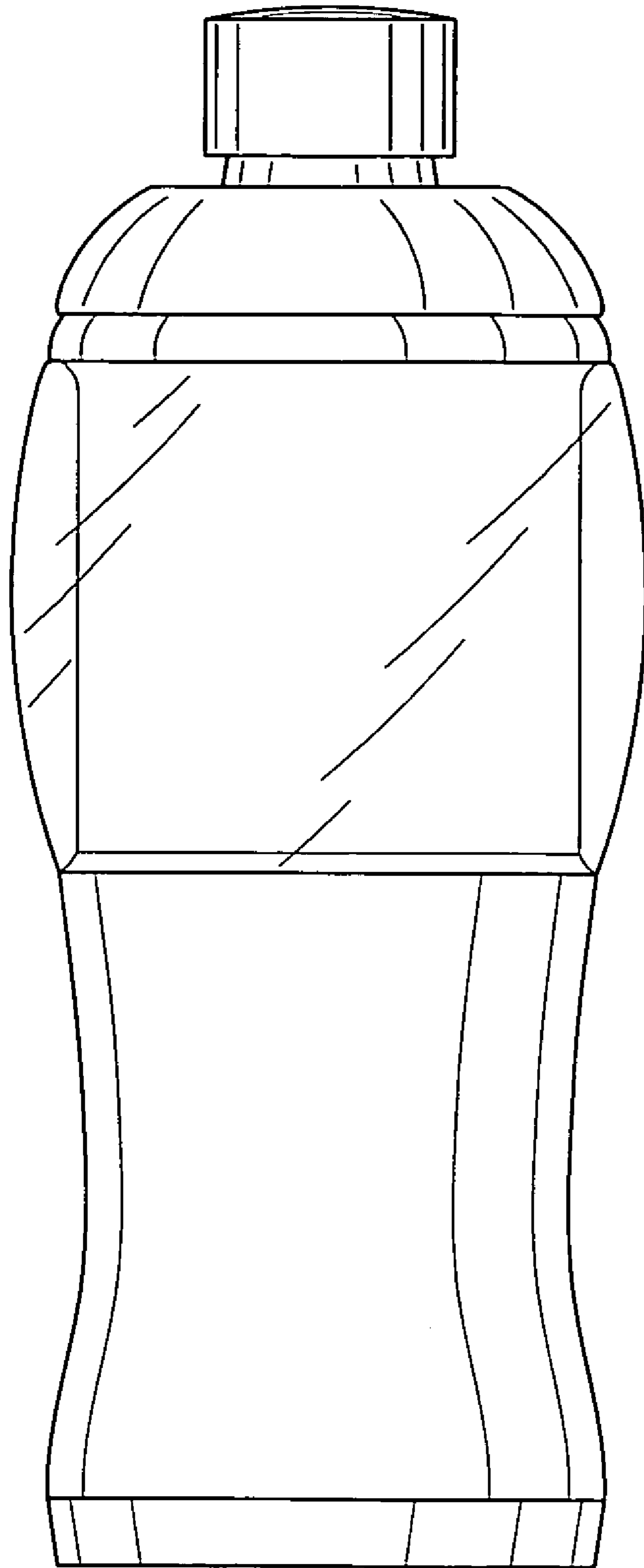


FIG. 3

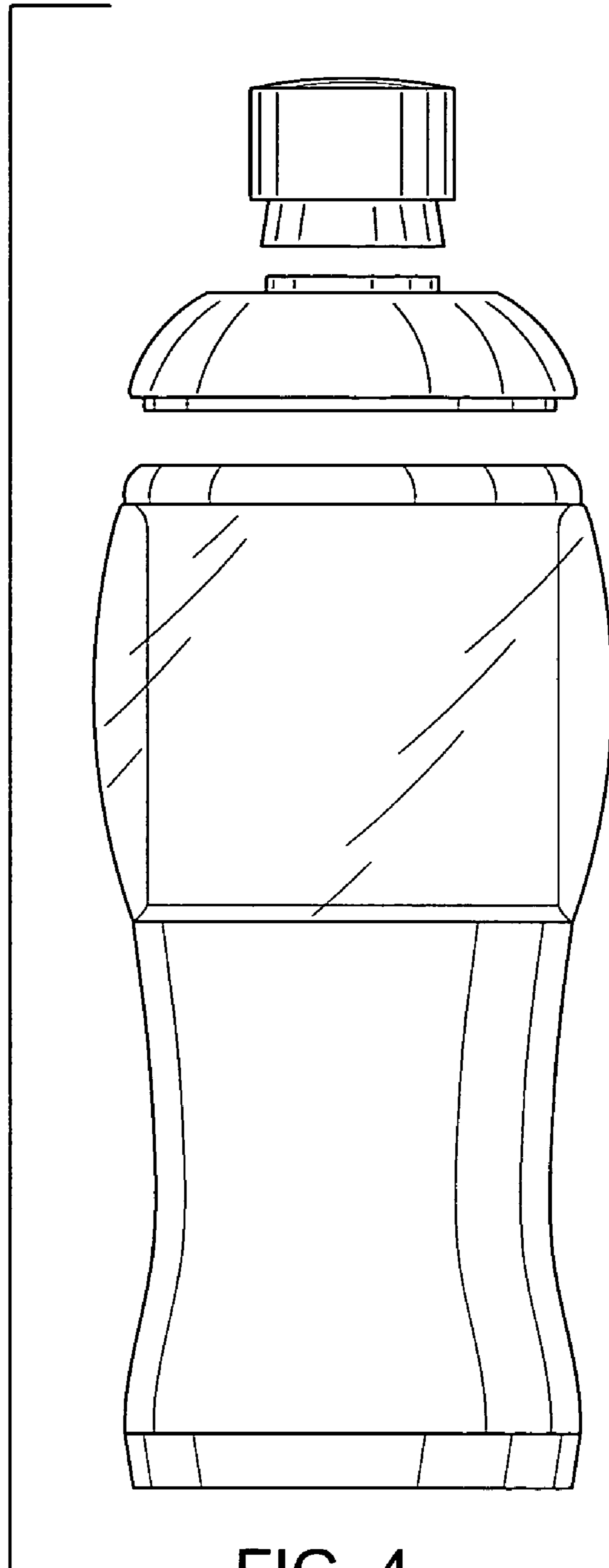


FIG. 4

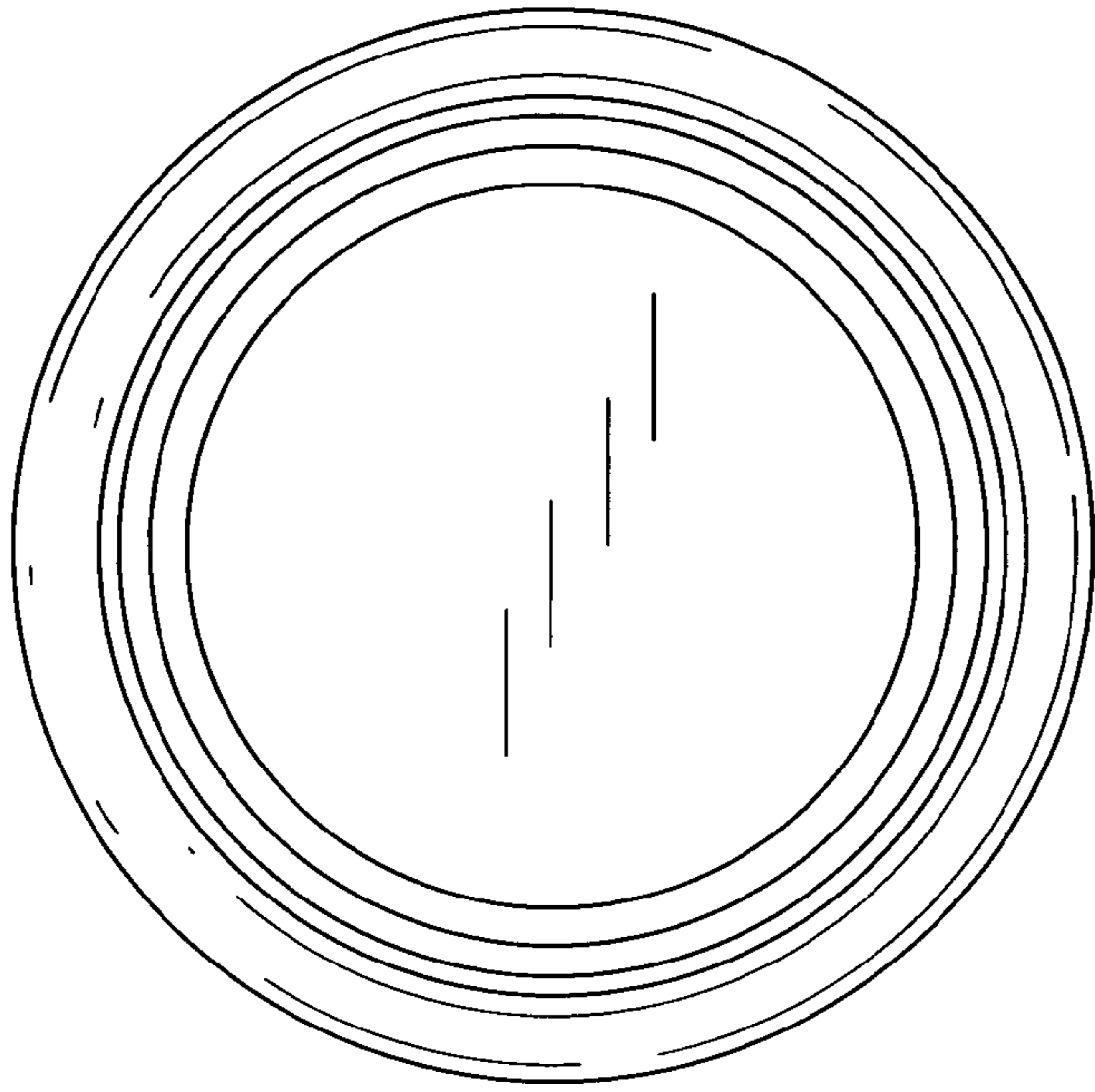


FIG. 5

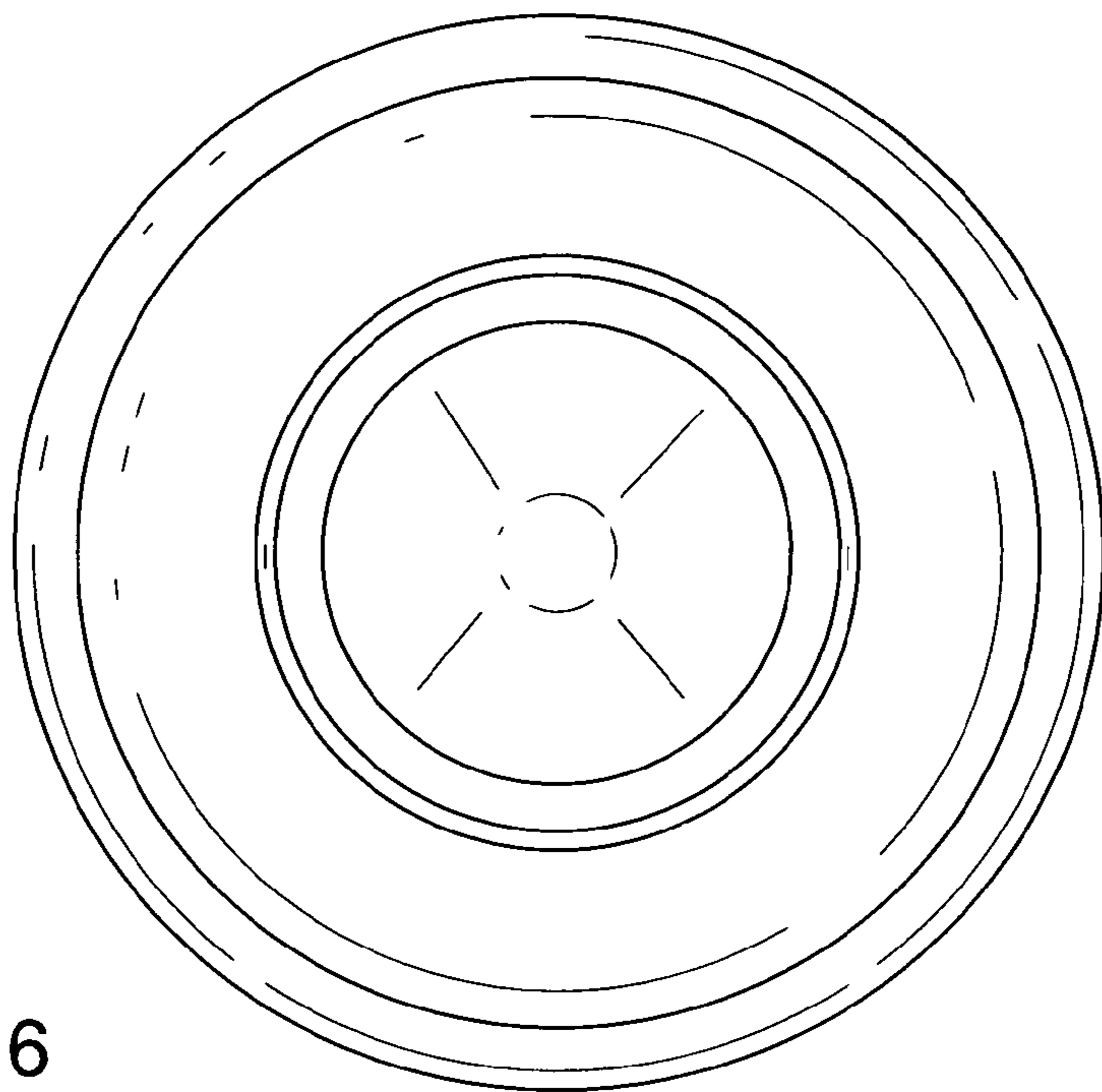


FIG. 6

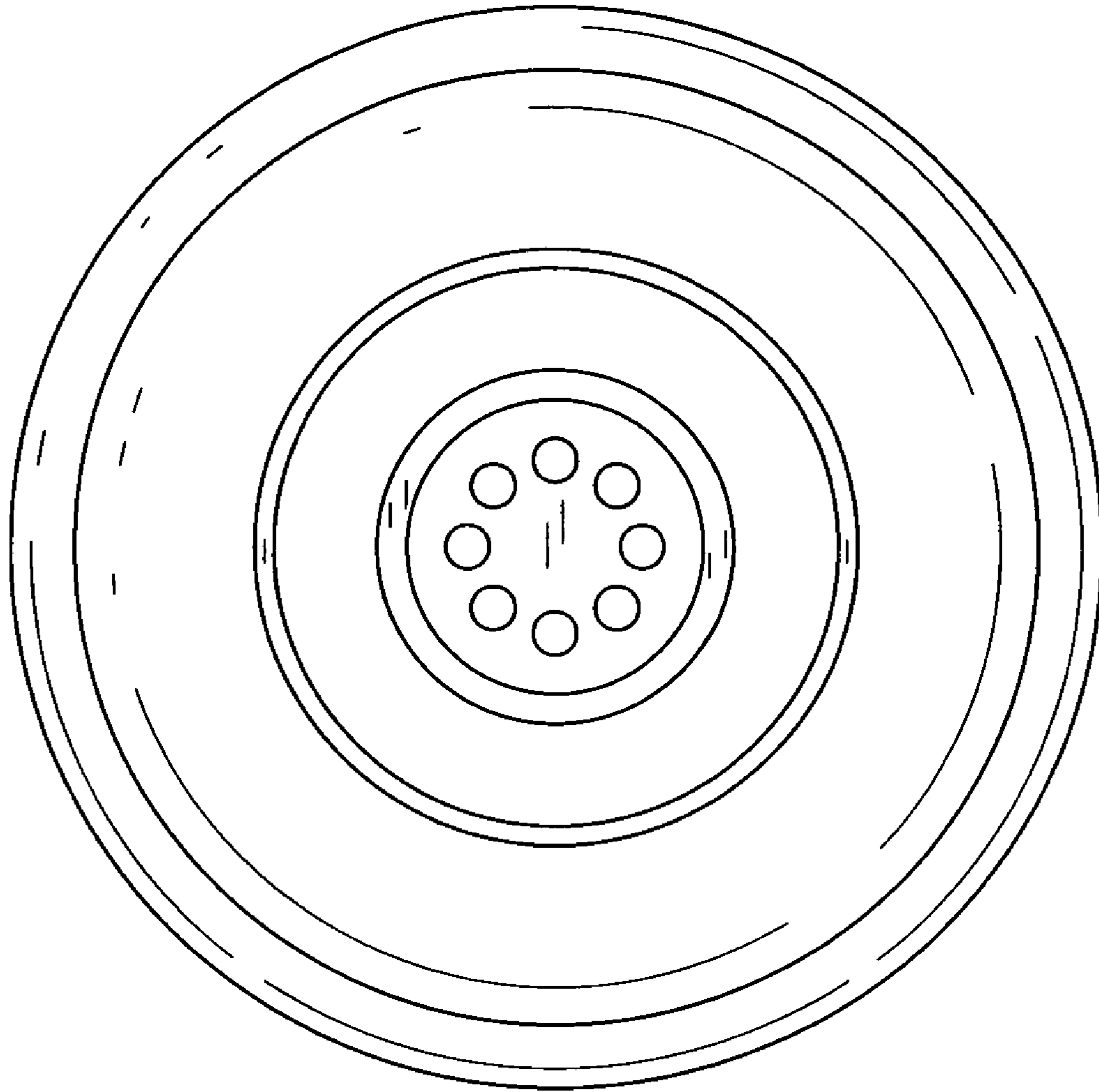


FIG. 7