



US00D571149S

(12) **United States Design Patent**
Crookshanks

(10) **Patent No.:** **US D571,149 S**
(45) **Date of Patent:** **** Jun. 17, 2008**

(54) **PORTION OF AN APPLIANCE**

D530,561 S * 10/2006 Kim D7/351
D541,578 S * 5/2007 Jeon D7/350.1
D566,465 S * 4/2008 Crookshanks D7/405

(75) Inventor: **Kent Allen Stephen Crookshanks,**
Anderson, SC (US)

* cited by examiner

(73) Assignee: **Electrolux Home Products, Inc.,**
Cleveland, OH (US)

Primary Examiner—Ruth McInroy
(74) *Attorney, Agent, or Firm*—Banner & Witcoff, Ltd.

(**) Term: **14 Years**

(57) **CLAIM**

(21) Appl. No.: **29/297,495**

The ornamental design for a portion of an appliance, as shown and described.

(22) Filed: **Nov. 13, 2007**

(51) **LOC (8) Cl.** **07-02**

(52) **U.S. Cl.** **D7/405**

(58) **Field of Classification Search** D7/350.1,
D7/350.3, 350.4, 351, 402, 405; 126/19 M,
126/21 R, 275 E, 273 A; 219/757, 758
See application file for complete search history.

DESCRIPTION

FIG. 1 is a front perspective view of a portion of an appliance showing my new design;

FIG. 2 is a front view thereof;

FIG. 3 is a right side view thereof;

FIG. 4 is a left side view thereof;

FIG. 5 is a top view thereof; and,

FIG. 6 is a bottom view thereof.

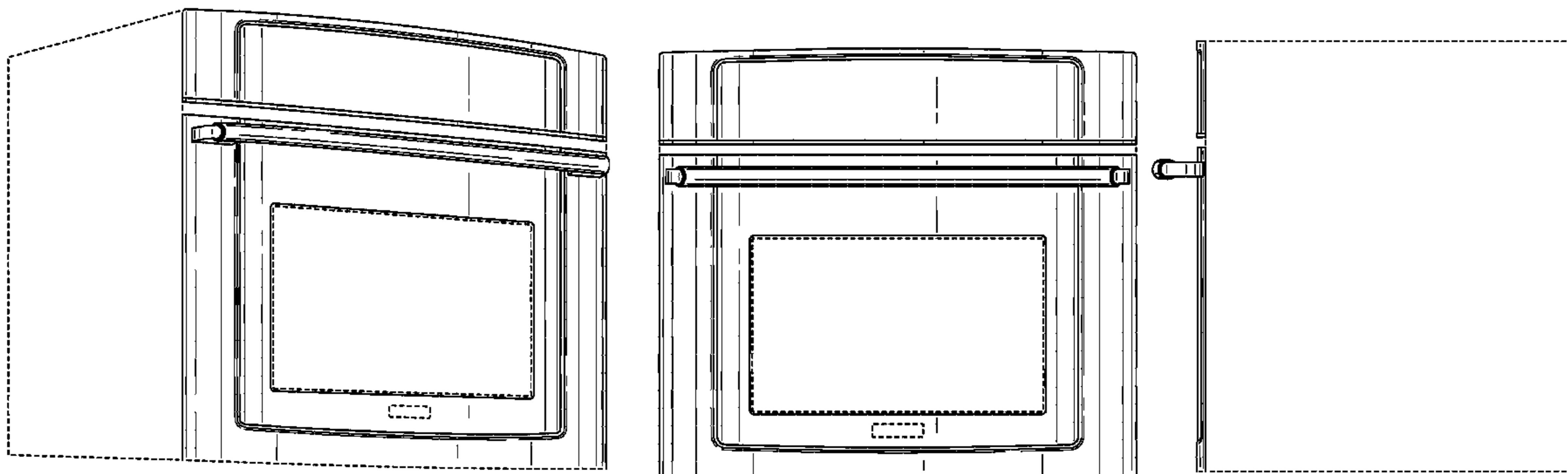
The broken line showing of various regions, including the unshaded areas therein, is for illustrative purposes and forms no part of the claimed design.

(56) **References Cited**

U.S. PATENT DOCUMENTS

D379,734 S * 6/1997 Baldwin D7/405
D468,579 S * 1/2003 Sakai et al. D7/351
D495,556 S * 9/2004 Milrud et al. D7/405
D521,805 S * 5/2006 Hessen et al. D7/405
D525,477 S * 7/2006 Kim D7/351
D527,572 S * 9/2006 Lee et al. D7/350.1

1 Claim, 5 Drawing Sheets



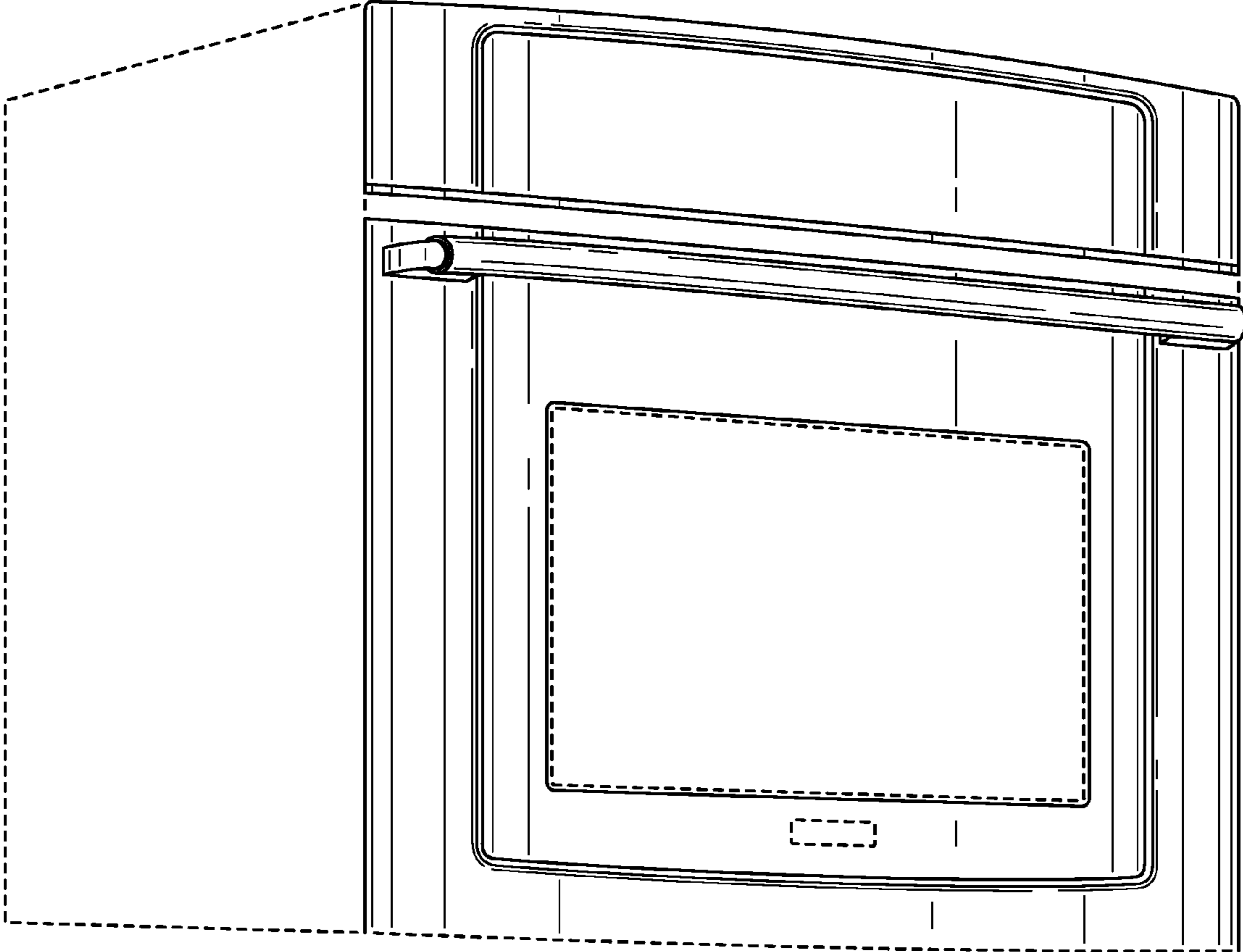


FIG. 1

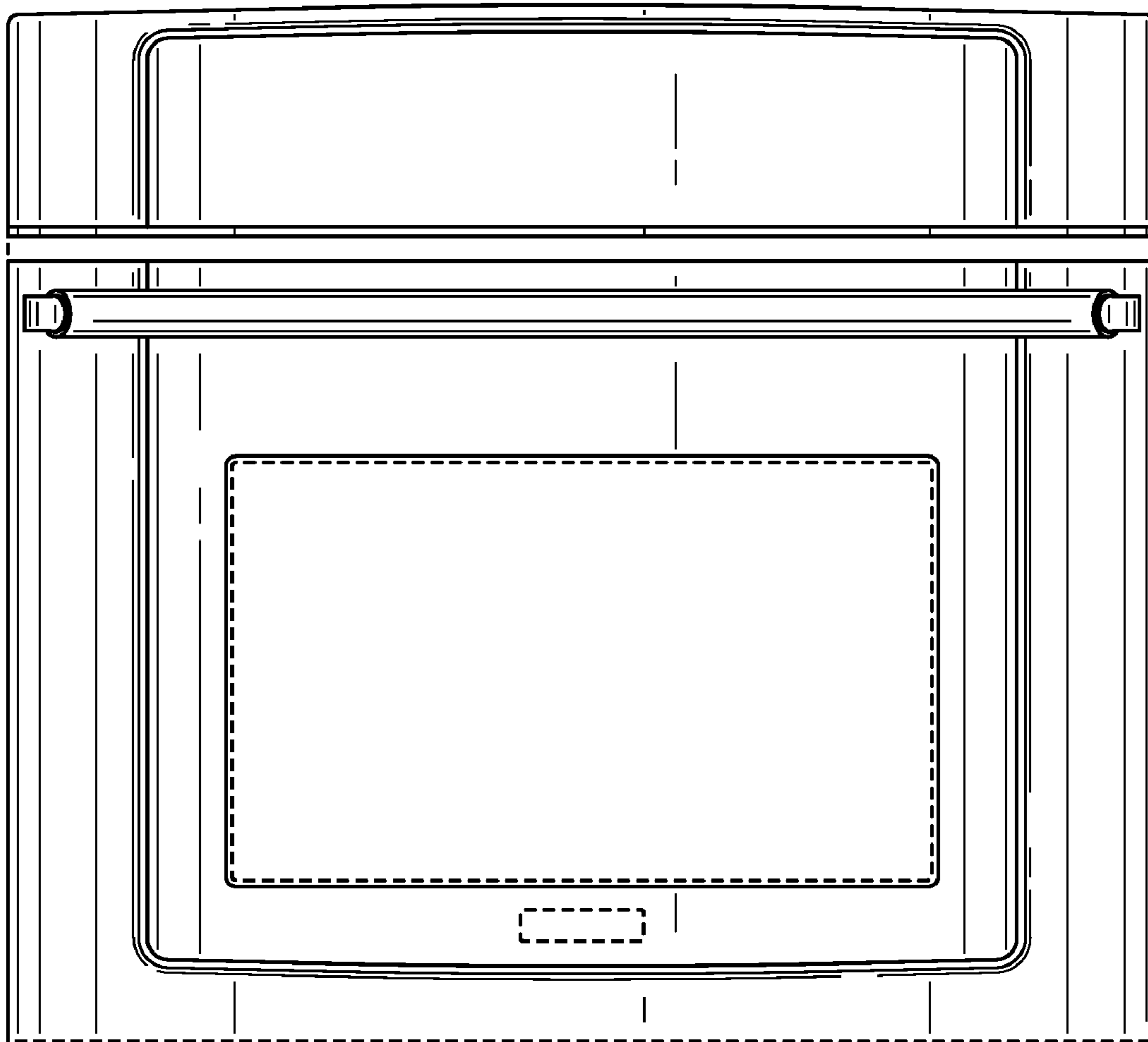


FIG. 2

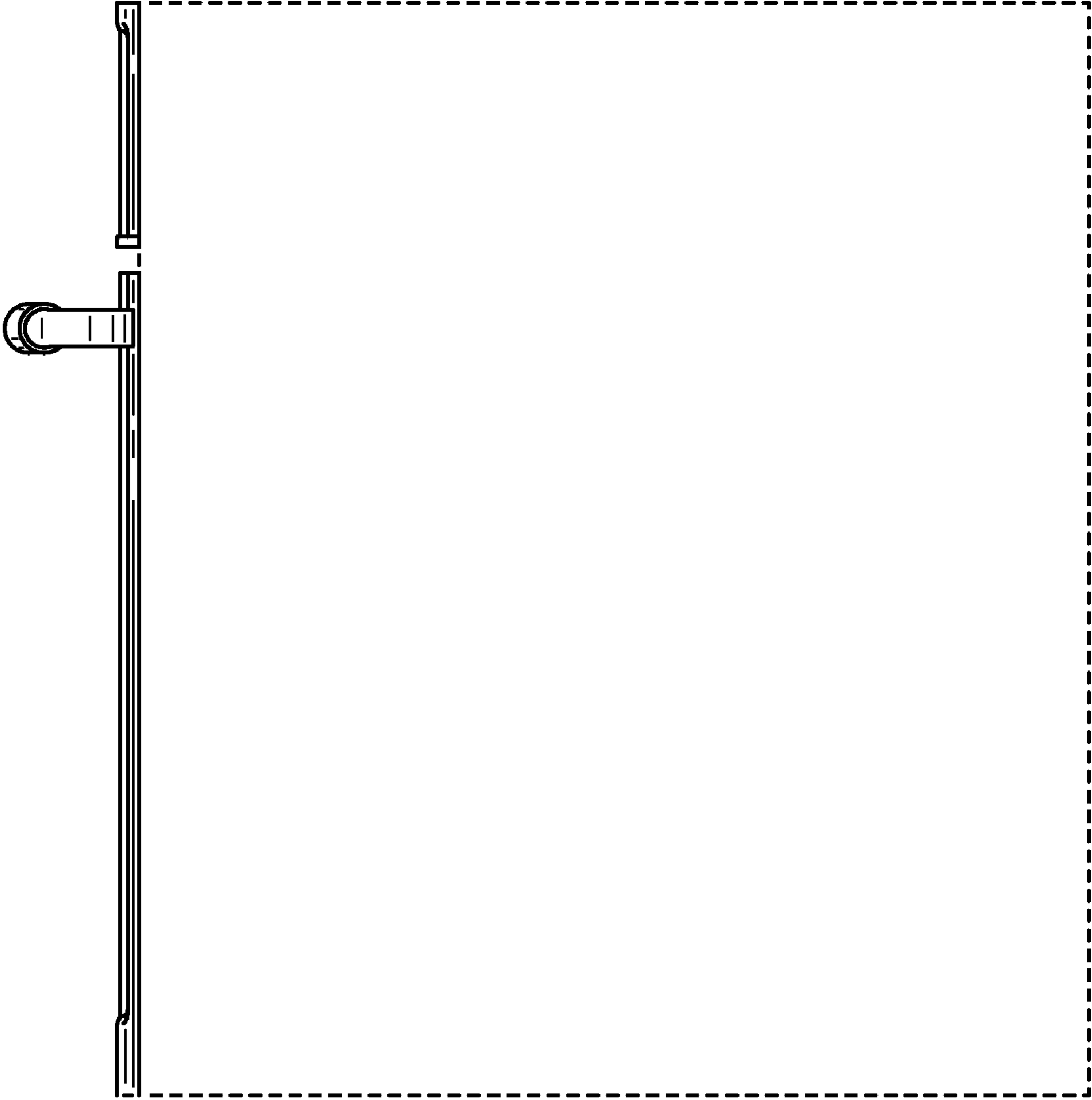


FIG. 3

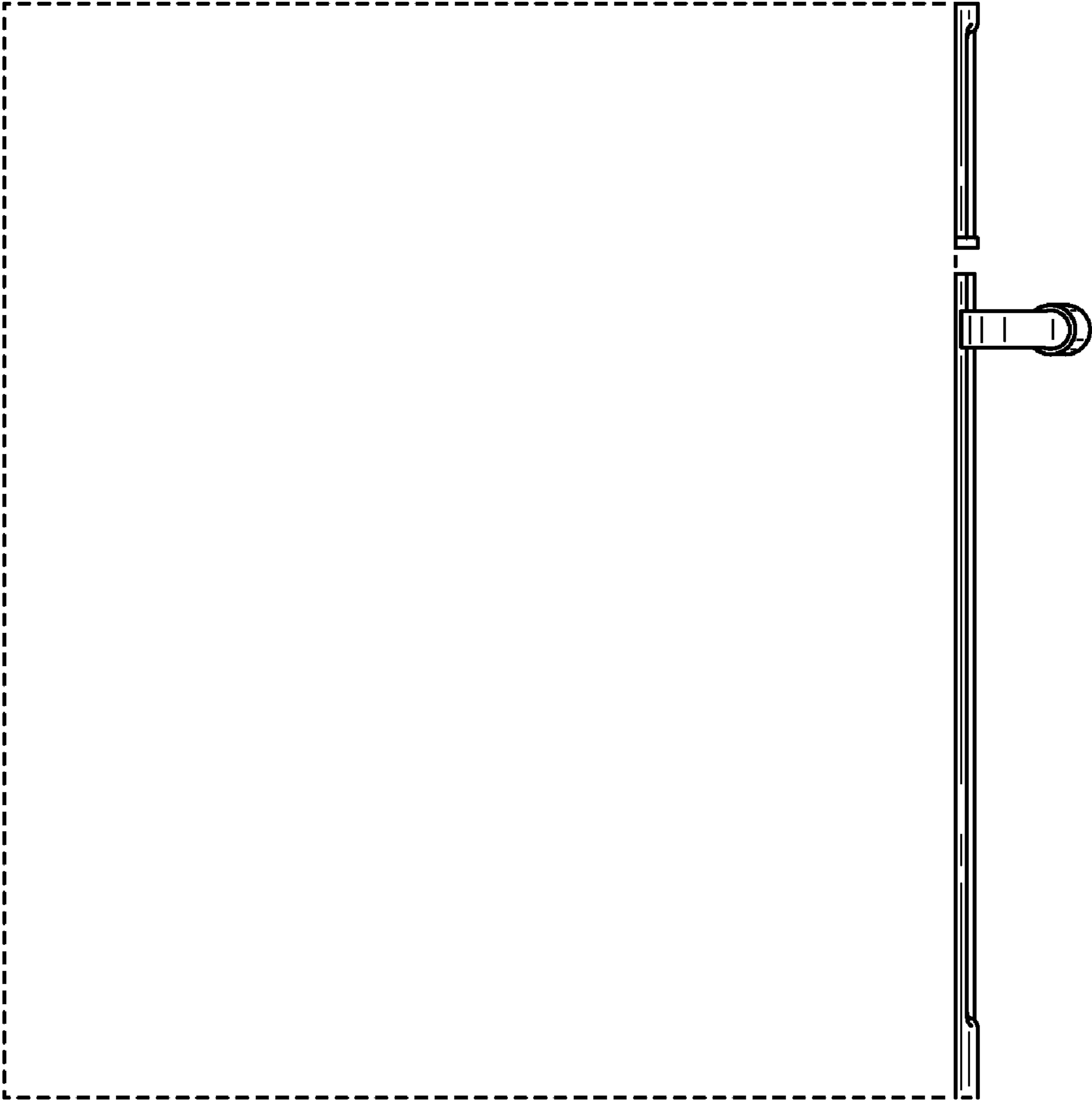


FIG. 4

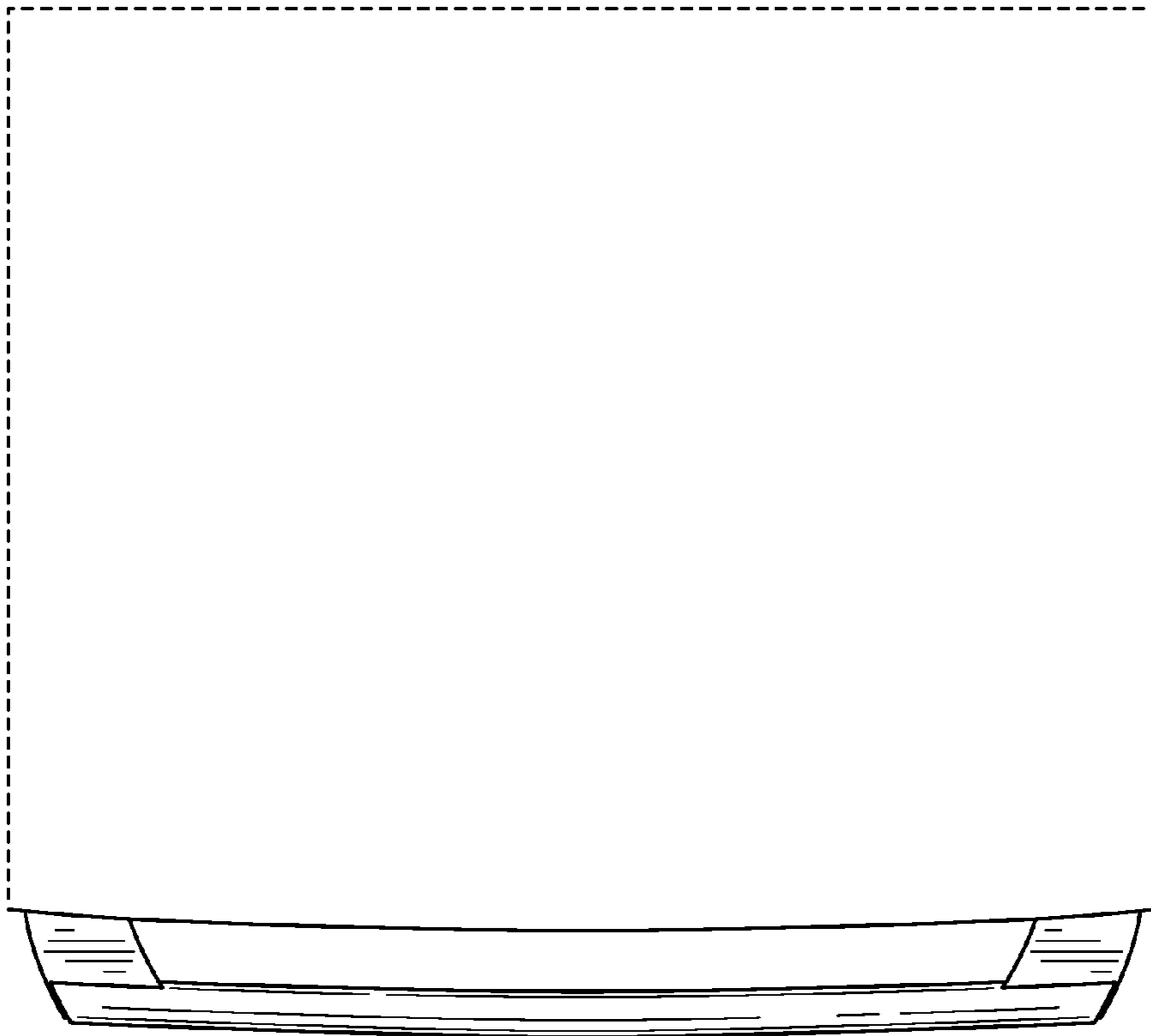


FIG. 5

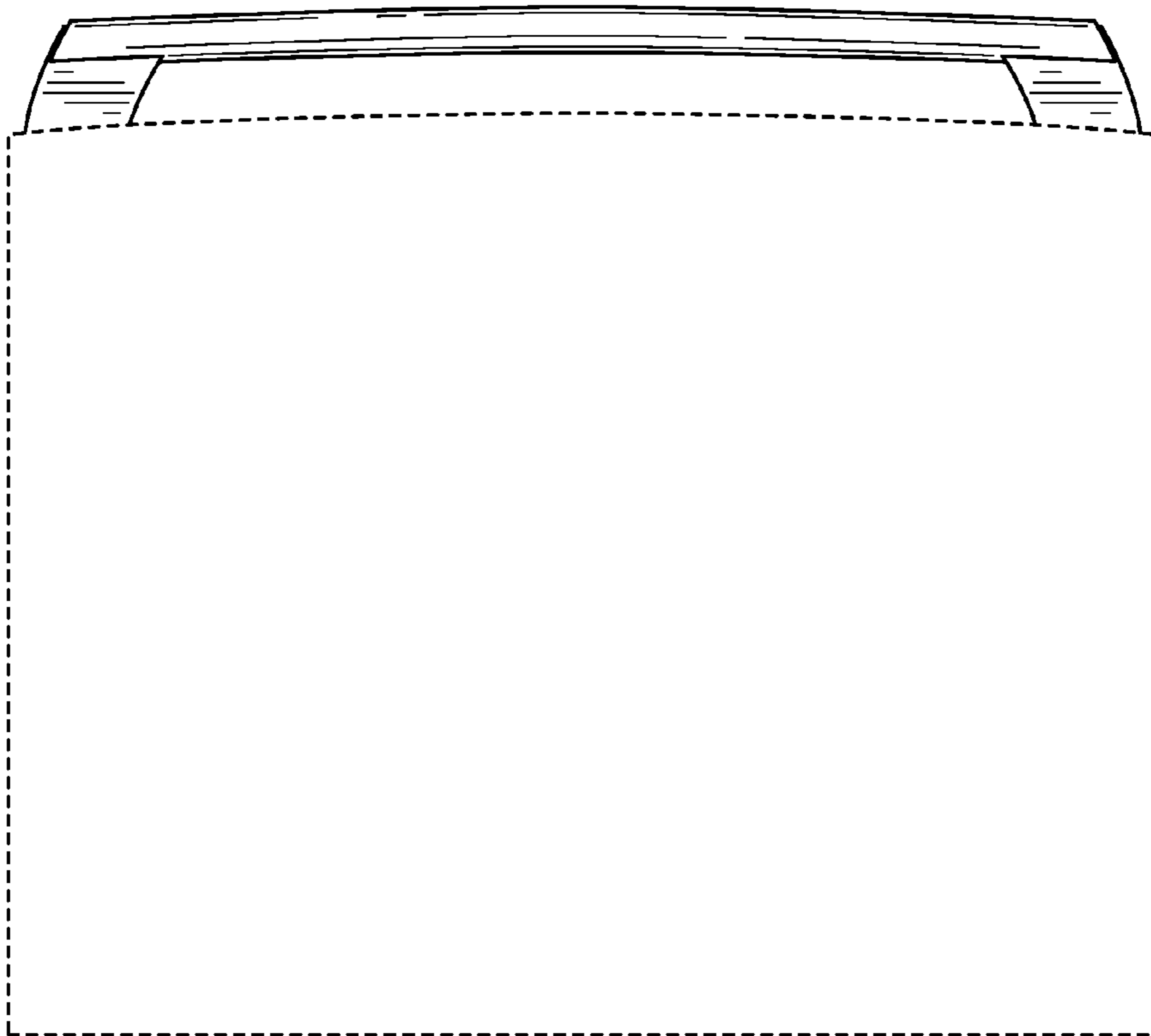


FIG. 6