



US00D571148S

(12) **United States Design Patent**  
**Munari**

(10) **Patent No.:** **US D571,148 S**  
(45) **Date of Patent:** **\*\* Jun. 17, 2008**

(54) **SAUCEPAN HANDLE**

(75) Inventor: **Marco Munari**, Cardano Al Campo (IT)

(73) Assignee: **La Termoplastico F.B.M - S.r.l.**, Arsago  
Seprio (IT)

(\*\*) Term: **14 Years**

(21) Appl. No.: **29/252,766**

(22) Filed: **Jan. 27, 2006**

(30) **Foreign Application Priority Data**

Jul. 29, 2005 (EM) ..... 000378799

(51) **LOC (8) Cl.** ..... **07-06**

(52) **U.S. Cl.** ..... **D7/393**

(58) **Field of Classification Search** ..... D7/354-357,  
D7/359-361, 393-395; D8/107, 307, 300,  
D8/380, 382, 363; 16/430, 431, 110.1, 407,  
16/422-426; 220/573.1-573.5, 752, 753,  
220/755-759, 762, 767-769; 248/689, 251,  
248/525, 254, 261, 318; D4/138, 129  
See application file for complete search history.

(56) **References Cited**

**U.S. PATENT DOCUMENTS**

4,413,767 A \* 11/1983 Hellinger ..... 228/136  
D419,427 S \* 1/2000 Mulder ..... D8/363  
D421,710 S \* 3/2000 Hajek ..... D8/363

D421,711 S \* 3/2000 Hajek ..... D8/363  
D430,789 S \* 9/2000 Opperman ..... D8/363  
D433,278 S \* 11/2000 LoGiudice ..... D7/395  
D433,618 S \* 11/2000 Bredemeier ..... D8/363  
D512,602 S \* 12/2005 Spagnolo ..... D7/395  
D527,579 S \* 9/2006 Park ..... D7/393  
D545,116 S \* 6/2007 Wasserman et al. .... D7/354

\* cited by examiner

*Primary Examiner*—Holly H. Baynham

*Assistant Examiner*—Cynthia M Chin

(74) *Attorney, Agent, or Firm*—Berenato, White & Stavish

(57) **CLAIM**

The ornamental design for a saucepan handle, as shown and described.

**DESCRIPTION**

FIG. 1 is a front/bottom perspective view of a saucepan handle showing my new design;

FIG. 2 is rear/top perspective view thereof;

FIG. 3 is a right side view thereof (the left side view being symmetrical);

FIG. 4 is a top view thereof;

FIG. 5 is a front view thereof;

FIG. 6 is a rear view thereof; and,

FIG. 7 is a bottom view thereof.

**1 Claim, 2 Drawing Sheets**

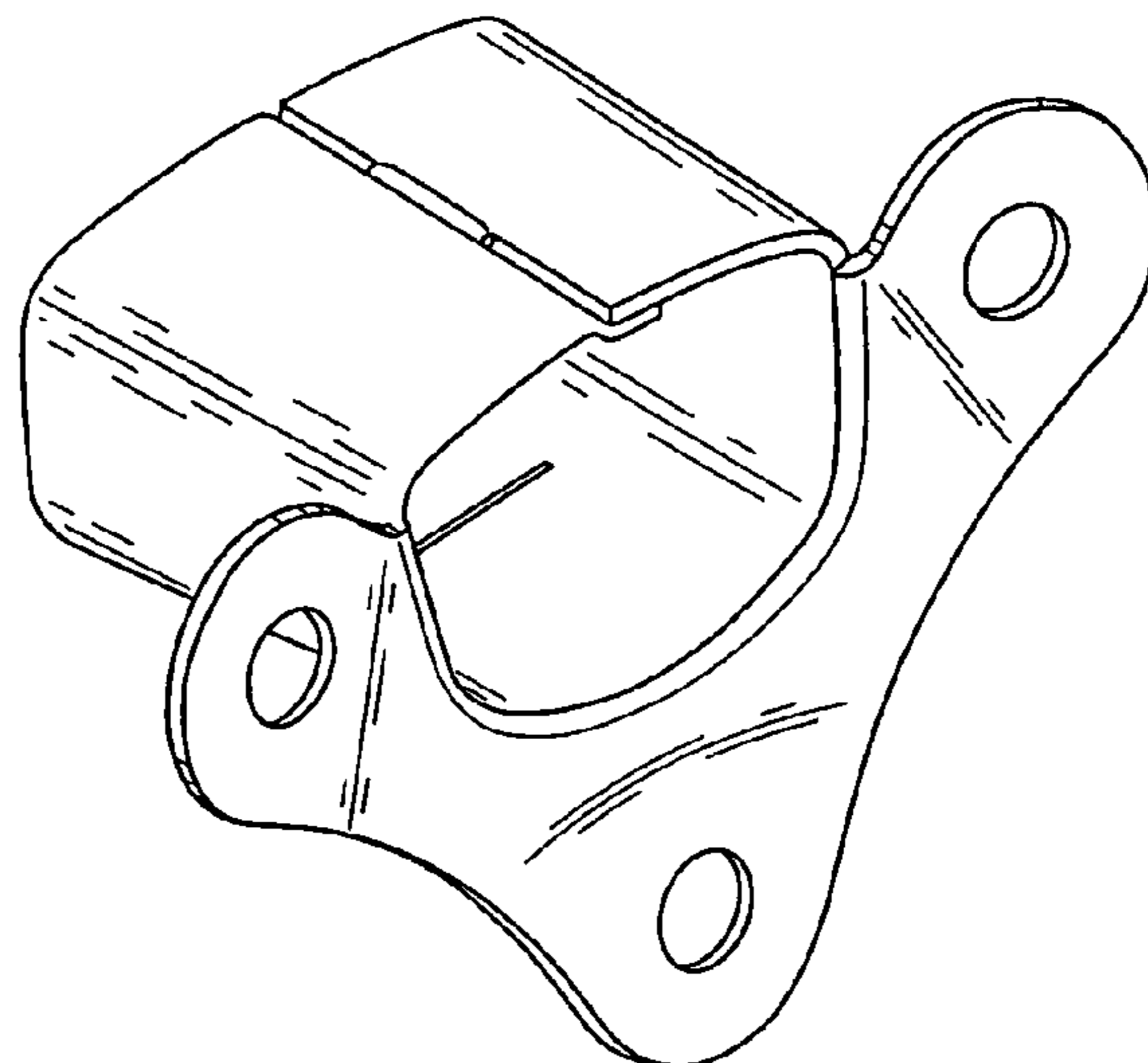
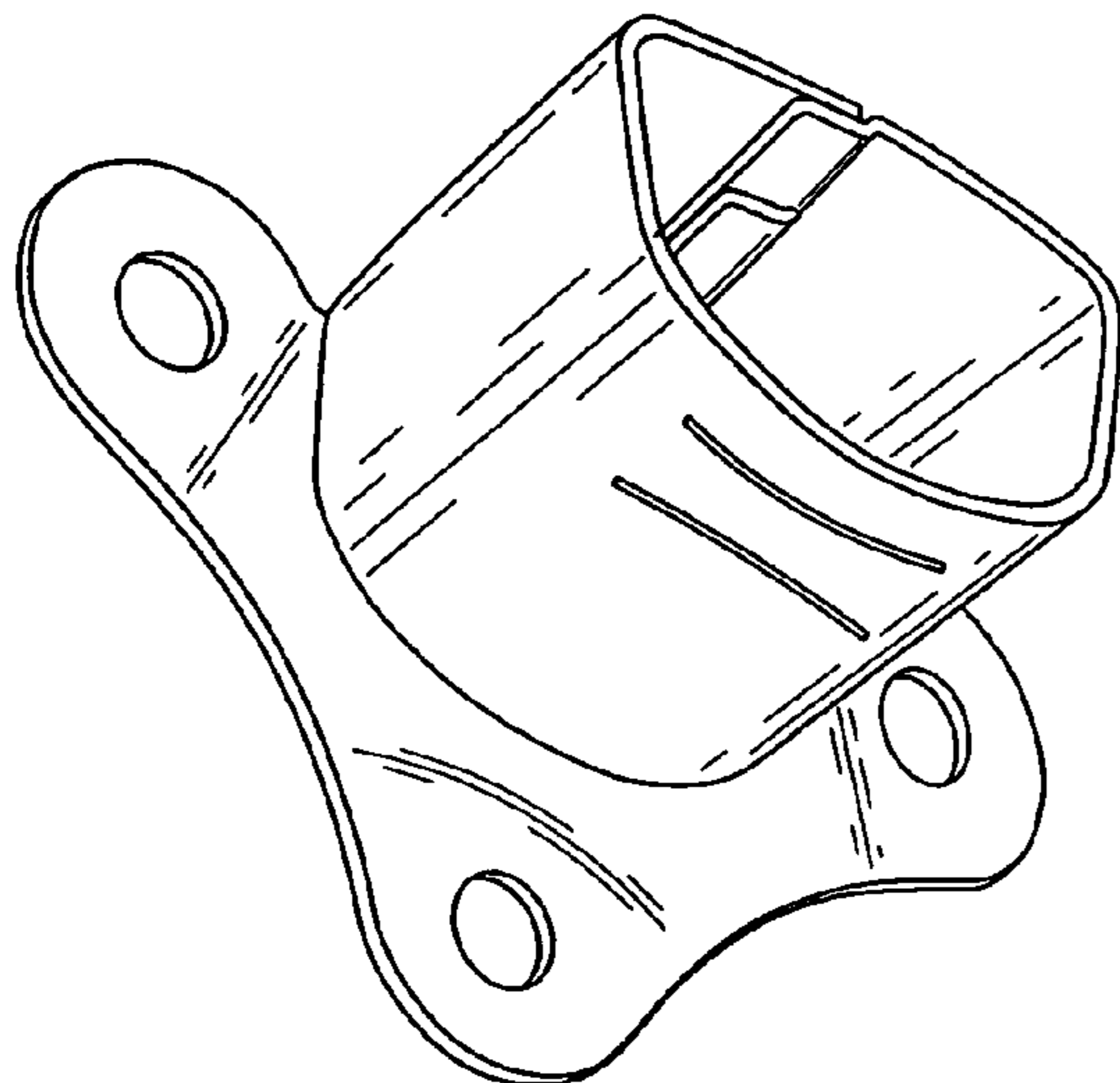


Fig. 1

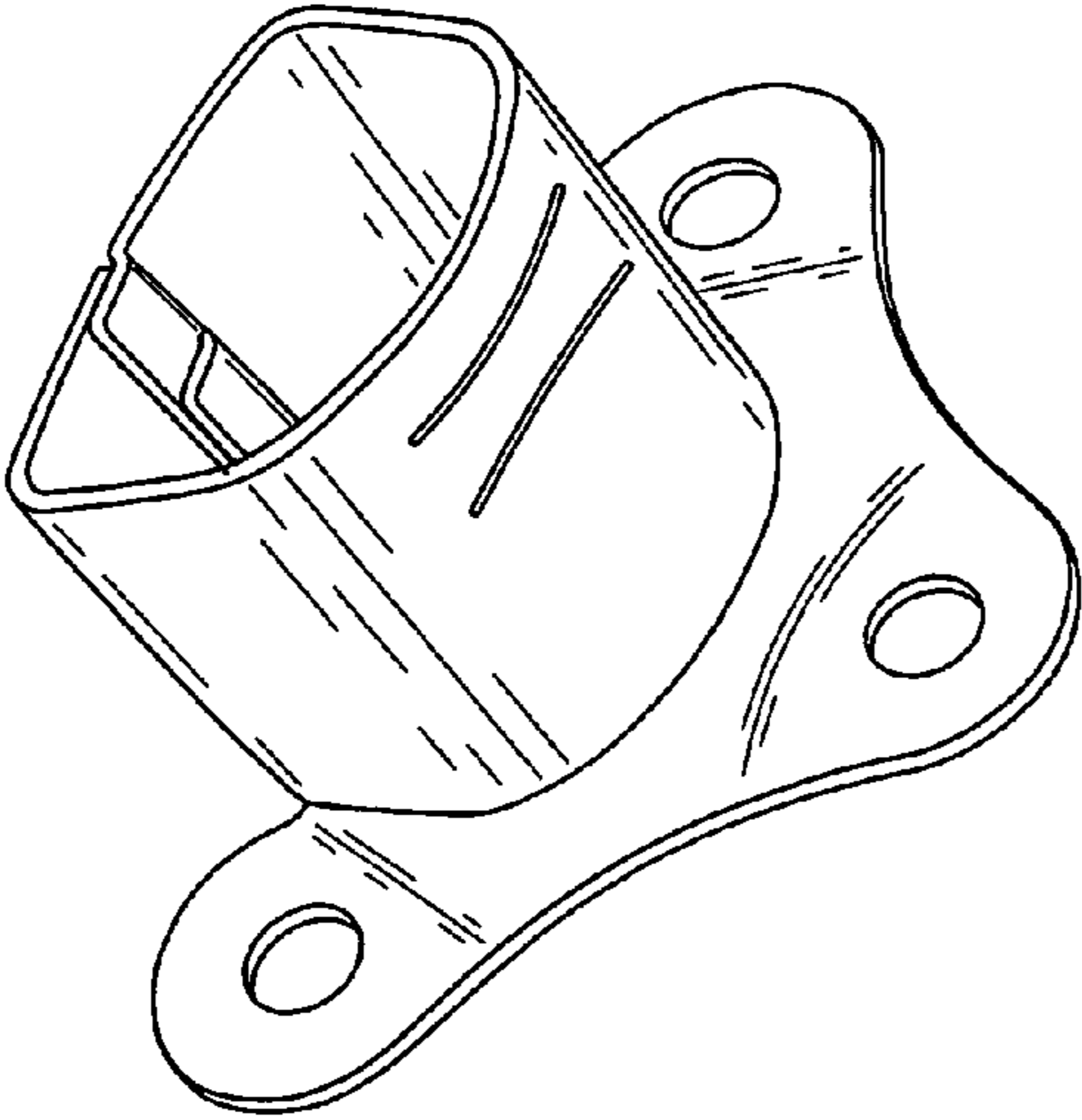


Fig. 2

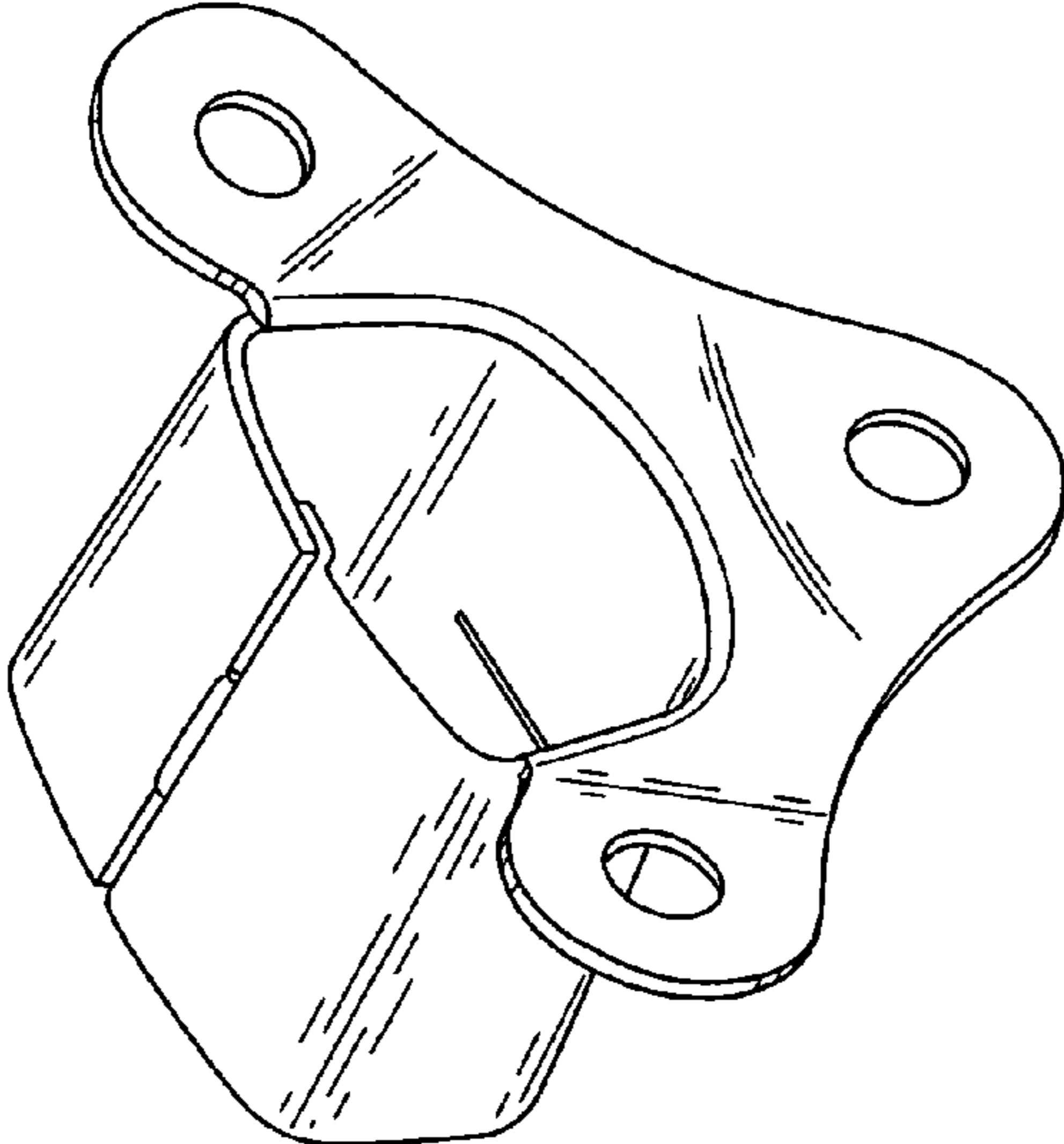


Fig. 3

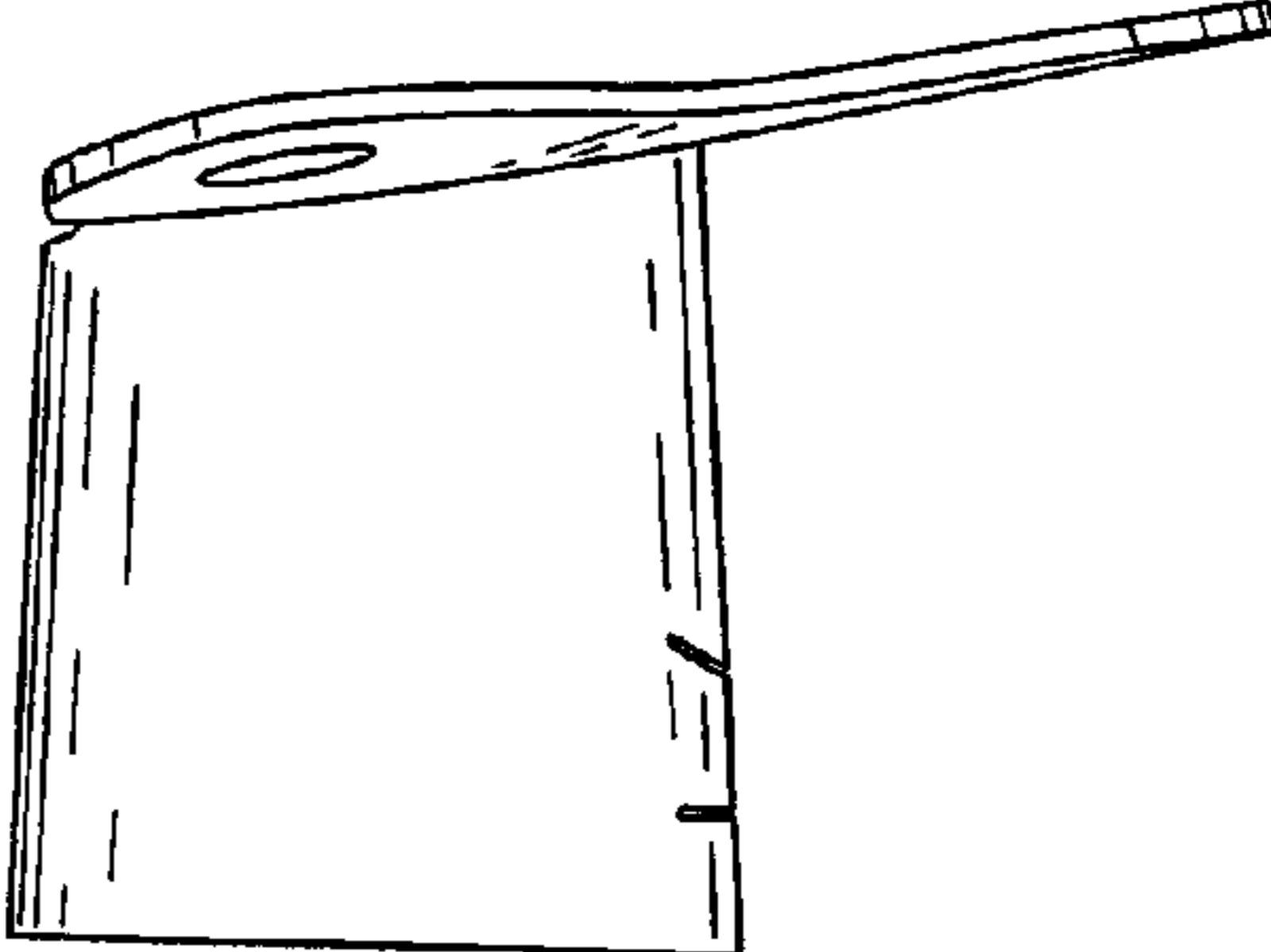


Fig. 6

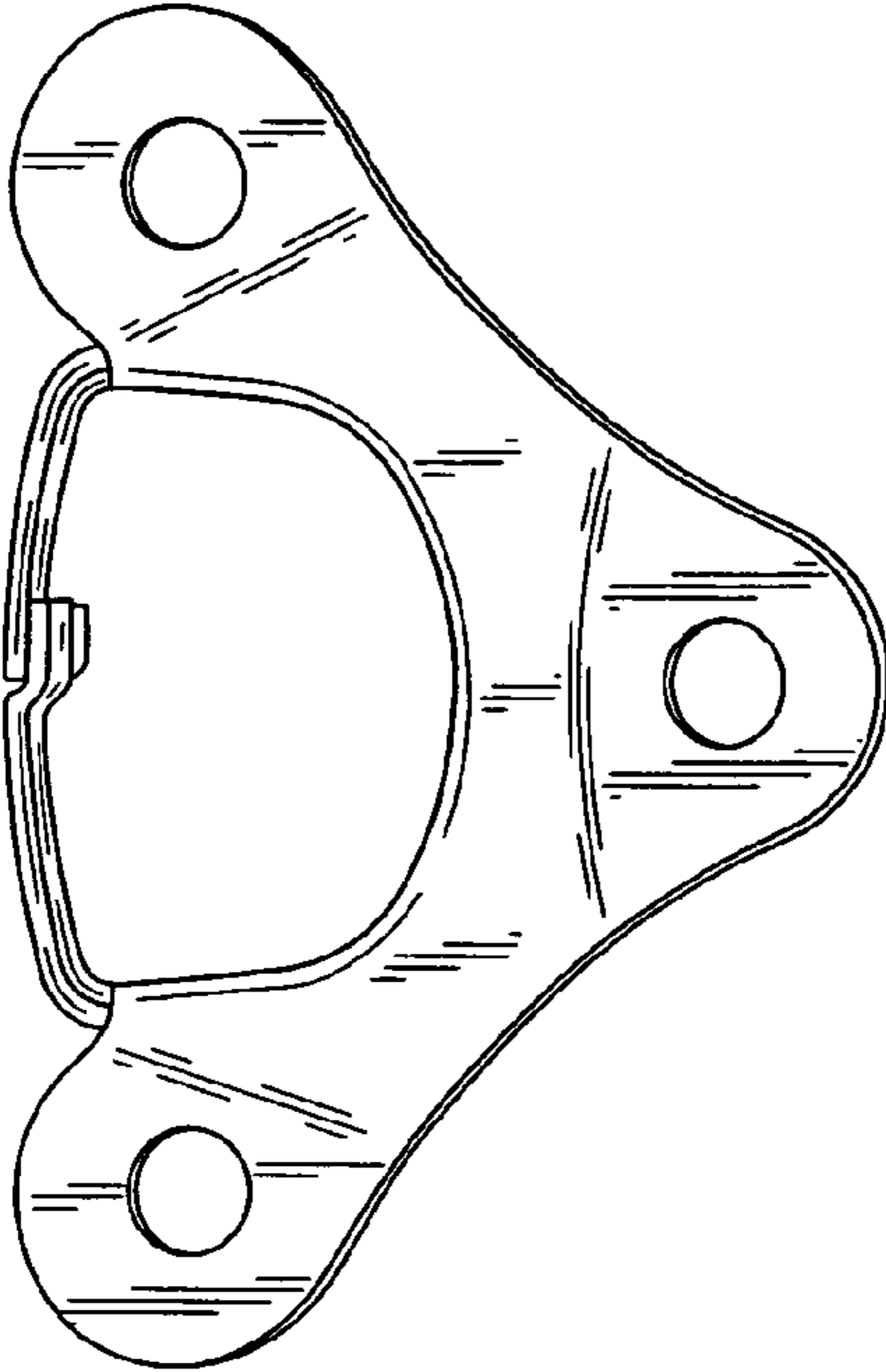


Fig. 5

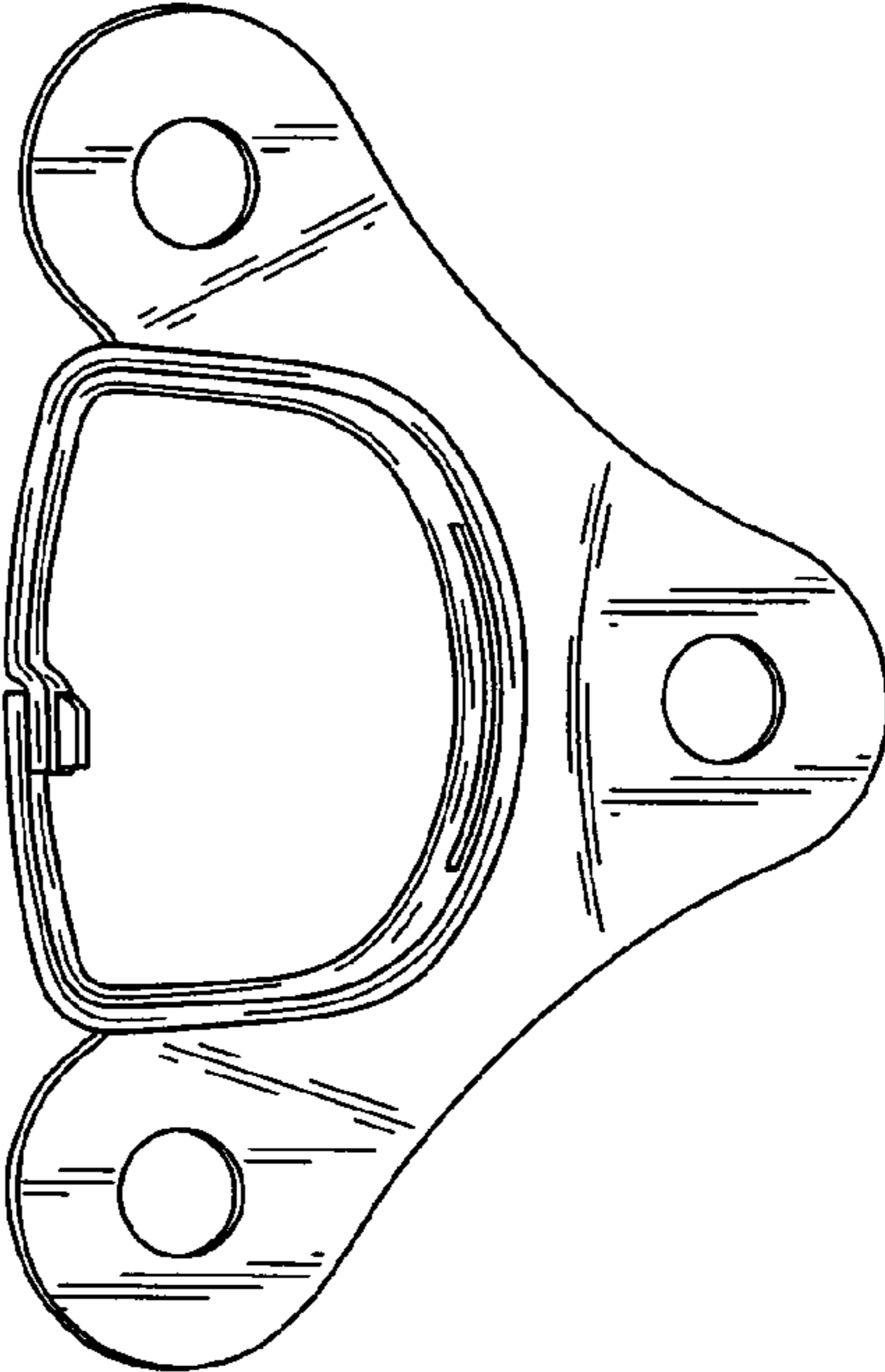


Fig. 7

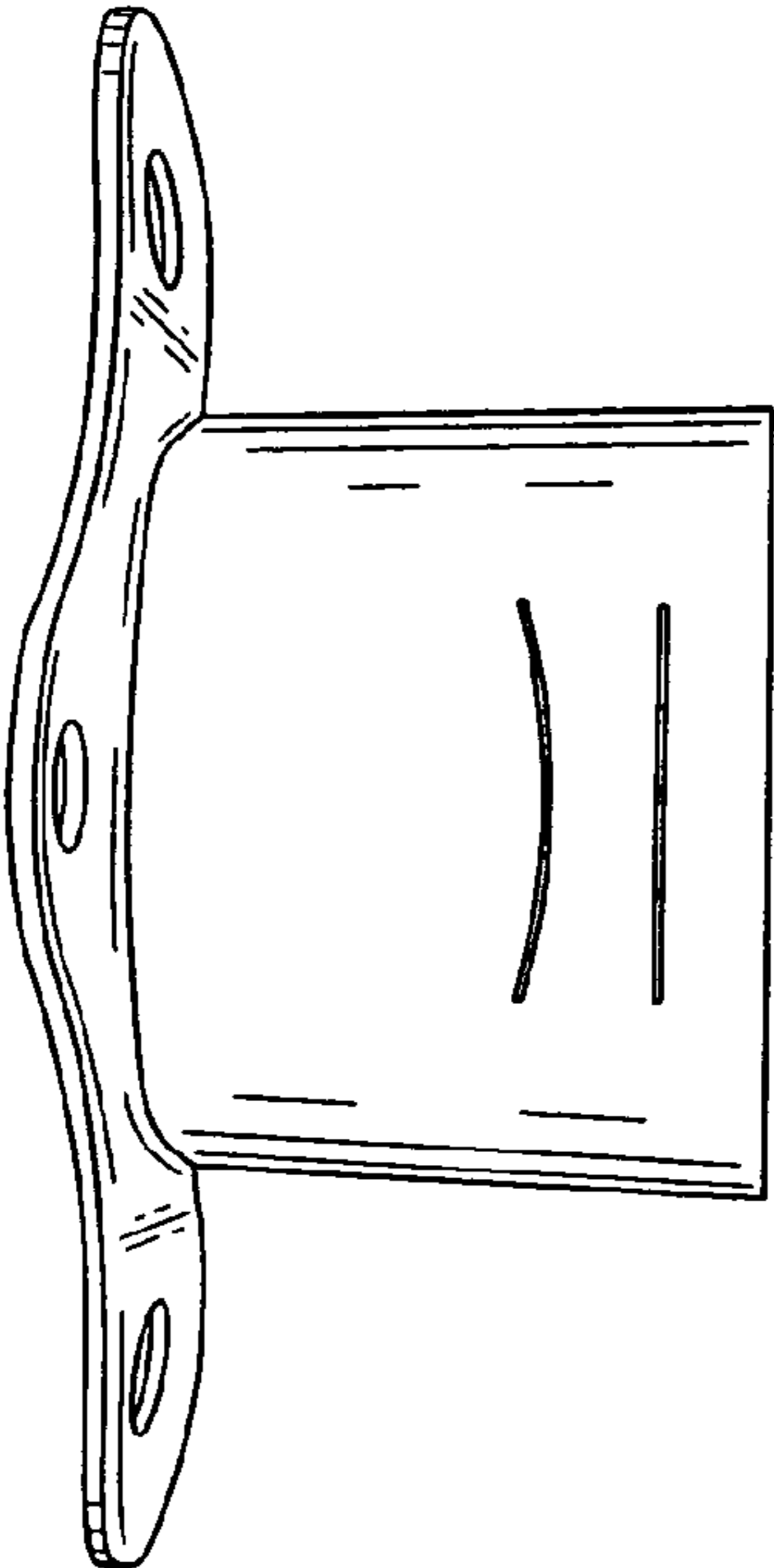


Fig. 4

