



US00D571147S

(12) **United States Design Patent**  
**Rohe**

(10) **Patent No.:** **US D571,147 S**  
(45) **Date of Patent:** **\*\* Jun. 17, 2008**

(54) **SPRING-ACTUATED WATER BOTTLE LID**

(76) Inventor: **Jeffrey T. Rohe**, 1159 Ty Dr., Medina,  
OH (US) 44256

(\*\*) Term: **14 Years**

(21) Appl. No.: **29/279,616**

(22) Filed: **May 3, 2007**

(51) **LOC (8) Cl.** ..... **07-02**

(52) **U.S. Cl.** ..... **D7/392.1**

(58) **Field of Classification Search** ..... D7/316-319,  
D7/391-392.1, 396.2, 510, 511, 629; D9/440,  
D9/444, 447, 449, 450, 454, 503, 504; 215/211,  
215/200, 224, 243; 220/200, 213, 244, 246,  
220/703, 711-715, 810, 830  
See application file for complete search history.

(56) **References Cited**

**U.S. PATENT DOCUMENTS**

4,099,642	A	7/1978	Nergard	
4,212,408	A	7/1980	Valenzona	
D358,530	S *	5/1995	Mehra et al.	D7/510
5,495,966	A	3/1996	Won	
D374,399	S *	10/1996	Neveras et al.	D9/447
5,842,612	A	12/1998	Won	
D409,043	S *	5/1999	Lillelund et al.	D7/392
5,944,235	A	8/1999	Won	
D425,362	S *	5/2000	Meyers et al.	D7/392
D436,800	S *	1/2001	Nowak et al.	D7/392.1
D451,023	S *	11/2001	Kitamura et al.	D9/449
D463,744	S *	10/2002	Brozell	D9/449
6,557,717	B1	5/2003	Keck	
D505,294	S *	5/2005	Gauss	D7/392.1
D508,185	S *	8/2005	Gauss	D7/392.1
7,073,678	B1	7/2006	Dibdin et al.	

D528,862	S *	9/2006	Li	D7/510
D539,607	S *	4/2007	Lapsker	D7/510
D540,119	S *	4/2007	Lapsker	D7/510
D543,776	S *	6/2007	Yelland	D7/392.1
2005/0115977	A1	6/2005	Dibdin et al.	

\* cited by examiner

*Primary Examiner*—Holly H. Baynham

*Assistant Examiner*—Cynthia M. Chin

(74) *Attorney, Agent, or Firm*—Hahn Loeser & Parks, LLP;  
W. Edward Crooks

(57) **CLAIM**

The ornamental design for a spring-actuated water bottle lid,  
as shown and described.

**DESCRIPTION**

FIG. 1 is a perspective view of a spring-actuated water bottle lid, shown in a closed position and attached to a mug environment.

FIG. 2 is a perspective view of the spring-actuated water bottle lid of FIG. 1, shown in an open position and attached to a mug environment.

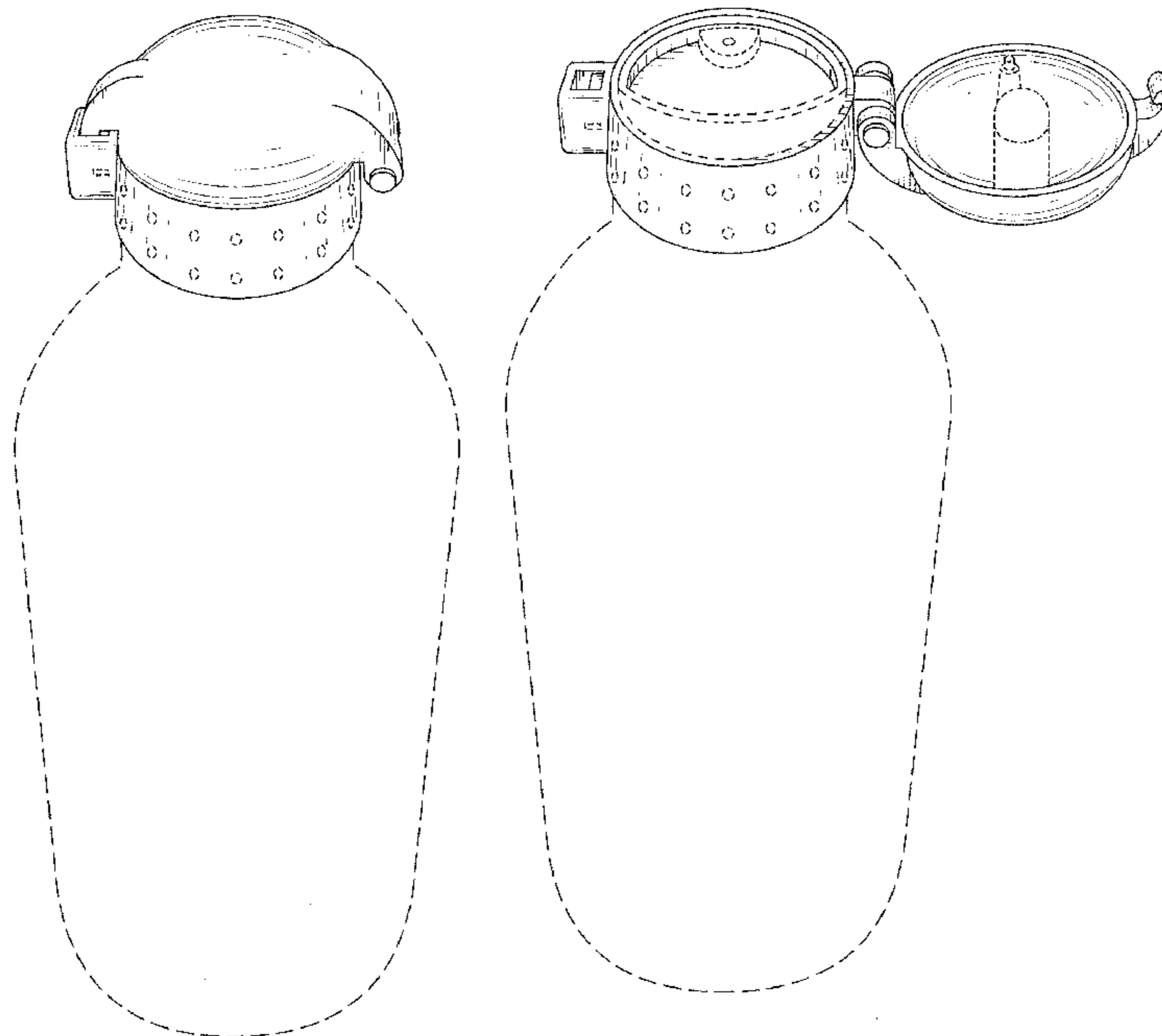
FIG. 3 is a top view of the spring-actuated water bottle lid of FIG. 1.

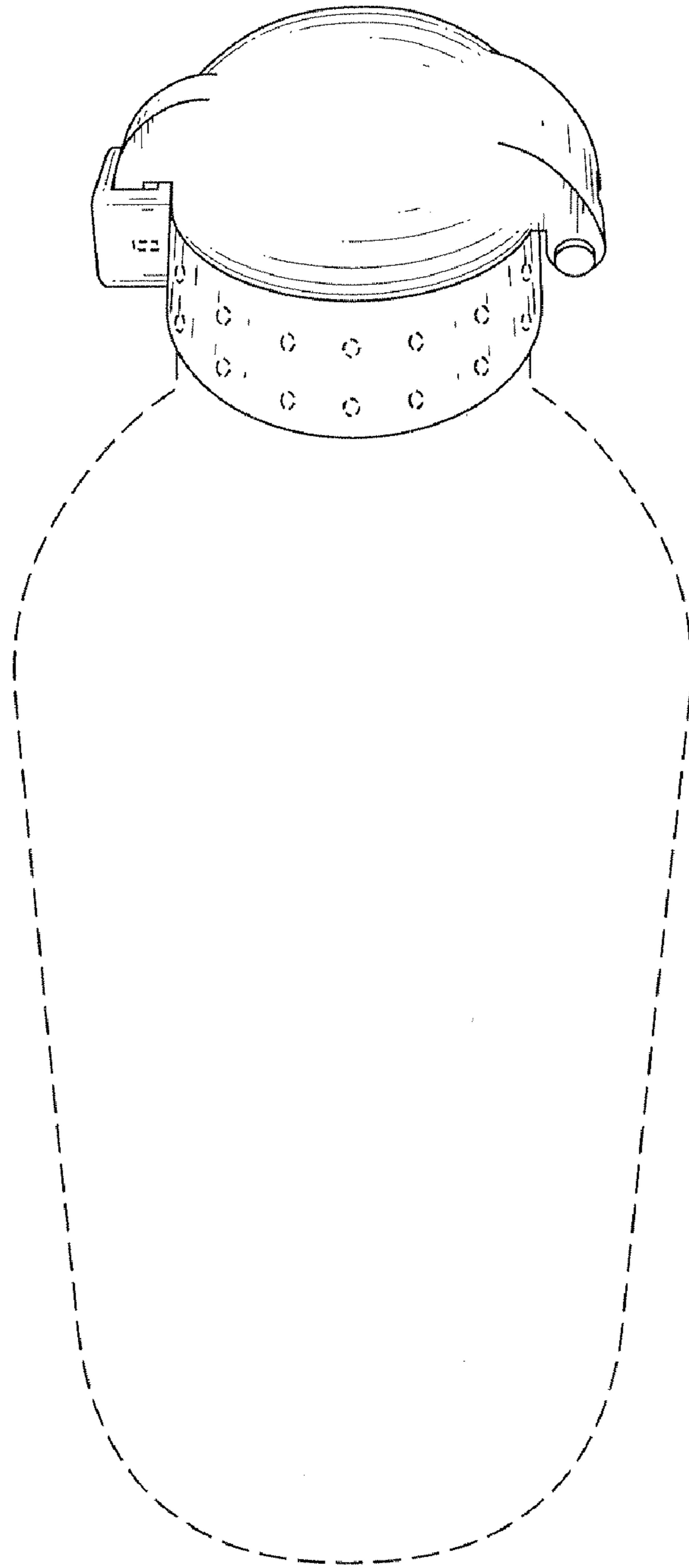
FIG. 4 is a front side elevational view of the spring-actuated water bottle lid of FIG. 1, shown in a closed position; and,

FIG. 5 is a rear side elevational view of the spring-actuated water bottle lid of FIG. 1, shown in a closed position.

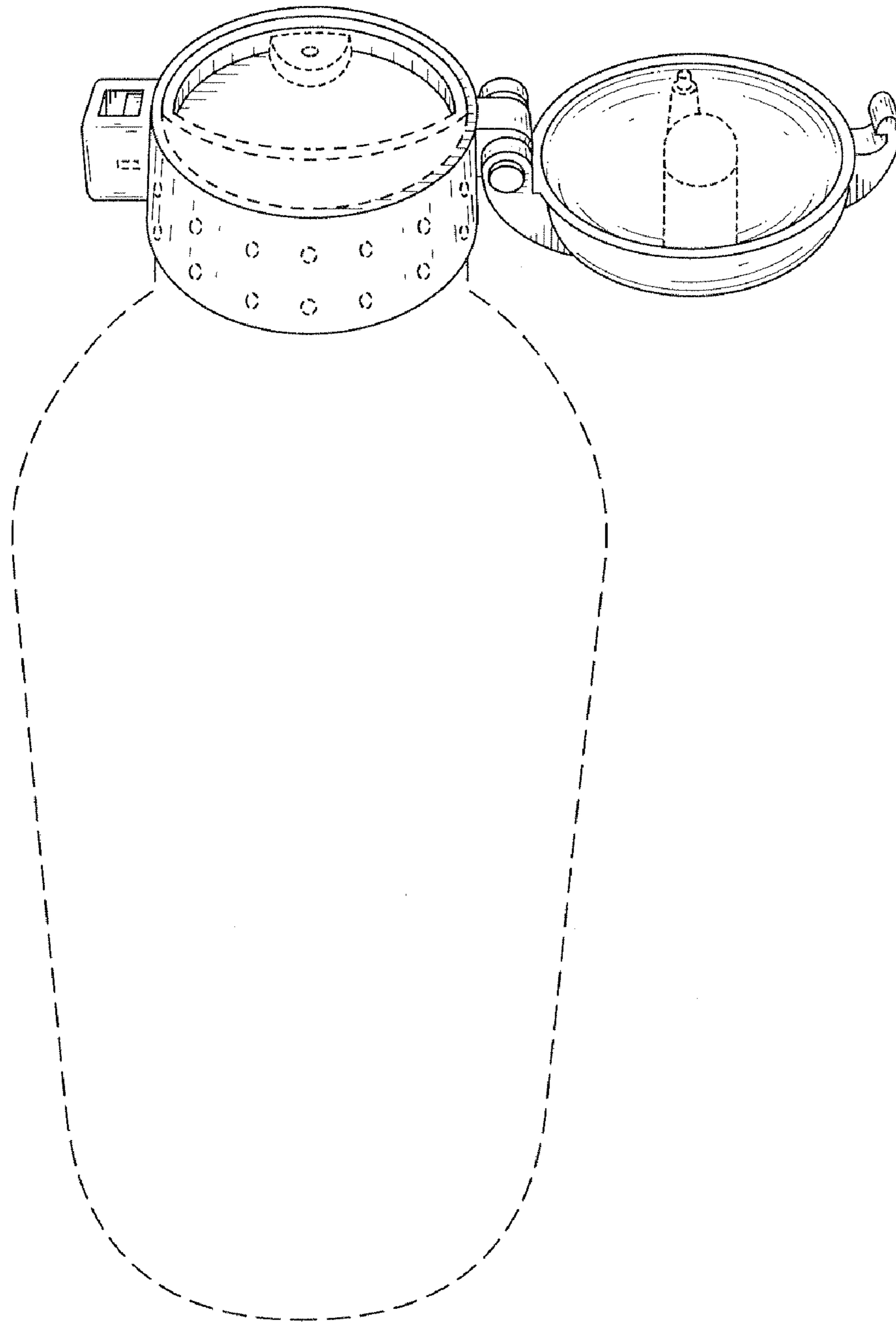
The broken lines shown in the Figures are for illustrative purposes only and form no part of the claimed invention. The bottom of the spring-actuated water bottle lid is unornamented.

**1 Claim, 3 Drawing Sheets**

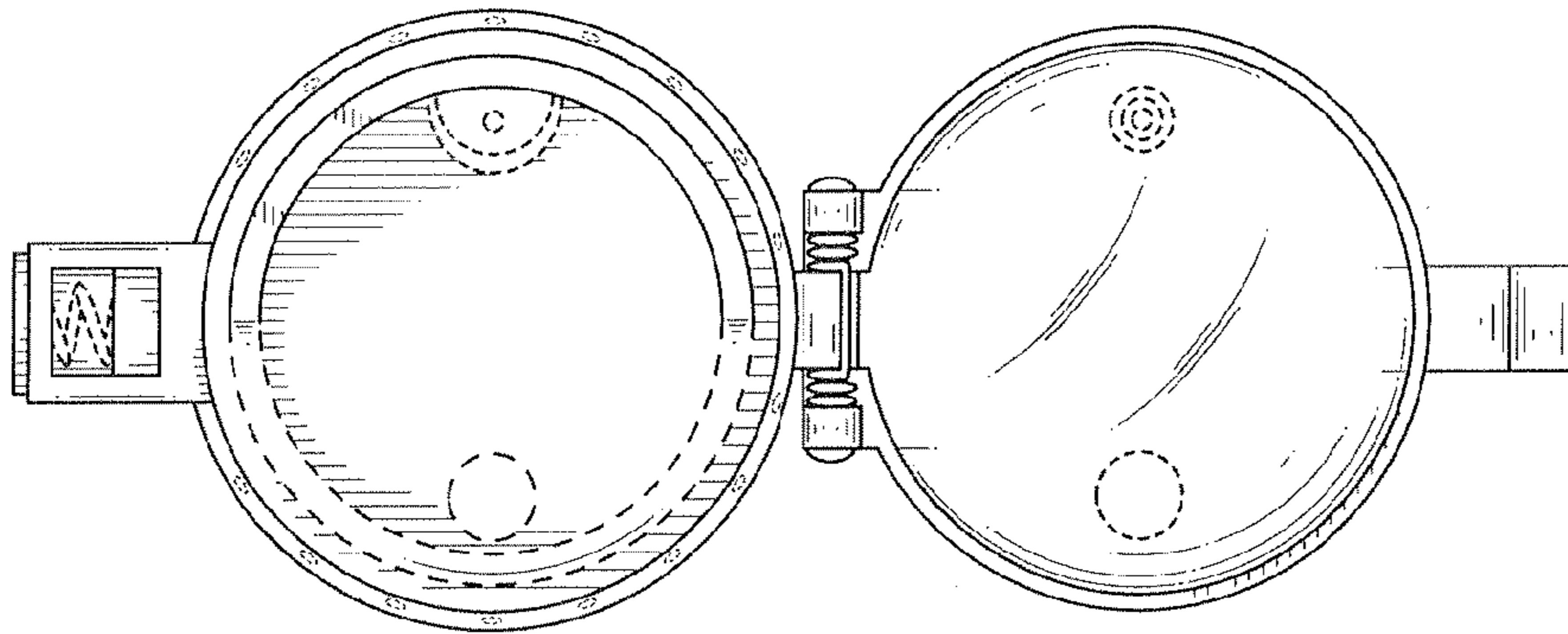




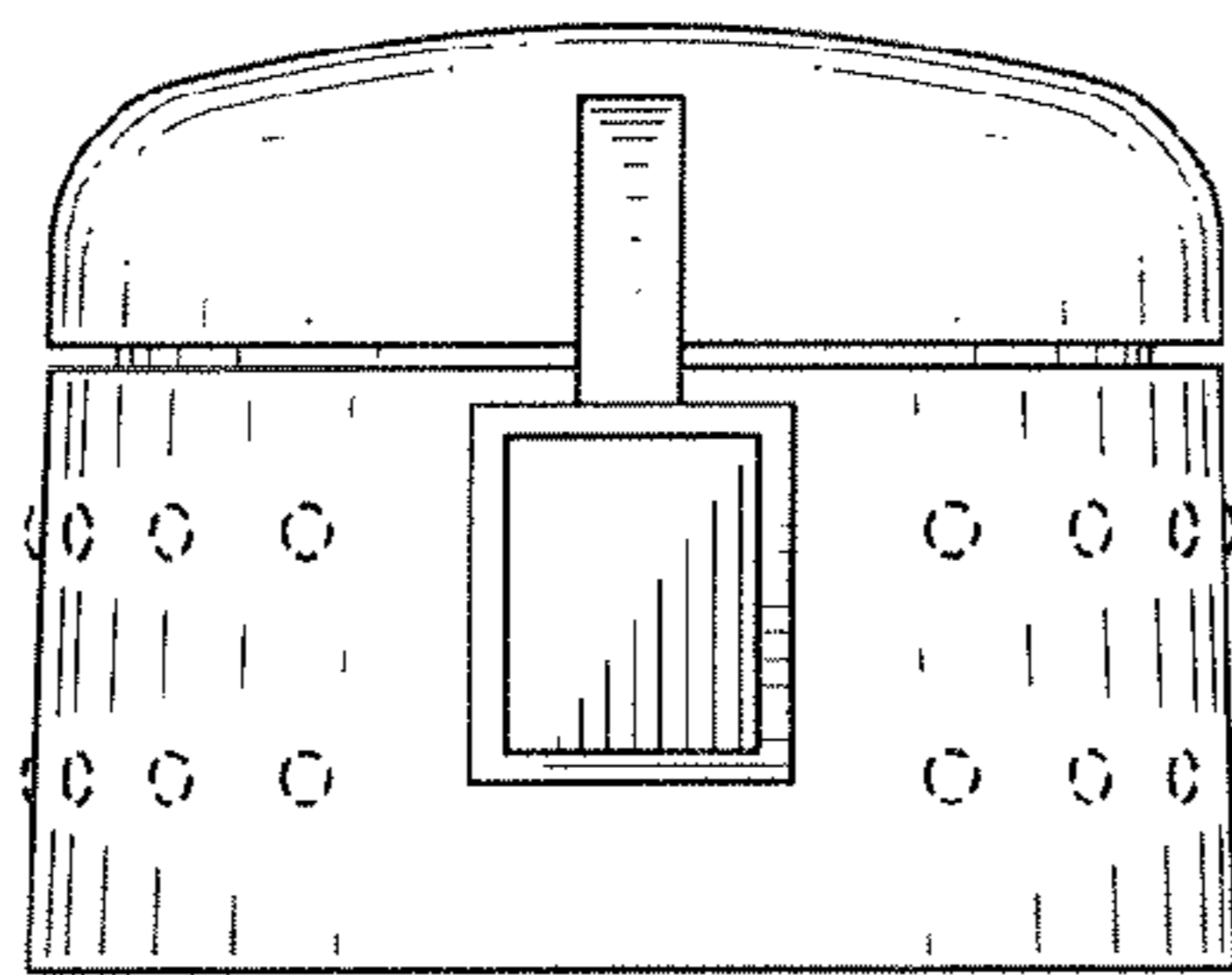
**FIG. 1**



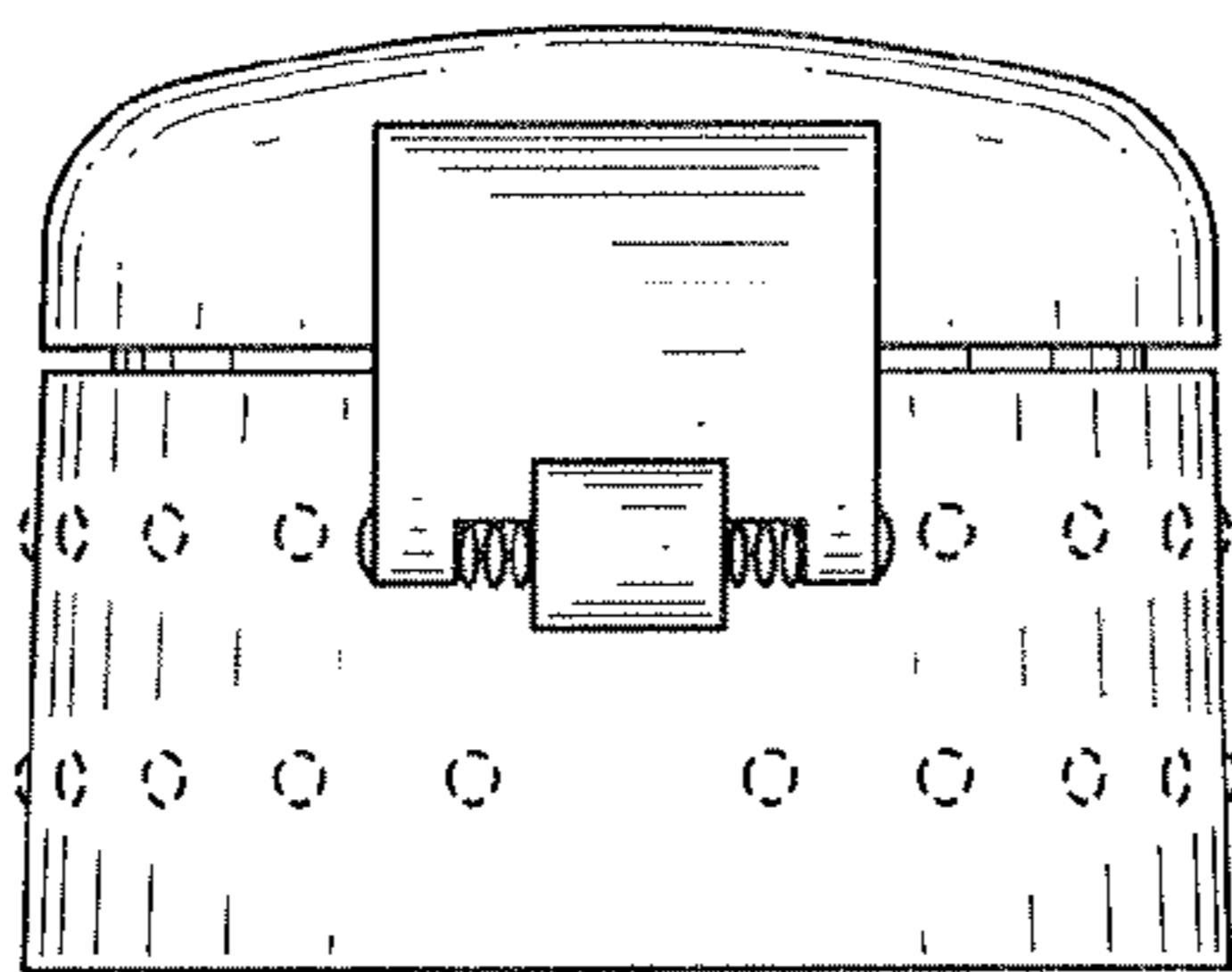
**FIG. 2**



**FIG. 3**



**FIG. 4**



**FIG. 5**