

US00D571145S

(12) **United States Design Patent**
Rae

(10) **Patent No.:** **US D571,145 S**
(45) **Date of Patent:** **** Jun. 17, 2008**

(54) **COOKWARE LID**
(75) Inventor: **Robert A. Rae**, Danville, CA (US)
(73) Assignee: **Meyer Intellectual Properties Limited**
(VG)

D475,886 S * 6/2003 Burton et al. D7/391
D480,598 S * 10/2003 Teisen-Simony et al. D7/391
D491,874 S * 6/2004 Cook D12/213
D504,652 S * 5/2005 Woodberry D12/213
D514,877 S * 2/2006 Tetreault D7/391

(**) Term: **14 Years**

* cited by examiner

(21) Appl. No.: **29/257,252**

Primary Examiner—Caron D. Veynar

Assistant Examiner—Ricky Pham

(22) Filed: **Mar. 31, 2006**

(74) *Attorney, Agent, or Firm*—Edward S. Sherman

(51) **LOC (8) Cl.** **07-02**

(52) **U.S. Cl.** **D7/391**

(58) **Field of Classification Search** D7/323,
D7/354–361, 391, 392.1, 538–542; D9/443;
D12/213; D23/209; 220/200, 376, 573.1–574,
220/625, 731, 912

See application file for complete search history.

(57) **CLAIM**

The ornamental design for a cookware lid, as shown and described.

(56) **References Cited**

U.S. PATENT DOCUMENTS

D102,574 S * 12/1936 Nelson D7/391
D160,649 S * 10/1950 Muller-Munk D7/391
D183,806 S * 10/1958 Quistgaard D7/360
D211,979 S * 8/1968 Dru D9/443
D306,199 S * 2/1990 Meissner D23/209
D402,614 S * 12/1998 Martinez D12/213
D416,437 S * 11/1999 Cheng D7/391
D473,101 S * 4/2003 Burton et al. D7/391

DESCRIPTION

FIG. 1 is an enlarged perspective view of the cookware lid showing my new design;

FIG. 2 is a top plan view thereof;

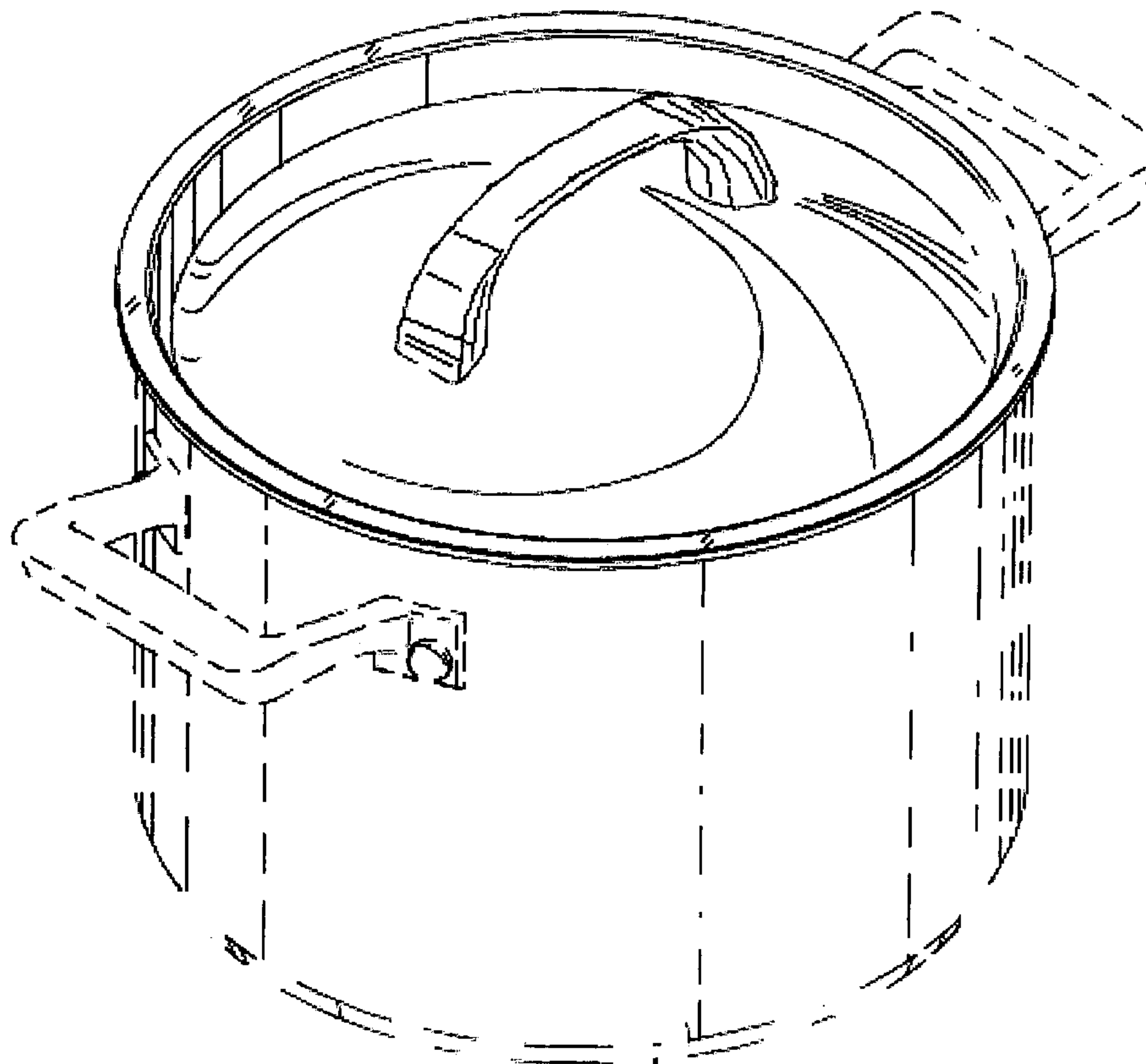
FIG. 3 is a front elevation view thereof;

FIG. 4 is a right side elevational view thereof;

FIG. 5 is a bottom plan view thereof; and,

FIG. 6 is a perspective of an article of cookware deploying the cookware lid of FIG. 1, wherein the broken lines are for illustrative purposes only, depicting the environment of the new design, forming no part thereof as claimed.

1 Claim, 4 Drawing Sheets



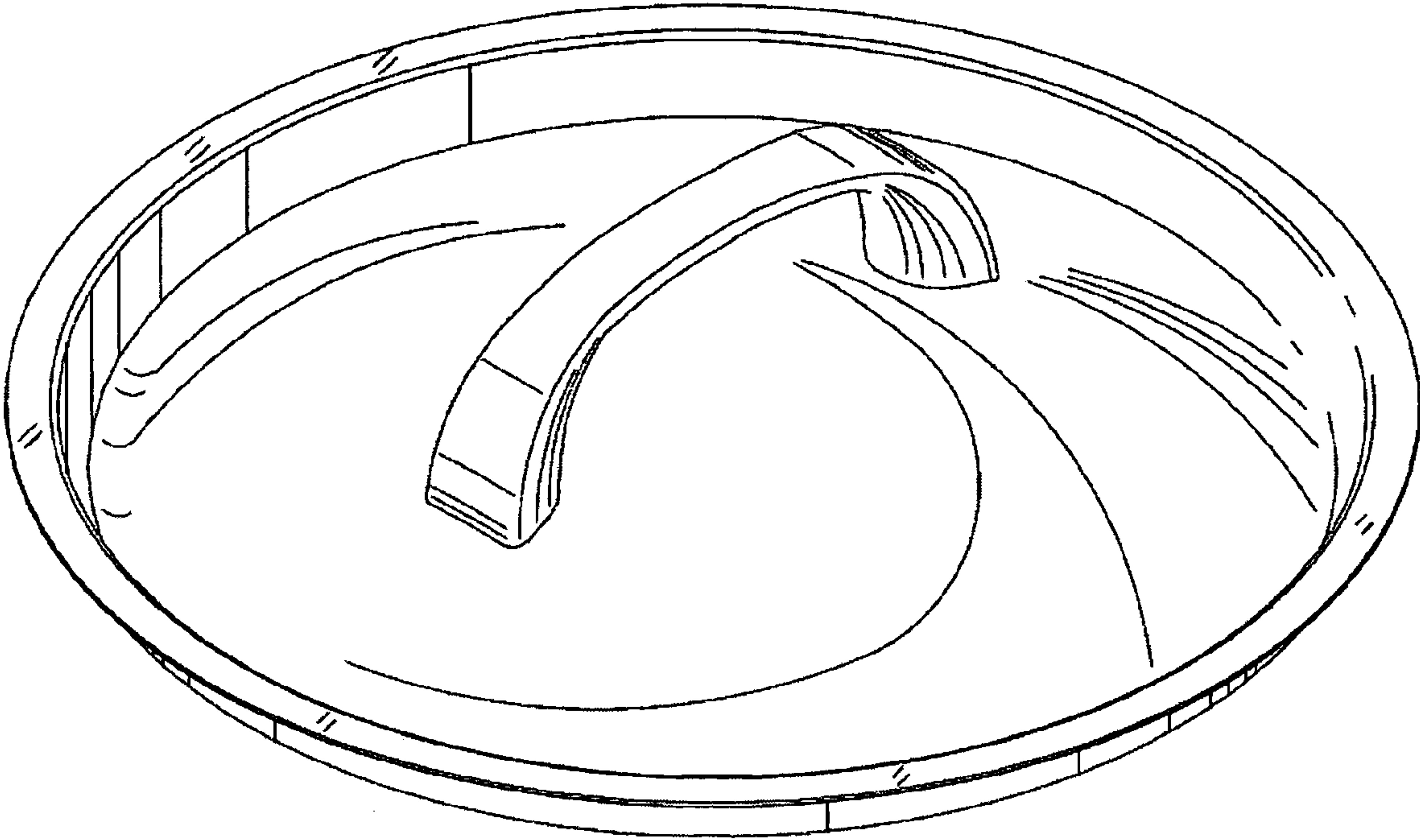


FIG.1

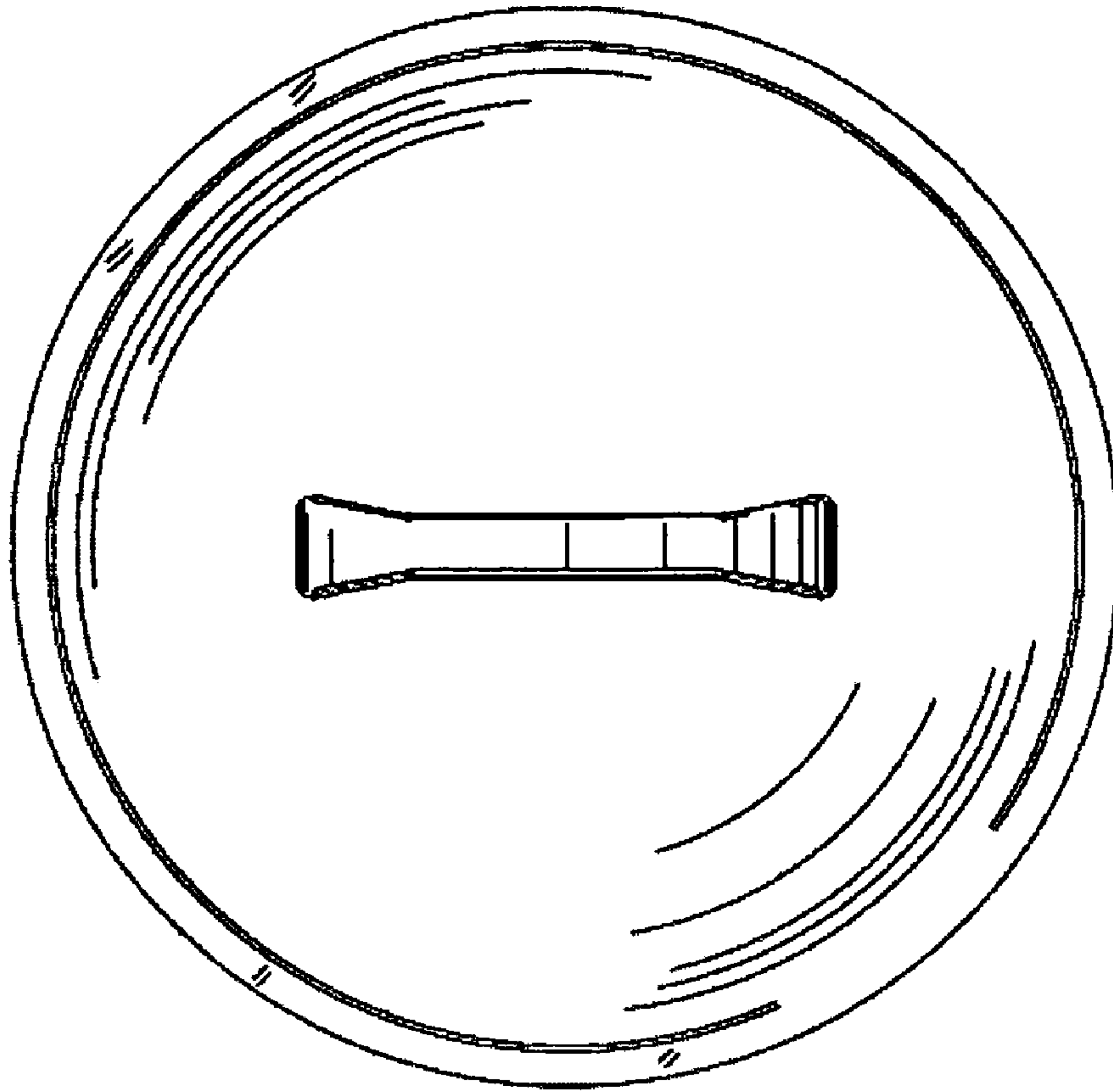


FIG. 2

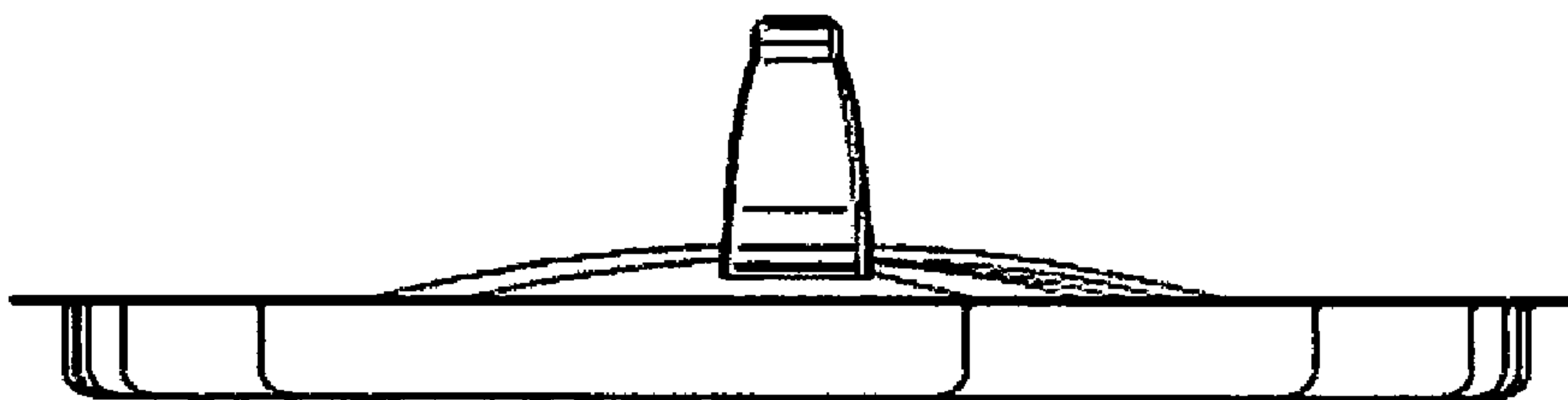


FIG. 3

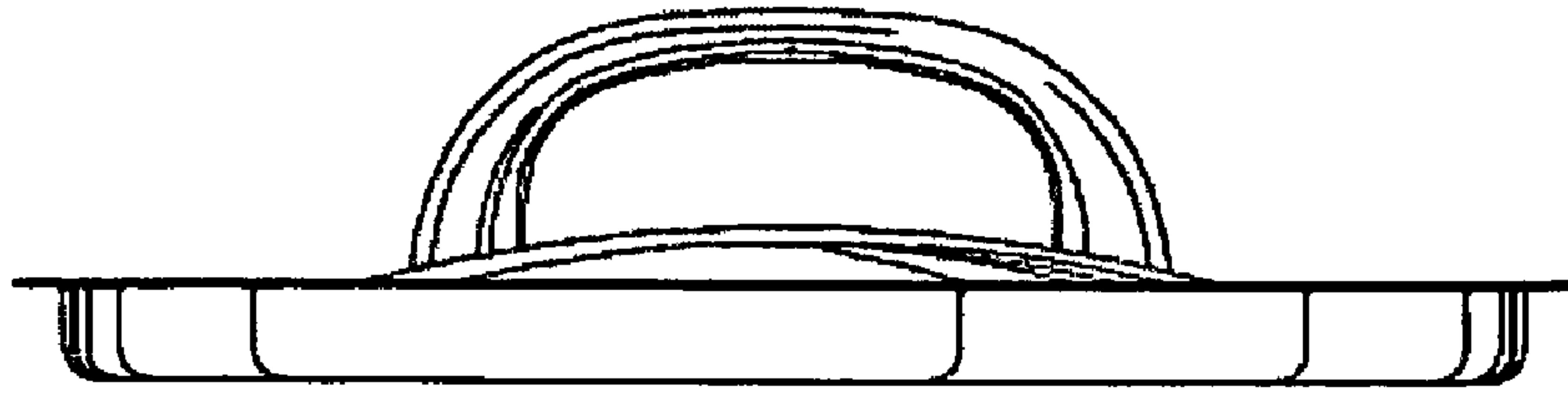


FIG. 4

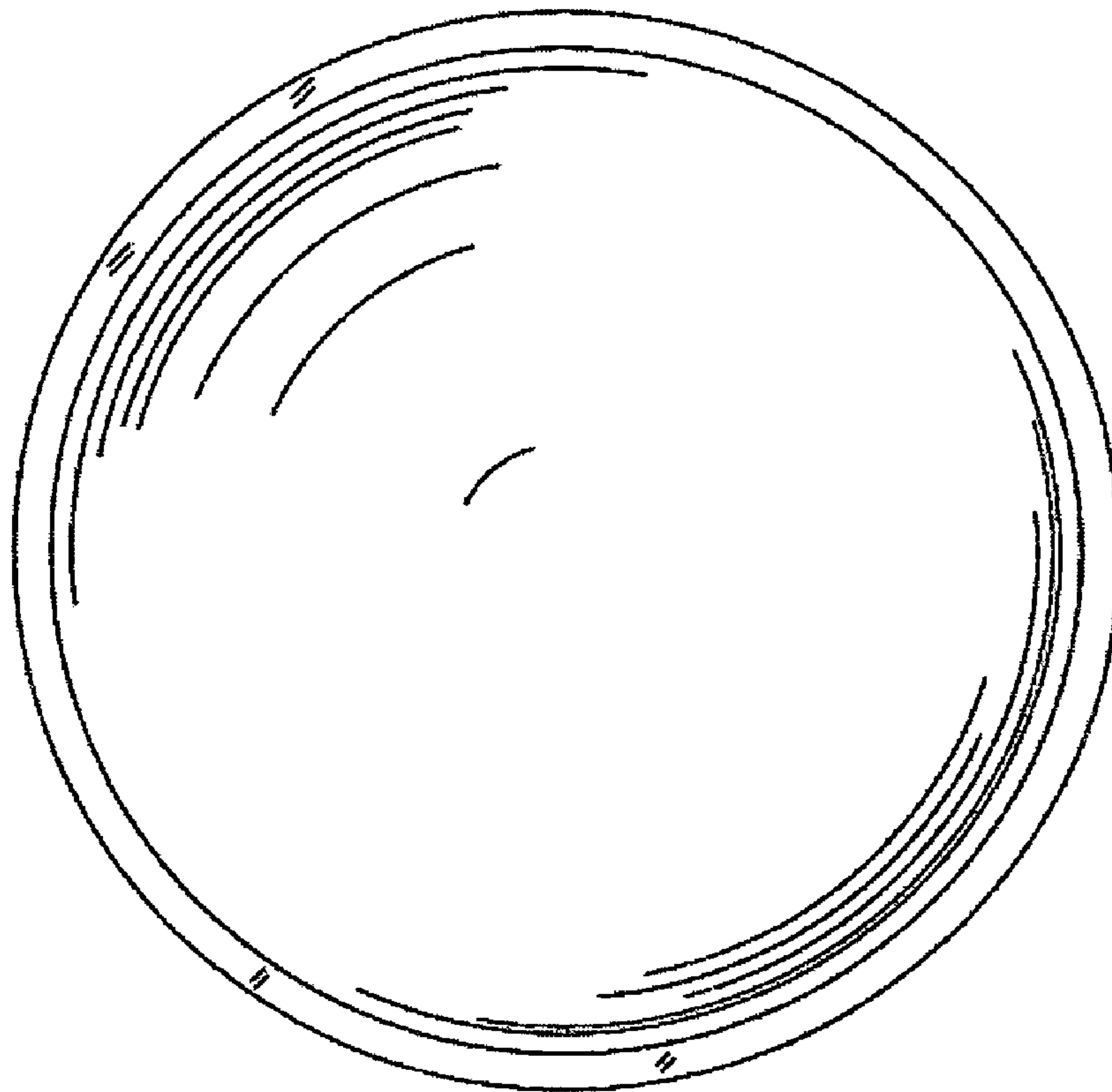


FIG. 5

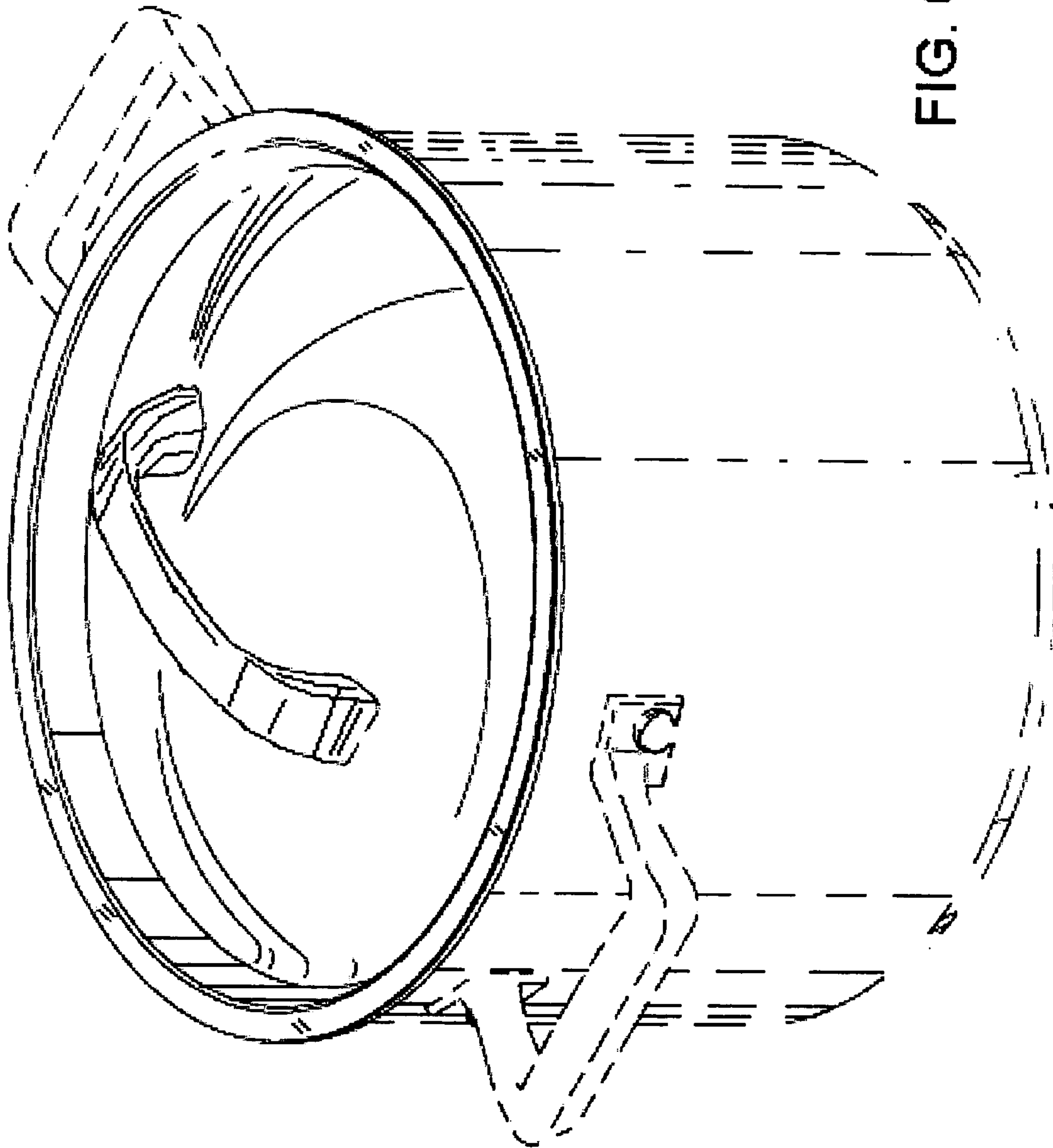


FIG. 6