



US00D571144S

(12) **United States Design Patent**  
**Nikkhah**

(10) **Patent No.:** **US D571,144 S**  
(45) **Date of Patent:** **\*\* Jun. 17, 2008**

(54) **SMOOTHIE MAKER BLENDER**

(75) Inventor: **Ali Nikkhah**, Mission Viejo, CA (US)

(73) Assignee: **Sylmark Holdings Limited** (IE)

(\*\*) Term: **14 Years**

(21) Appl. No.: **29/284,107**

(22) Filed: **Aug. 30, 2007**

D373,504 S *	9/1996	Leverrier .....	D7/378
D453,443 S *	2/2002	Hoare et al. ....	D7/378
D465,127 S *	11/2002	Lee .....	D7/378
D473,421 S	4/2003	Daniels, Jr.	
D474,065 S *	5/2003	Daniels, Jr. ....	D7/378
D483,607 S *	12/2003	Chang Chien .....	D7/384
D487,213 S	3/2004	Boyle et al.	
D504,277 S *	4/2005	Hei .....	D7/378
6,935,767 B2 *	8/2005	Nikkhah .....	366/129
D519,314 S *	4/2006	Blaise .....	D7/378
D550,029 S *	9/2007	Nikkhah .....	D7/378
D552,412 S *	10/2007	Steiner .....	D7/378

**Related U.S. Application Data**

(62) Division of application No. 29/246,500, filed on Apr. 19, 2006, now Pat. No. Des. 550,029.

(51) **LOC (8) Cl.** ..... **31-00**

(52) **U.S. Cl.** ..... **D7/378**

(58) **Field of Classification Search** ..... D7/300.1,  
D7/306, 313, 372-386, 412, 413, 665; D14/413;  
74/16; 99/509-511; 241/30, 33, 37.5, 101.01-101.02,  
241/166-169.1, 274-278.2, 282.1-282.2,  
241/285.1-285.3, 291, 292.1, 301; 318/443;  
366/64-67, 98, 100, 129, 191, 197-201,  
366/205-207, 219-221, 241-254, 279-292,  
366/325.94, 330.4, 341-343

See application file for complete search history.

(56) **References Cited**

**U.S. PATENT DOCUMENTS**

2,800,310 A *	7/1957	Snyder .....	366/205
D199,888 S	12/1964	Dewenter	

\* cited by examiner

*Primary Examiner*—Caron D. Veynar

*Assistant Examiner*—Ricky Pham

(74) *Attorney, Agent, or Firm*—Kathy Mojibi Kavcioglu

(57) **CLAIM**

I claim the ornamental design for the smoothie maker blender, as shown and described.

**DESCRIPTION**

FIG. 1 is a left side elevational view of a smoothie maker blender of the present invention;

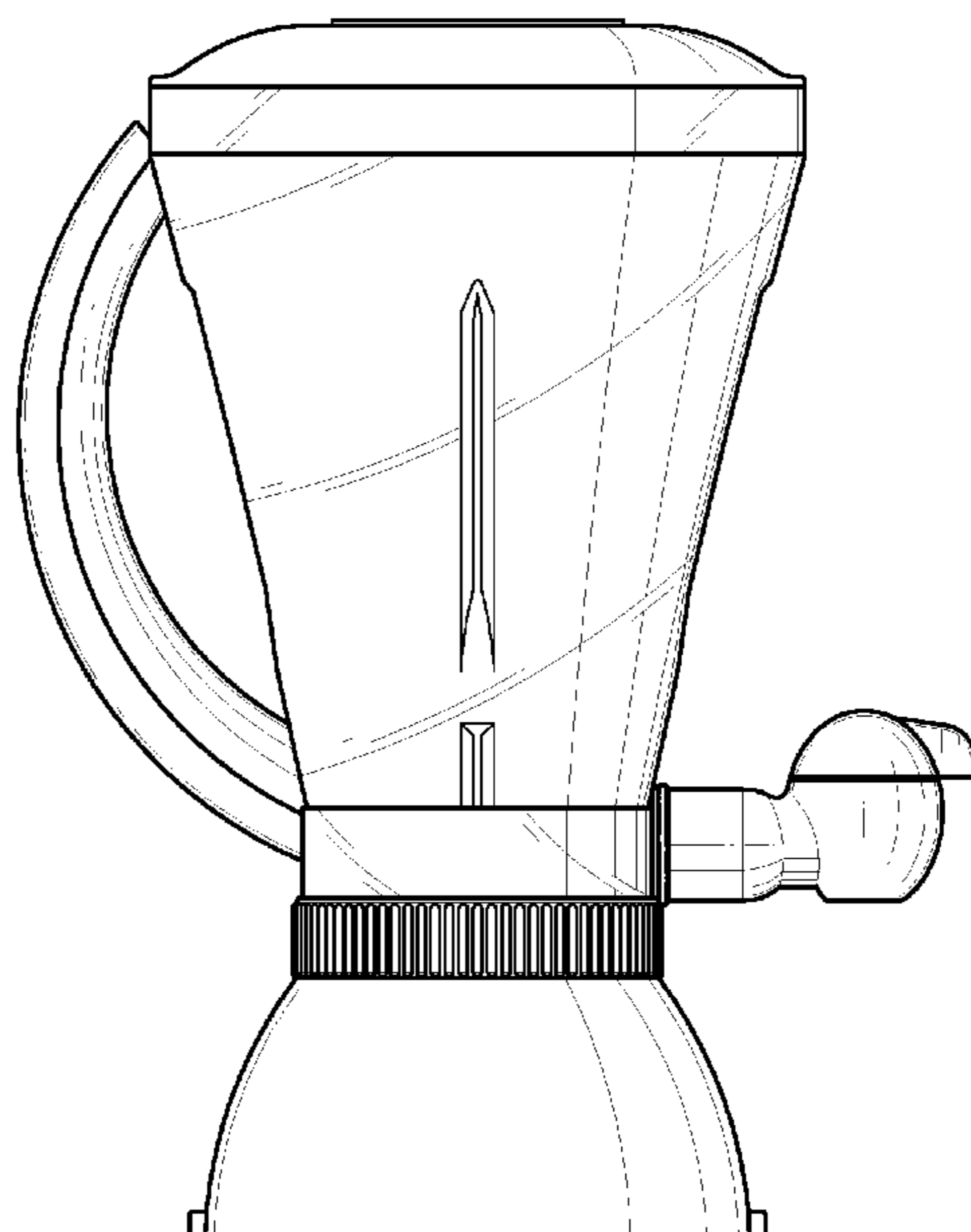
FIG. 2 is a front elevational view thereof;

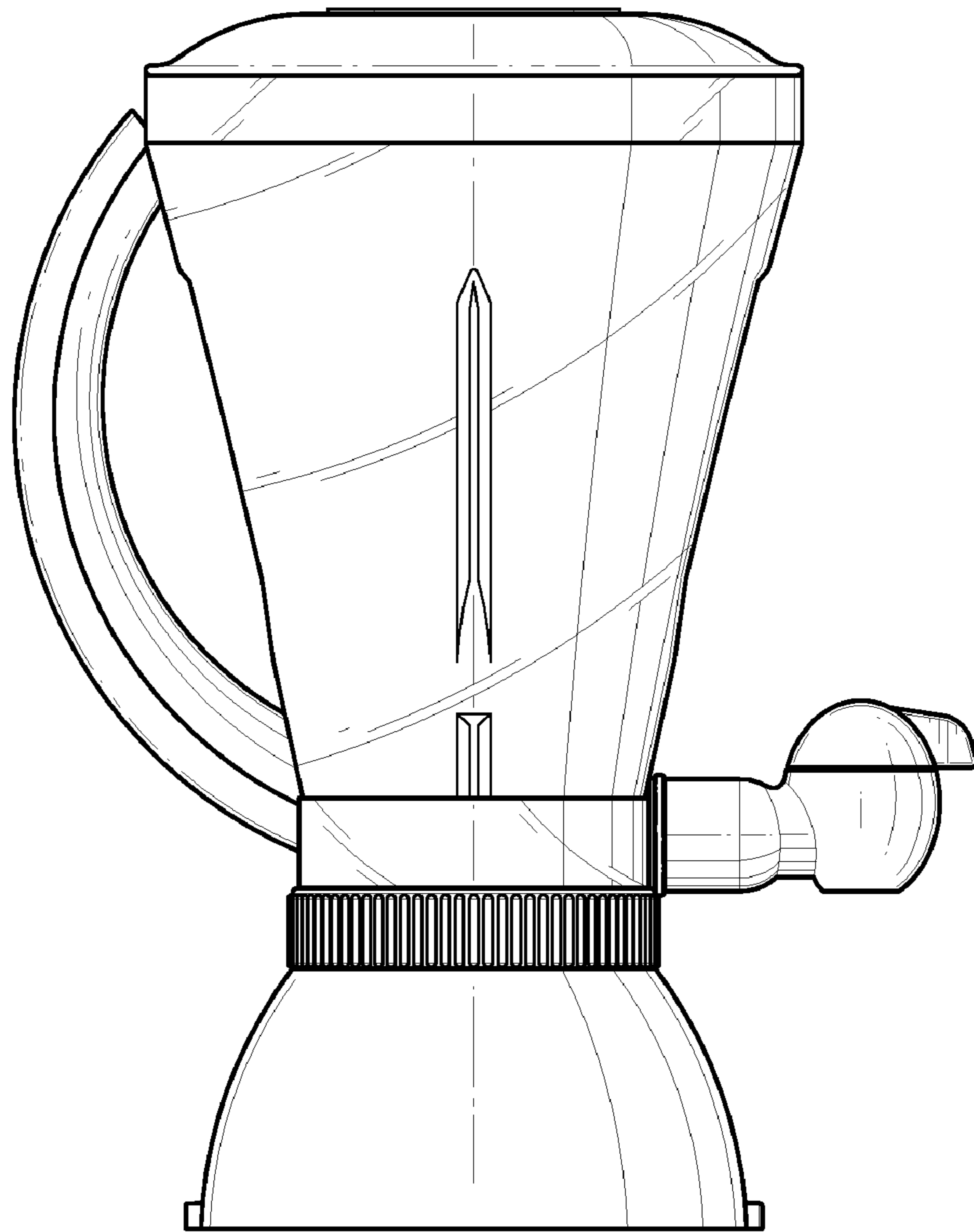
FIG. 3 is a rear elevational view thereof;

FIG. 4 is a top plan view thereof; and,

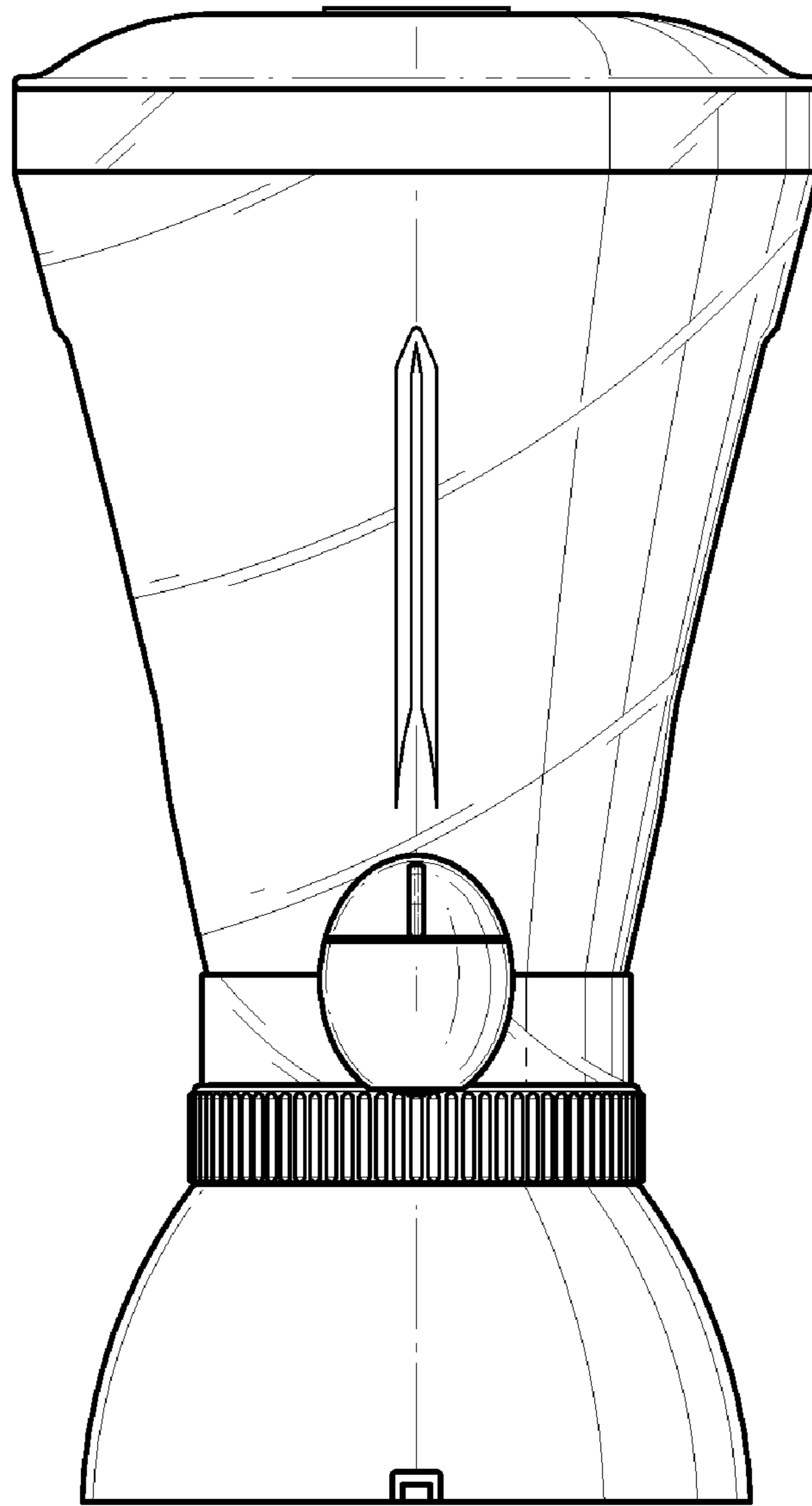
FIG. 5 is a bottom plan view thereof.

**1 Claim, 4 Drawing Sheets**

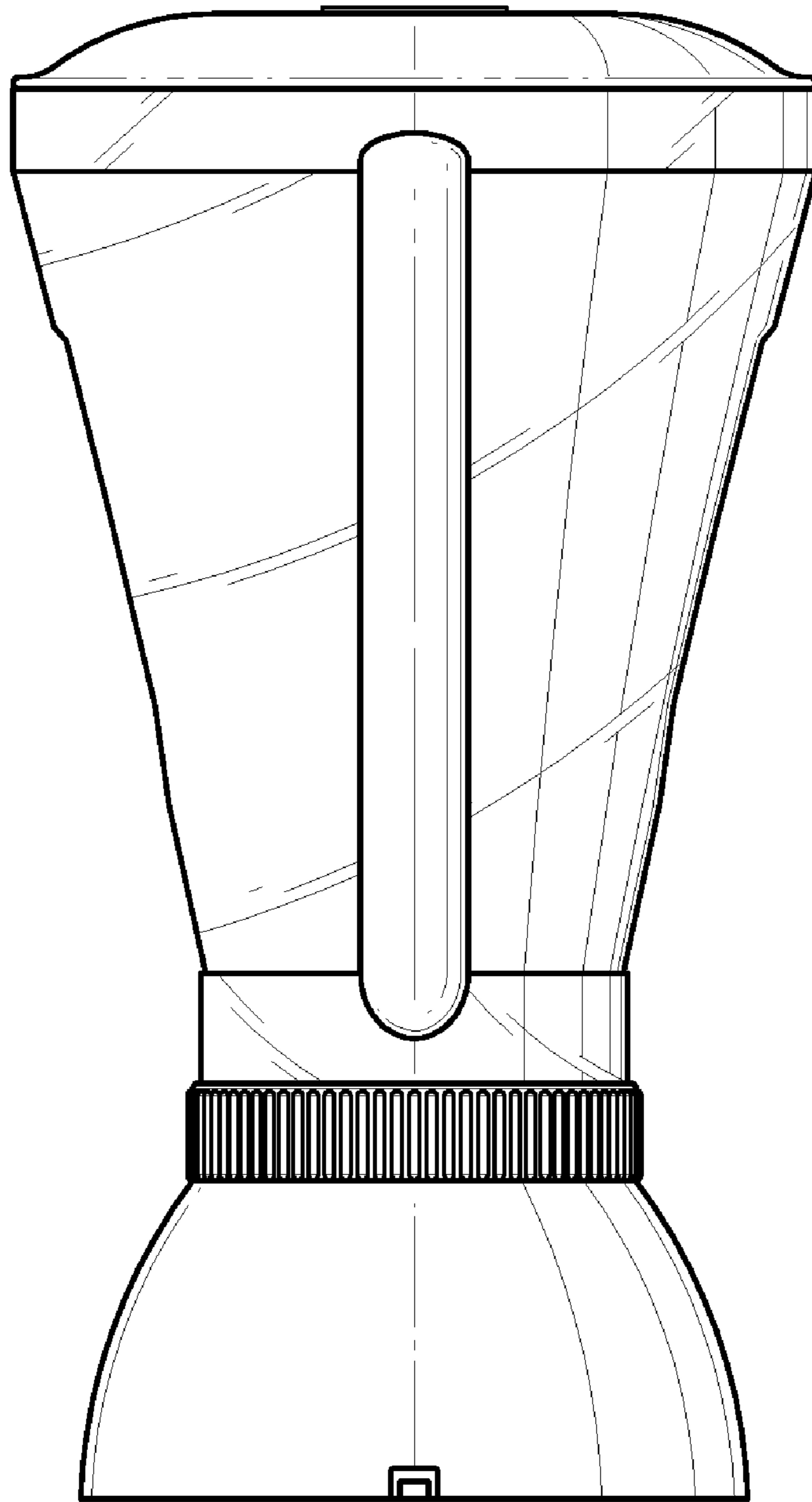




*FIG. 1*



*FIG. 2*



*FIG. 3*

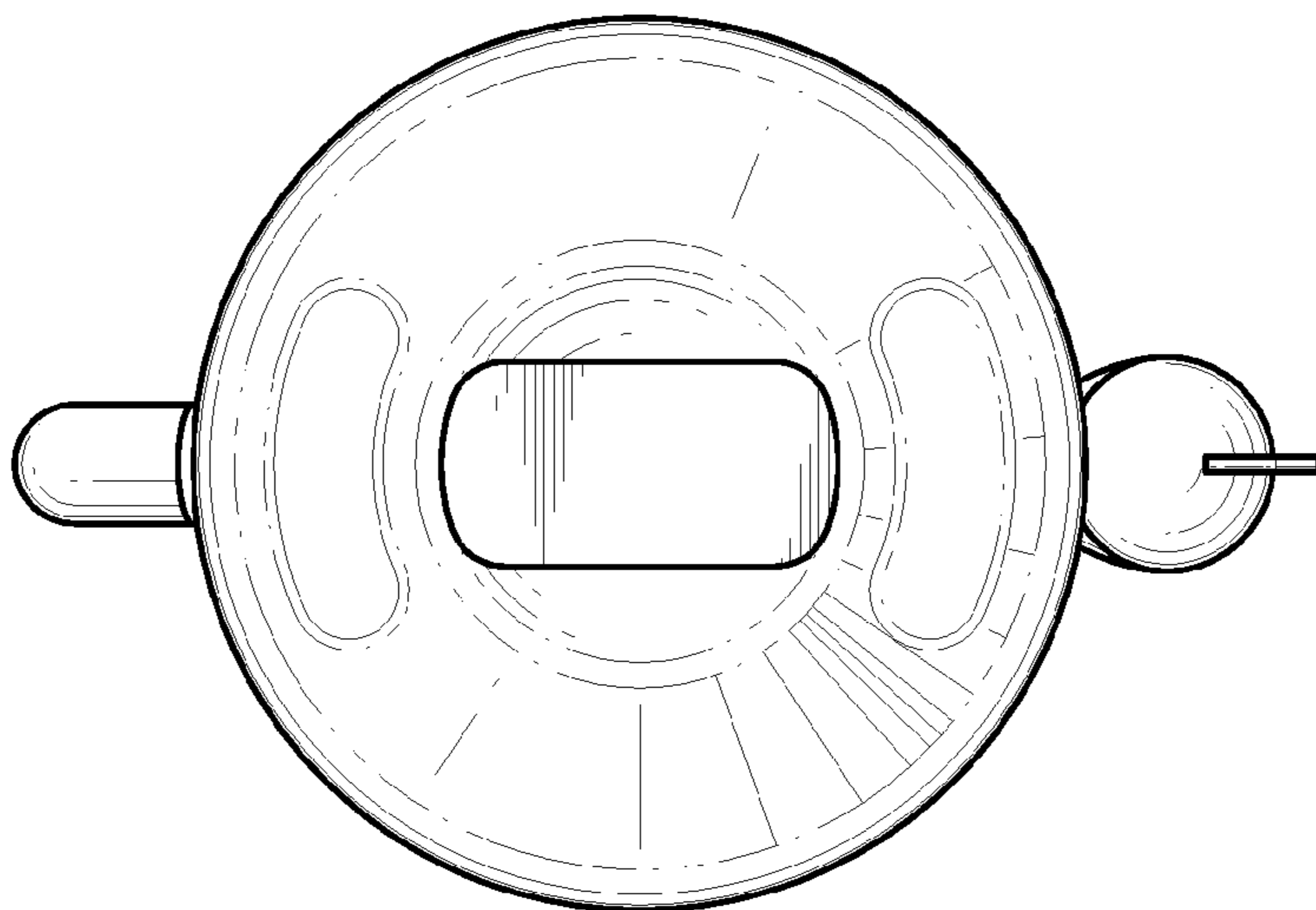


FIG. 4

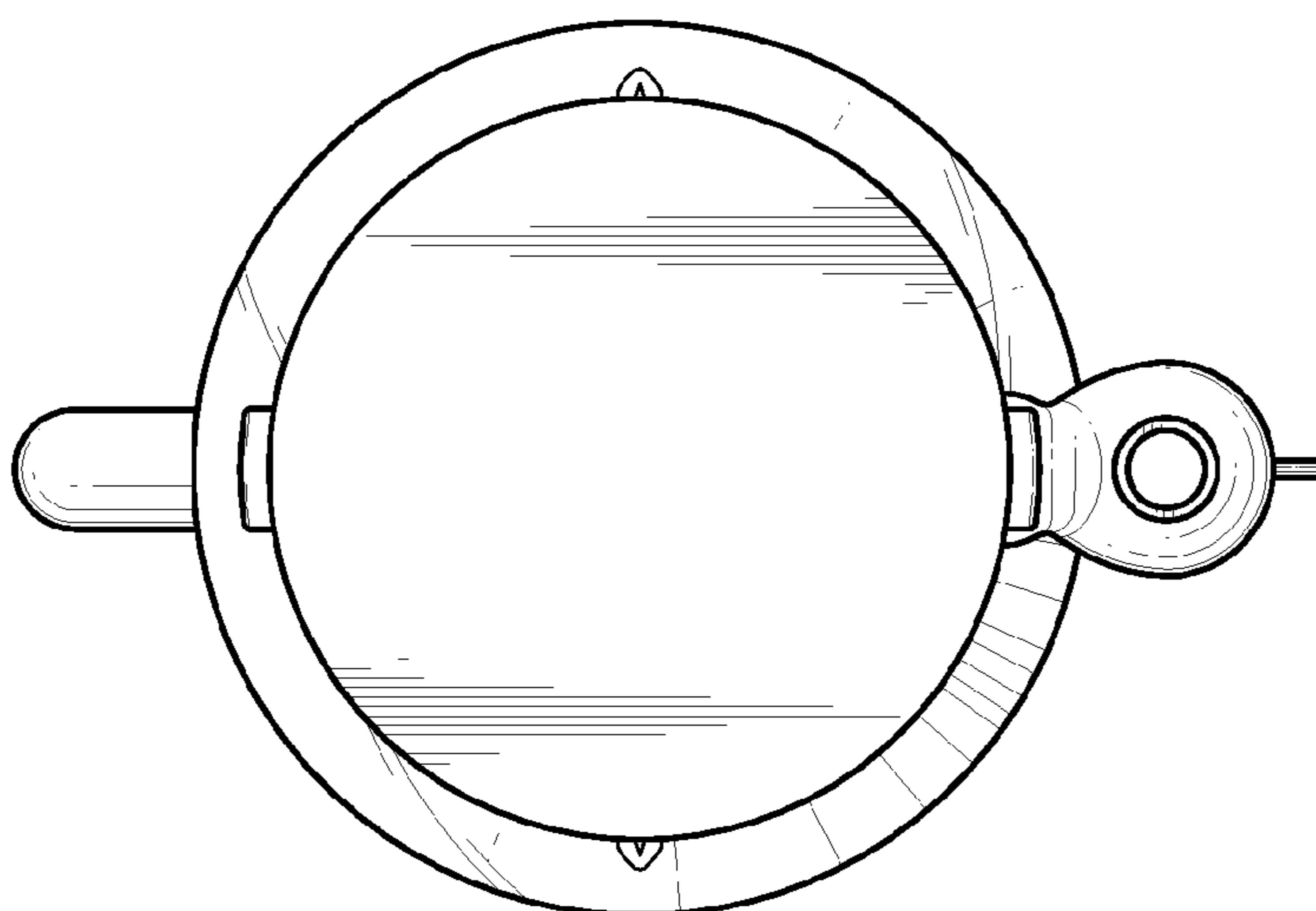


FIG. 5