

US00D571143S

(12) **United States Design Patent**
He

(10) **Patent No.:** **US D571,143 S**
(45) **Date of Patent:** **** Jun. 17, 2008**

(54) **COMBINED GRILL AND CAKE MAKER**

(76) Inventor: **Zhipeng He**, No. 2 Workshop, Business & Living Building, Xinguangcong Road, Longquai Town, Guangzhou (CN)

(**) Term: **14 Years**

(21) Appl. No.: **29/287,151**

(22) Filed: **Jul. 3, 2007**

(51) **LOC (8) Cl.** **07-02**

(52) **U.S. Cl.** **D7/352**

(58) **Field of Classification Search** D3/298;
D7/323, 328-332, 334-339, 352-363, 609;
99/219, 331, 339-340, 349, 369, 372-375,
99/385-386, 389, 425, 444, 446, 466, 601,
99/618, 620; 219/524-525, 620-622, 732-734
See application file for complete search history.

(56) **References Cited**

U.S. PATENT DOCUMENTS

- D166,225 S * 3/1952 Popeil D7/609
- D372,399 S * 8/1996 Wang D7/609
- 5,934,180 A * 8/1999 Lin 99/340
- D423,280 S * 4/2000 Lin D7/363
- D428,775 S * 8/2000 Chen D7/609
- 6,363,842 B1 * 4/2002 Lin 99/425
- D480,594 S * 10/2003 Ancona et al. D7/329
- D528,371 S * 9/2006 de Groote D7/609

- D533,717 S * 12/2006 Nguy et al. D3/298
- D546,619 S * 7/2007 McHutchison D7/352
- D548,000 S * 8/2007 Mangano D7/352

FOREIGN PATENT DOCUMENTS

WO WO 2005037035 A1 * 4/2005

* cited by examiner

Primary Examiner—Stella M. Reid

Assistant Examiner—Ricky Pham

(74) *Attorney, Agent, or Firm*—Lau & Associates, LLC

(57) **CLAIM**

The ornamental design for a combined grill and cake maker, as shown and described.

DESCRIPTION

FIG. 1 is a front elevational view of a combined grill and cake maker showing my new design;

FIG. 2 is a rear elevational view thereof;

FIG. 3 is a left elevational view thereof;

FIG. 4 is a right elevational view thereof;

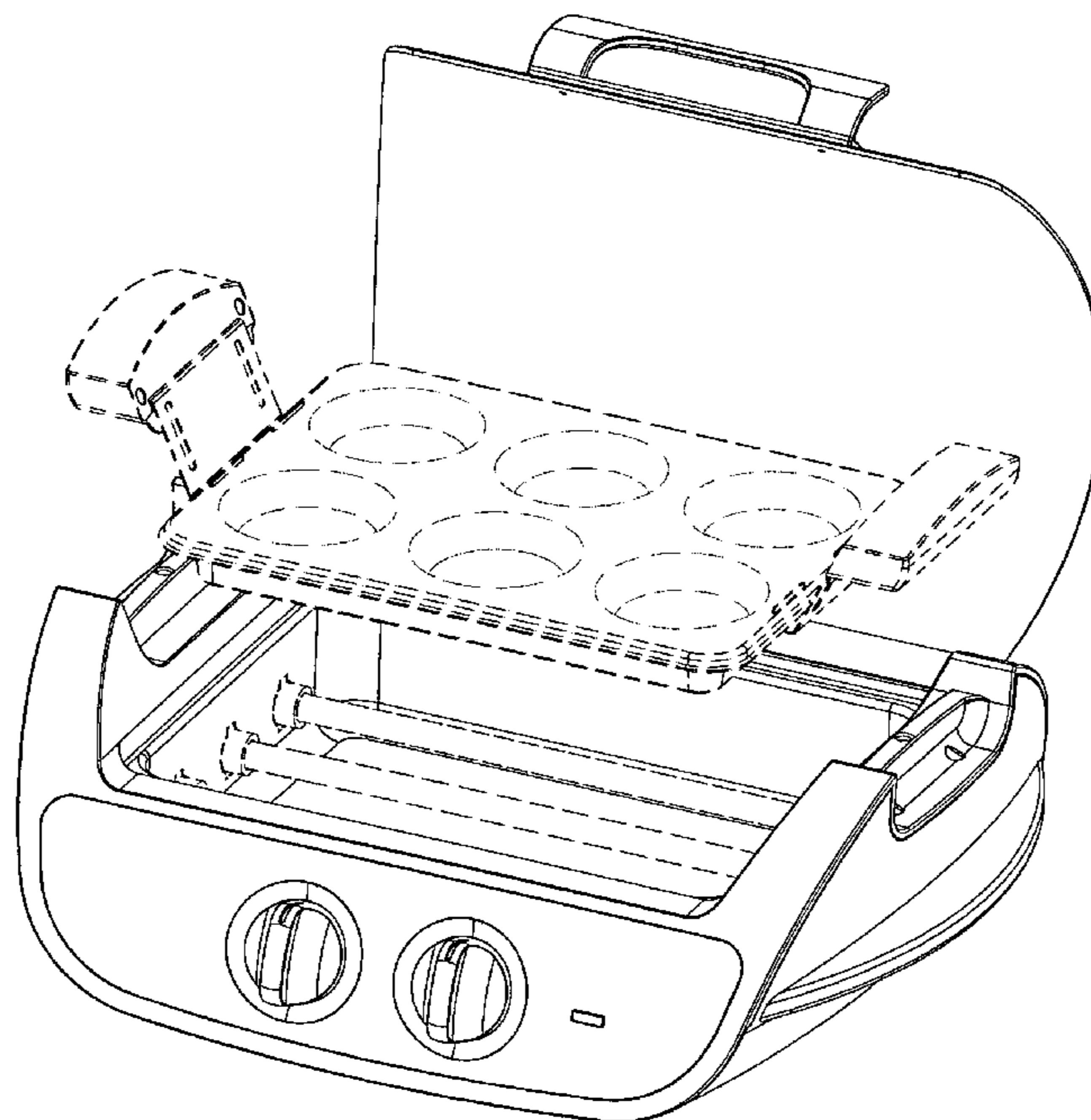
FIG. 5 is a top plan view thereof;

FIG. 6 is a bottom plan view thereof; and,

FIG. 7 is an exploded perspective view thereof.

The broken lines shown in the drawings are for illustrative purposes only and form no part of the claimed design.

1 Claim, 7 Drawing Sheets



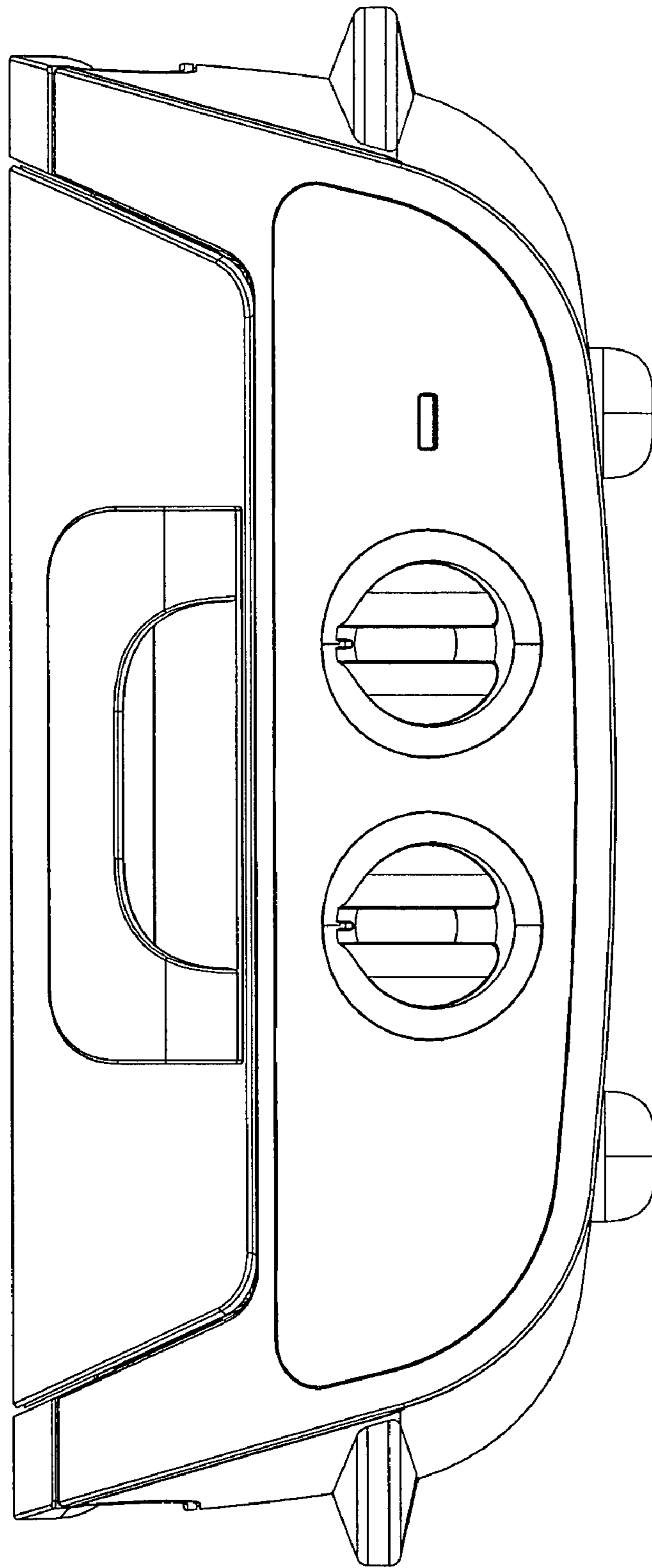


FIG. 1

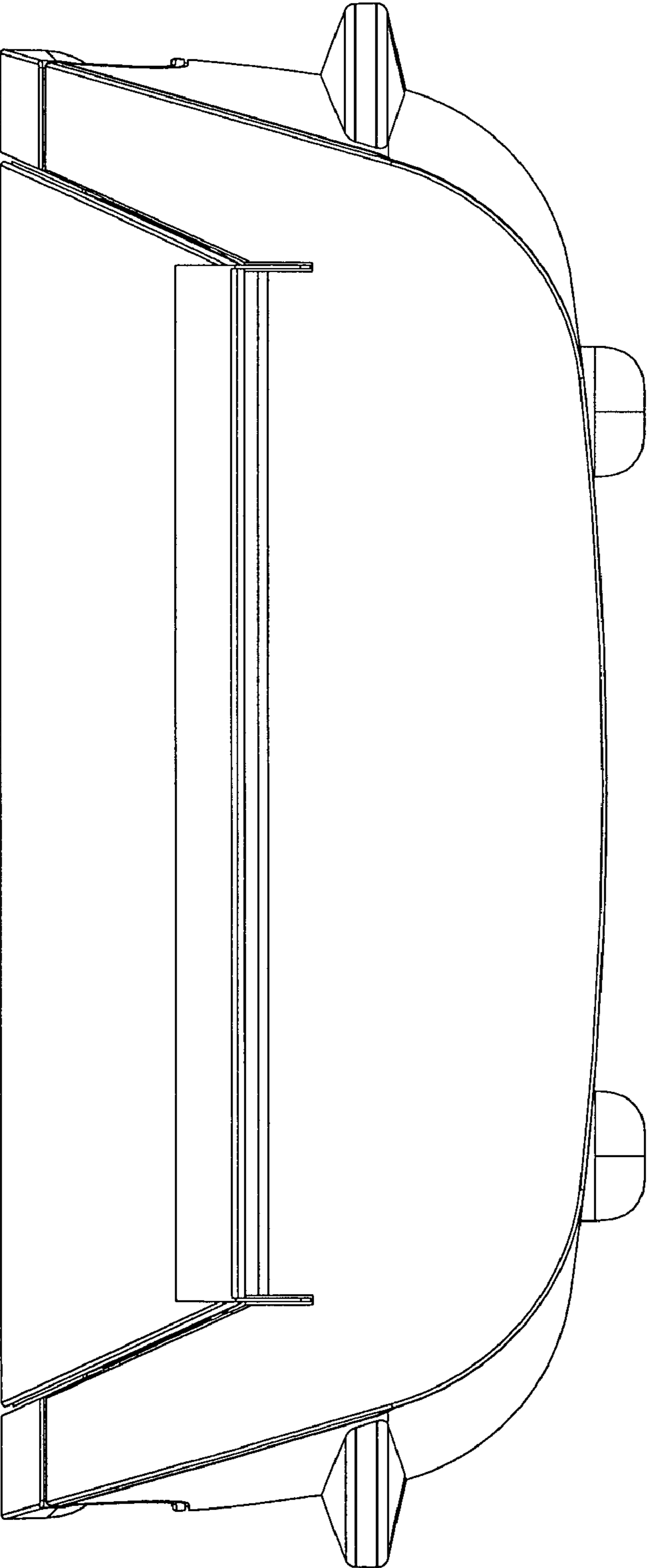


FIG. 2

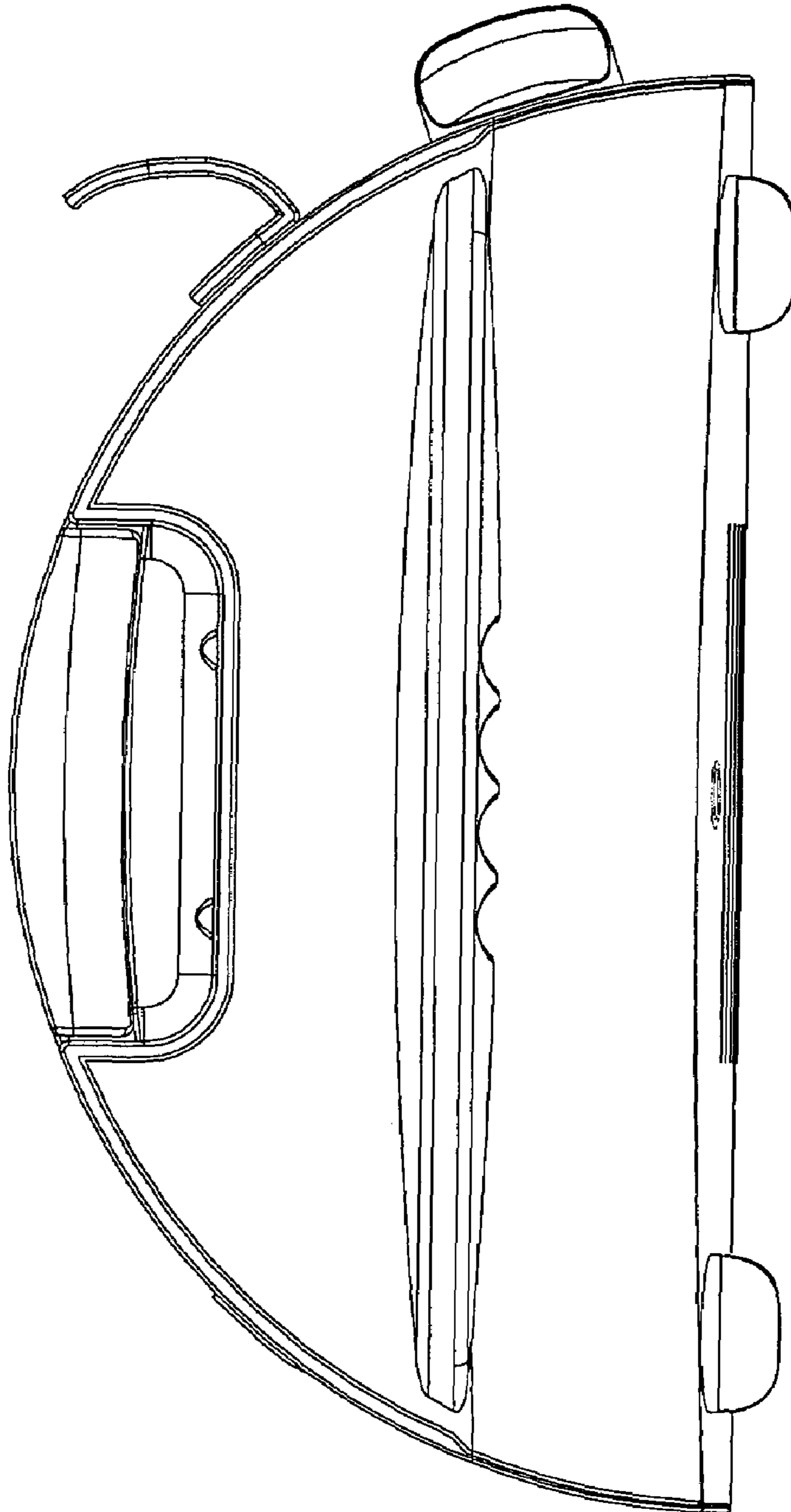


FIG. 3

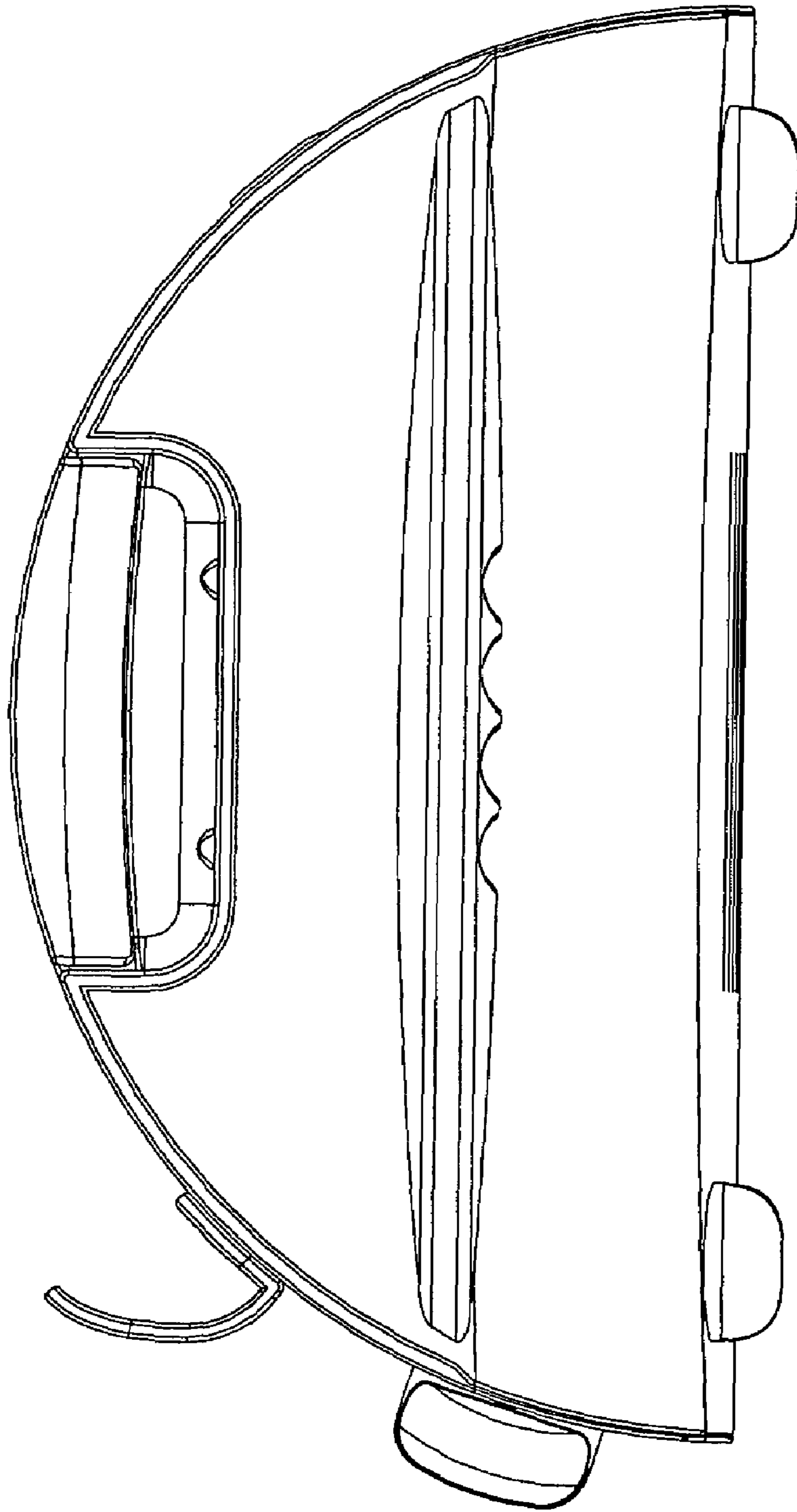


FIG. 4

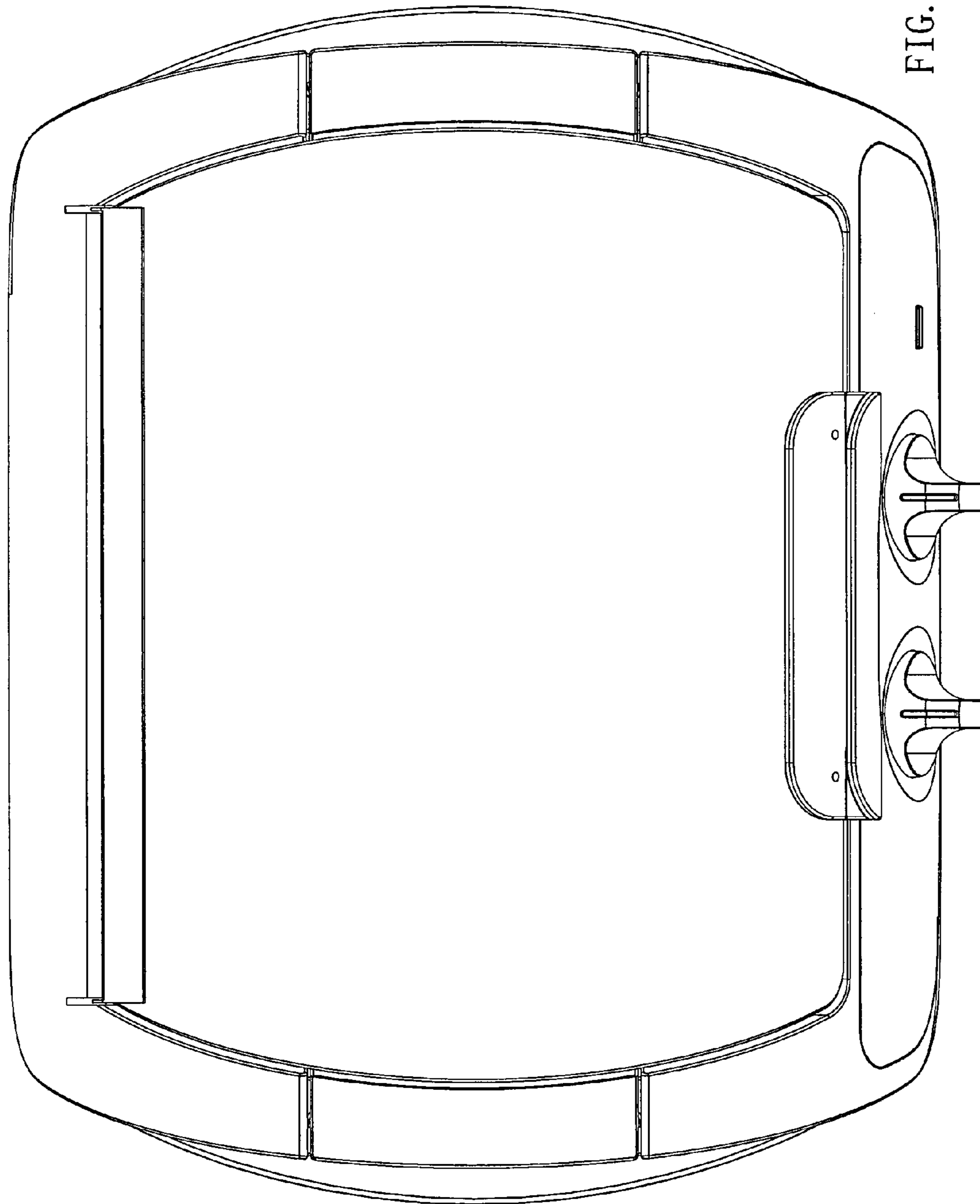


FIG. 5

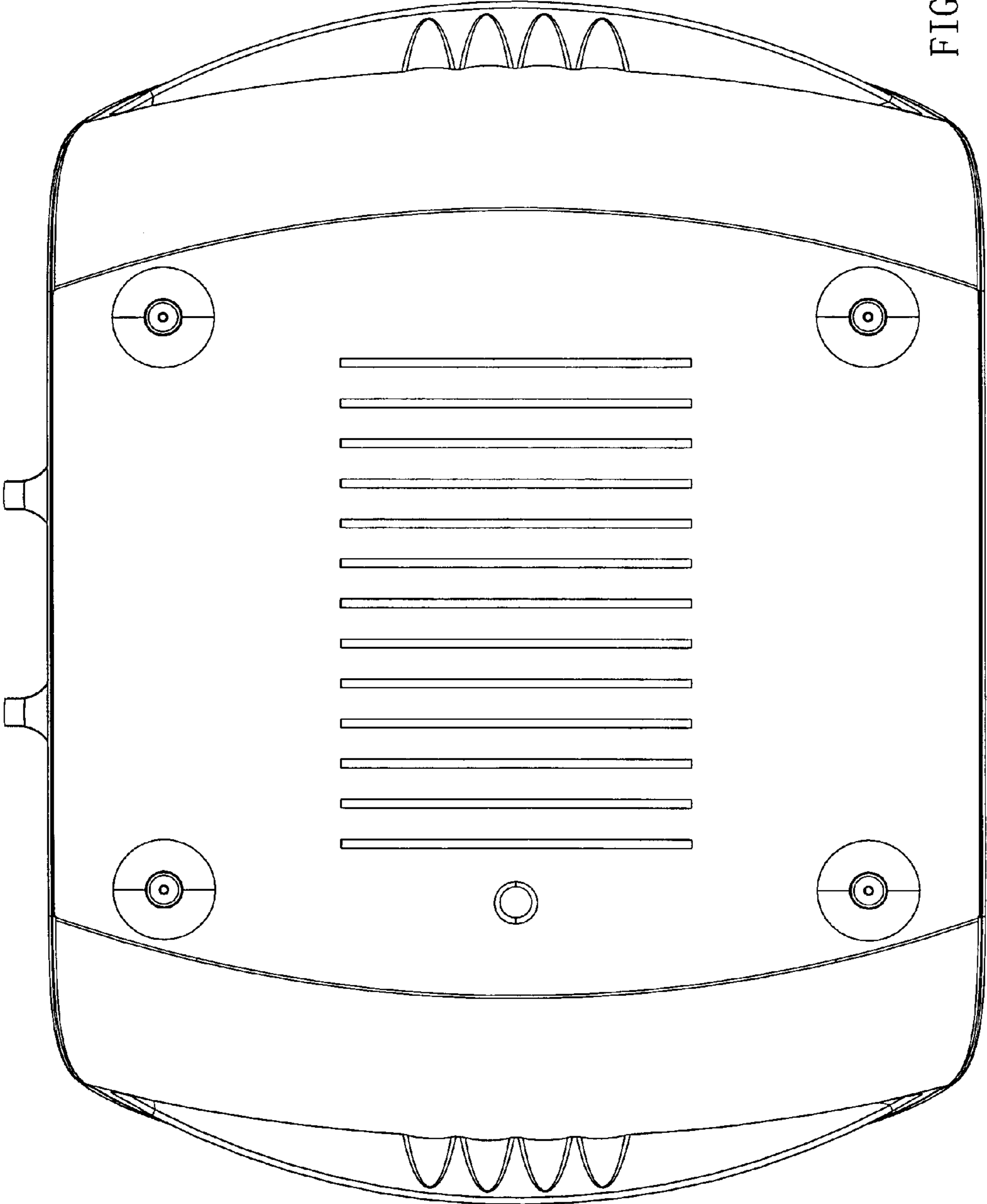


FIG. 6

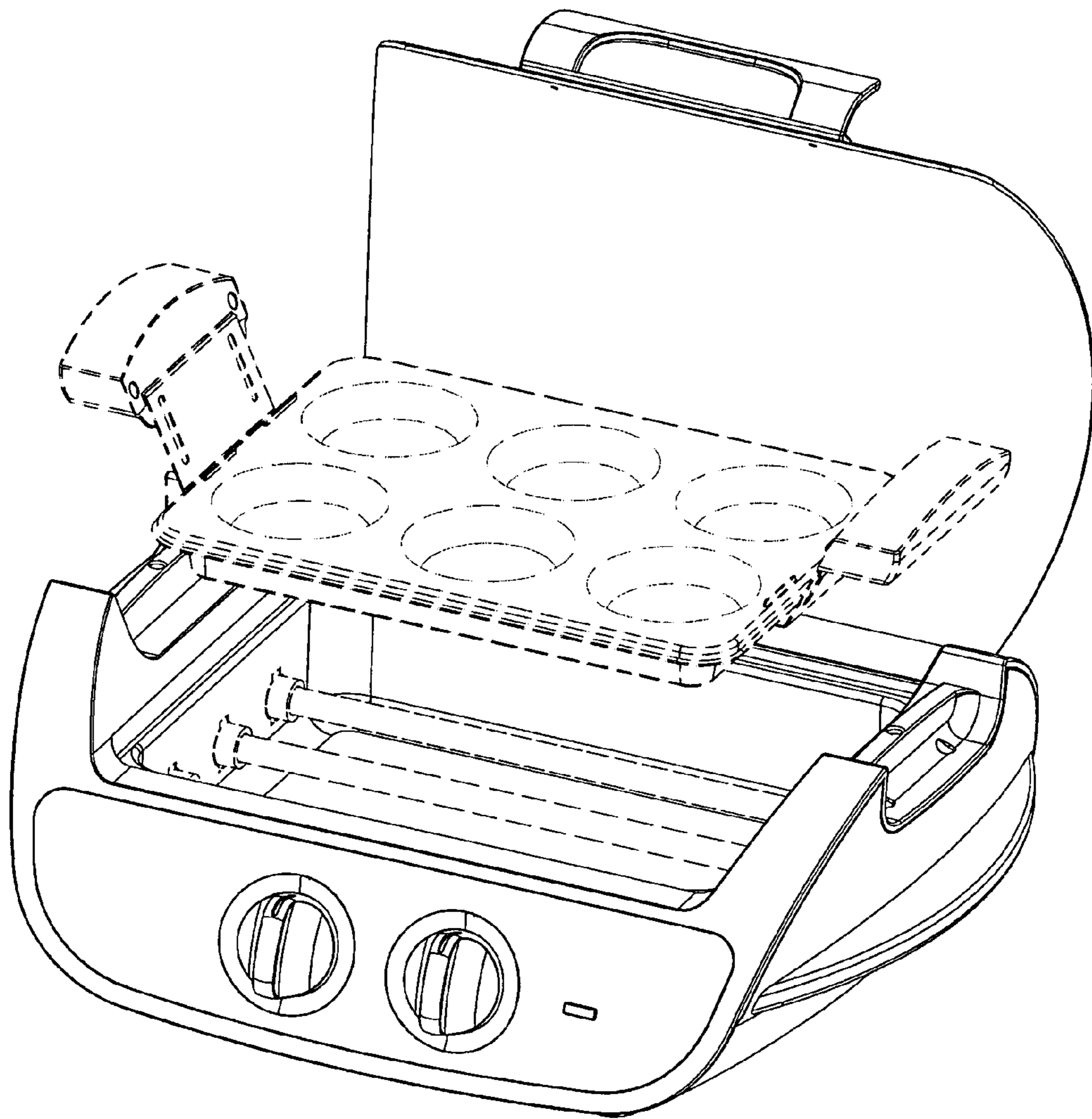


FIG. 7