



US00D571140S

(12) **United States Design Patent**
Knee et al.

(10) **Patent No.:** **US D571,140 S**
(45) **Date of Patent:** **** Jun. 17, 2008**

(54) **BED RAIL COVER**

(75) Inventors: **Barrie Knee**, 7 Jackson Ct., Monmouth Beach, NJ (US) 07750-1058; **Ilene Gore**, Fair Haven, NJ (US)

(73) Assignee: **Barrie Knee**, Short Hills, NJ (US)

(**) Term: **14 Years**

(21) Appl. No.: **29/289,194**

(22) Filed: **Jul. 11, 2007**

(51) **LOC (8) Cl.** **06-13**

(52) **U.S. Cl.** **D6/610**

(58) **Field of Classification Search** D6/610,
D6/611, 612, 616, 596, 601, 606, 607, 504,
D6/491, 331, 579; 5/663, 512, 946, 93.1,
5/100; 160/638.1, 327-329, 330, 348, 349.1,
160/45, 46, 35; 128/872

See application file for complete search history.

(56) **References Cited**

U.S. PATENT DOCUMENTS

1,259,011	A *	3/1918	Gerer	160/330
2,204,723	A *	6/1940	Compton	160/348
2,343,581	A *	3/1944	Reeves	5/512
3,996,987	A *	12/1976	Rodriguez	160/330
D314,304	S *	2/1991	Levine	D6/606

D322,476	S *	12/1991	Lytle	D6/610
5,615,722	A *	4/1997	Garrett et al.	160/330
D427,834	S *	7/2000	Buckley	D6/610
D471,049	S *	3/2003	Dale	D6/596
D478,762	S *	8/2003	Cunningham	D6/610
D484,351	S *	12/2003	Bridge	D6/611
D540,604	S *	4/2007	Hart	D6/596
2004/0045684	A1 *	3/2004	Smith et al.	160/348

* cited by examiner

Primary Examiner—Louis S Zarfaz

Assistant Examiner—David G Muller

(74) *Attorney, Agent, or Firm*—Mandel & Peslak, LLC; Arthur M. Peslak

(57) **CLAIM**

The ornamental design for a bed rail cover, as shown and described.

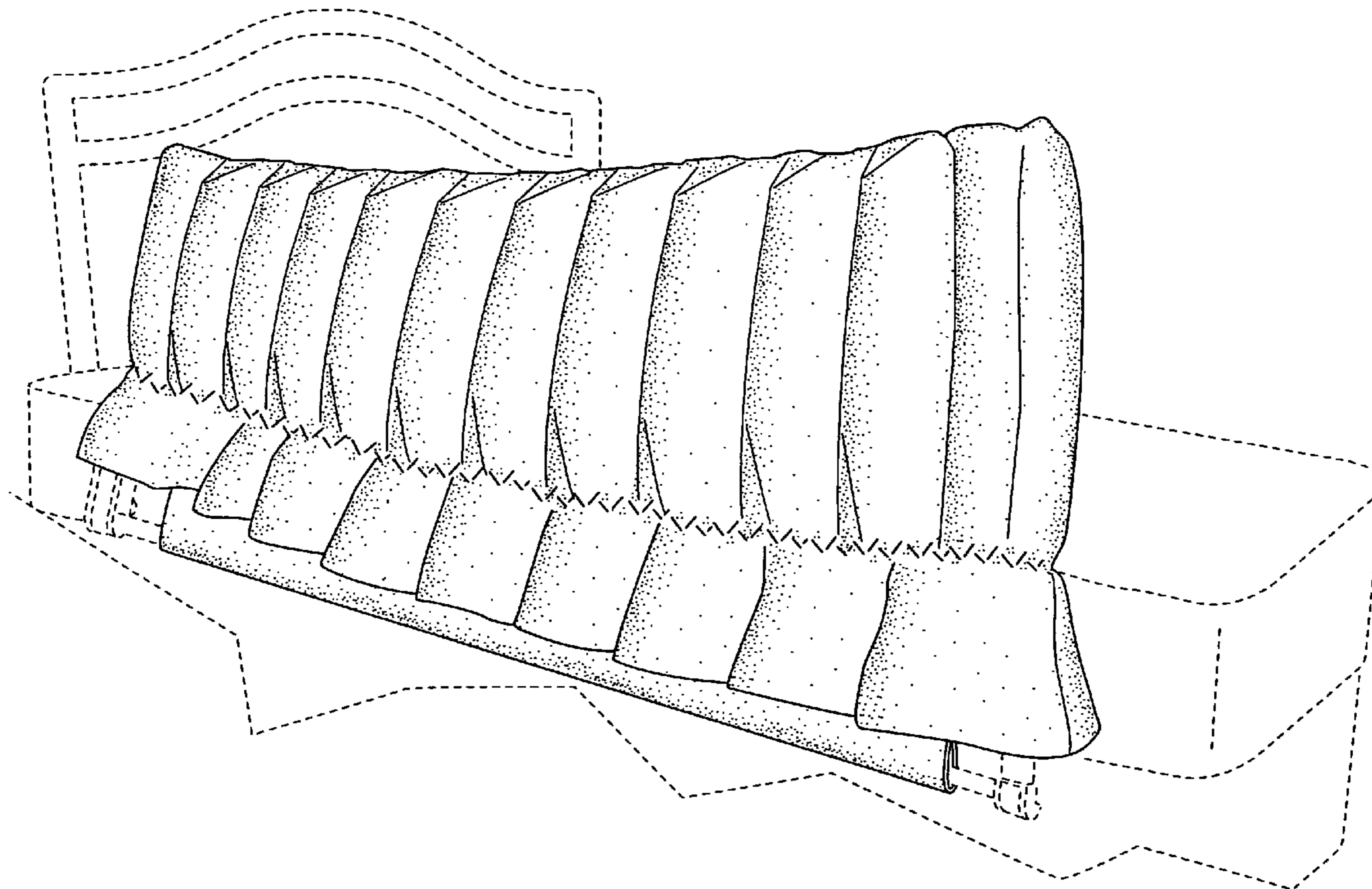
DESCRIPTION

FIG. 1 is a front perspective view of the bed rail cover of the present invention.

FIG. 2 is a front elevation view of the bed rail cover of the present invention; and,

FIG. 3 is a side elevation view of the bed rail cover of the present invention.

1 Claim, 3 Drawing Sheets



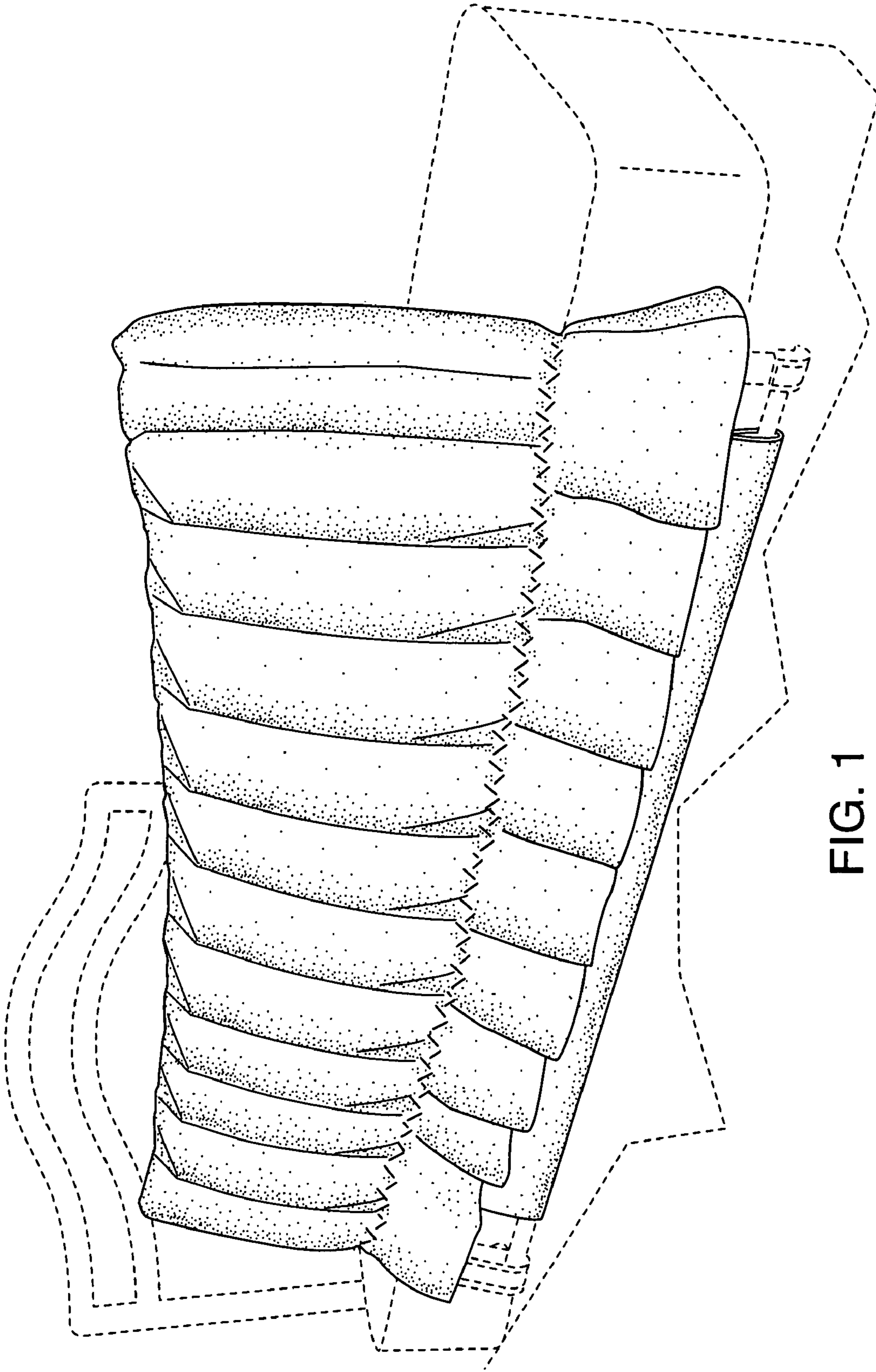


FIG. 1

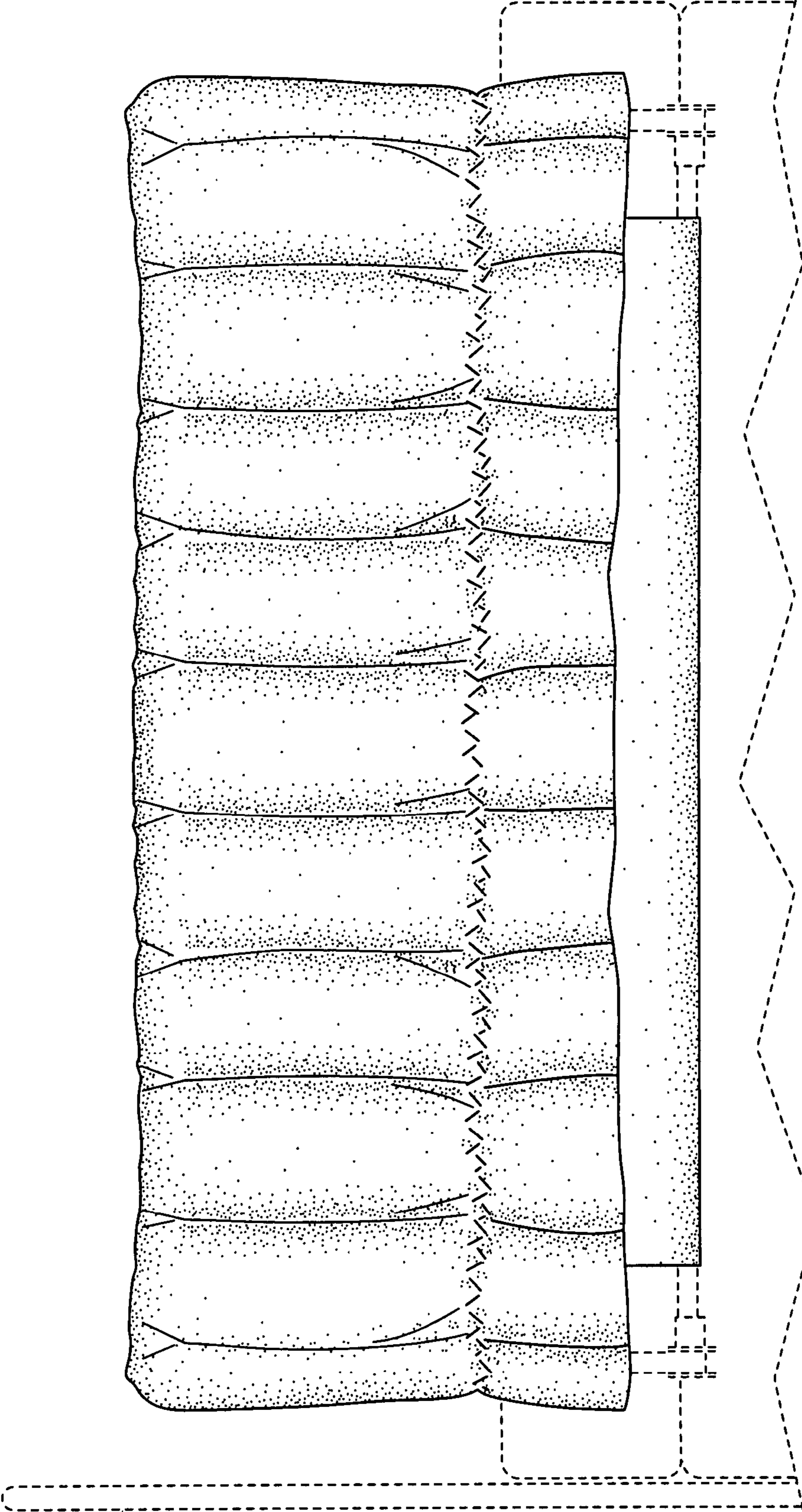


FIG. 2

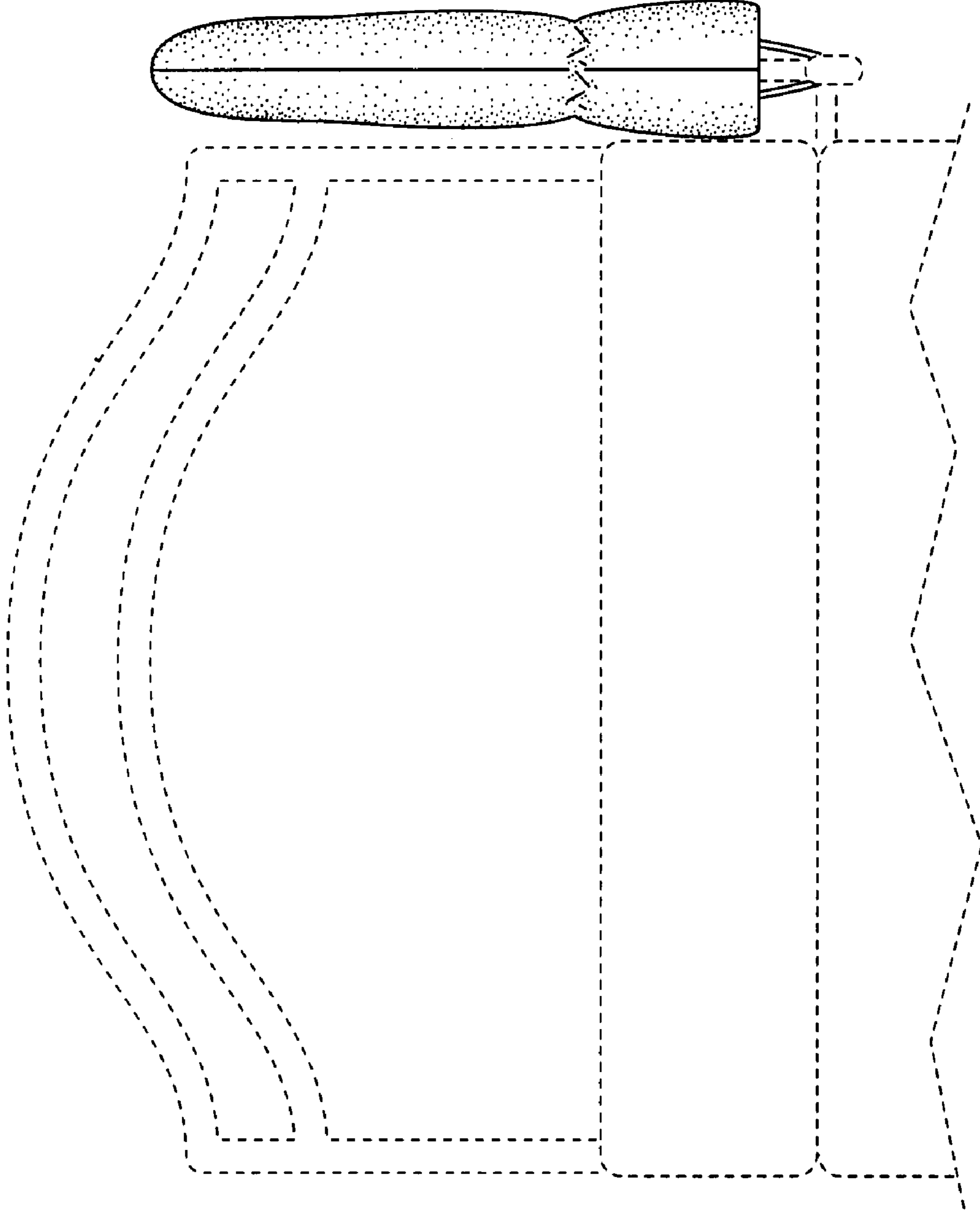


FIG. 3