

US00D571138S

(12) **United States Design Patent**
Riley

(10) **Patent No.:** **US D571,138 S**

(45) **Date of Patent:** **** Jun. 17, 2008**

(54) **LOOP MOUNTABLE BALL RACK**

(75) Inventor: **Steven Andrew Riley**, Loganville, GA
(US)

(73) Assignee: **Steven Riley**, Loganville, GA (US)

(**) Term: **14 Years**

(21) Appl. No.: **29/283,079**

(22) Filed: **Aug. 6, 2007**

(51) **LOC (8) Cl.** **08-08**

(52) **U.S. Cl.** **D6/552**

(58) **Field of Classification Search** D6/512-514,
D6/516, 524, 525, 546, 552, 553, 567; D3/5,
D3/7, 254, 257, 258; D8/349, 354, 363,
D8/367, 368, 373, 380; D19/75, 81, 100;
D28/73, 99; 206/315.1, 315.9, 349; 211/1,
211/13.1, 14, 15, 23, 26.2, 30, 32, 62-69,
211/69.1, 69.5, 70.2, 70.5, 70.6, 70.7, 70.8,
211/71.01, 74, 75, 85.18, 85.19, 85.21, 85.22,
211/85.23, 86.01, 87.01, 88.03, 89.01, 90.03,
211/100, 105.2, 106, 106.01, 180, 181.1,
211/182; 248/49, 51, 65, 68.1, 74.1, 74.2,
248/74.3, 102, 103, 110-112, 175, 176.1,
248/200, 205.1, 218.4, 302, 309.1, 310, 311.2,
248/312, 314

See application file for complete search history.

(56) **References Cited**

U.S. PATENT DOCUMENTS

D248,809 S * 8/1978 Kailey D6/552

D389,688 S * 1/1998 Iacono D6/552
D406,978 S * 3/1999 Cox D6/566
D419,812 S * 2/2000 Robichaud D6/566
D505,038 S * 5/2005 Rose D6/552
D557,540 S * 12/2007 Maycock D6/552

* cited by examiner

Primary Examiner—Brian N Vinson

(57) **CLAIM**

I claim the ornamental design for loop mountable ball rack,
as shown and described.

DESCRIPTION

FIG. 1 is a perspective view of a loop mountable ball rack,
showing my new design;

FIG. 2 is a front elevational view of the invention;

FIG. 3 is a rear elevational view of the invention;

FIG. 4 is a left-side elevational view of the invention;

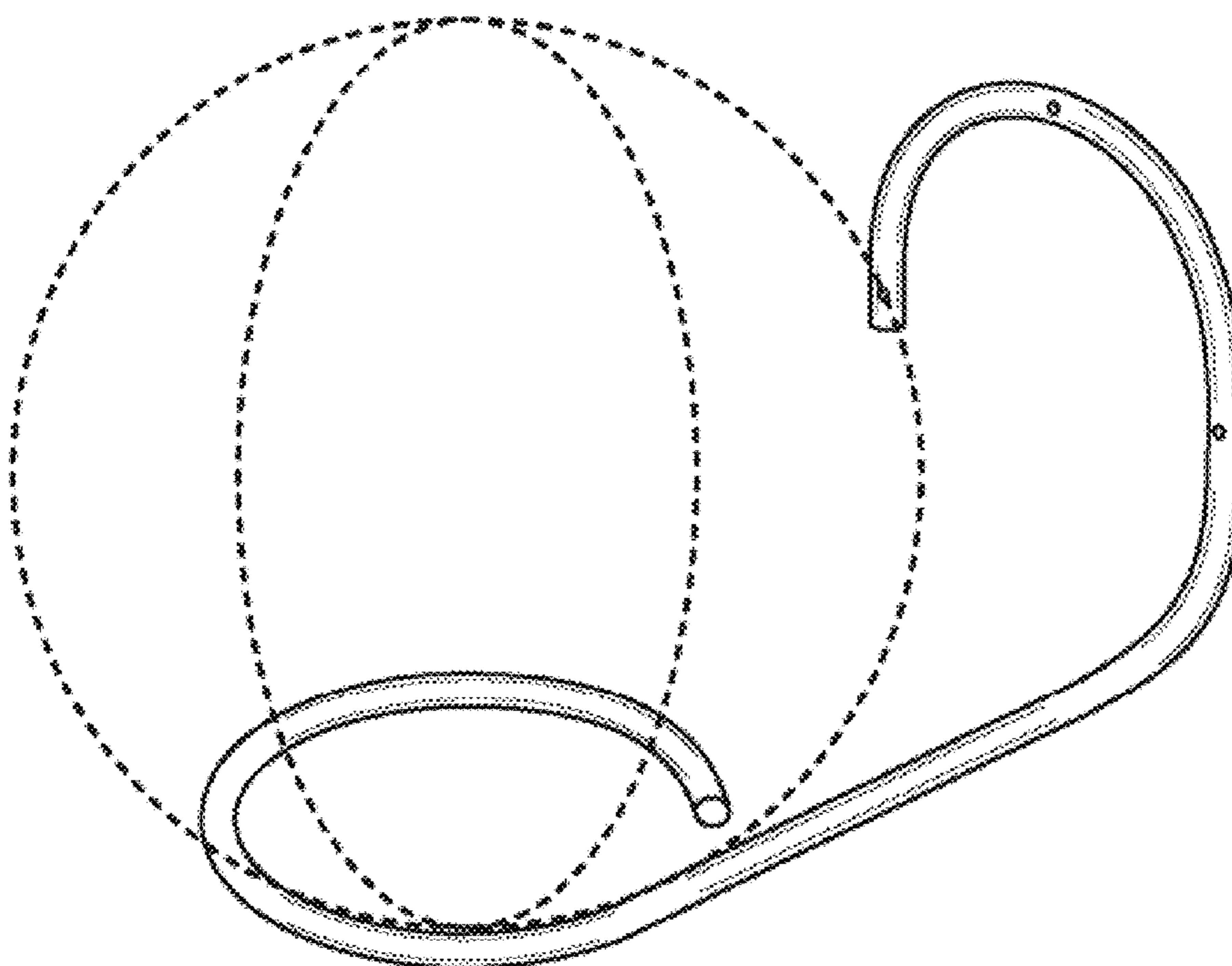
FIG. 5 is a right-side elevational view of the invention;

FIG. 6 is a top plan view of the invention; and,

FIG. 7 is a bottom plan view of the invention.

The broken lines showing a ball in FIG. 1 are included for
the purpose of illustrating the invention in use, and form no
part of the claimed design.

1 Claim, 2 Drawing Sheets



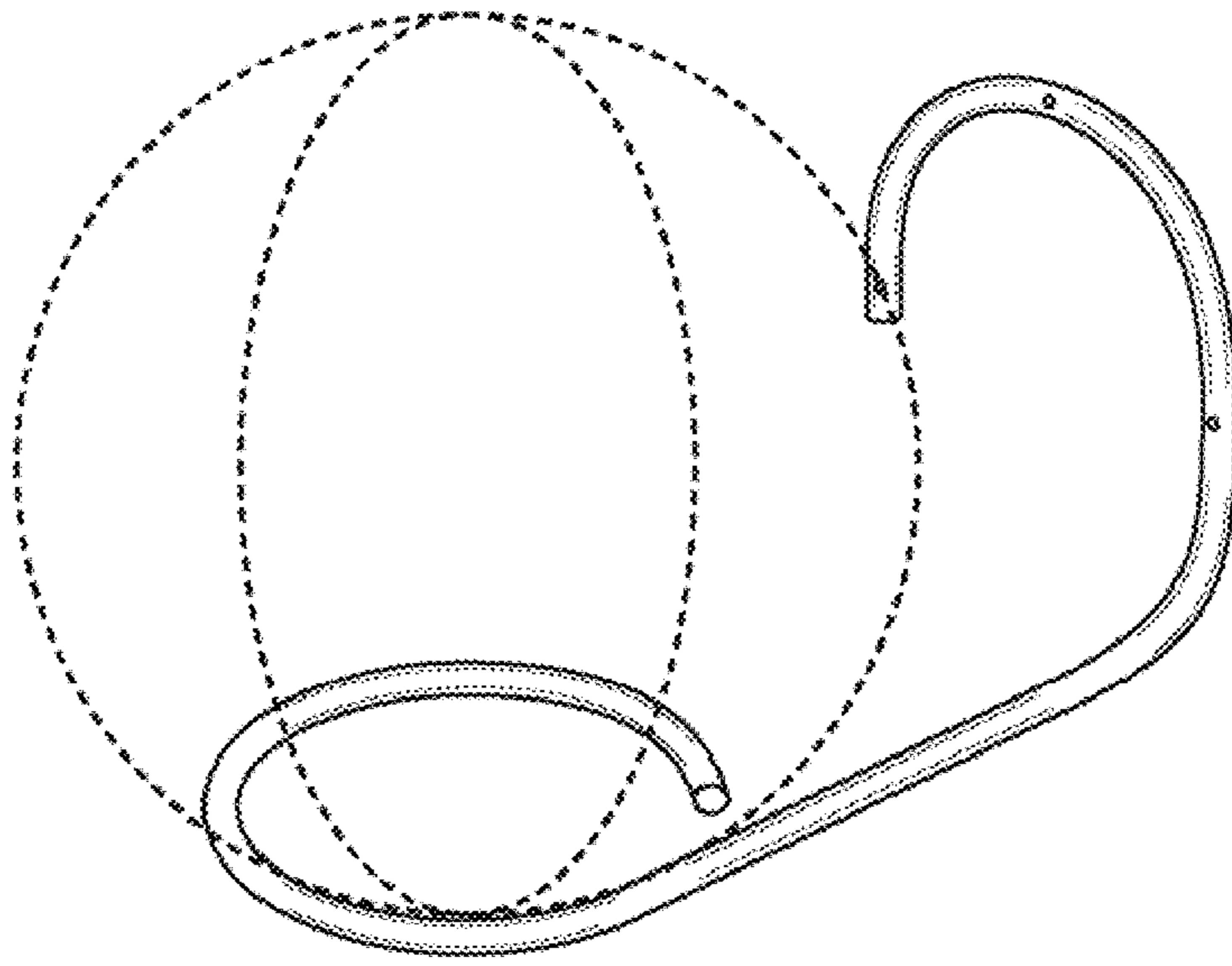


FIG. 1

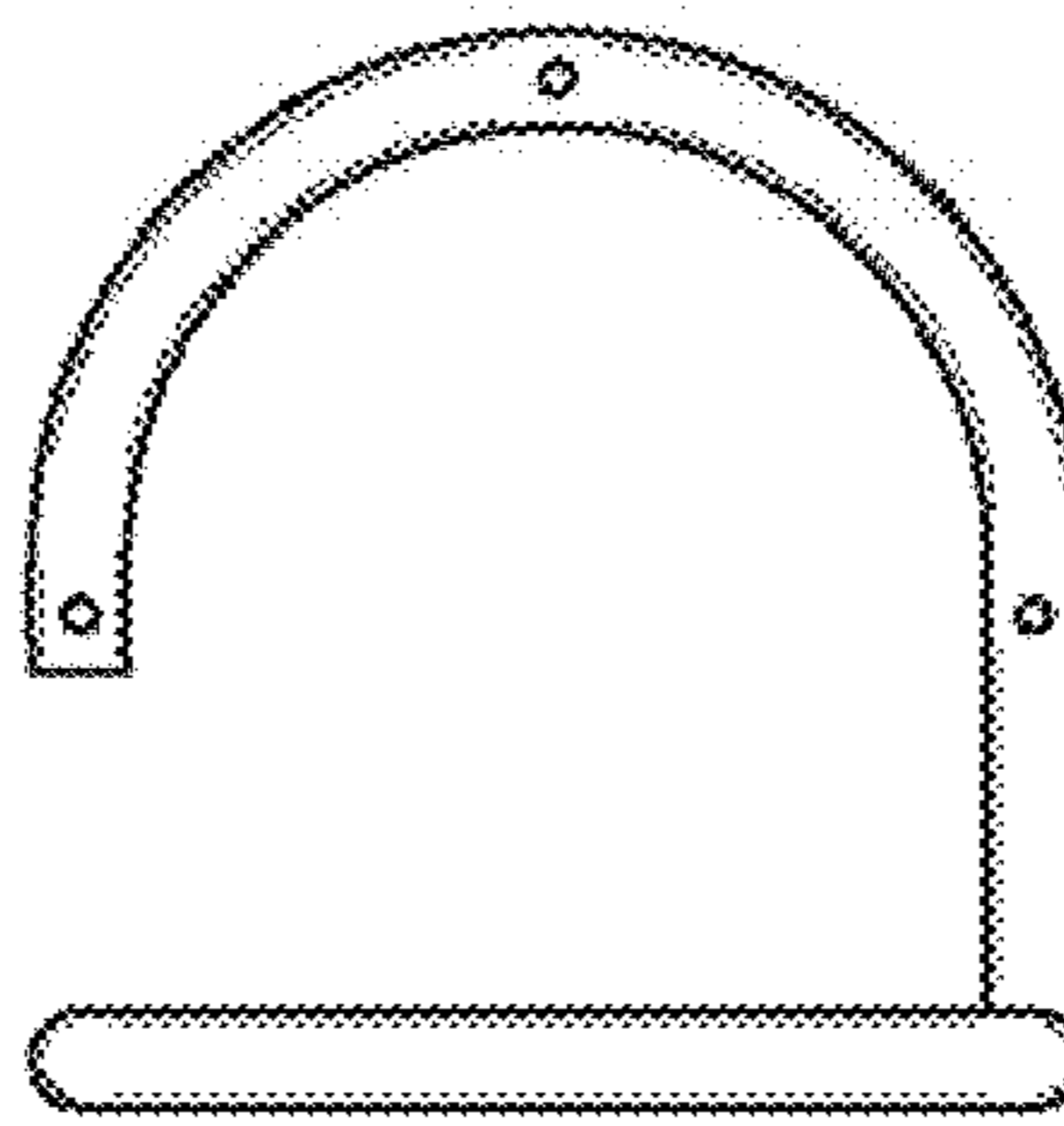


FIG. 2

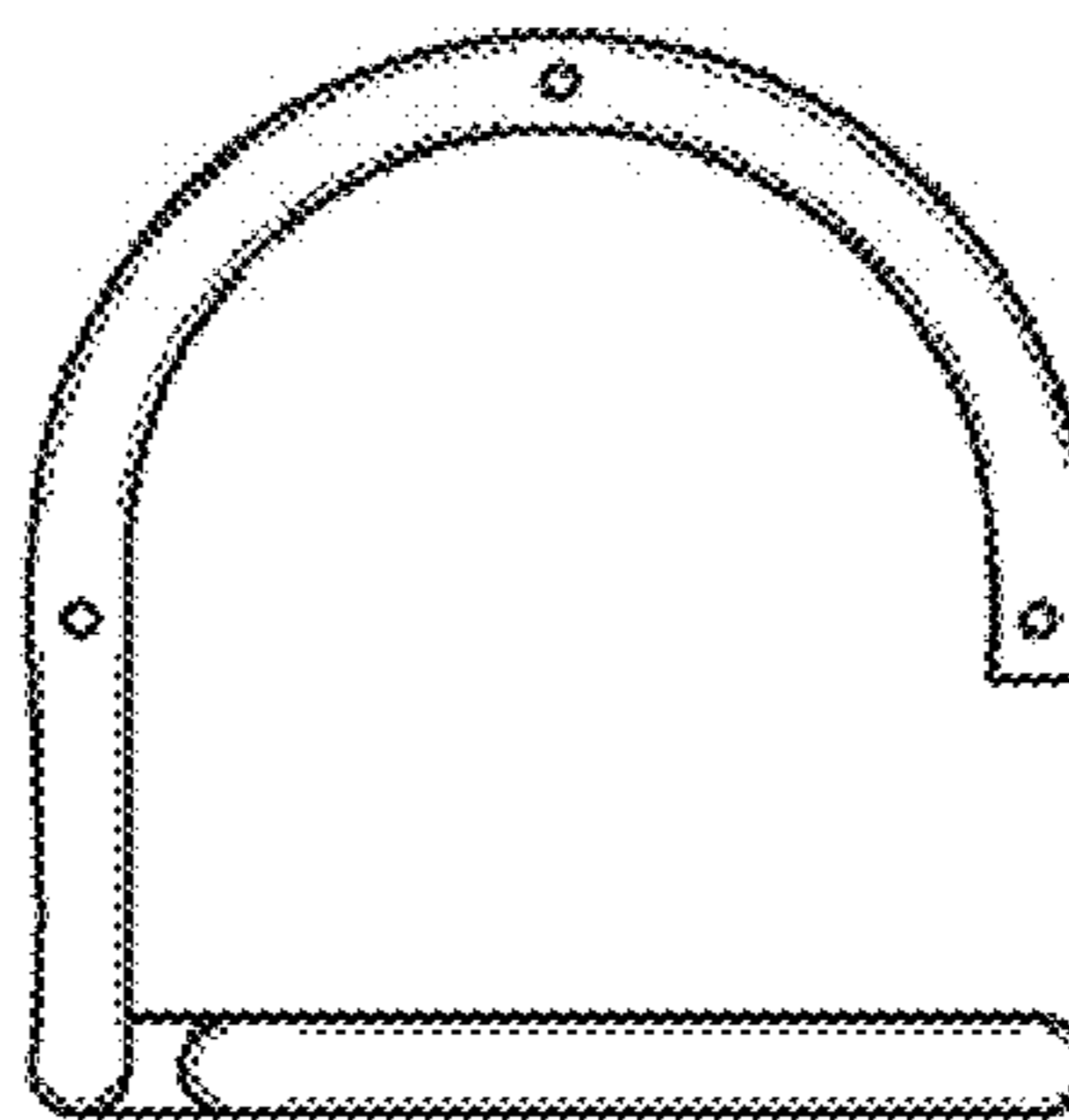


FIG. 3

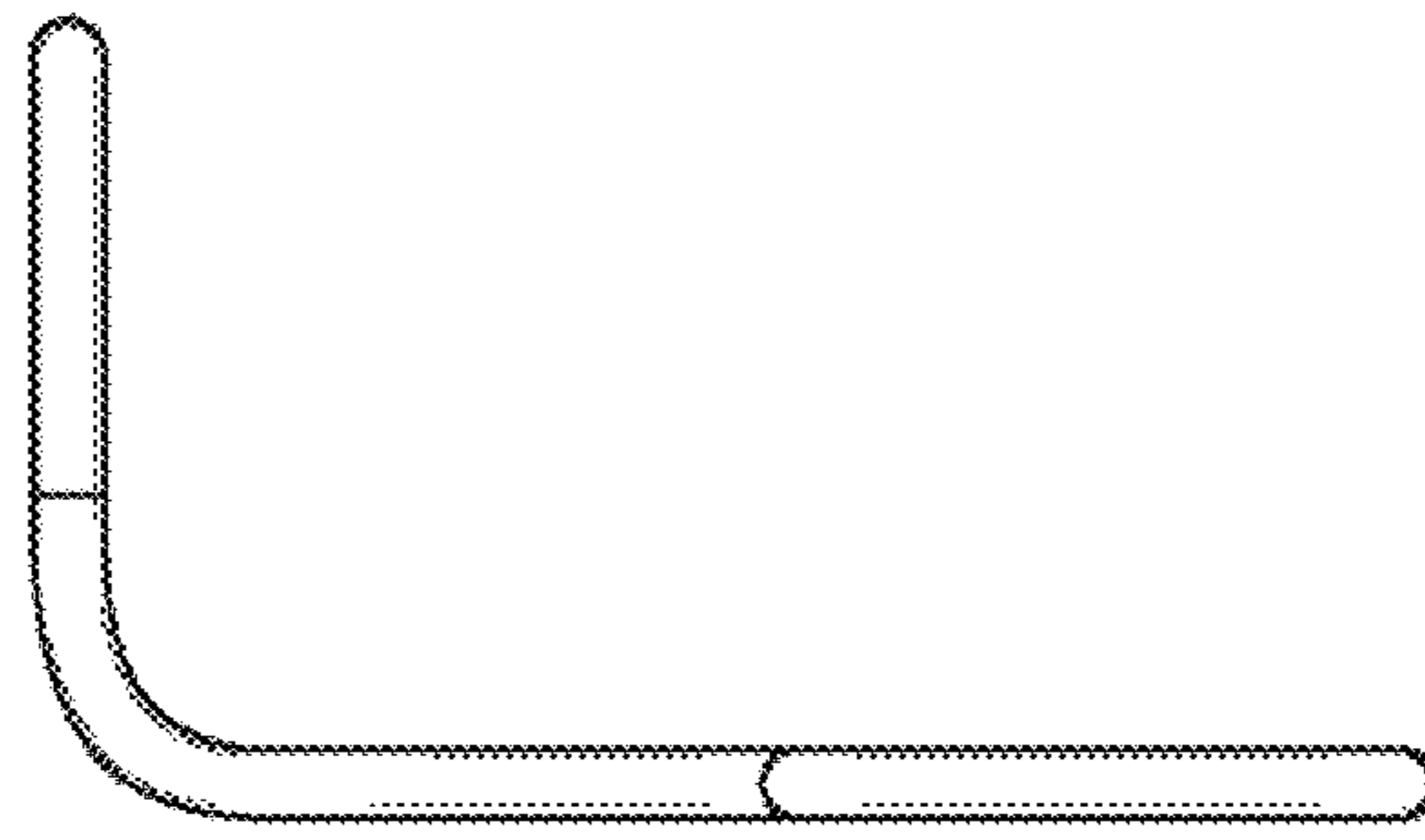


FIG. 4

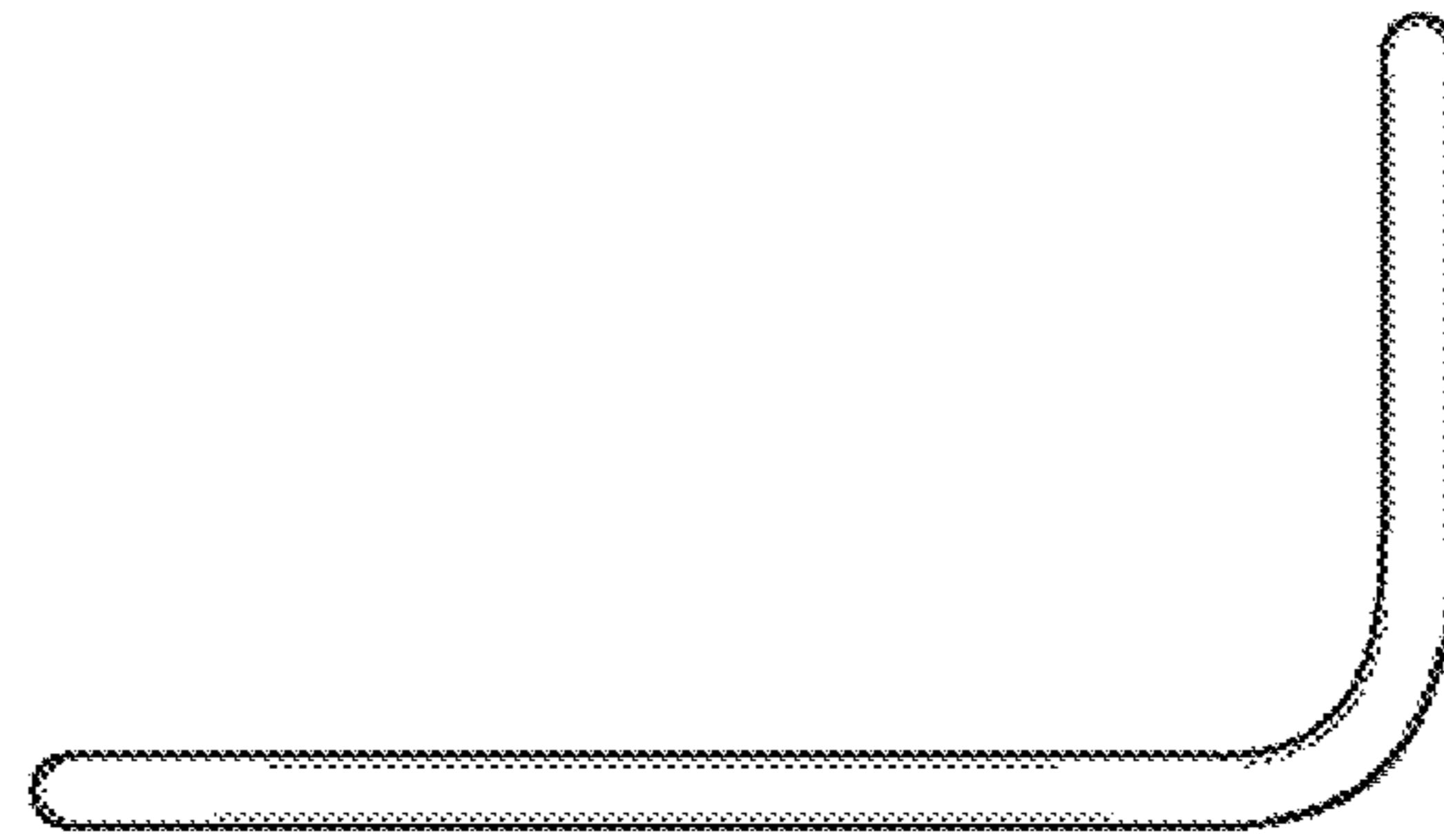


FIG. 5

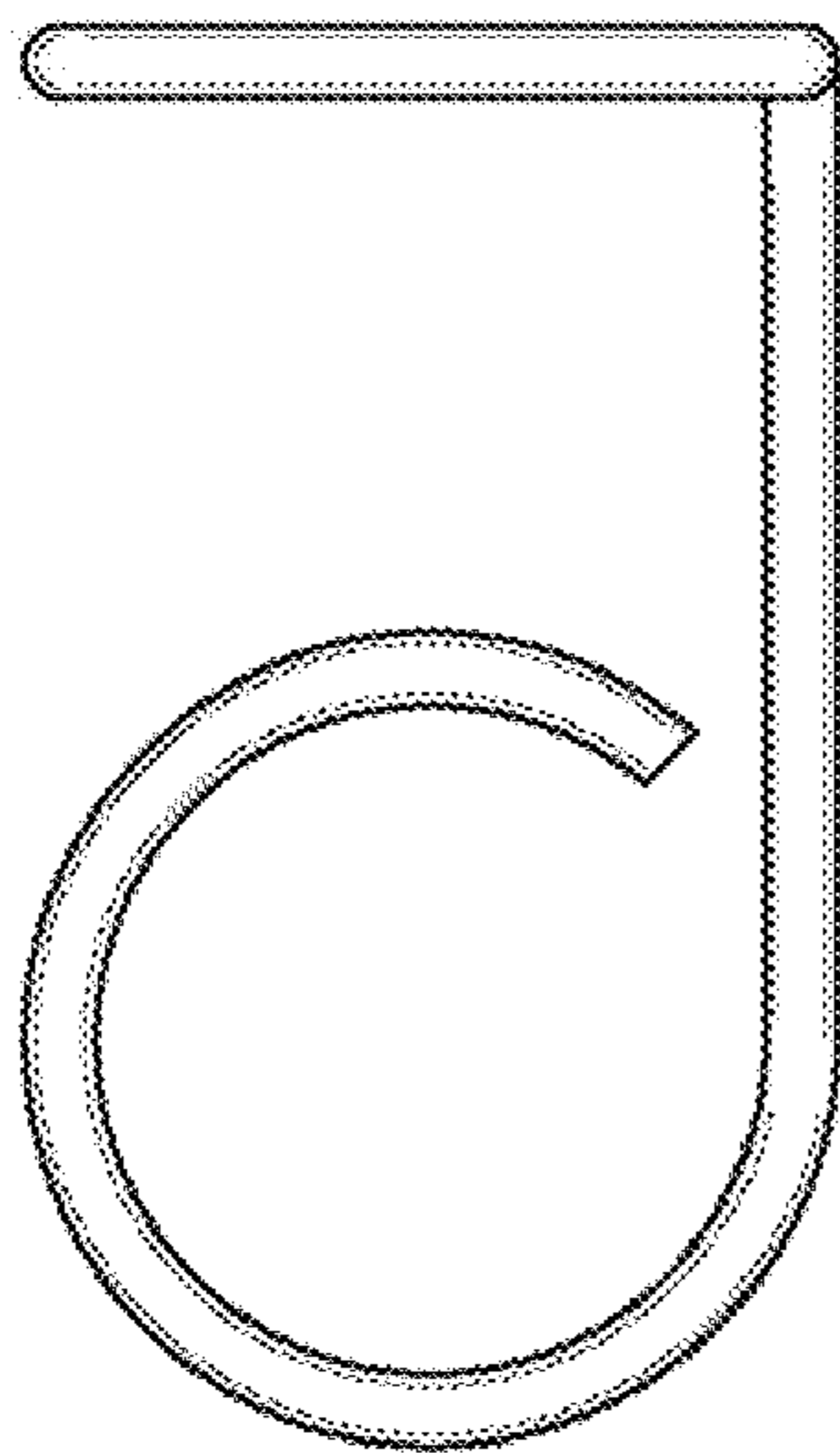


FIG. 6

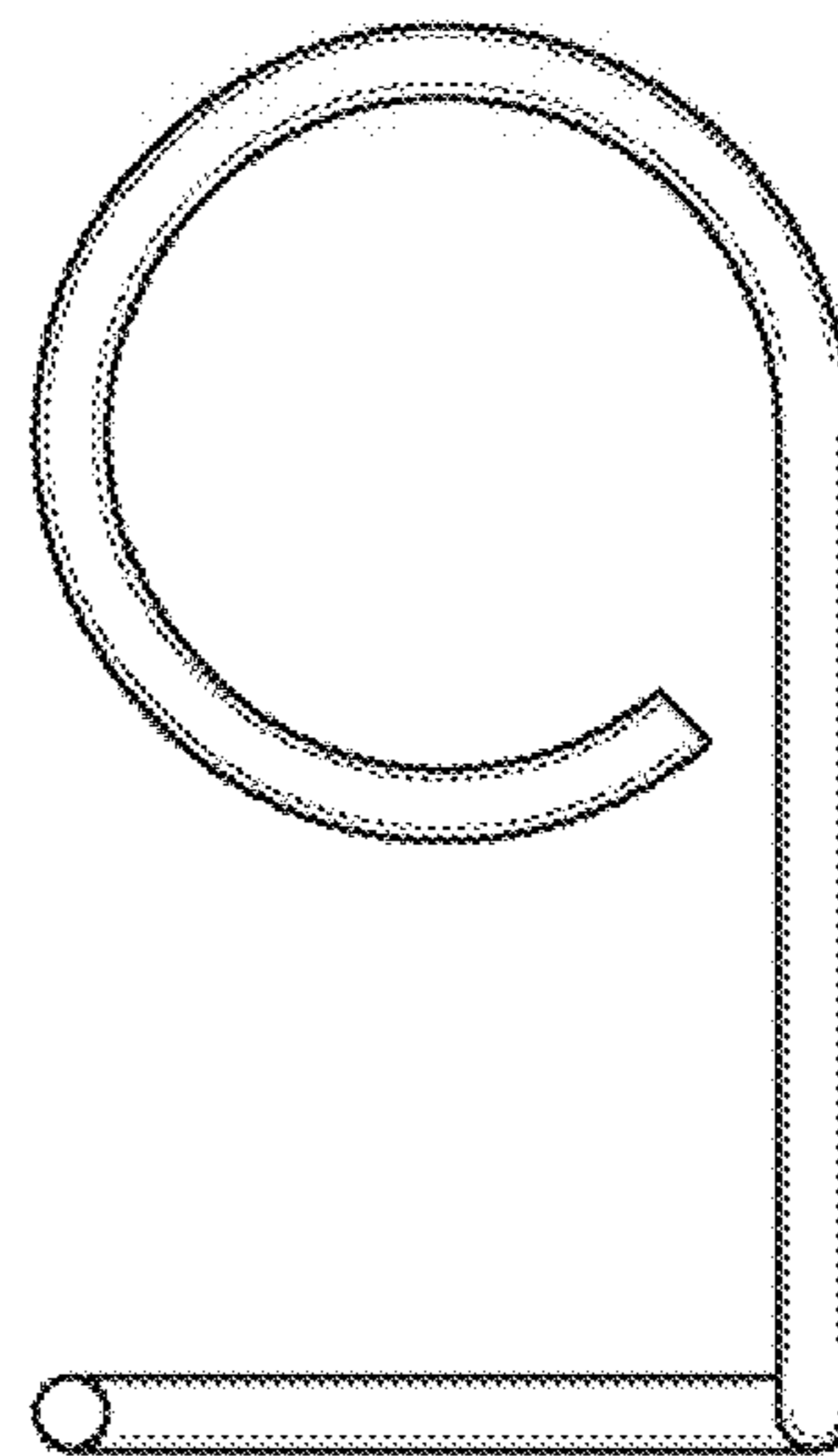


FIG. 7