



US00D571137S

(12) **United States Design Patent**  
**Ricereto**

(10) **Patent No.:** **US D571,137 S**  
(45) **Date of Patent:** **\*\* Jun. 17, 2008**

(54) **TOWEL RING**  
(75) Inventor: **Michael Hart Ricereto**, Baltimore, MD  
(US)  
(73) Assignee: **Newell Operating Company**, Atlanta,  
GA (US)

D249,418 S 9/1978 Tegner  
D249,419 S 9/1978 Tegner  
D251,462 S 4/1979 Tegner  
D251,543 S 4/1979 Pittenger  
D251,544 S 4/1979 Tegner  
D251,882 S 5/1979 Tegner

(Continued)

(\*\*) Term: **14 Years**  
(21) Appl. No.: **29/279,668**  
(22) Filed: **May 4, 2007**

**OTHER PUBLICATIONS**

Amerock Decorative Hardware Catalog, Jul. 2006, p. 47, published  
in USA.

(Continued)

(51) **LOC (8) Cl.** ..... **06-04**  
(52) **U.S. Cl.** ..... **D6/546**  
(58) **Field of Classification Search** ..... D6/546-550;  
D8/300, 303, 315, 321, 349, 354, 363, 373,  
D8/380; 108/28-29; 248/176.1, 251, 302,  
248/309.1, 309.2; 16/110.1, 412, 415; 242/570,  
242/590, 595-598; 211/13.1, 16, 60.1, 100,  
211/86.01, 87.01, 88.01, 88.04, 105.1, 105.2,  
211/123, 182, 181.1

*Primary Examiner*—Brian N Vinson  
(74) *Attorney, Agent, or Firm*—Banner & Witcoff, Ltd.

See application file for complete search history.

(57) **CLAIM**

I claim the ornamental design for a towel ring, as shown and  
described.

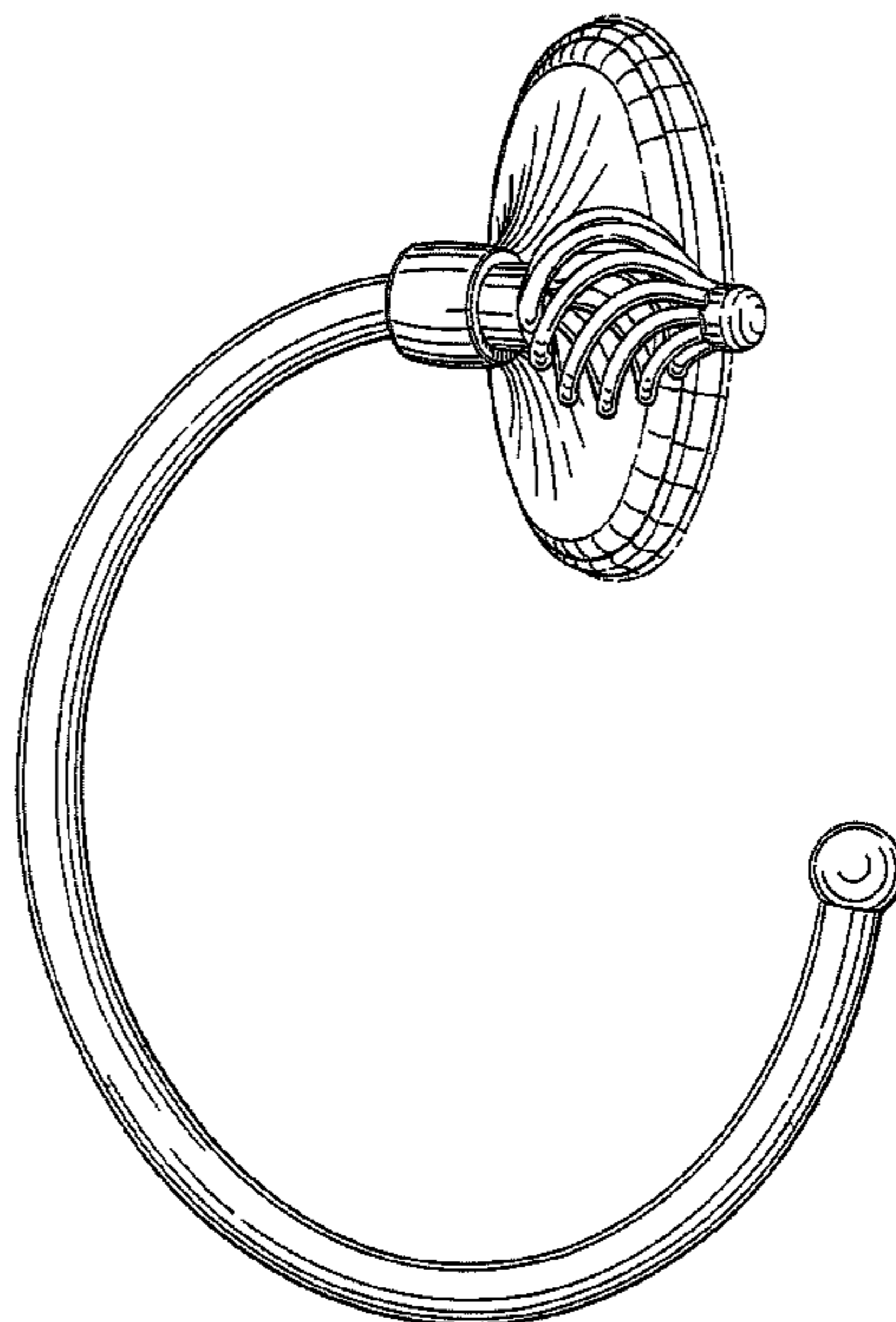
(56) **References Cited**  
**U.S. PATENT DOCUMENTS**

**DESCRIPTION**

FIG. 1 is a perspective view of a towel ring of the present  
claimed design;  
FIG. 2 is a front view of the towel ring shown in FIG. 1;  
FIG. 3 is a right side view of the towel ring shown in FIG.  
1;  
FIG. 4 is a left side view of the towel ring shown in FIG. 1;  
FIG. 5 is a top view of the towel ring shown in FIG. 1;  
FIG. 6 is a bottom view of the towel ring shown in FIG. 1;  
and,  
FIG. 7 is a rear view of the towel ring shown in FIG. 1.  
Features shown in broken lines in the drawings form no part  
of the claimed design.

D244,422 S 5/1977 Clayton  
D244,652 S 6/1977 Tegner  
D244,653 S 6/1977 Tegner  
D244,654 S 6/1977 Tegner  
D246,404 S 11/1977 Tegner  
D246,406 S 11/1977 Tegner  
D246,435 S 11/1977 Stone  
D246,502 S 11/1977 Clayton  
D246,503 S 11/1977 Clayton  
D246,696 S 12/1977 Clayton  
D247,844 S 5/1978 Palm, Jr.  
D247,845 S 5/1978 Palm, Jr.

**1 Claim, 4 Drawing Sheets**



# US D571,137 S

Page 2

## U.S. PATENT DOCUMENTS

D252,317 S	7/1979	Clayton	D305,862 S	2/1990	Clayton
D253,380 S	11/1979	Pittenger	D305,863 S	2/1990	Gresens et al.
D253,381 S	11/1979	Tegner	D307,992 S	5/1990	Gresens et al.
D254,460 S	3/1980	Tegner	D326,997 S	6/1992	Clayton
D254,461 S	3/1980	Tegner	D327,420 S	6/1992	Bishop
D259,916 S	7/1981	Pittenger	D377,655 S	1/1997	Smith
D268,246 S	3/1983	Tegner	D386,667 S	11/1997	Smith
D276,976 S	1/1985	Tegner	D453,434 S *	2/2002	Ou-Young ..... D6/546
4,627,672 A	12/1986	DeBruyn	D454,457 S *	3/2002	Ou-Young ..... D6/546
4,637,582 A	1/1987	Boda	D460,892 S *	7/2002	Hoernig ..... D6/546
D290,338 S	6/1987	Tegner	D464,834 S *	10/2002	Yen ..... D6/546
D292,546 S	11/1987	Tegner	D521,290 S *	5/2006	Berberet ..... D6/546
4,718,625 A	1/1988	Boda	D521,293 S *	5/2006	Solowiej ..... D6/546
D293,988 S	2/1988	Tegner	D521,789 S *	5/2006	Berberet ..... D6/546
D293,989 S	2/1988	Tegner	D523,273 S *	6/2006	Ferrer Beltran ..... D6/546
D294,092 S	2/1988	Tegner	D533,383 S *	12/2006	Berberet et al. .... D6/546
D294,093 S	2/1988	Tegner	D540,084 S *	4/2007	Kennard ..... D6/550
D294,094 S	2/1988	Tegner	D551,479 S *	9/2007	Gilbert ..... D6/524
D294,095 S	2/1988	Tegner			
D294,309 S	2/1988	Tegner			
D299,095 S	12/1988	Gresens et al.			
D299,099 S	12/1988	Gresens et al.			
D300,998 S	5/1989	Gresens et al.			

## OTHER PUBLICATIONS

Amerock Decorative Hardware Catalog, Jul. 2006, p. 94, published in USA.

\* cited by examiner

*FIG. 1*

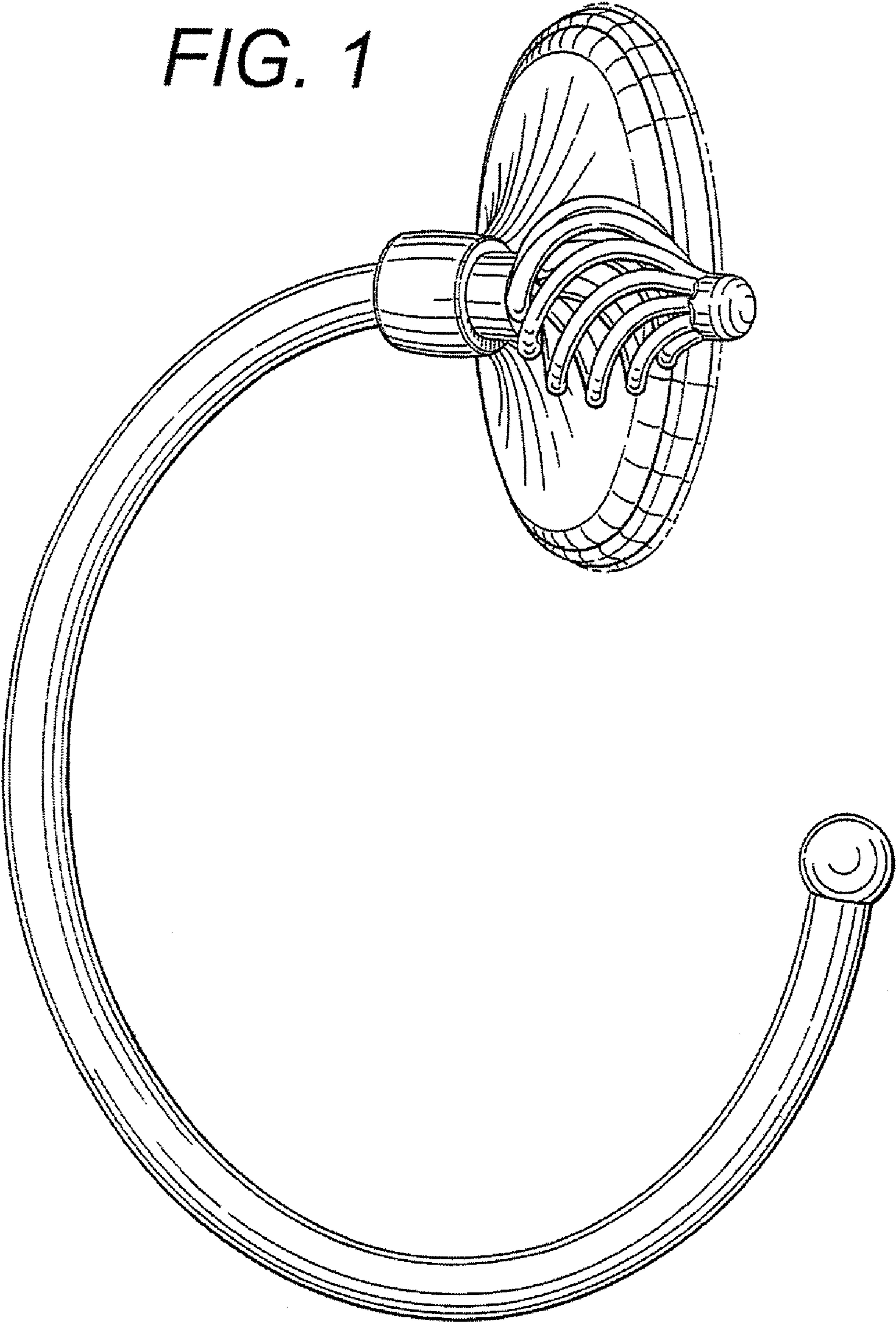
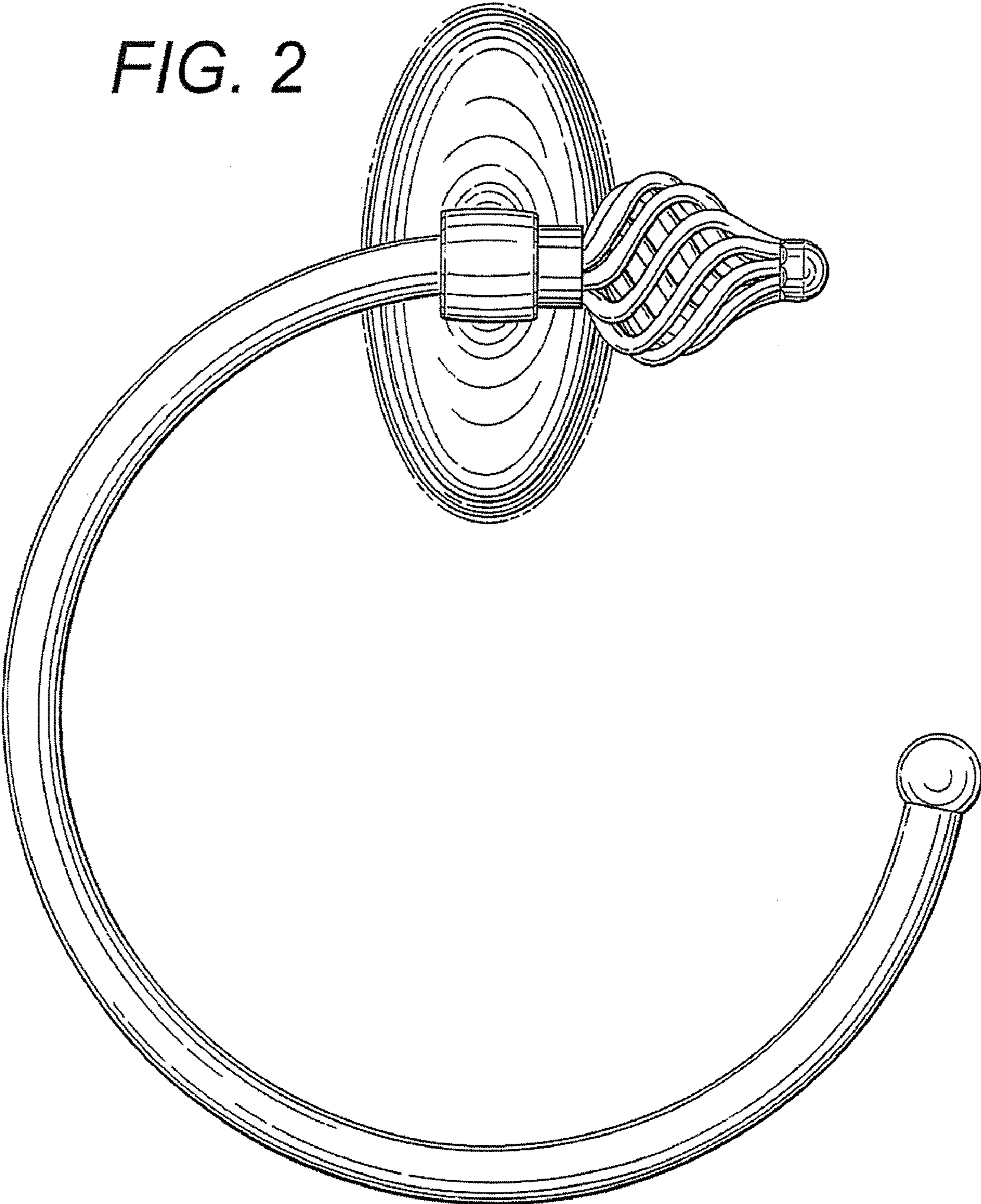
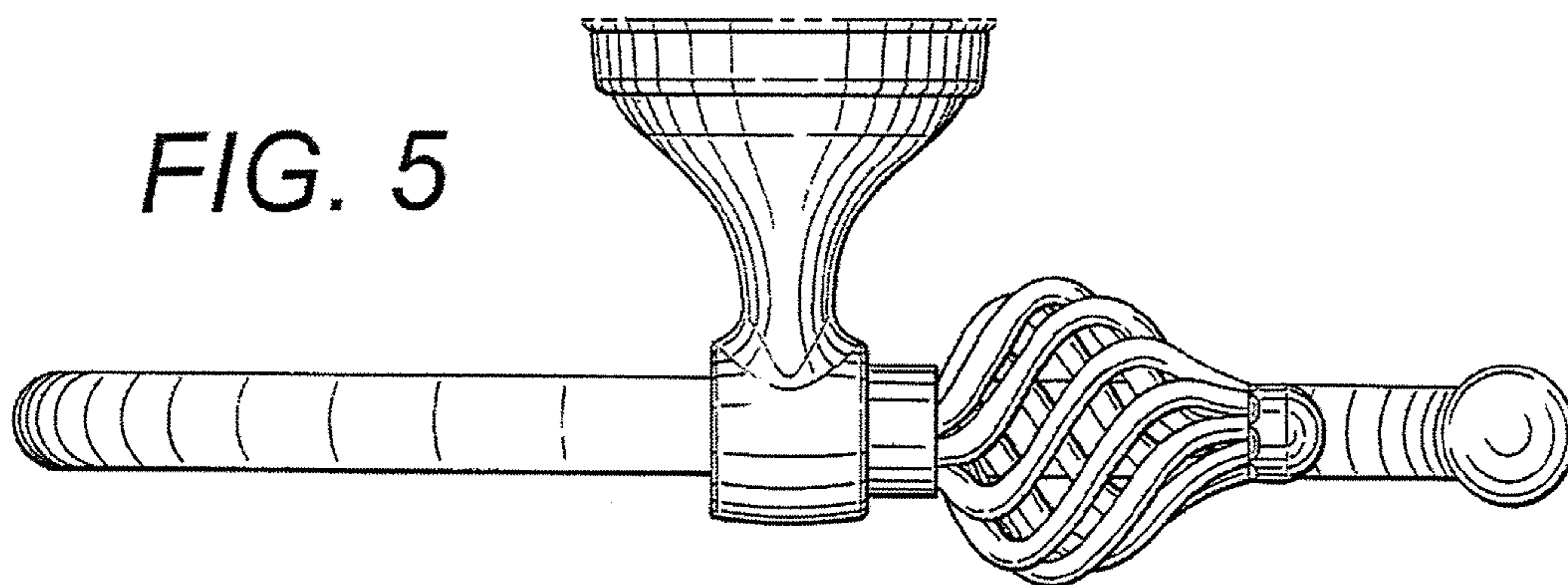
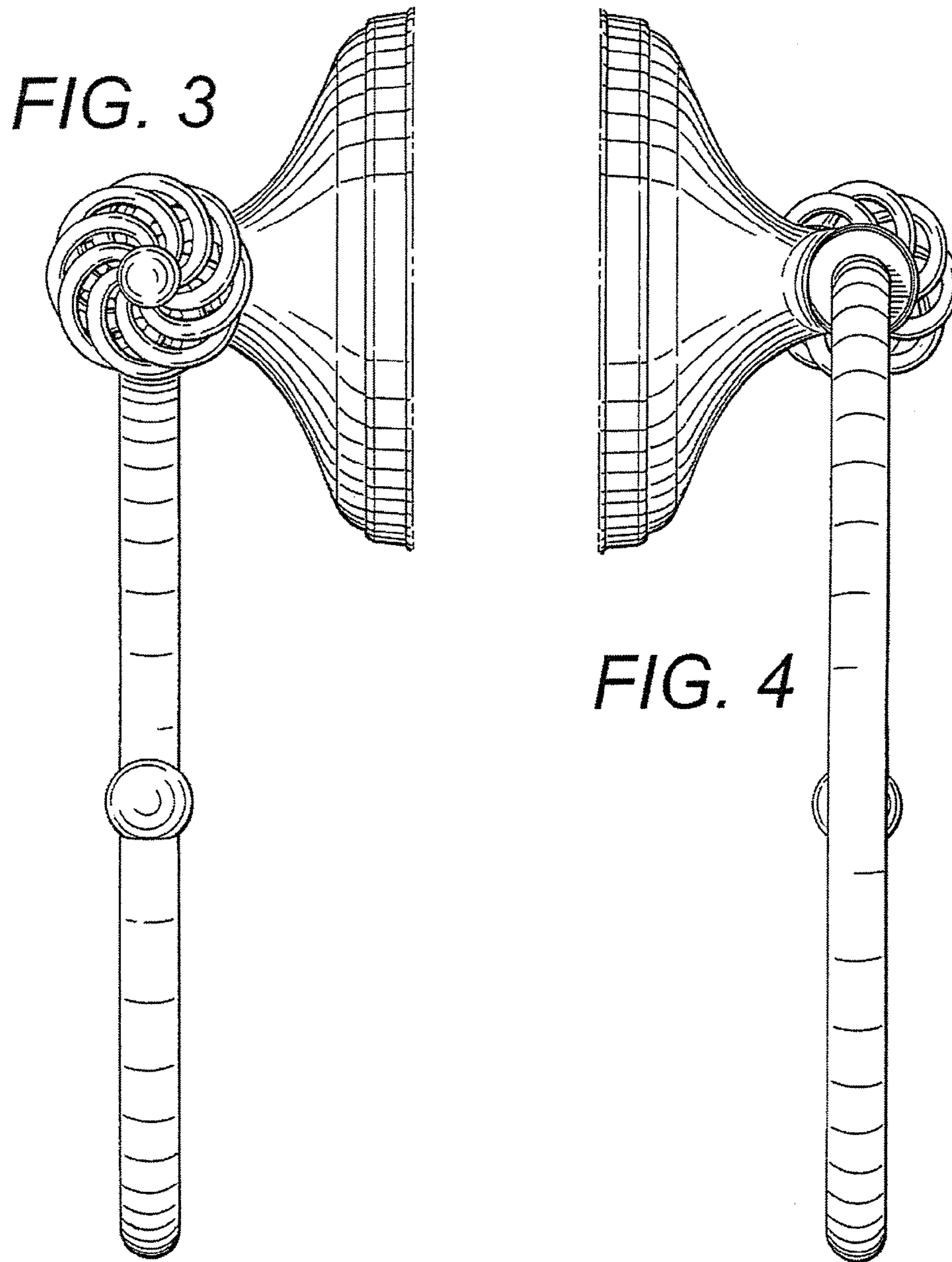




FIG. 2





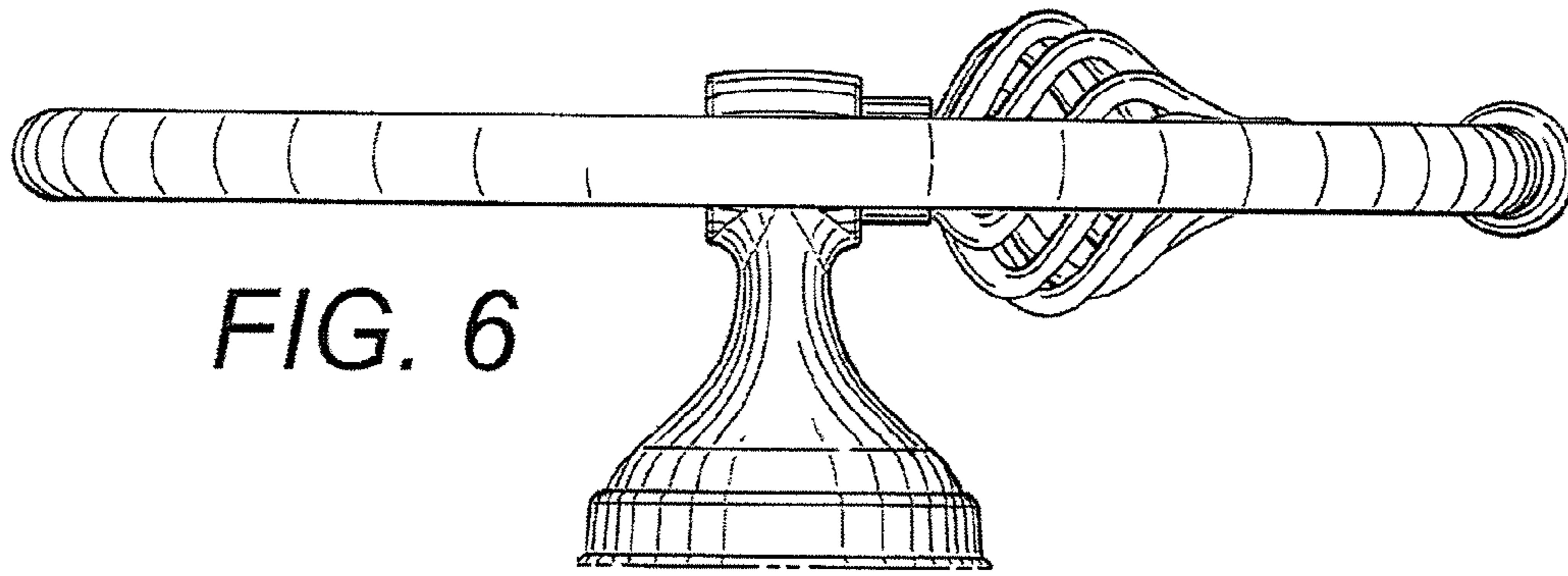


FIG. 6

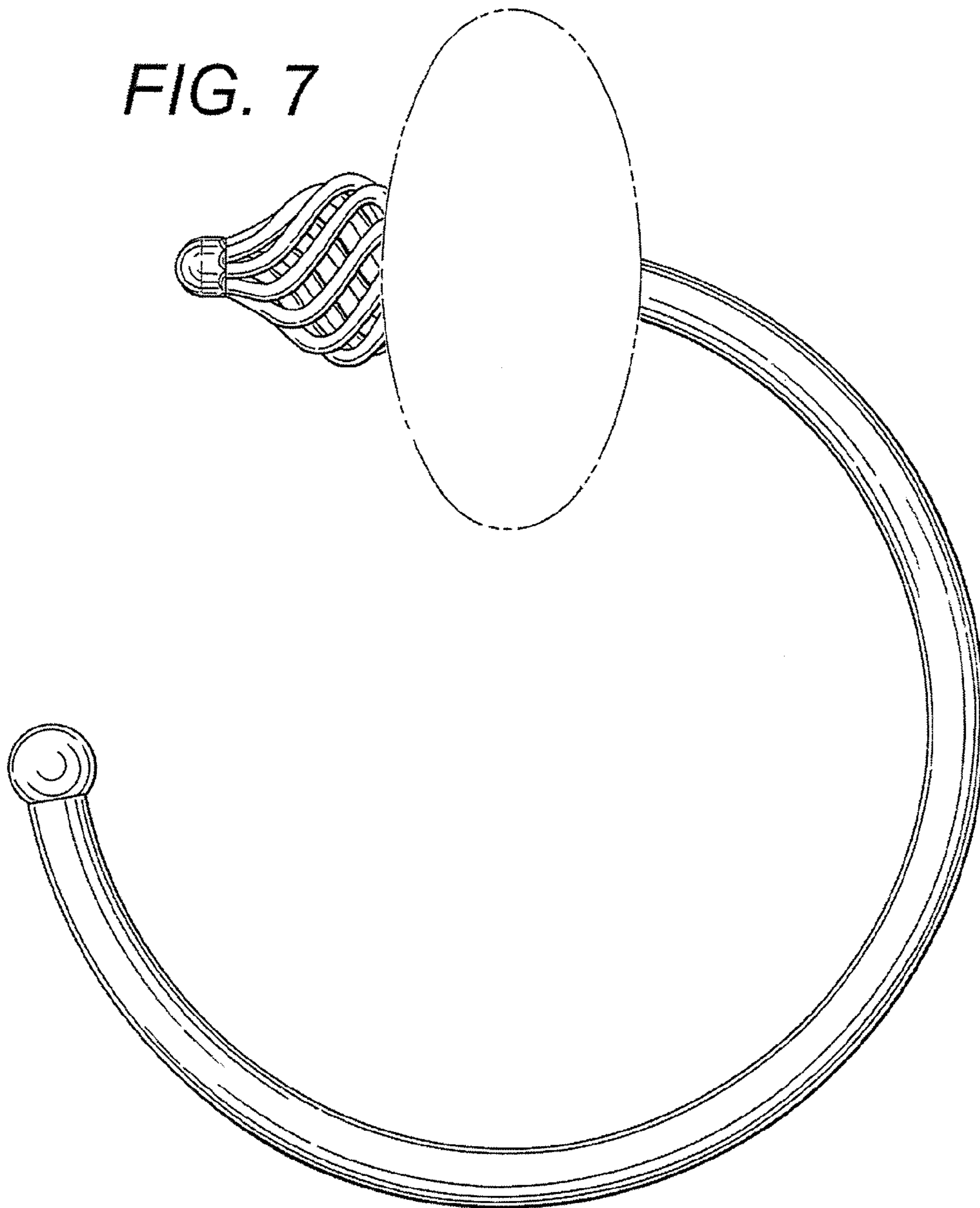


FIG. 7