

US00D571134S

(12) **United States Design Patent**
Collado

(10) **Patent No.:** **US D571,134 S**

(45) **Date of Patent:** **** Jun. 17, 2008**

(54) **DISPENSER**

(76) **Inventor:** **Elquiza Collado**, 103 Waverly St.,
Yonkers, NY (US) 10701

(**) **Term:** **14 Years**

(21) **Appl. No.:** **29/294,311**

(22) **Filed:** **Jan. 4, 2008**

(51) **LOC (8) Cl.** **20-02**

(52) **U.S. Cl.** **D6/518**

(58) **Field of Classification Search** D6/518-523;
206/389, 390, 395; 221/282-283; 312/34.8;
242/570, 560, 590, 597.7, 598

See application file for complete search history.

(56) **References Cited**

U.S. PATENT DOCUMENTS

4,721,264	A *	1/1988	Muscarello	206/390
D339,490	S *	9/1993	Addison et al.	D6/518
D357,377	S *	4/1995	Manu et al.	D6/518
D362,145	S *	9/1995	Nolen	D6/523
D447,899	S *	9/2001	Draughn, Sr.	D6/523
D452,788	S *	1/2002	Neiberger et al.	D6/518
6,405,972	B1 *	6/2002	Wakam	242/597.7
6,578,730	B2	6/2003	Trunsky		
D480,901	S *	10/2003	Millington	D6/518

6,899,250	B2	5/2005	FitzSimons et al.
2002/0162848	A1	11/2002	Na
2005/0061826	A1	3/2005	Long et al.
2005/0211715	A1	9/2005	Parris et al.
2007/0000935	A1	1/2007	Pavlik et al.
2007/0175914	A1	8/2007	Warke

* cited by examiner

Primary Examiner—Brian N Vinson

(74) *Attorney, Agent, or Firm*—Gottlieb, Rackman & Reisman

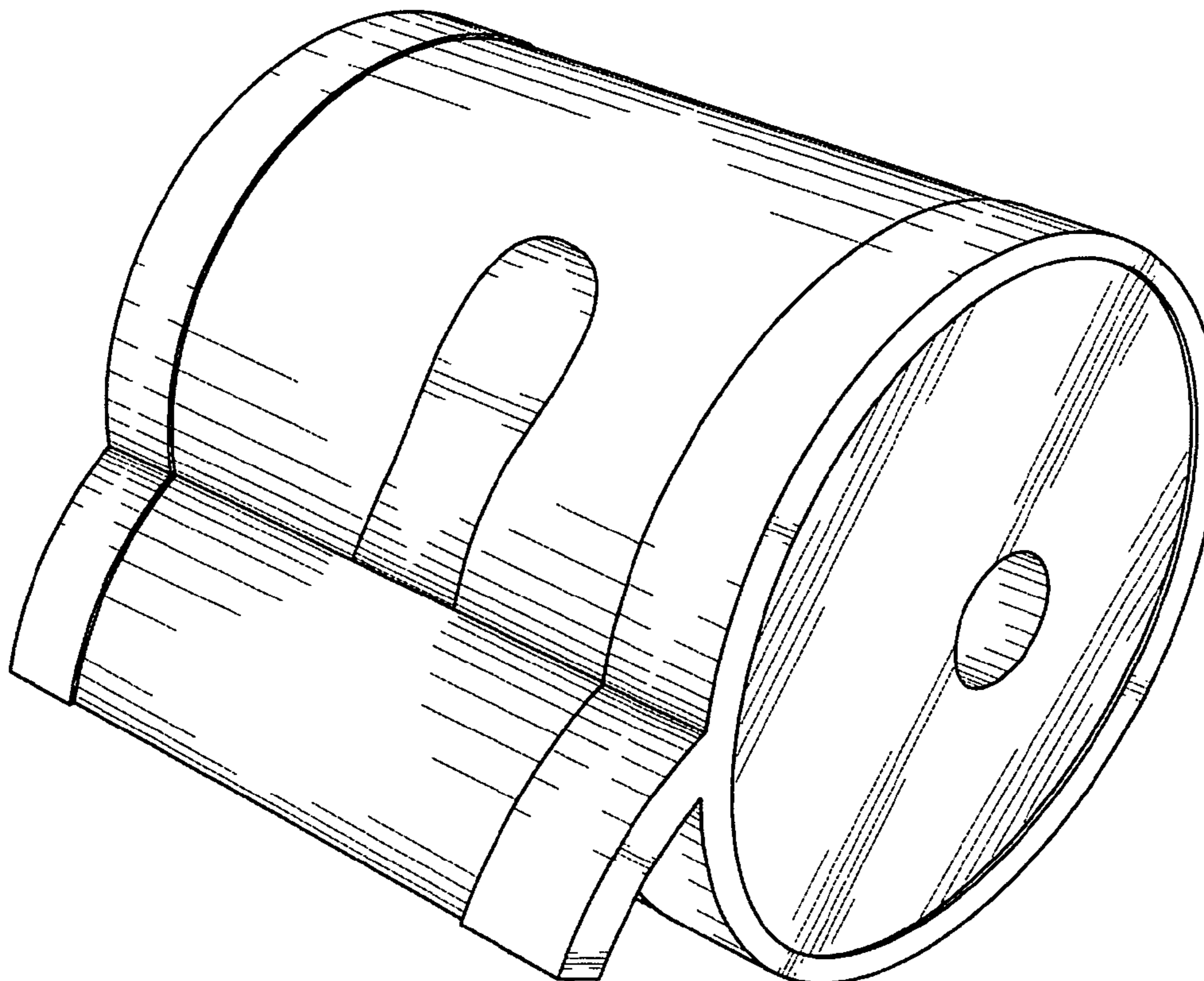
(57) **CLAIM**

The ornamental design for a dispenser, as shown and described.

DESCRIPTION

FIG. 1 is a perspective view showing my design;
 FIG. 2 is a left side elevational view thereof;
 FIG. 3 is a right side elevational view thereof;
 FIG. 4 is a front elevational view thereof;
 FIG. 5 is a rear elevational view thereof;
 FIG. 6 is a top plan view thereof; and,
 FIG. 7 is a bottom plan view thereof.

1 Claim, 4 Drawing Sheets



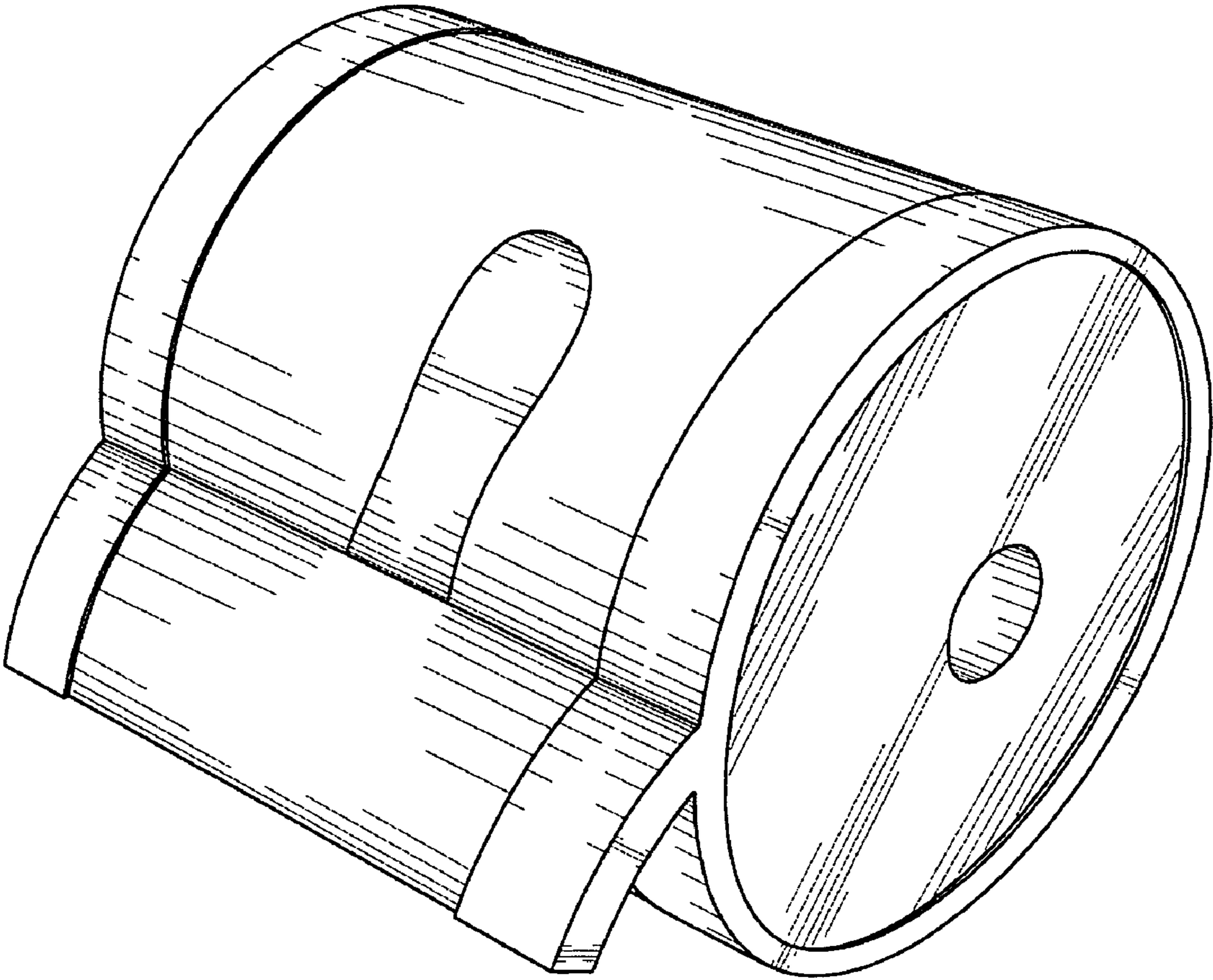


FIG. 1

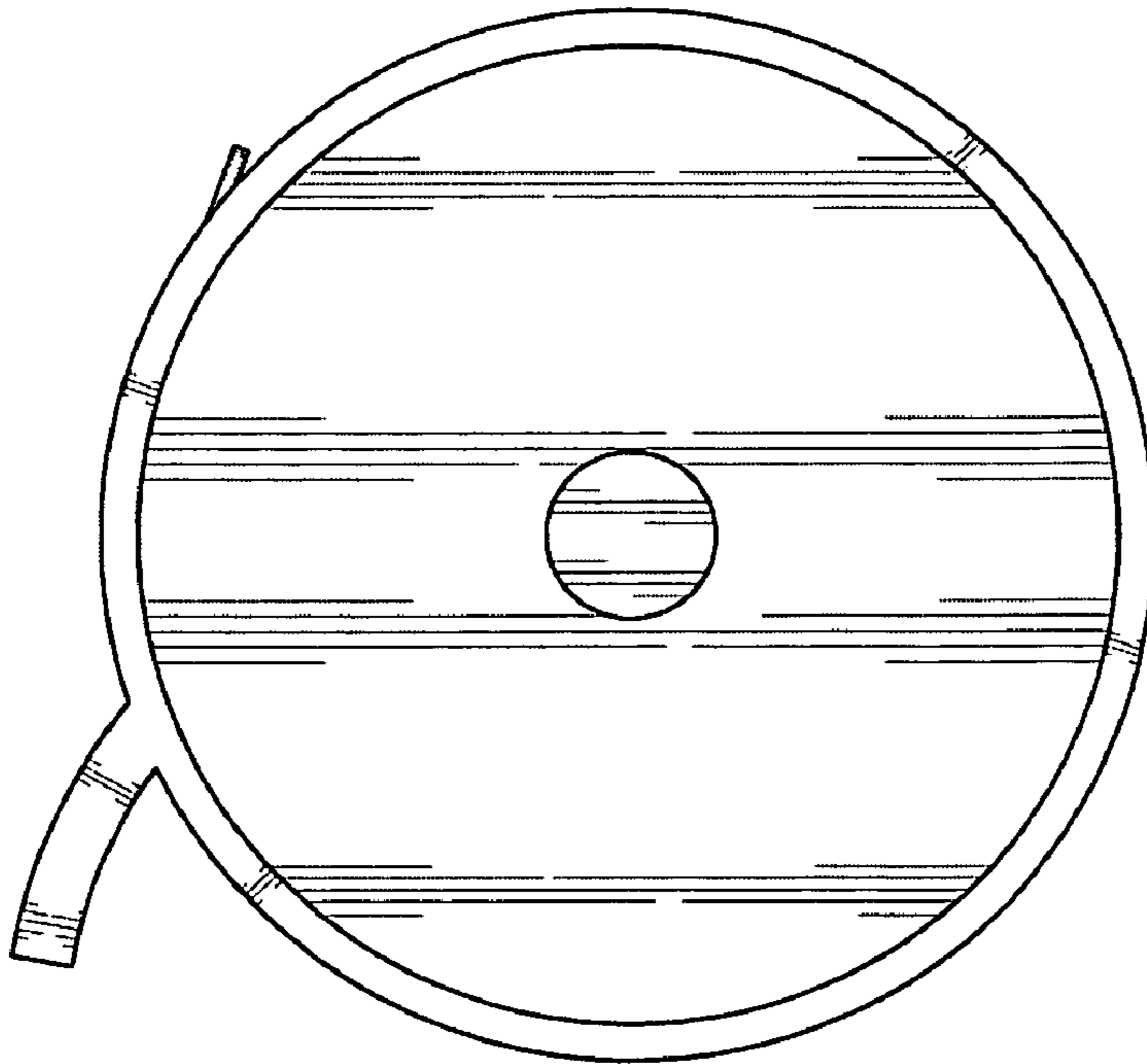


FIG. 2

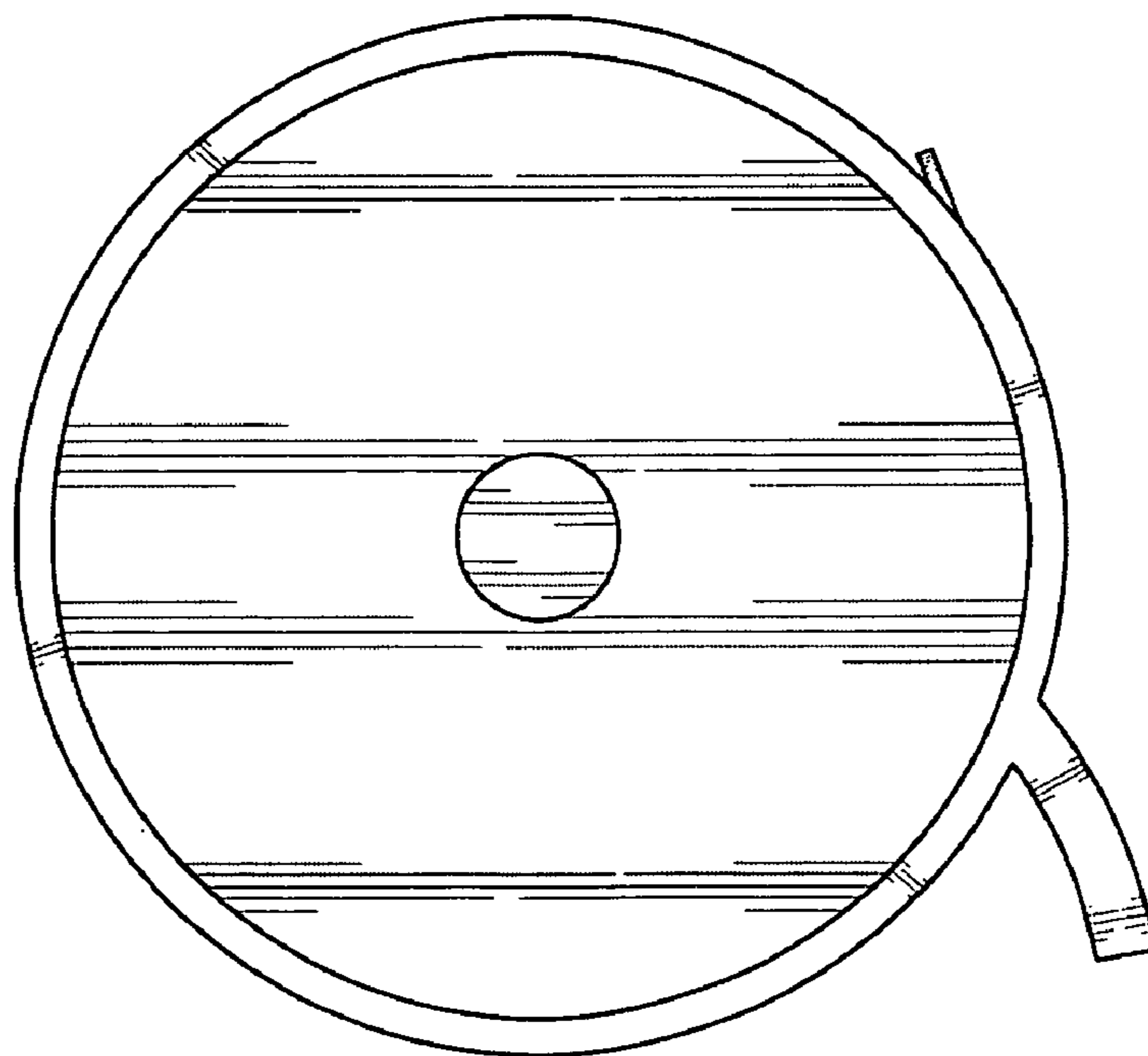


FIG. 3

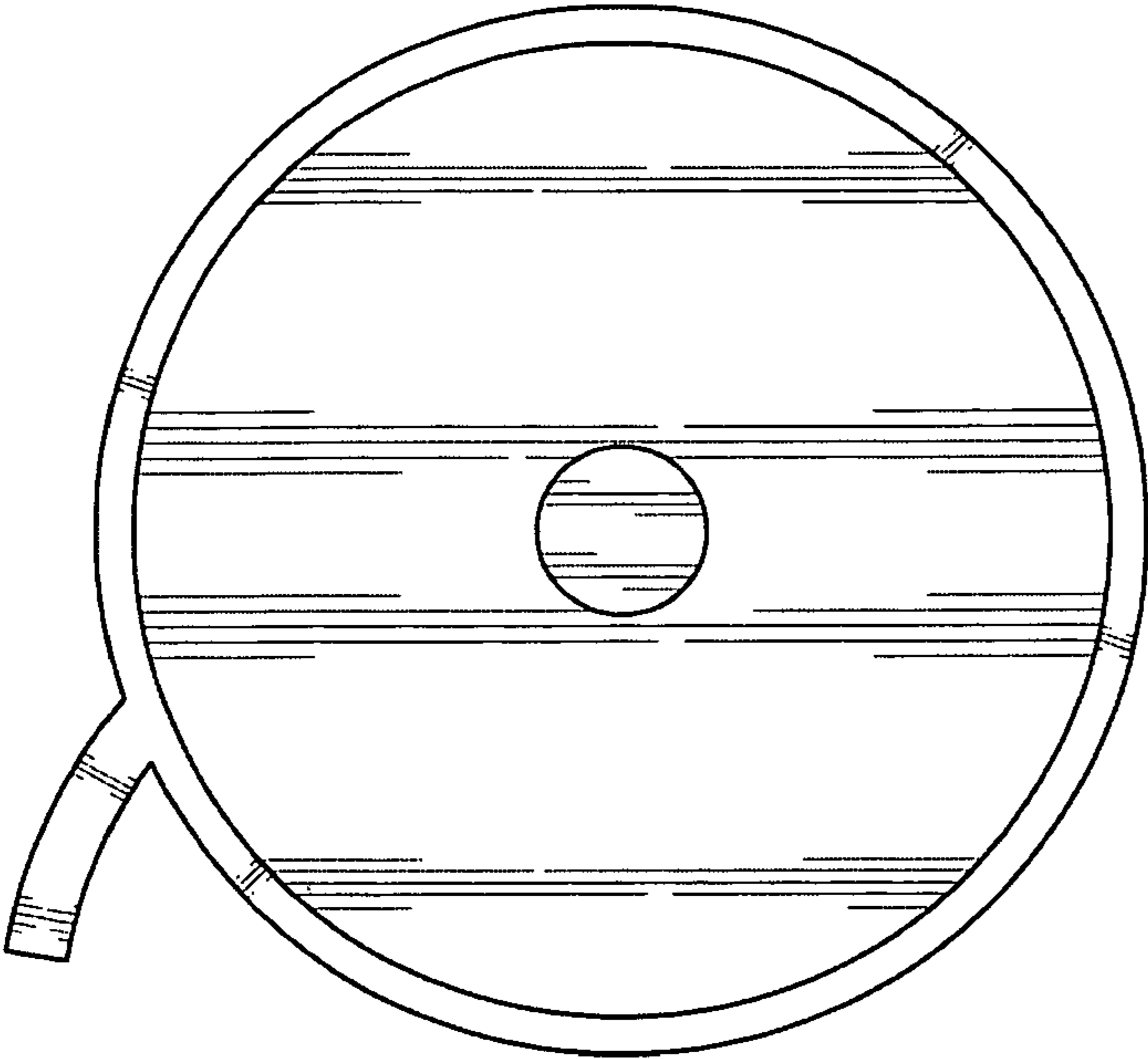


FIG. 4

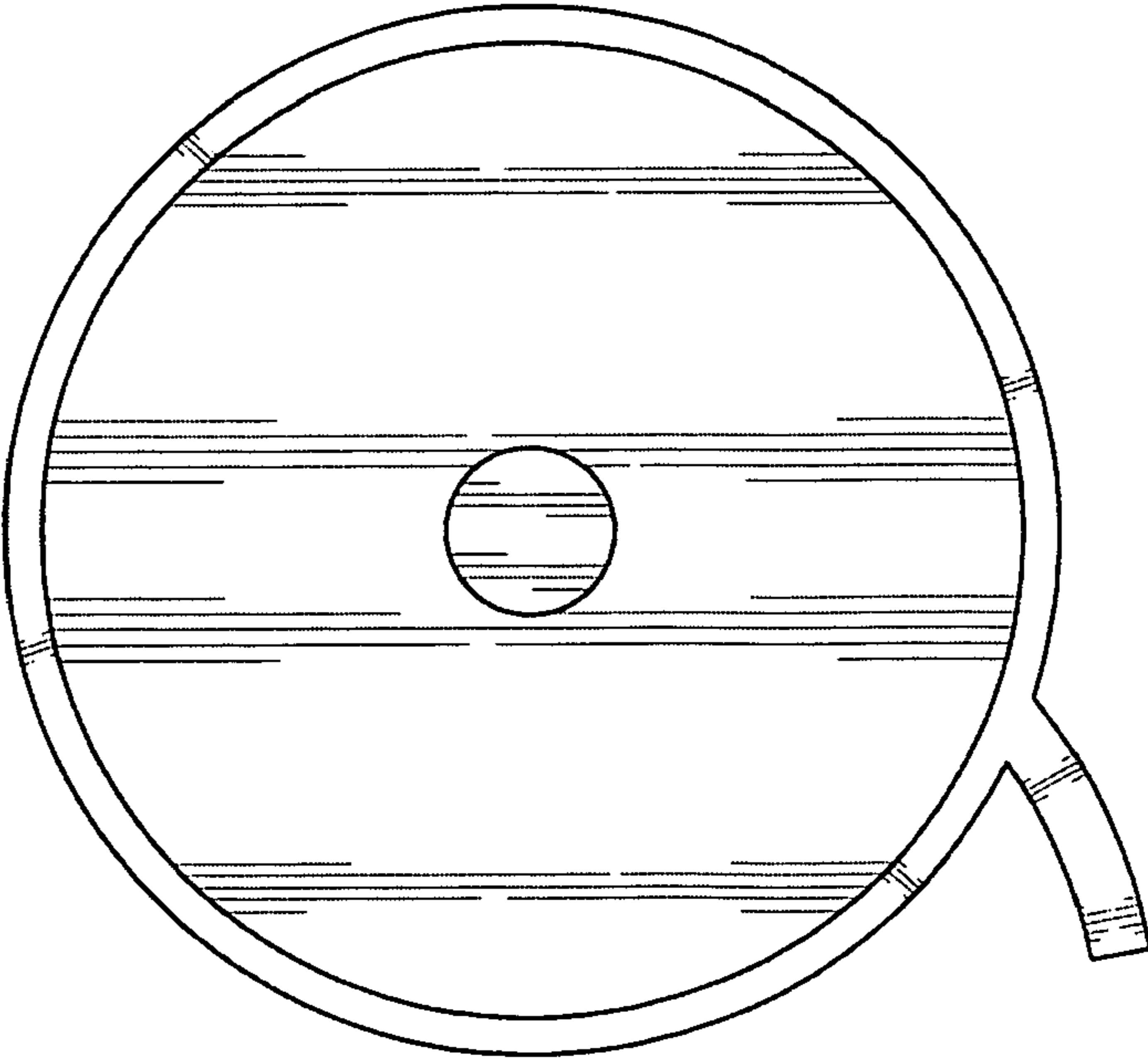


FIG. 5

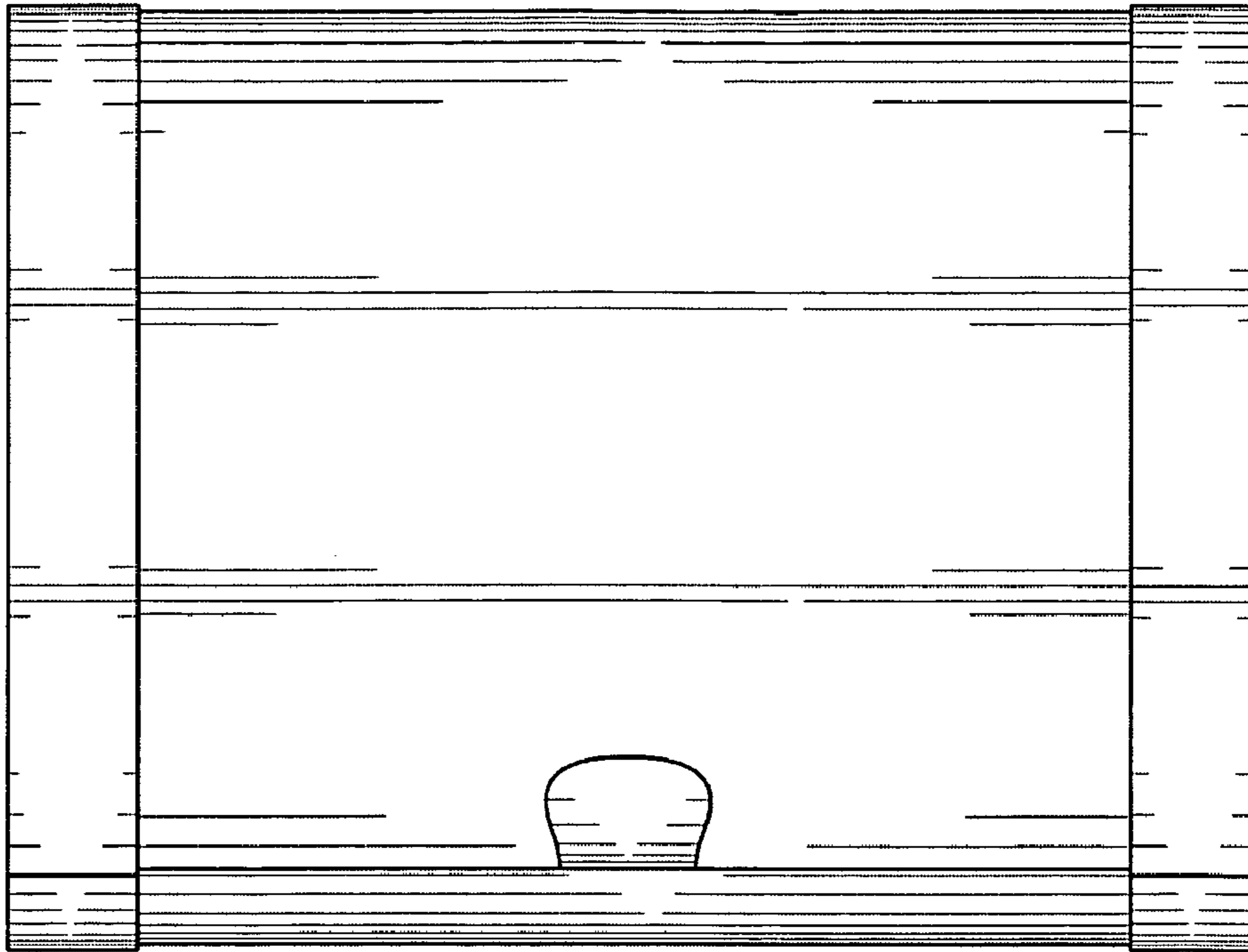


FIG. 6

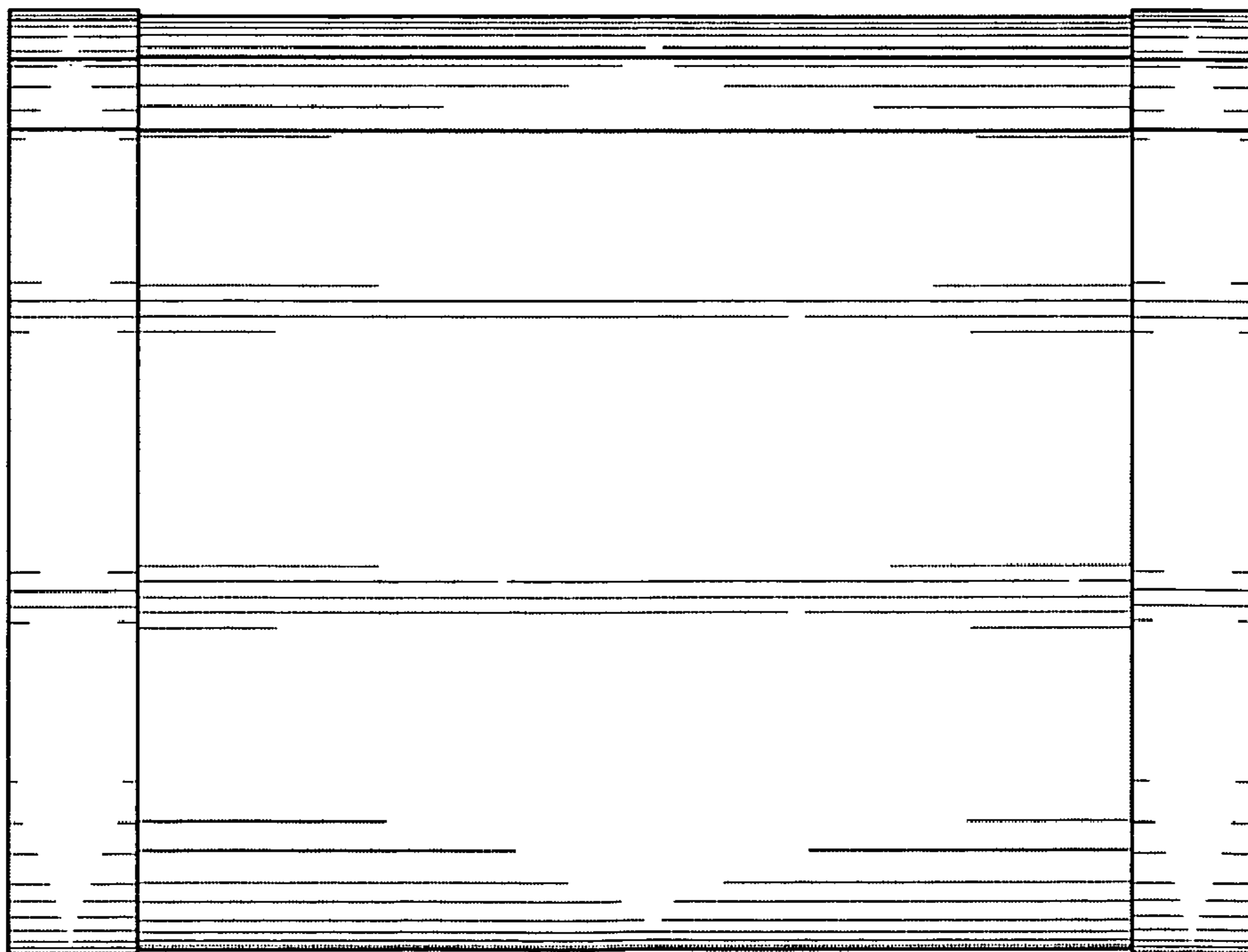


FIG. 7