

US00D571133S

(12) **United States Design Patent**
Liss et al.

(10) **Patent No.:** **US D571,133 S**
(45) **Date of Patent:** **** Jun. 17, 2008**

(54) **PORTION OF AN EMBOSSED SHELF EDGE
IN SHELF UNIT**

D557,113 S * 12/2007 Anders, III D8/354

* cited by examiner

(75) Inventors: **Mitchell Liss**, Northbrook, IL (US);
Tony Troyner, Shorewood, IL (US);
Thomas St. Germain, Bridgeview, IL
(US); **David Wojtowicz**, Orland Park,
IL (US)

Primary Examiner—Elizabeth A. Albert
Assistant Examiner—Kelley A Donnelly
(74) *Attorney, Agent, or Firm*—Wood, Herron & Evans,
LLP

(73) Assignee: **Edsal Manufacturing Co., Inc.**

(57) **CLAIM**

(**) Term: **14 Years**

The ornamental design for a portion of an embossed shelf edge in shelf unit, as shown and described.

(21) Appl. No.: **29/296,558**

DESCRIPTION

(22) Filed: **Oct. 23, 2007**

(51) **LOC (8) Cl.** **06-04**

(52) **U.S. Cl.** **D6/511**

(58) **Field of Classification Search** D9/511;
D8/380–382, 349, 354; D25/113–125; 403/402;
248/281.1; 211/88, 90, 126, 153, 134–135
See application file for complete search history.

FIG. 1 is an isometric view of the design in a shelving unit with the unit shown in broken lines for environment,
FIG. 2 is an enlarged perspective view of a portion of an embossed shelf edge in shelf unit of FIG. 1;
FIG. 3 is a front view of the design of FIG. 1;
FIG. 4 is a right side view of the design of FIG. 1;
FIG. 5 is a rear view of the design of FIG. 1;
FIG. 6 is a left side view of the design of FIG. 1;
FIG. 7 is a top view of the design of FIG. 1; and,
FIG. 8 is a bottom view of the design of FIG. 1.

(56) **References Cited**

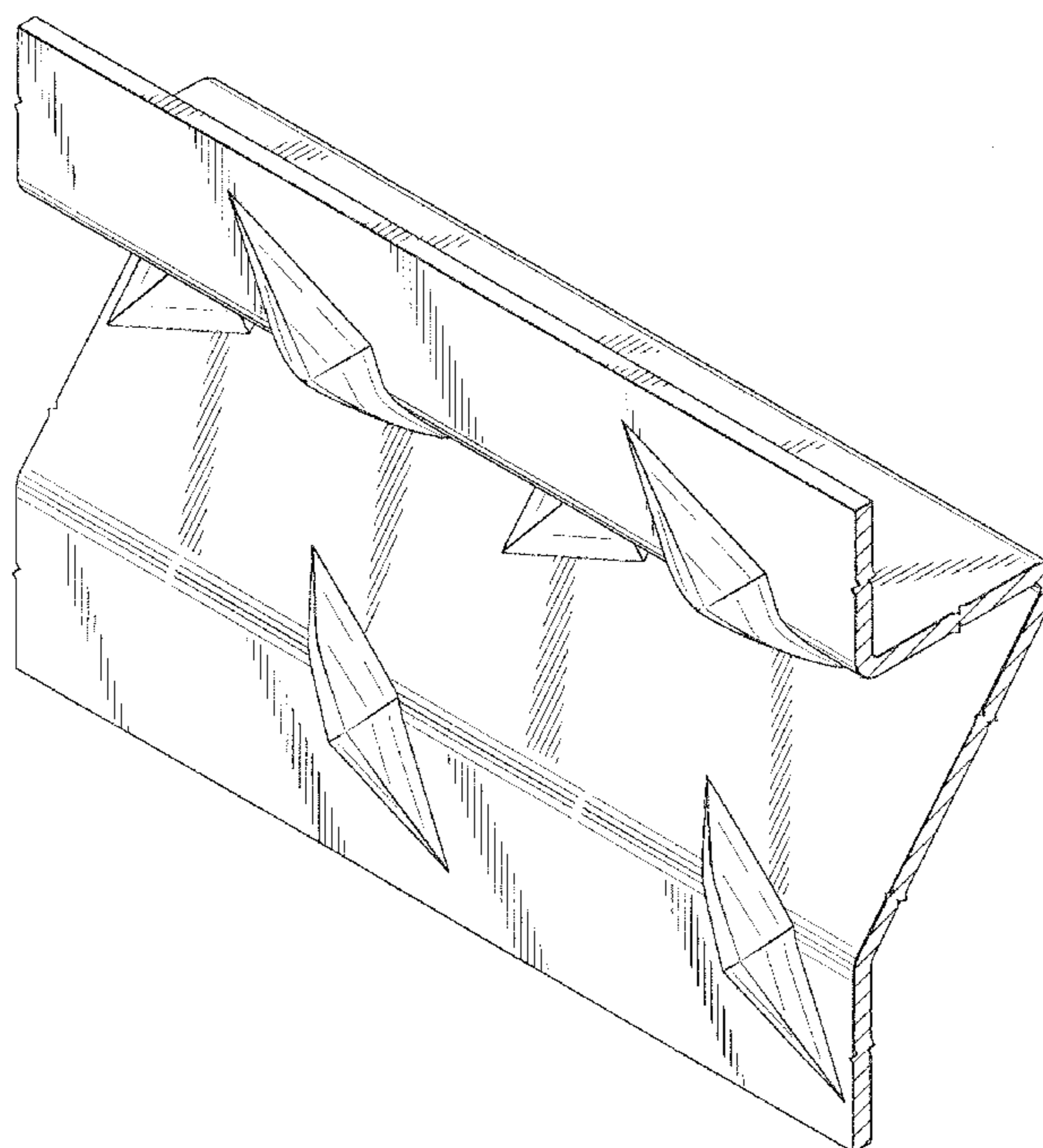
U.S. PATENT DOCUMENTS

2,843,953	A	*	7/1958	McCanless	40/591
D311,627	S	*	10/1990	Cadestin	D1/126
D398,835	S	*	9/1998	Coll et al.	D8/354
D507,959	S	*	8/2005	Mottini	D8/354
D528,337	S	*	9/2006	Schmidt et al.	D6/561
D536,105	S	*	1/2007	Cochrane	D25/121
D547,636	S	*	7/2007	Bartrom	D8/351
D550,012	S	*	9/2007	Schmidt et al.	D6/561
D551,781	S	*	9/2007	Abdullah	D25/123
D551,883	S	*	10/2007	Gaska et al.	D6/510
D556,976	S	*	12/2007	Liautaud et al.	D17/21

The break lines on the edges of the FIGS. 1, 2, 3, 5, and 7 are not part of the claimed design and represent that no particular length is claimed.

Diagonal lines on edges of pieces in FIGS. 2, 4, 6, and the break lines on the edges of the pieces in FIGS. 2, 3, 5, 7, and 8 are used to indicate cut-away portions and are not shading or design features.

1 Claim, 5 Drawing Sheets



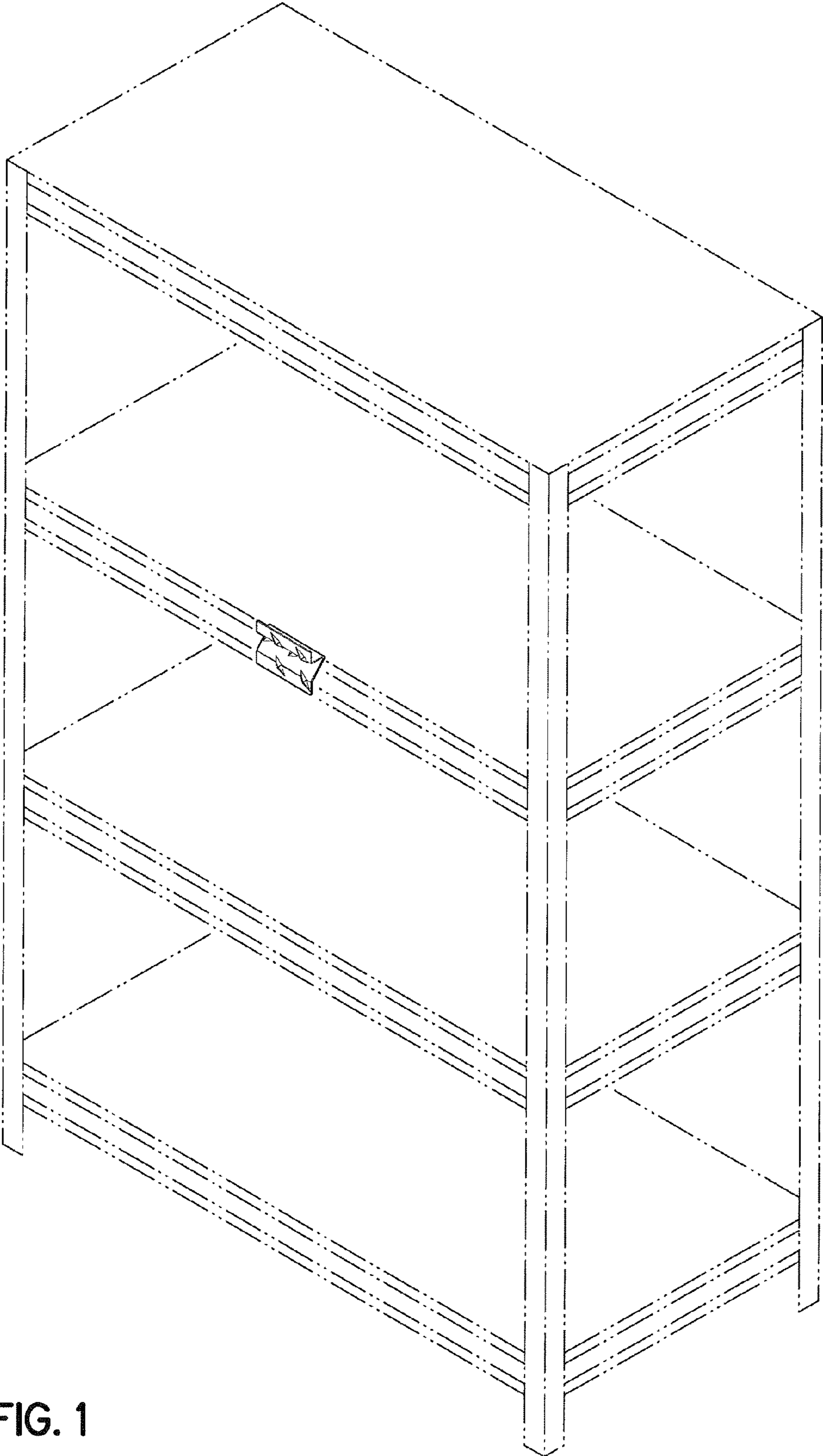


FIG. 1

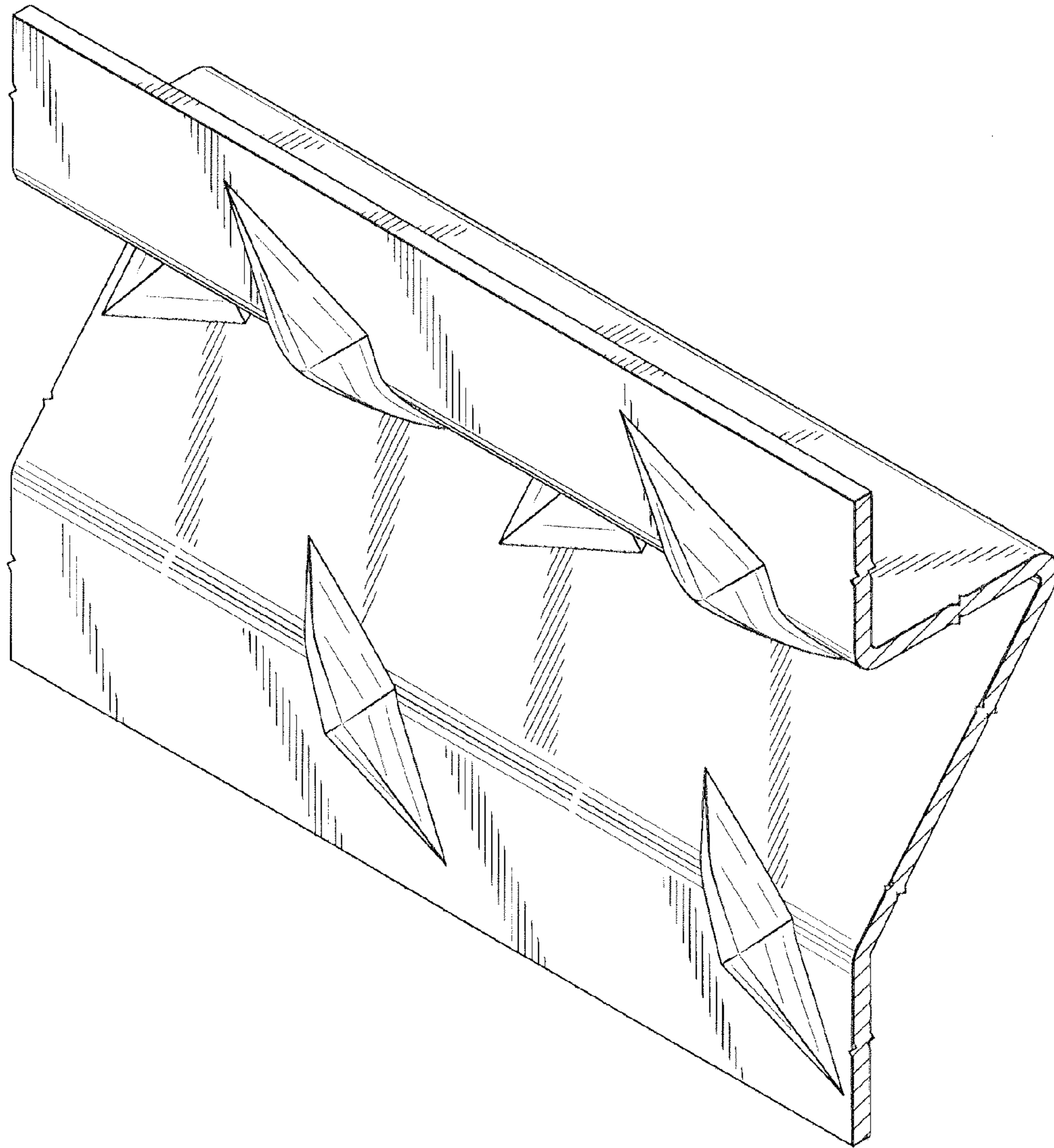


FIG. 2

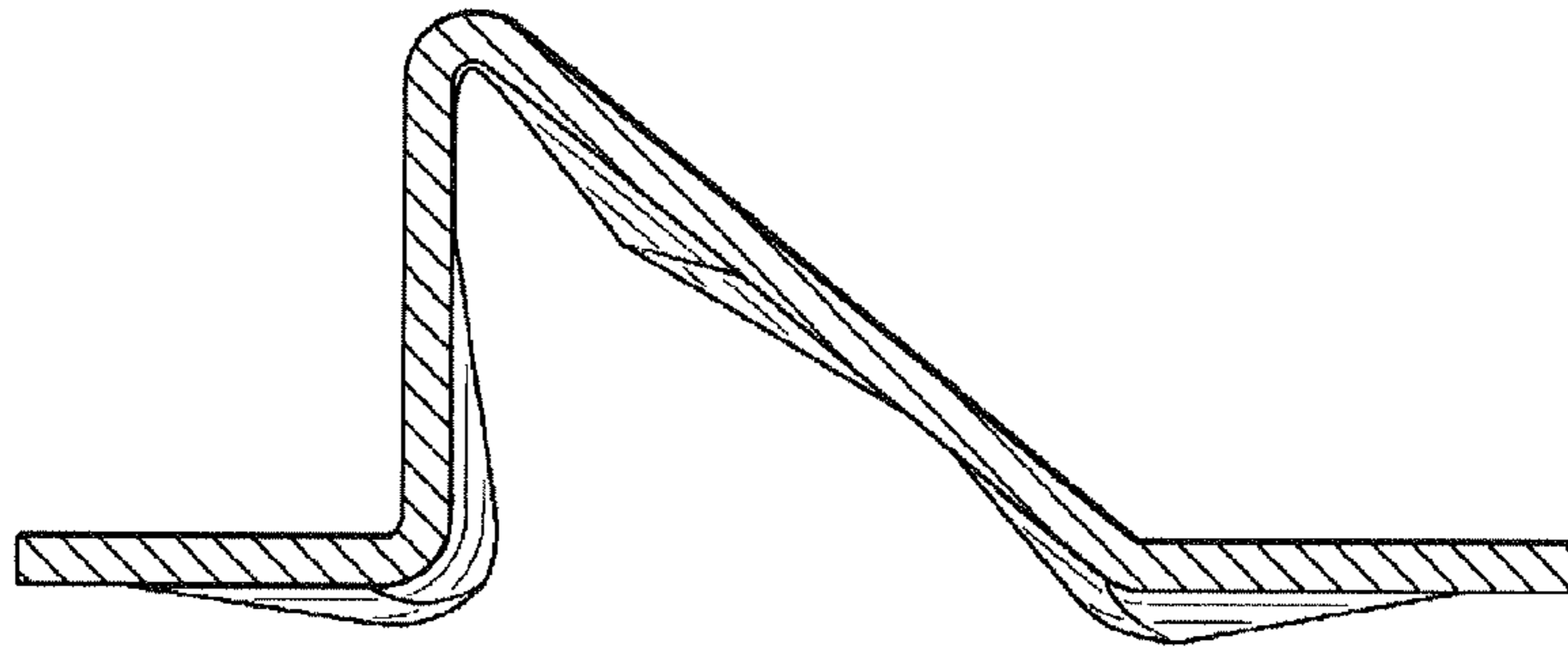


FIG. 4

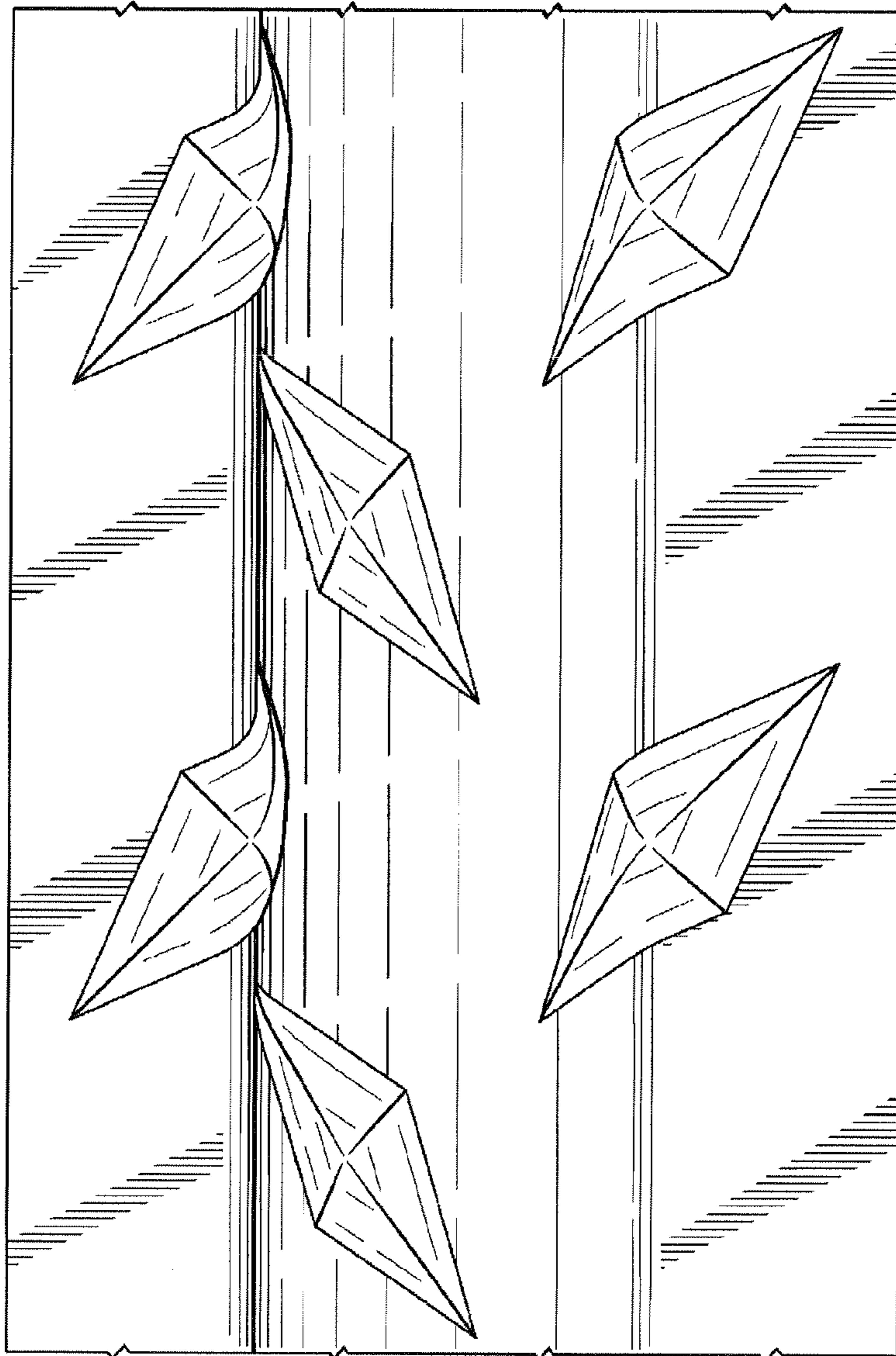


FIG. 3

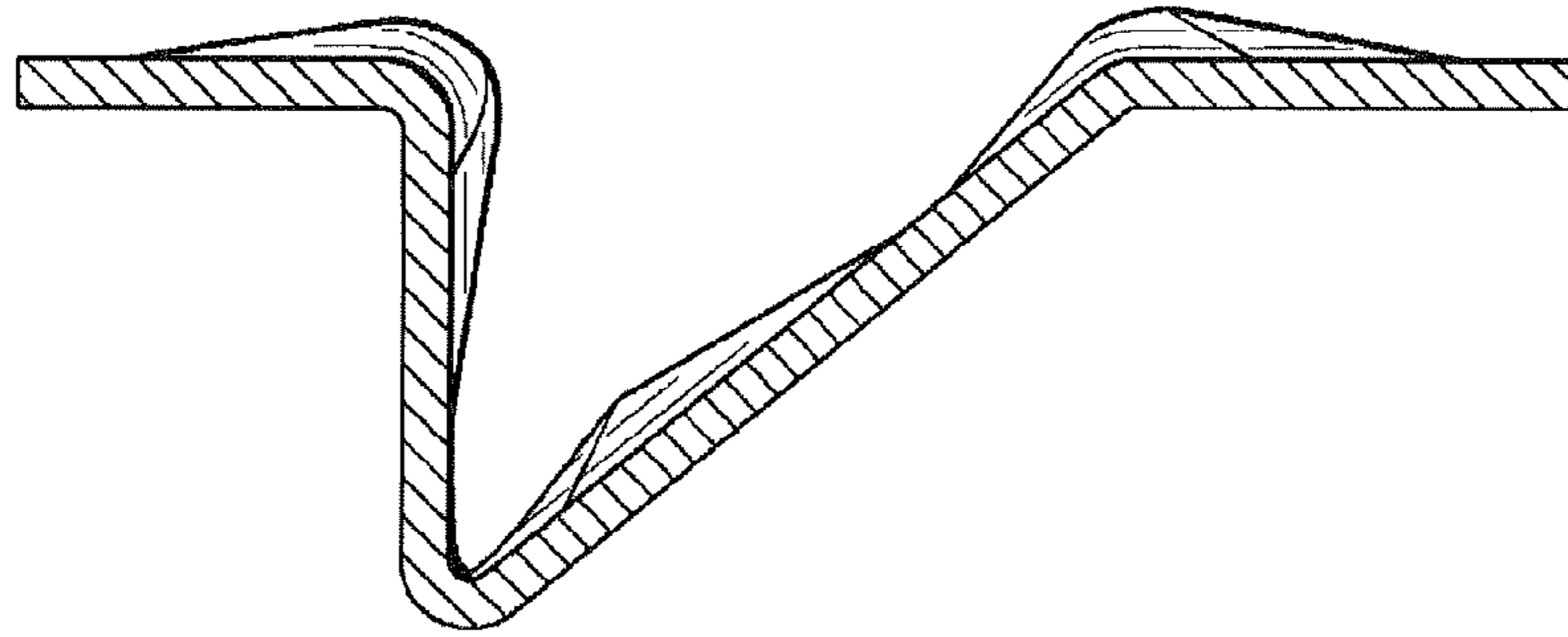


FIG. 6

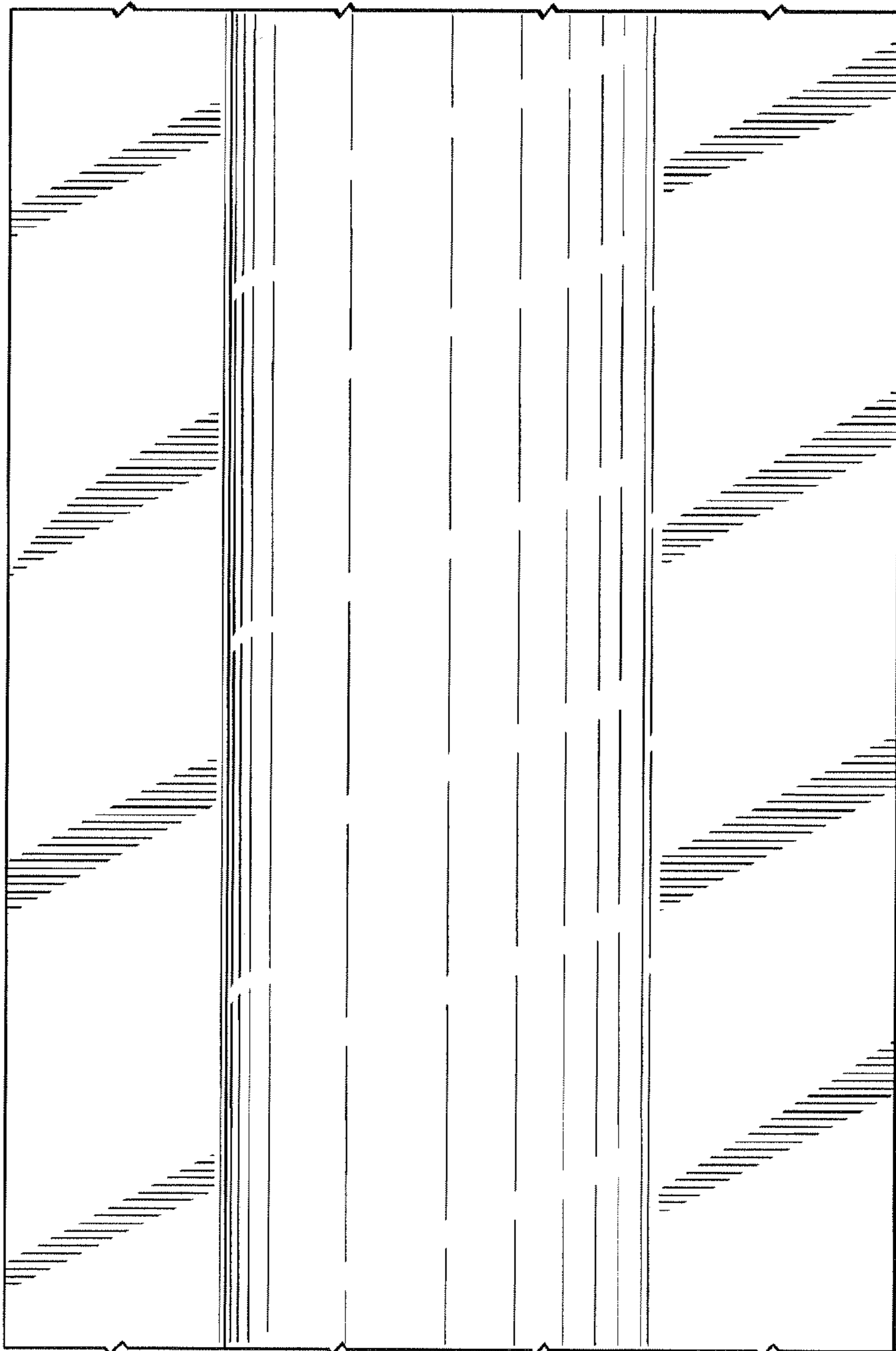


FIG. 5

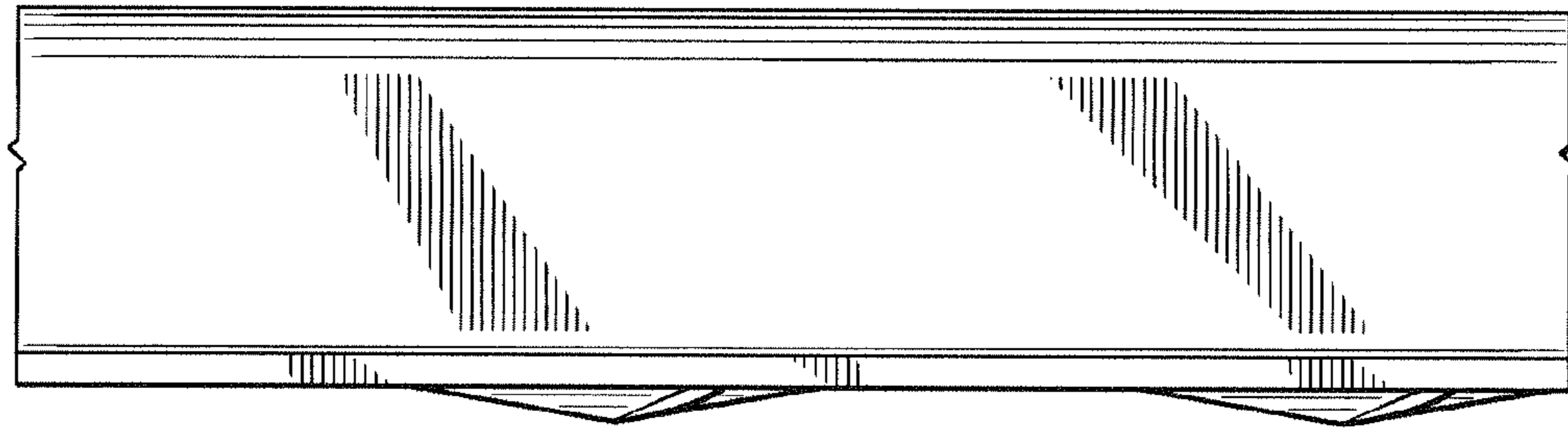


FIG. 7

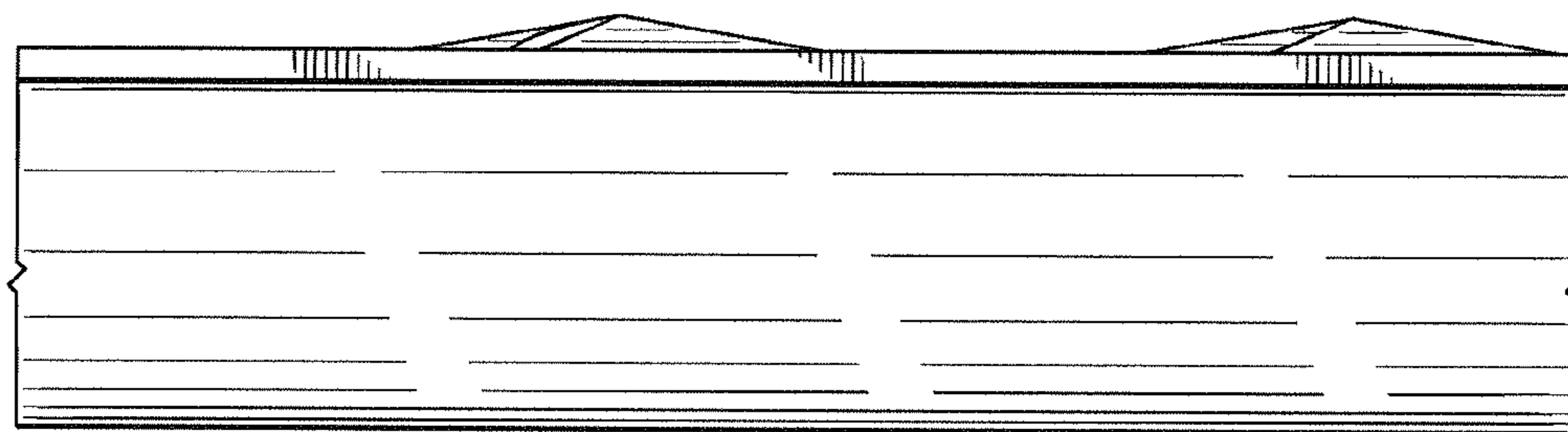


FIG. 8