



US00D571130S

(12) **United States Design Patent** (10) **Patent No.:** **US D571,130 S**
Clark et al. (45) **Date of Patent:** **** Jun. 17, 2008**

(54) **PRODUCT DISPLAY**

(75) Inventors: **Jeremy A. Clark**, Minneapolis, MN (US); **Michael A. Whittier**, Minneapolis, MN (US); **Joseph R. Stukenberg**, Minneapolis, MN (US)

(73) Assignee: **Target Brands, Inc.**, Minneapolis, MN (US)

(**) Term: **14 Years**

(21) Appl. No.: **29/278,881**

(22) Filed: **Apr. 12, 2007**

Related U.S. Application Data

(62) Division of application No. 29/252,756, filed on Jan. 26, 2006, now Pat. No. Des. 554,919.

(51) **LOC (8) Cl.** **06-04**

(52) **U.S. Cl.** **D6/509**

(58) **Field of Classification Search** D6/509, D6/369, 467, 468, 553, 567, 449, 463, 475, D6/476; 211/162, 194, 189, 206, 87.01, 211/195, 13.1, 41.14, 49.14, 49.1, 85.26, 211/187, 90.01, 103, 193, 105.1, 204; 118/500; 312/108, 258, 264, 107; 280/79.3, 47.35
See application file for complete search history.

(56) **References Cited**

U.S. PATENT DOCUMENTS

2,710,241 A 6/1955 Lieberman
2,893,568 A * 7/1959 Scholz 211/204

3,411,634 A 11/1968 Pesce
3,601,256 A 8/1971 Bowers, Jr. et al.
3,737,048 A 6/1973 Giroux
3,830,374 A 8/1974 Kassimir
3,856,320 A 12/1974 Blanchard
3,865,250 A 2/1975 Jay
4,046,083 A 9/1977 Murdoch et al.
4,127,196 A 11/1978 Boucher
4,191,298 A 3/1980 Broudy
4,331,245 A 5/1982 Schell

(Continued)

Primary Examiner—Caron D. Veynar
Assistant Examiner—Sydney R Buffalow
(74) *Attorney, Agent, or Firm*—Faegre & Benson LLP

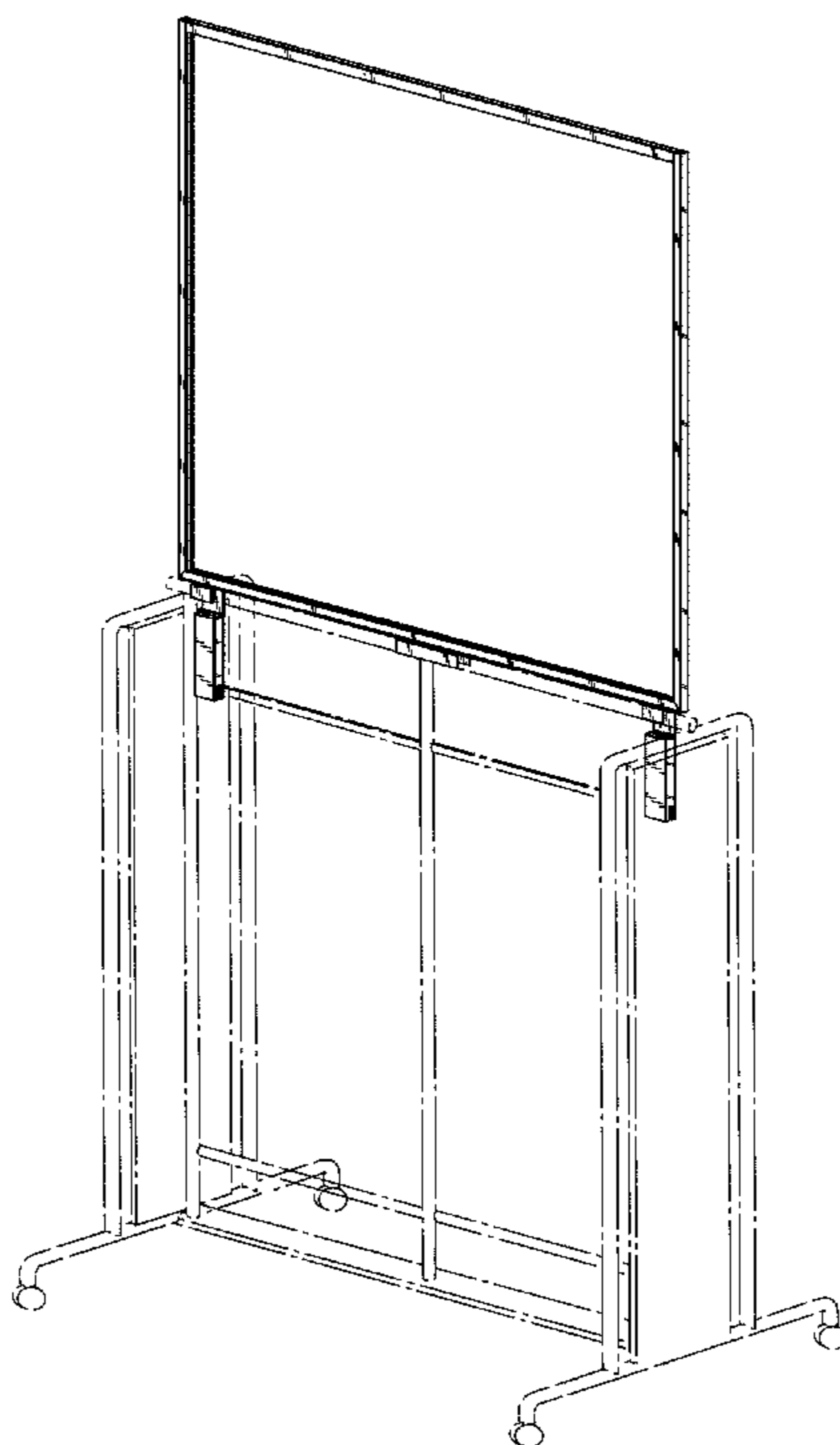
(57) **CLAIM**

The ornamental design for a product display, as shown and described.

DESCRIPTION

FIG. 1 is a perspective view of a product display.
FIG. 2 is a front view thereof.
FIG. 3 is a back view thereof.
FIG. 4 is a right end view thereof. A left end view thereof is an identical, mirror image of FIG. 4, and is omitted.
FIG. 5 is a top view thereof; and,
FIG. 6 is a bottom view thereof.
In the drawings, the broken lines represent environmental structure forming no part of the claim.

1 Claim, 5 Drawing Sheets



US D571,130 S

Page 2

U.S. PATENT DOCUMENTS

4,380,298 A	4/1983	Harig	5,921,190 A	7/1999	Wood
4,444,322 A	4/1984	Lee	D417,978 S	12/1999	Reed
4,460,097 A	7/1984	Darnell, II et al.	6,029,833 A	2/2000	Yeh
4,716,841 A	1/1988	Suttles	6,053,115 A	4/2000	Felton
4,925,038 A	5/1990	Gajewski	D427,457 S	7/2000	Heiny et al.
D318,194 S	7/1991	Terrell et al.	6,427,855 B2	8/2002	LaBruna et al.
D319,934 S	9/1991	Terrell et al.	D466,331 S	12/2002	Chang
5,272,991 A	12/1993	Carrigan, Jr.	D474,350 S	5/2003	Sardis
5,433,046 A	7/1995	MacQuarrie et al.	6,561,365 B2	5/2003	Bustos
5,535,898 A	7/1996	Burgess et al.	6,561,366 B2	5/2003	Kim-So
5,607,070 A	3/1997	Hellyer	6,669,037 B1	12/2003	Ahn
5,611,442 A	3/1997	Howard	D495,523 S	9/2004	Harwanko
5,653,349 A	8/1997	Dana et al.	6,935,523 B2	8/2005	Ahn
5,660,637 A	8/1997	Dodge	6,959,824 B1	11/2005	Alperson
D394,360 S	5/1998	Geier et al.	D533,738 S *	12/2006	Berg et al. D6/492
D409,858 S	5/1999	Reed	D554,919 S *	11/2007	Clark et al. D6/509
5,918,750 A	7/1999	Jackson			

* cited by examiner

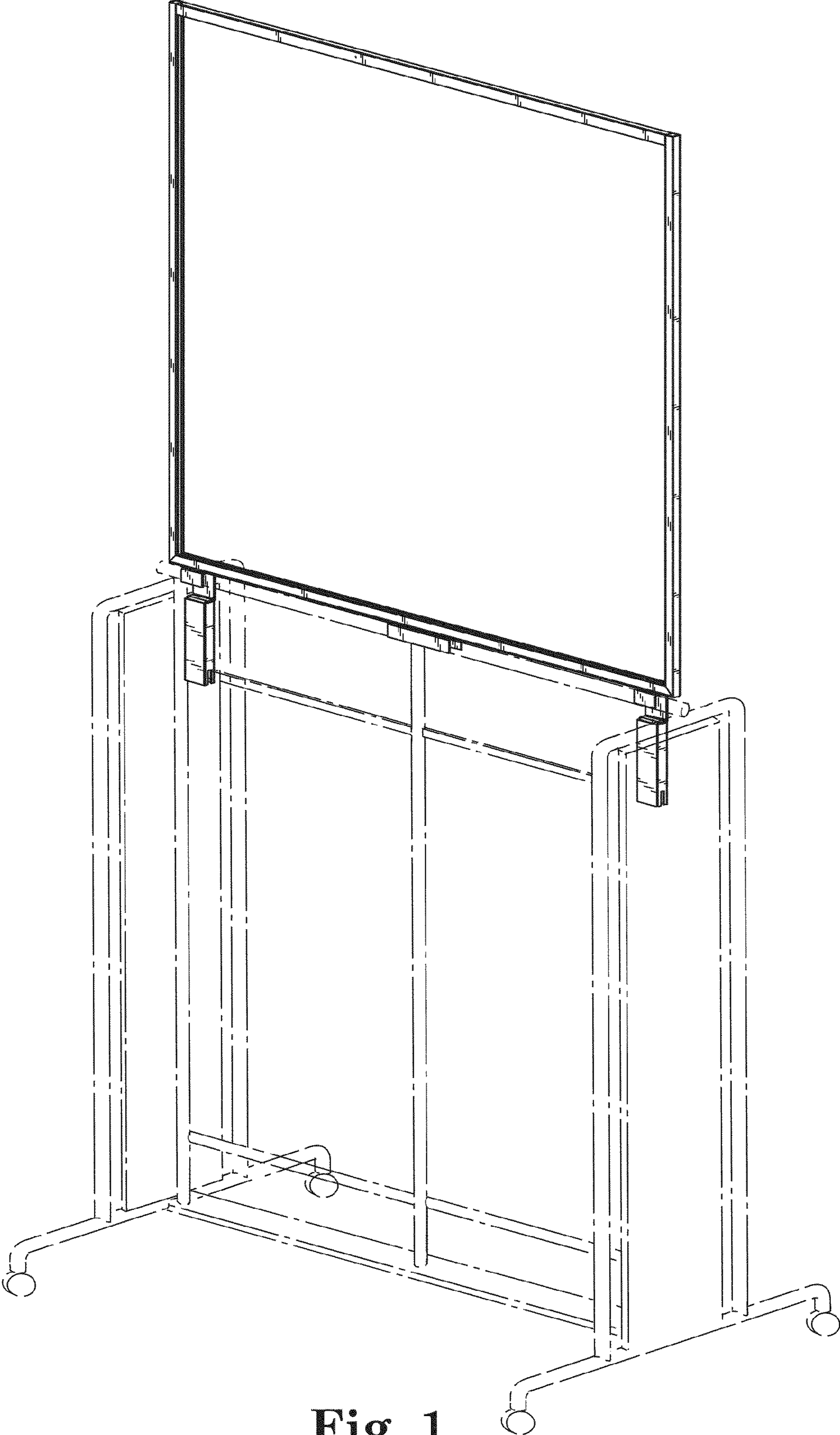


Fig. 1

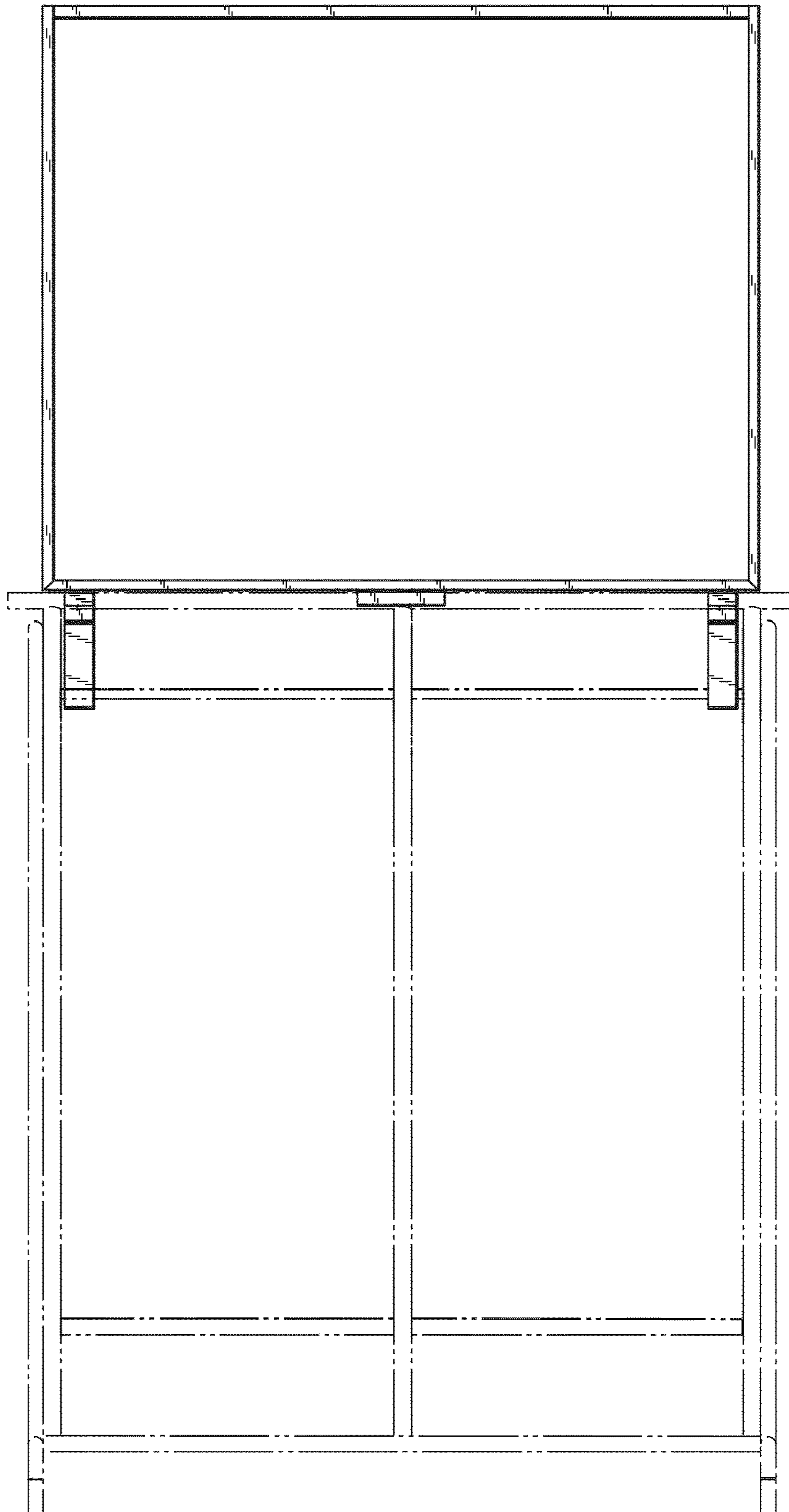


Fig. 2

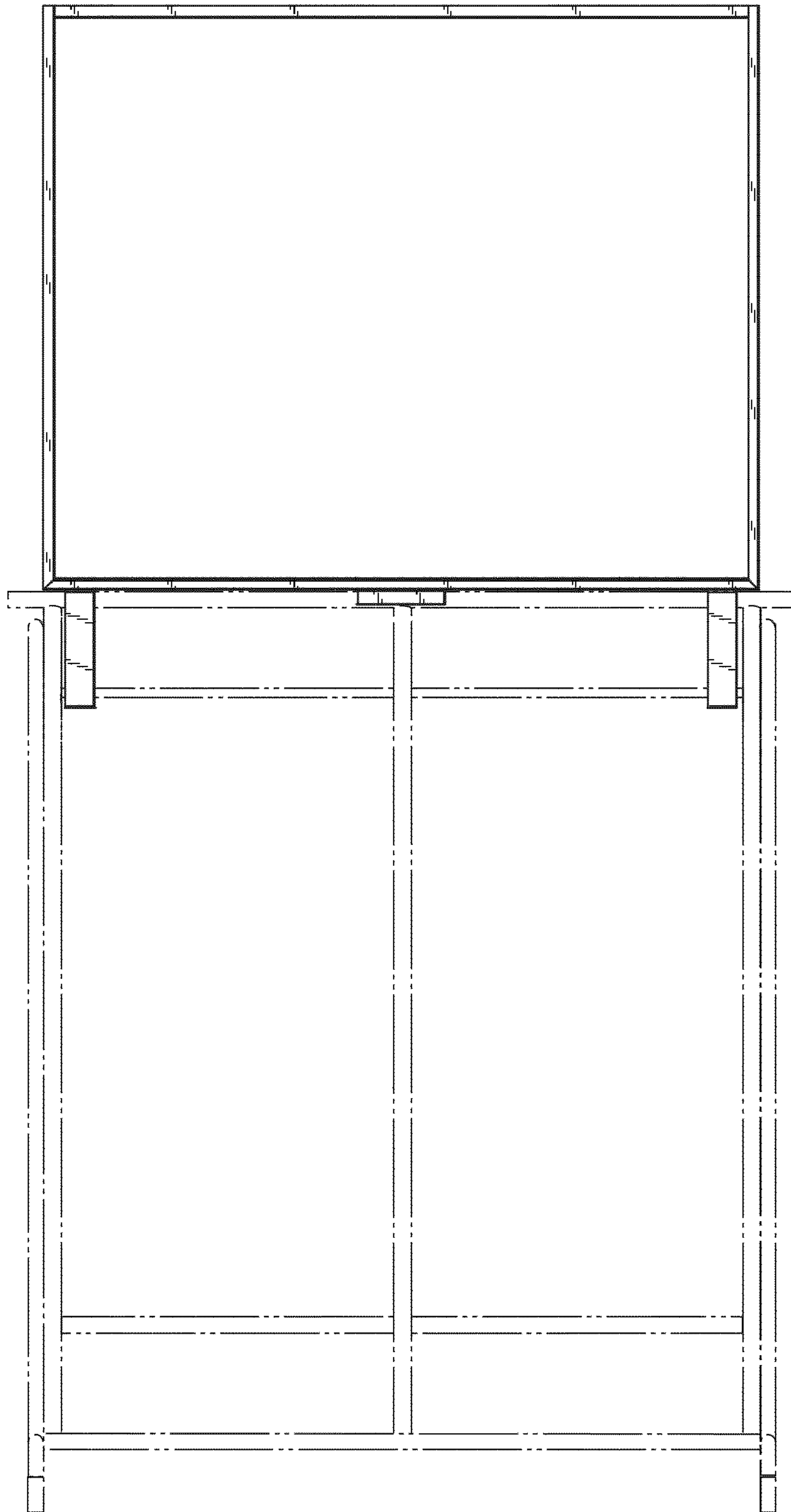


Fig. 3

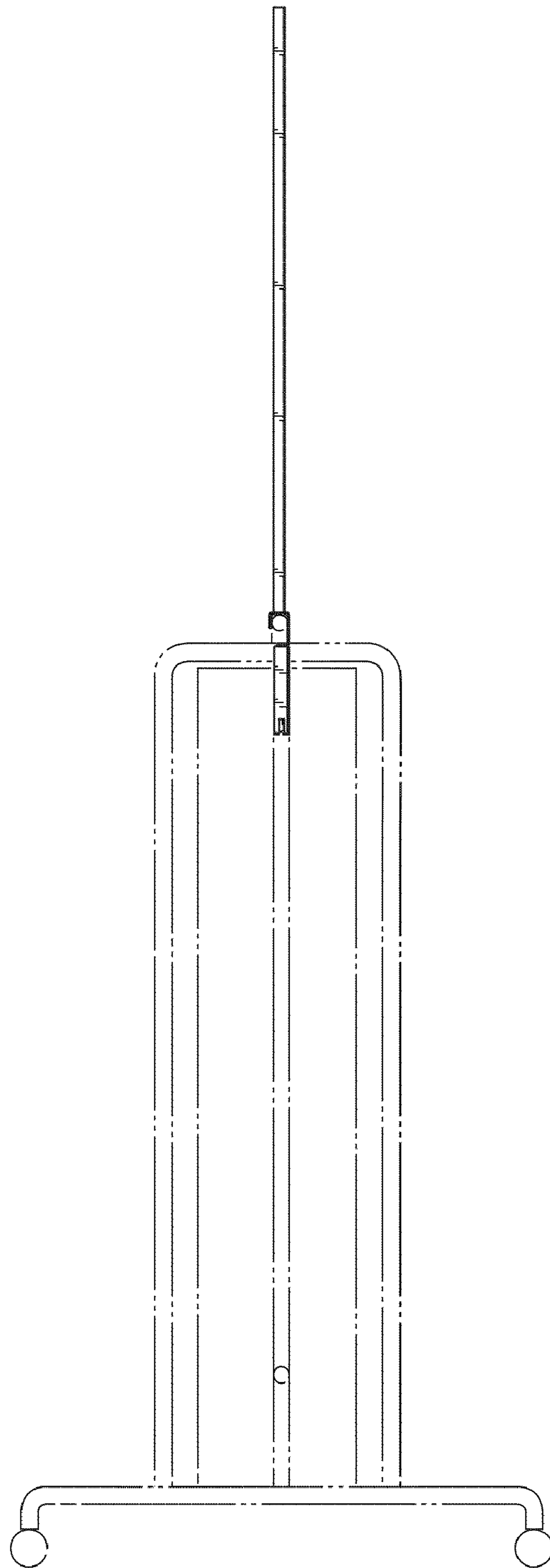


Fig. 4



Fig. 5



Fig. 6