



US00D571127S

(12) **United States Design Patent**
Cartwright

(10) **Patent No.:** **US D571,127 S**
(45) **Date of Patent:** **** Jun. 17, 2008**

(54) **TABLE**

(75) Inventor: **Michael E. Cartwright**, Houston, TX
(US)

(73) Assignee: **OPS, L.P.**, Houston, TX (US)

(**) Term: **14 Years**

(21) Appl. No.: **29/270,191**

(22) Filed: **Dec. 18, 2006**

(51) **LOC (8) Cl.** **06-03**

(52) **U.S. Cl.** **D6/480; D6/488**

(58) **Field of Classification Search** D6/480-489,
D6/495-499, 511, 429-431; 108/150, 153.1,
108/155, 156, 157.17, 161, 25; 248/188,
248/188.1, 188.7, 188.8

See application file for complete search history.

(56) **References Cited**

U.S. PATENT DOCUMENTS

D217,474 S *	5/1970	Craddock	D6/485
5,375,370 A *	12/1994	Zimmerman	248/188
D411,927 S *	7/1999	Rhienen	D6/480
D471,742 S *	3/2003	Muller	D6/488
D480,885 S *	10/2003	Martin	D6/349
D484,335 S *	12/2003	Murphy	D6/487
D506,082 S *	6/2005	Foy	D6/352
D538,355 S *	3/2007	Tyson	D21/397

* cited by examiner

Primary Examiner—Janice E Seeger

(74) *Attorney, Agent, or Firm*—Osha Liang LLP

(57) **CLAIM**

The ornamental design for a table, substantially as shown and described.

DESCRIPTION

FIG. 1 is a perspective view of a table of the present invention.

FIG. 2 is a top view of the table of the present invention.

FIG. 3 is a bottom view of the table of the present invention.

FIG. 4 is an elevation view of the table of the present invention along a first longitudinal side.

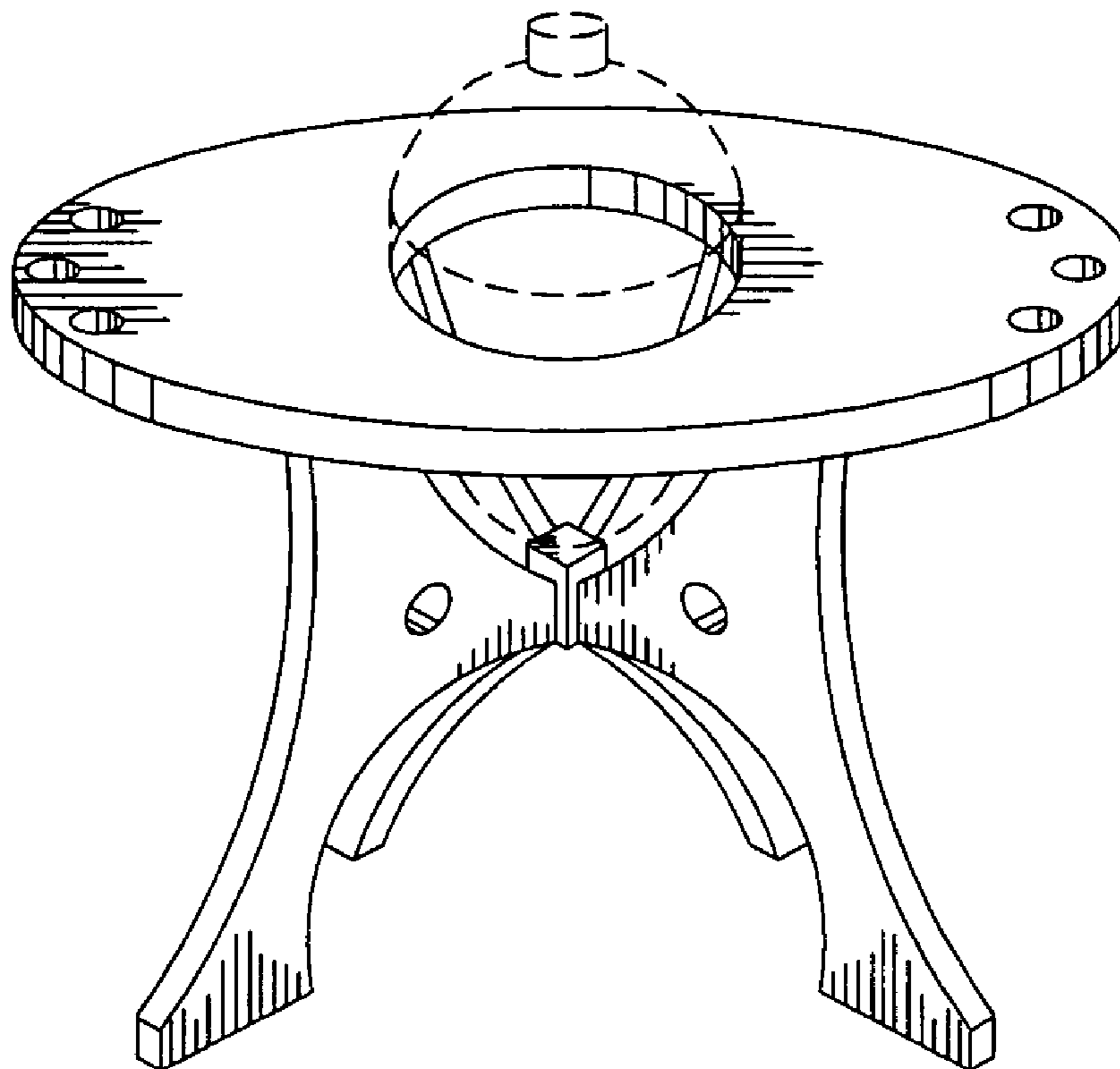
FIG. 5 is an elevation view of the table of the present invention along the second longitudinal side.

FIG. 6 is an elevation view of the table of the present invention along a first lateral side; and,

FIG. 7 is an elevation view of the table of the present invention along the second lateral side.

The broken lines are for environmental purposes only and form no part of the claimed design.

1 Claim, 2 Drawing Sheets



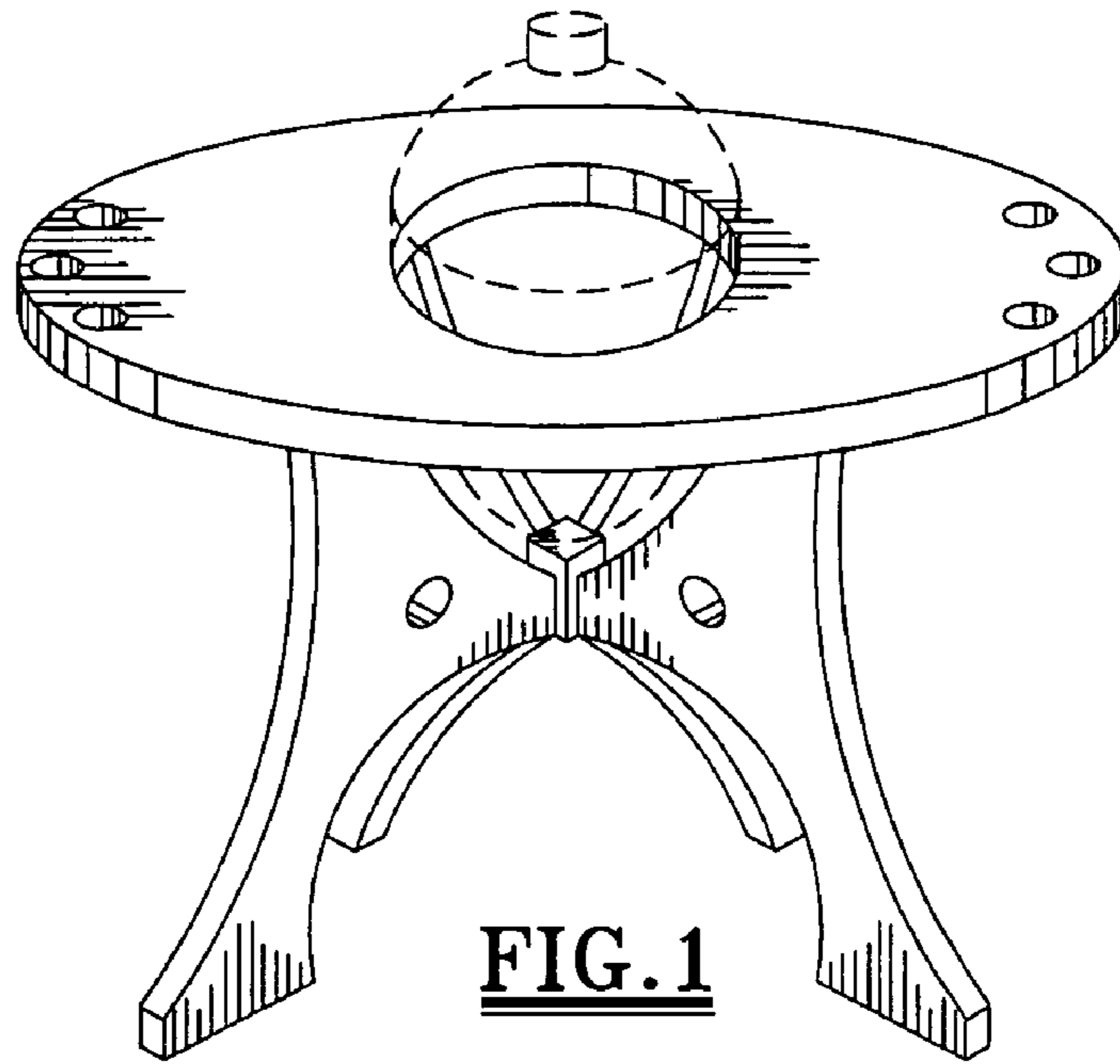


FIG. 2

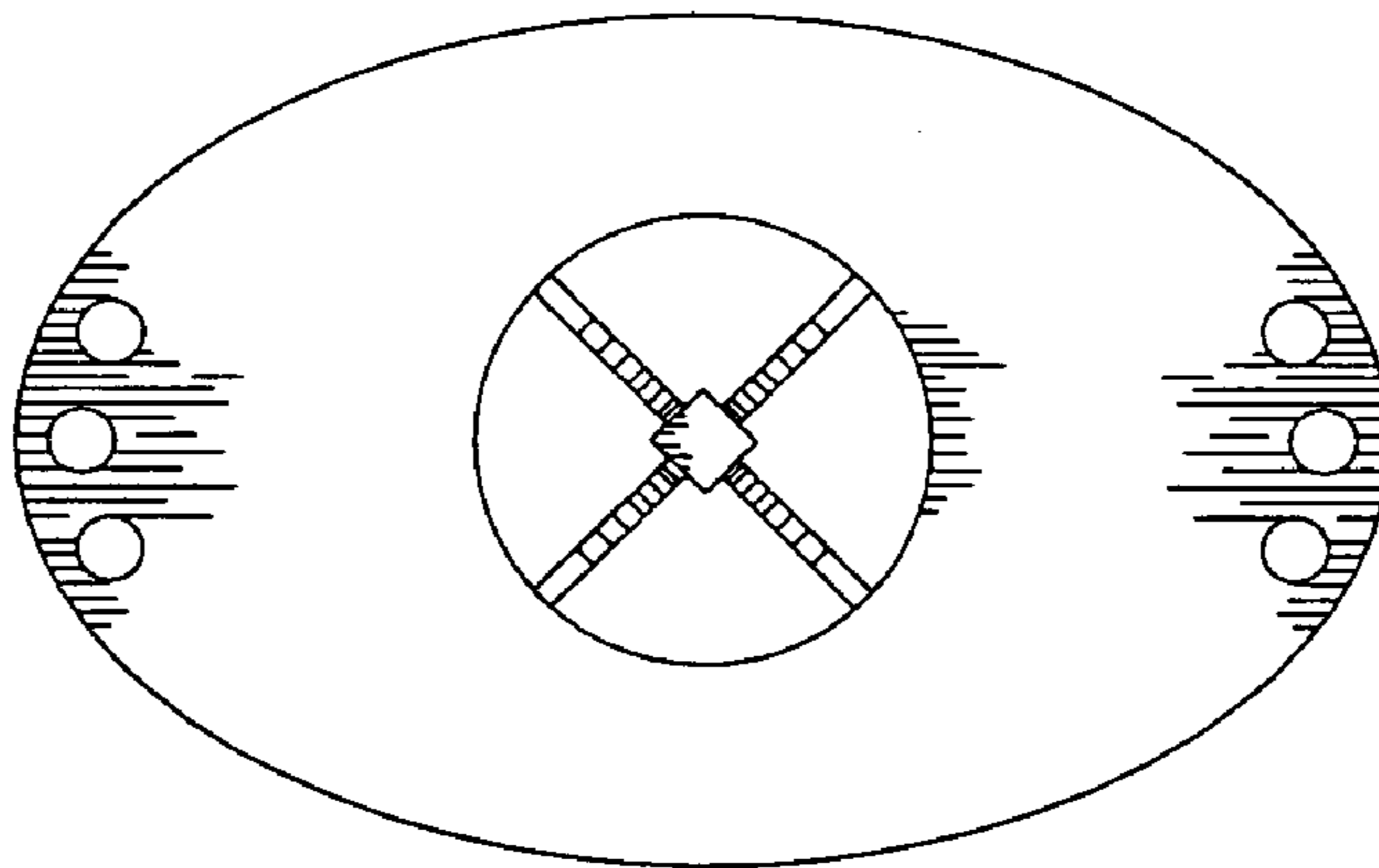
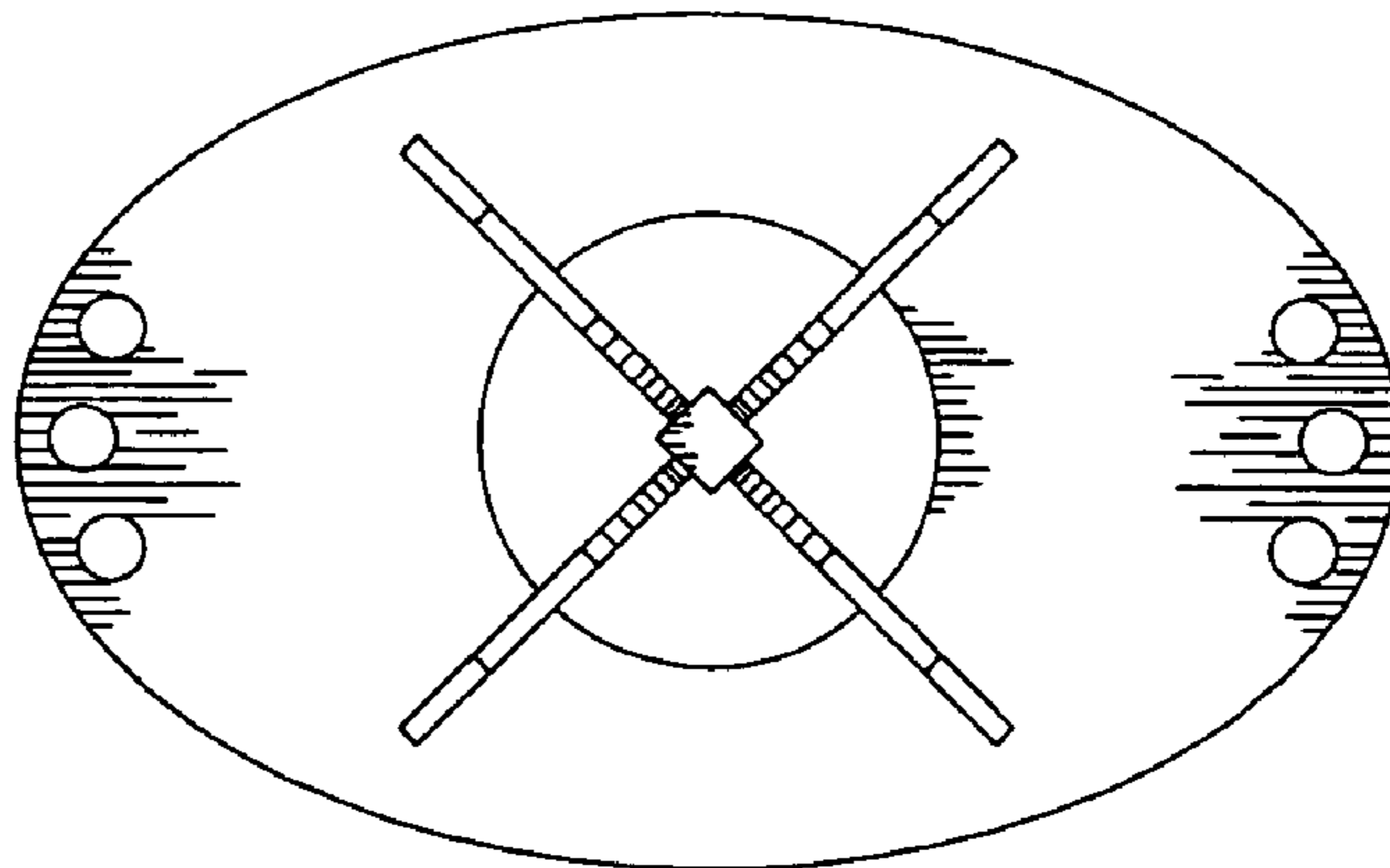


FIG. 3



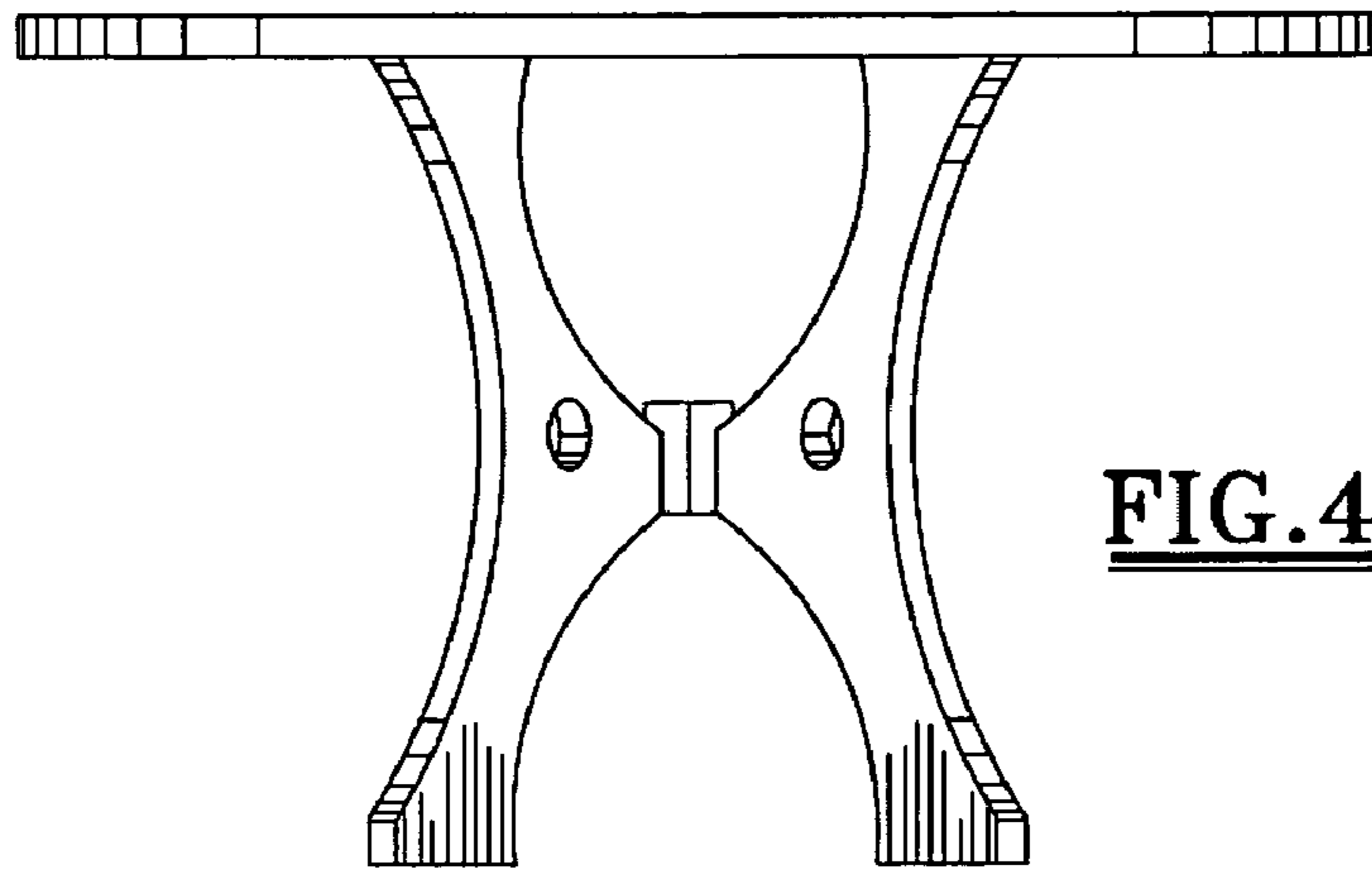


FIG. 4

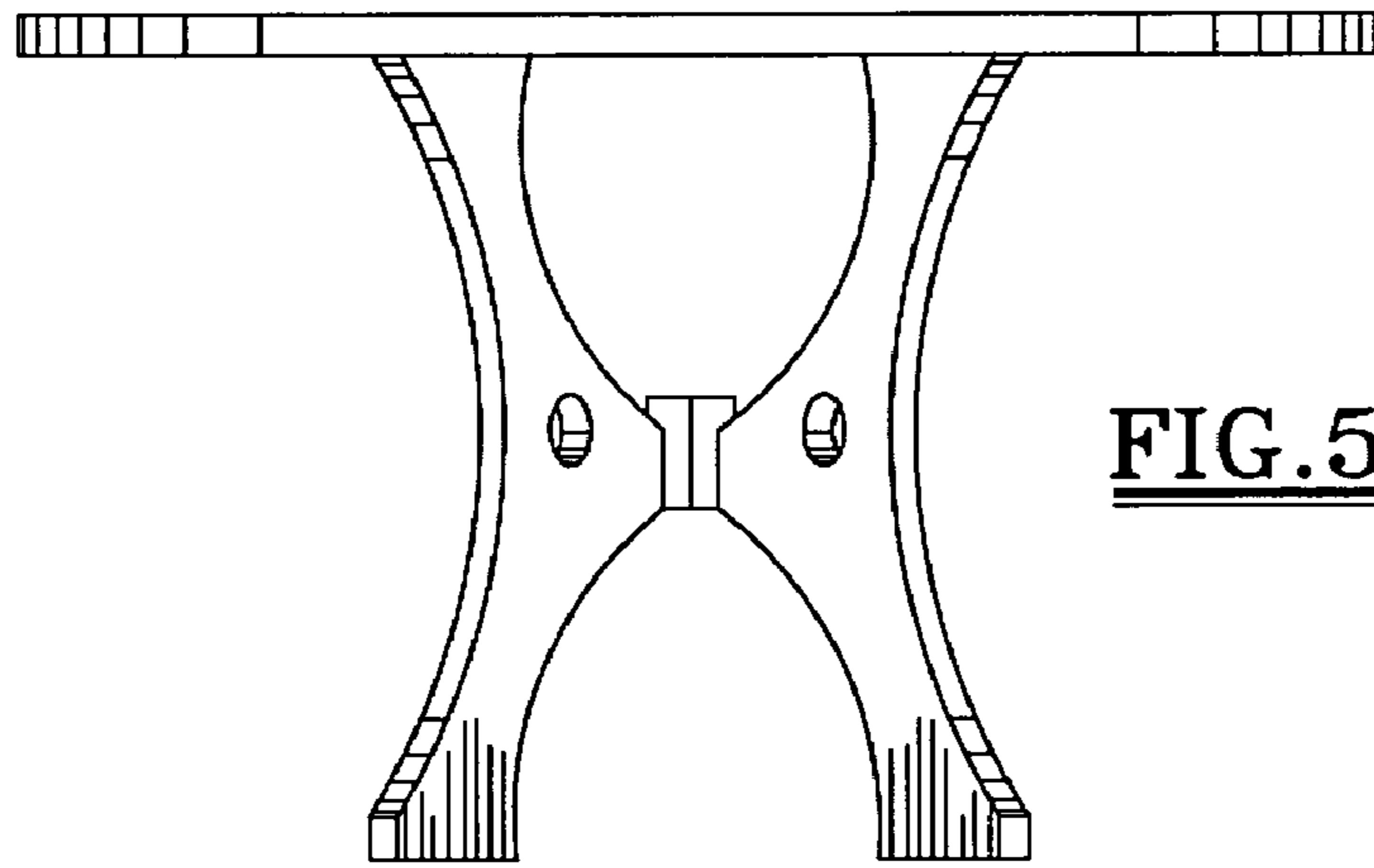


FIG. 5

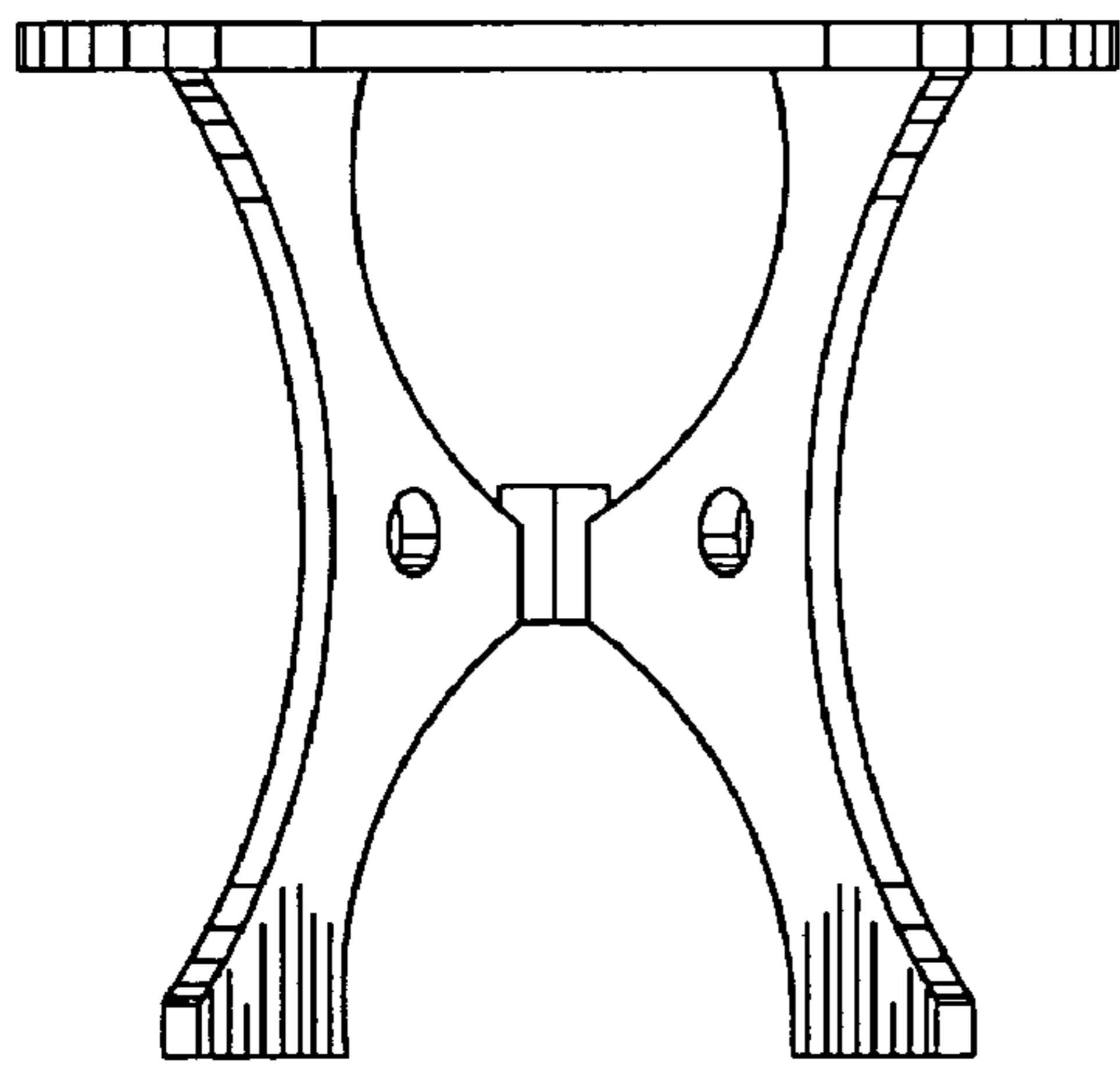


FIG. 6

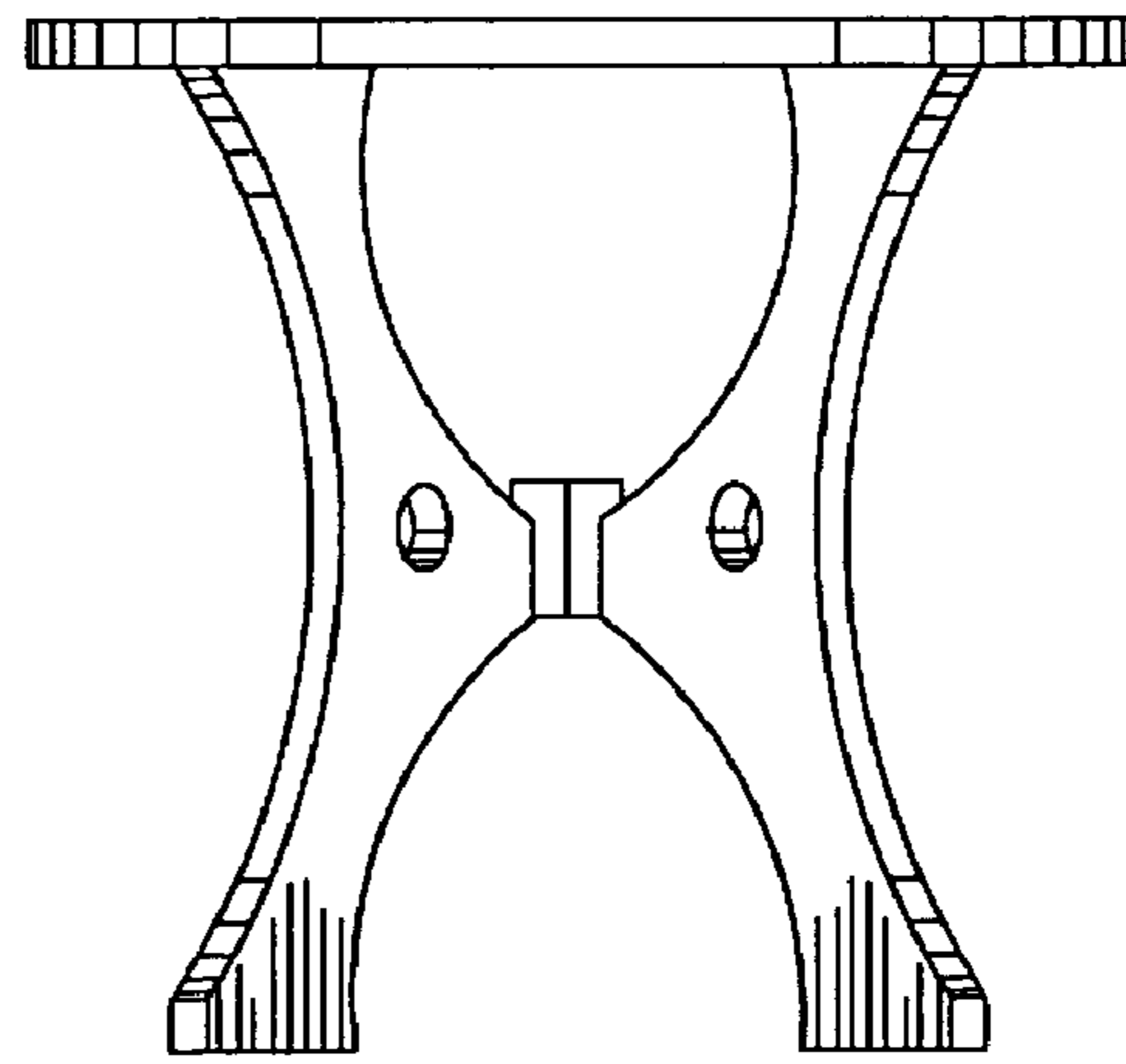


FIG. 7