

US00D571125S

(12) **United States Design Patent**
Peters

(10) **Patent No.:** **US D571,125 S**

(45) **Date of Patent:** **** Jun. 17, 2008**

(54) **DISPLAY DEVICE**

(76) Inventor: **Denroy A. Peters**, 220 Madison Ave.,
Irvington, NJ (US) 07111

(**) Term: **14 Years**

(21) Appl. No.: **29/292,387**

(22) Filed: **Oct. 10, 2007**

Related U.S. Application Data

(63) Continuation of application No. 11/253,902, filed on
Oct. 19, 2005, now abandoned.

(51) **LOC (8) Cl.** **06-04**

(52) **U.S. Cl.** **D6/474**

(58) **Field of Classification Search** D6/460,
D6/405, 474, 403, 462-465, 475-479; 211/205,
211/196, 103, 106, 85.31; 47/39, 41.04,
47/44, 46-47, 67, 70
See application file for complete search history.

(56) **References Cited**

U.S. PATENT DOCUMENTS

2,435,132	A *	1/1948	D'Horaene	108/101
3,782,296	A *	1/1974	Moretini	108/101
D253,980	S *	1/1980	Schriever	D6/474
D284,336	S *	6/1986	Berry, Jr.	D6/430
D287,796	S *	1/1987	Evans	D6/483

5,178,286	A *	1/1993	Allison, III	211/85.23
D357,160	S *	4/1995	Fritze	D6/474
D370,801	S *	6/1996	Oliver et al.	D6/474
D435,177	S *	12/2000	Buell et al.	D6/403
D446,402	S *	8/2001	Davies	D6/403
D446,403	S *	8/2001	Davies	D6/403
D466,763	S *	12/2002	Wu	D7/637

* cited by examiner

Primary Examiner—Elizabeth A. Albert
Assistant Examiner—Kelley A Donnelly
(74) *Attorney, Agent, or Firm*—Ted Masters

(57) **CLAIM**

The ornamental design for a display device, as shown and described.

DESCRIPTION

FIG. 1 is a top plan view of a display device showing my new design;

FIG. 2 is a front elevation view of the display device;

FIG. 3 is a perspective view of the display device; and,

FIG. 4 is a front elevation view of the display device with a flower pot and flowers on top of one of the platforms.

The broken lines in FIG. 4 showing the flower pot and flowers are for illustrative purposes only and form no part of the claimed invention.

1 Claim, 3 Drawing Sheets

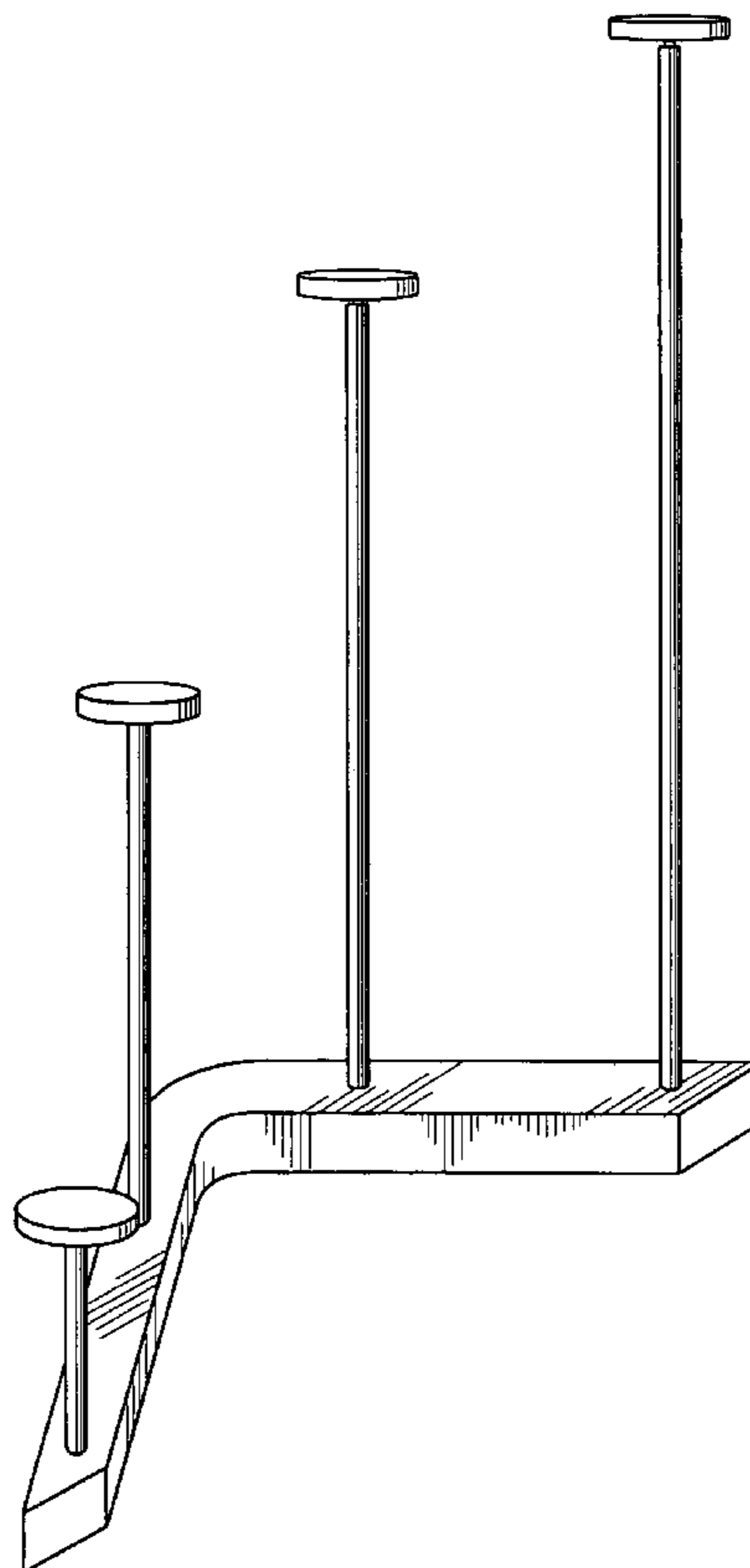


Fig. 1

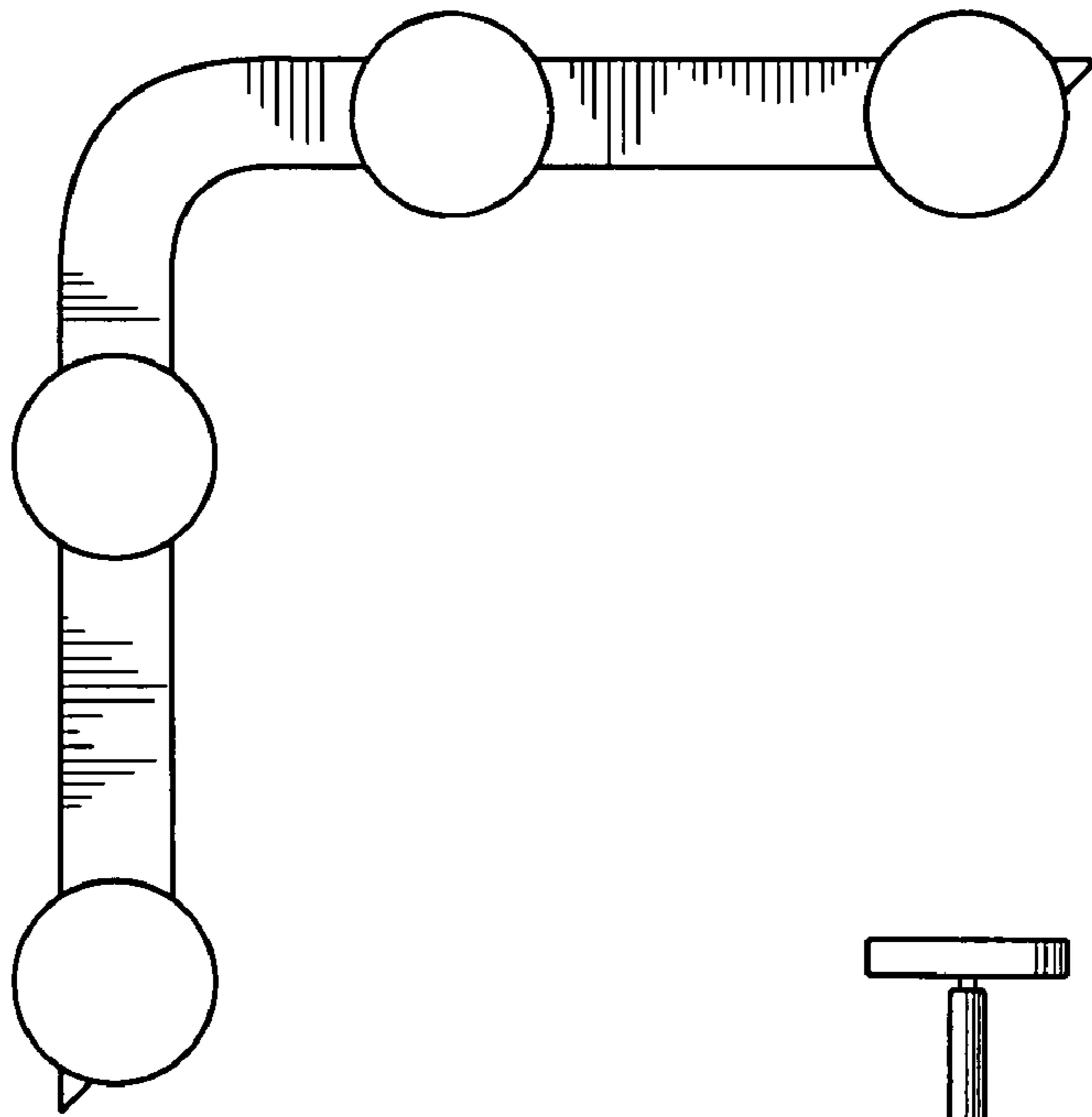


Fig. 2

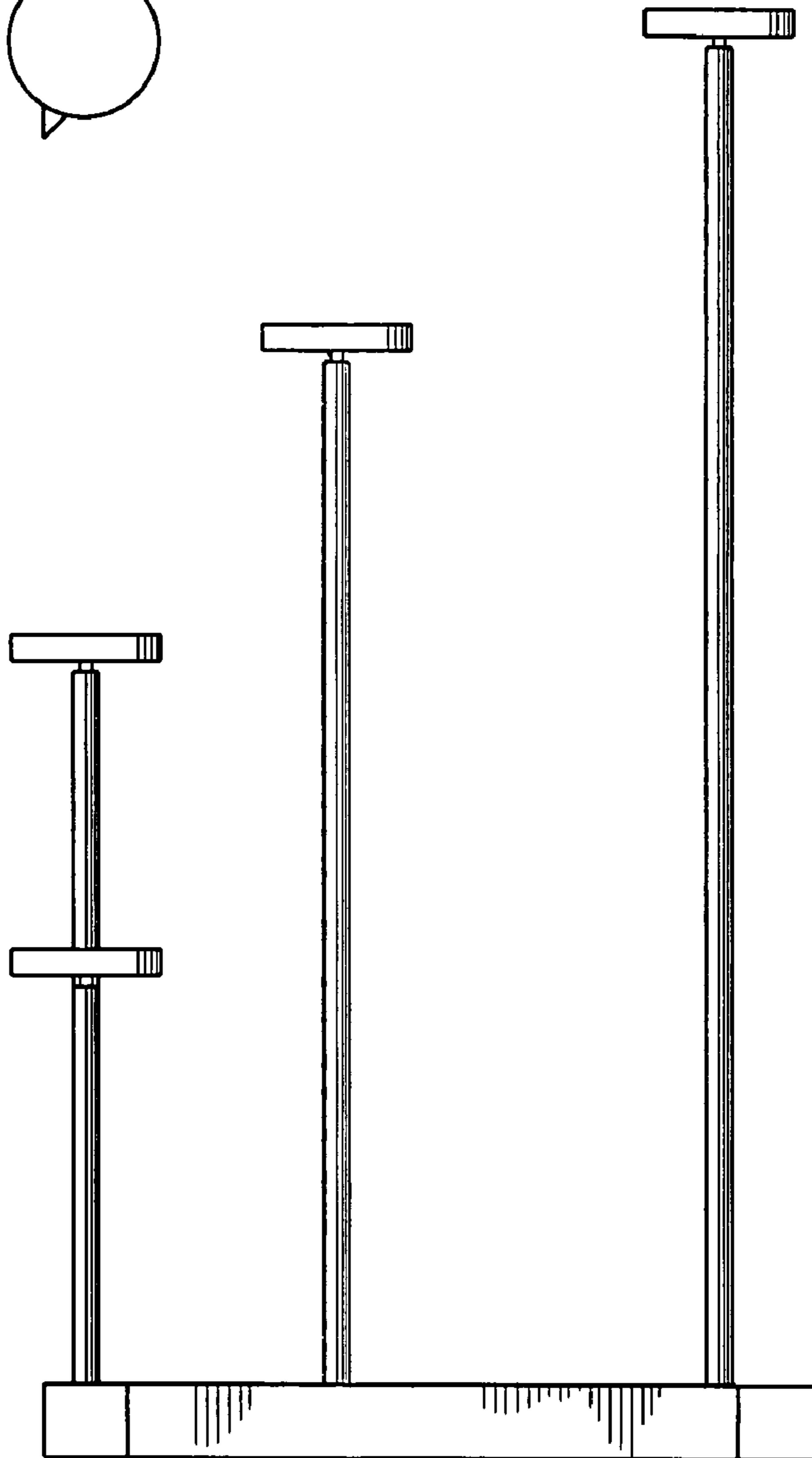


Fig. 3

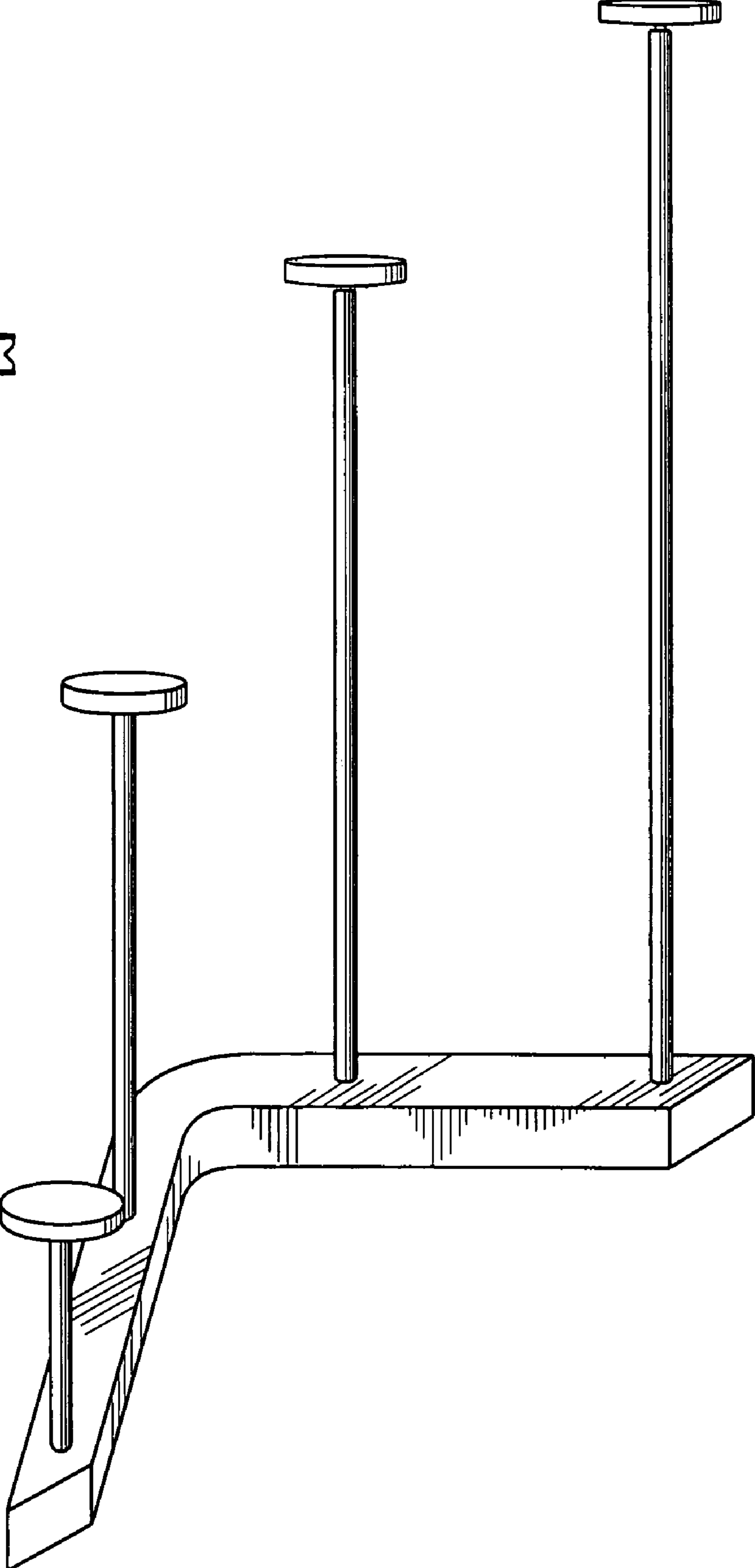


Fig. 4

