

US00D571124S

(12) **United States Design Patent**  
**Strause**

(10) **Patent No.:** **US D571,124 S**

(45) **Date of Patent:** **\*\* Jun. 17, 2008**

(54) **GUITAR STAND**

(76) **Inventor:** **Eric Strause**, 1555 Old Lancaster Pike,  
Sinking Spring, PA (US) 19608

(\*\*) **Term:** **14 Years**

(21) **Appl. No.:** **29/278,489**

(22) **Filed:** **Mar. 30, 2007**

(51) **LOC (8) Cl.** ..... **06-04**

(52) **U.S. Cl.** ..... **D6/466; D6/467**

(58) **Field of Classification Search** ..... D6/449,  
D6/467, 409-415, 455-458, 461-462, 464-466,  
D6/468, 474, 476, 414; 211/13.1, 85.1, 85.2,  
211/85.3, 85.4, 85.5, 30, 90.01, 134, 64, 60.1,  
211/68, 70.8; 248/206; 312/114, 290  
See application file for complete search history.

(56) **References Cited**

**U.S. PATENT DOCUMENTS**

1,565,464	A	12/1925	Kay	
1,774,096	A	8/1930	Hasterok et al.	
2,058,184	A	10/1936	Sherrard	
2,070,507	A *	2/1937	Bishop	312/290
D162,207	S *	2/1951	Mettenleiter	D6/467
D249,425	S *	9/1978	Jones	D6/462
D252,303	S *	7/1979	Persky	D6/142
5,149,901	A	9/1992	Boor et al.	
5,248,186	A	9/1993	Steinfeld et al.	

D353,285	S *	12/1994	Spirk et al.	D6/467
D358,280	S *	5/1995	LaFontaine	D6/467
6,006,863	A	12/1999	LeGrand et al.	
6,296,213	B1	10/2001	Law et al.	
D451,705	S *	12/2001	Rankin et al.	D6/464
D464,215	S *	10/2002	Patchen	D6/467
6,540,182	B1	4/2003	Wilfer	
6,588,715	B2	7/2003	Wilfer	
6,800,798	B2	10/2004	Hsieh	

\* cited by examiner

*Primary Examiner*—Caron D. Veynar

*Assistant Examiner*—Sydney R Buffalow

(74) *Attorney, Agent, or Firm*—Barley Snyder LLC

(57) **CLAIM**

The ornamental design for a guitar stand, as shown and described.

**DESCRIPTION**

FIG. 1 is a front, top, and left side oblique view of a guitar stand, showing my new design;

FIG. 2 is a right side elevation view thereof;

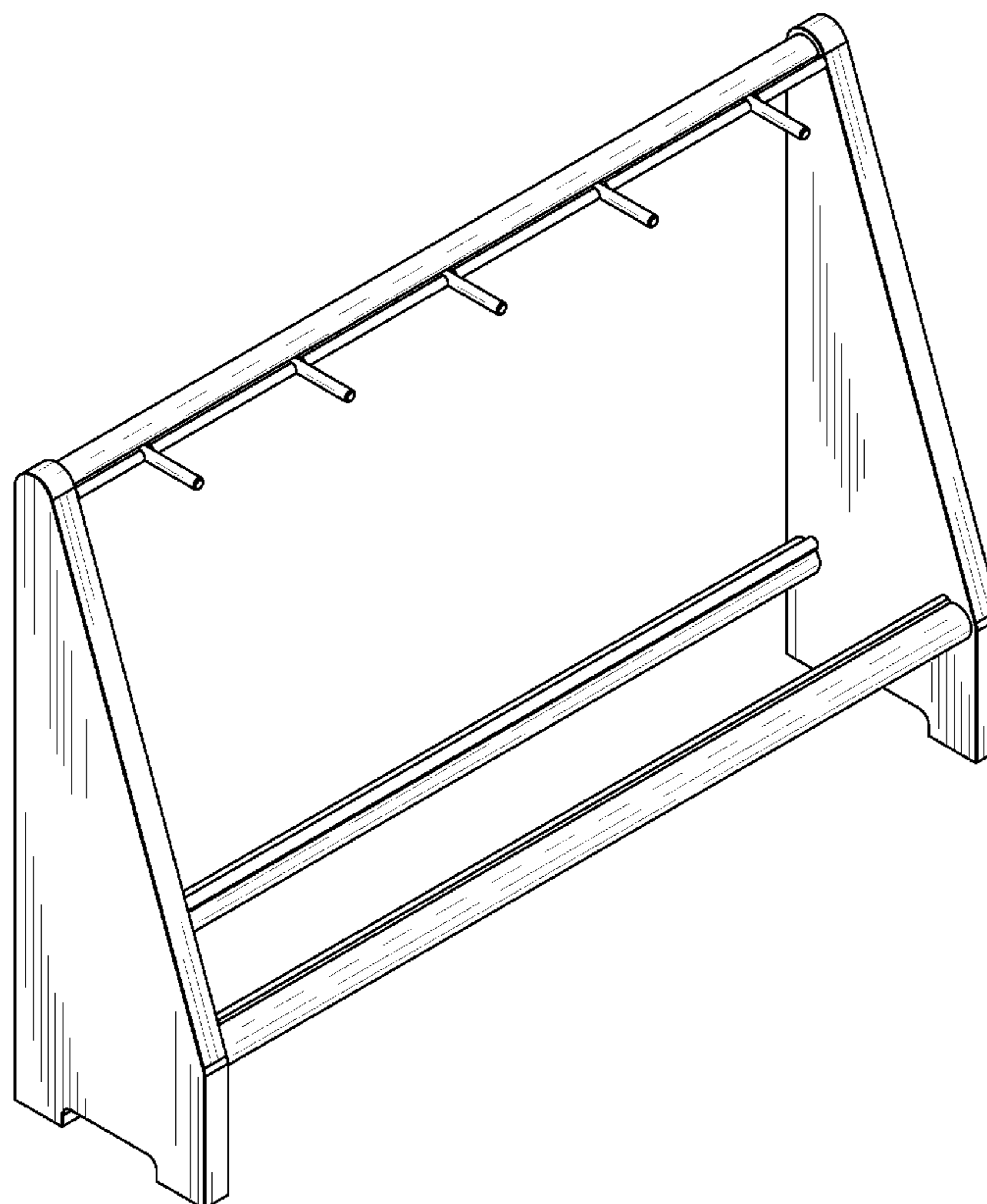
FIG. 3 is a front elevation view thereof;

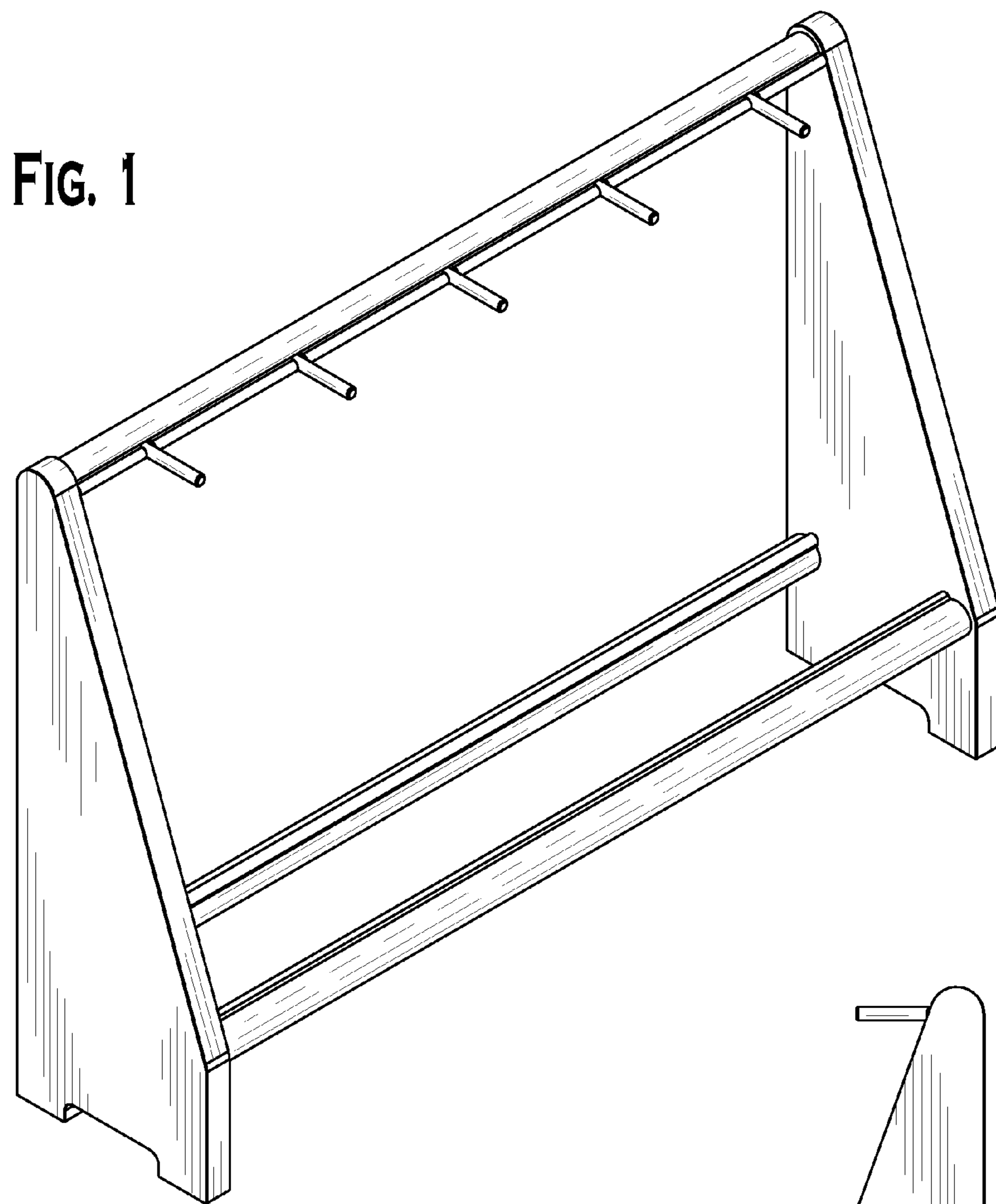
FIG. 4 is a top plan view thereof;

FIG. 5 is a rear elevation view thereof; and,

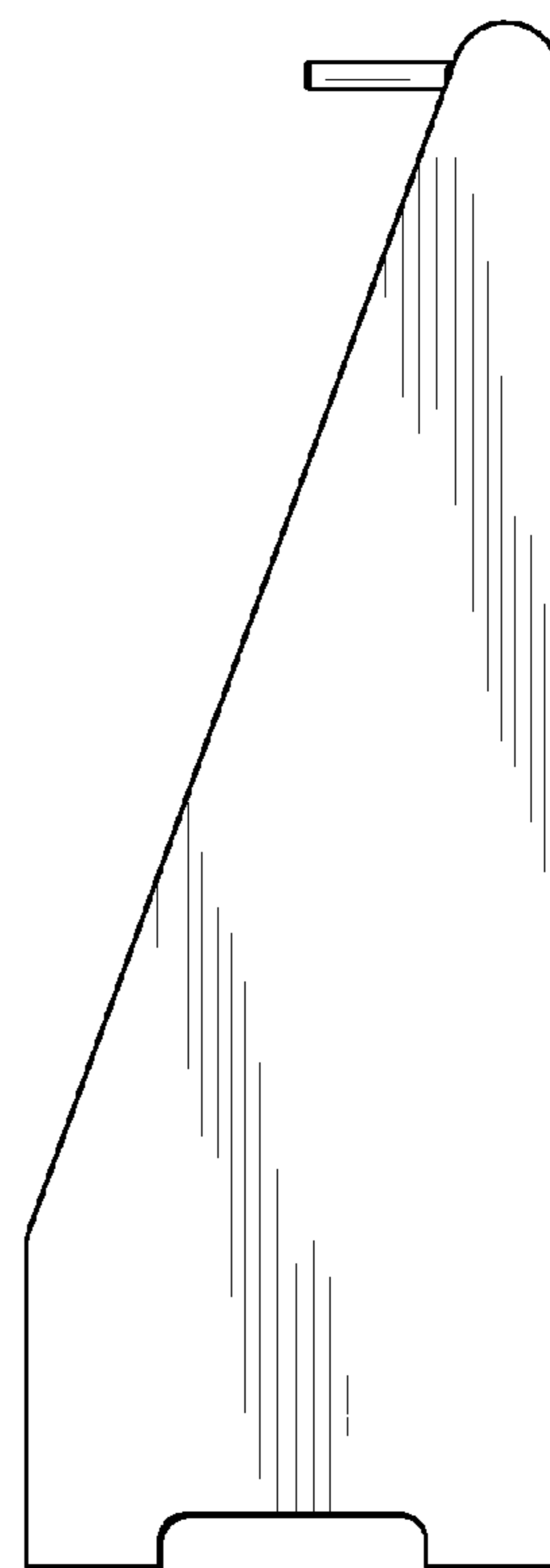
FIG. 6 is a bottom plan view thereof.

**1 Claim, 3 Drawing Sheets**

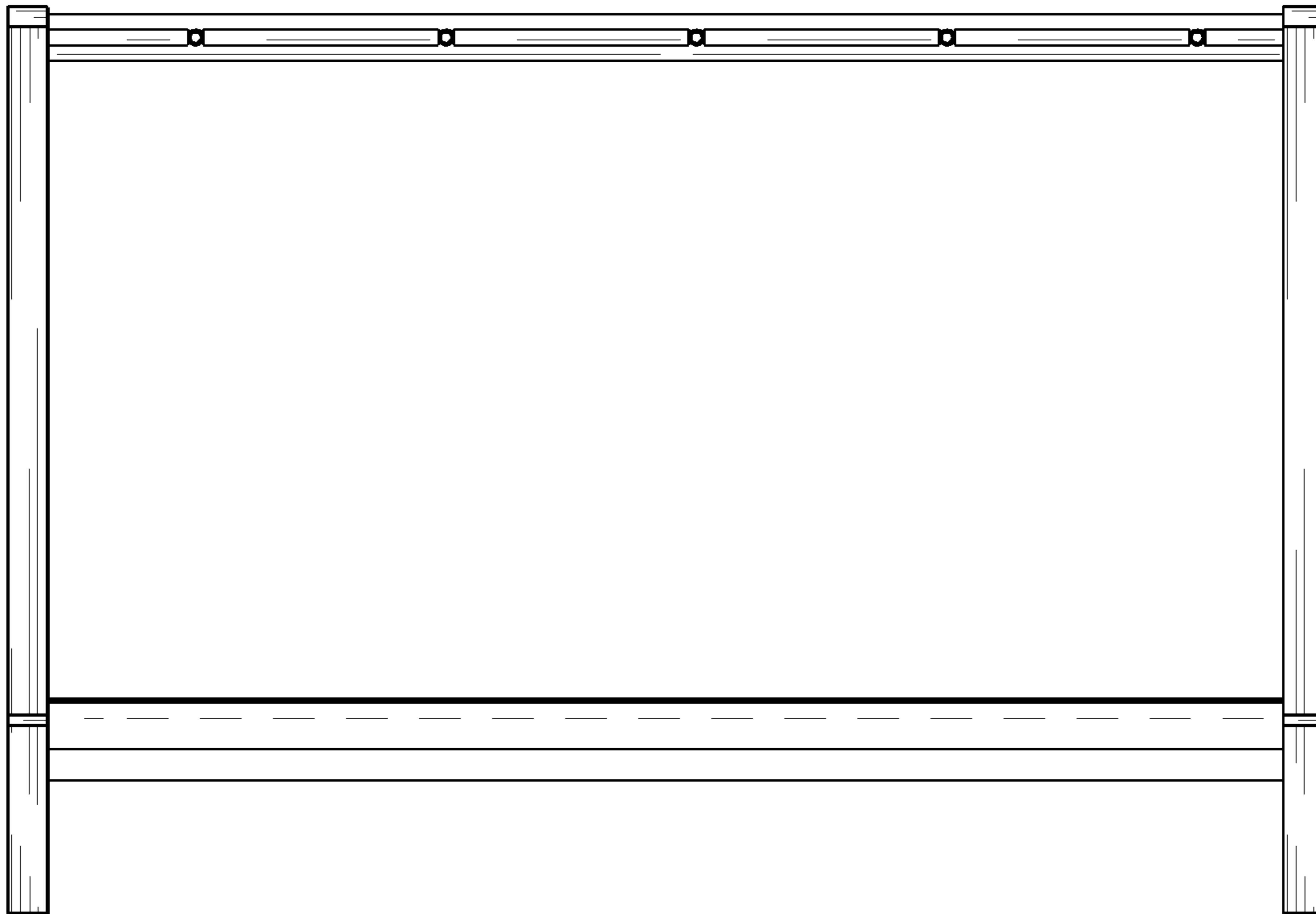




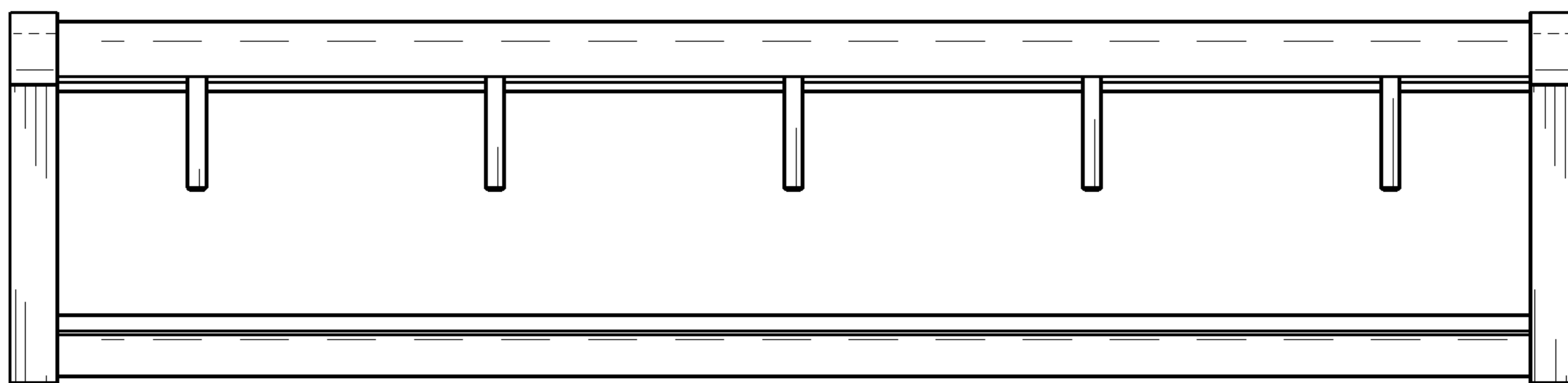
**FIG. 2**



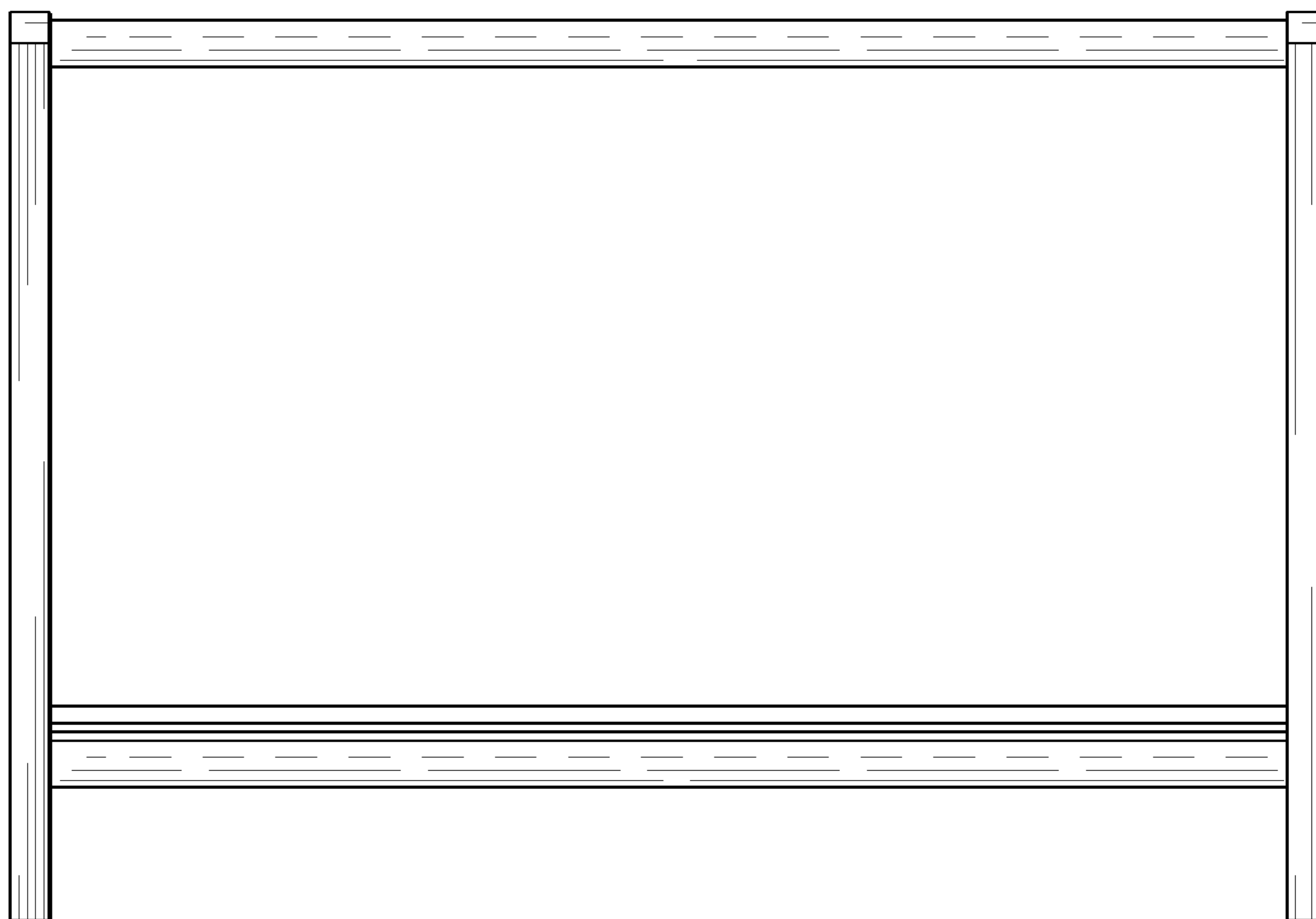
**FIG. 3**



**FIG. 4**



**FIG. 5**



**FIG. 6**

