

US00D571123S

(12) **United States Design Patent**
Zandt

(10) **Patent No.:** **US D571,123 S**
(45) **Date of Patent:** **** Jun. 17, 2008**

(54) **MERCHANDISING DISPLAY RACK**

2006/0049124 A1* 3/2006 Wang 211/113

(76) Inventor: **Jim Zandt**, 1769 San Luis Dr., San Luis Obispo, CA (US) 93401

* cited by examiner

(**) Term: **14 Years**

Primary Examiner—Caron D. Veynar
Assistant Examiner—Sydney R Buffalow
(74) *Attorney, Agent, or Firm*—Philip A Steiner, Esq.

(21) Appl. No.: **29/278,042**

(22) Filed: **Mar. 16, 2007**

(57) **CLAIM**

The ornamental design for merchandising display rack, as shown and described.

(51) **LOC (8) Cl.** **06-04**

(52) **U.S. Cl.** **D6/466**

(58) **Field of Classification Search** D6/314,
D6/300, 468, 467, 466, 553, 449, 396, 460,
D6/473–476, 461; 40/700; 211/40, 57.1,
211/59.1, 94, 188, 189, 113; 248/121, 243;
206/499

DESCRIPTION

This application is related to co-pending U.S. design patent application Ser. No. 29/248,717 filed on Aug. 30, 2006 to the instant inventor.

See application file for complete search history.

FIG. 1 is a top view of a merchandising display rack showing my new design;

(56) **References Cited**

FIG. 2 is a frontal elevational view thereof;

U.S. PATENT DOCUMENTS

FIG. 3 is side view thereof;

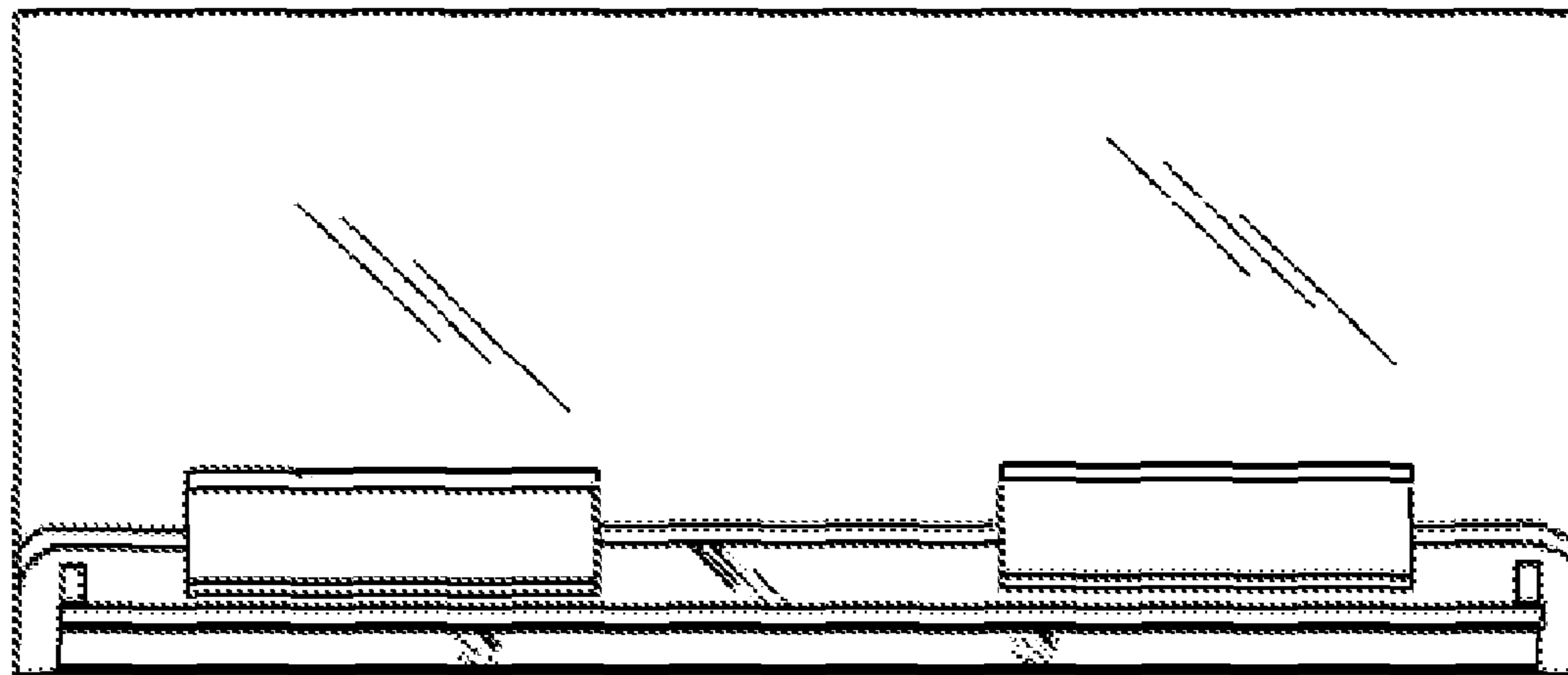
- 2,303,344 A * 12/1942 Erne 206/499
- D370,355 S * 6/1996 Kenney D6/314
- D455,914 S * 4/2002 Campello et al. D6/449
- D499,890 S * 12/2004 Peck D6/306
- D505,556 S * 5/2005 Keigley D6/310
- D532,218 S * 11/2006 Caldwell et al. D6/468
- D542,582 S * 5/2007 Stafford et al. D6/553

FIG. 4 is a bottom view thereof; and,

FIG. 5 is a perspective view.

The broken lines are for the illustrative purposes only and form no part of the claimed design.

1 Claim, 3 Drawing Sheets



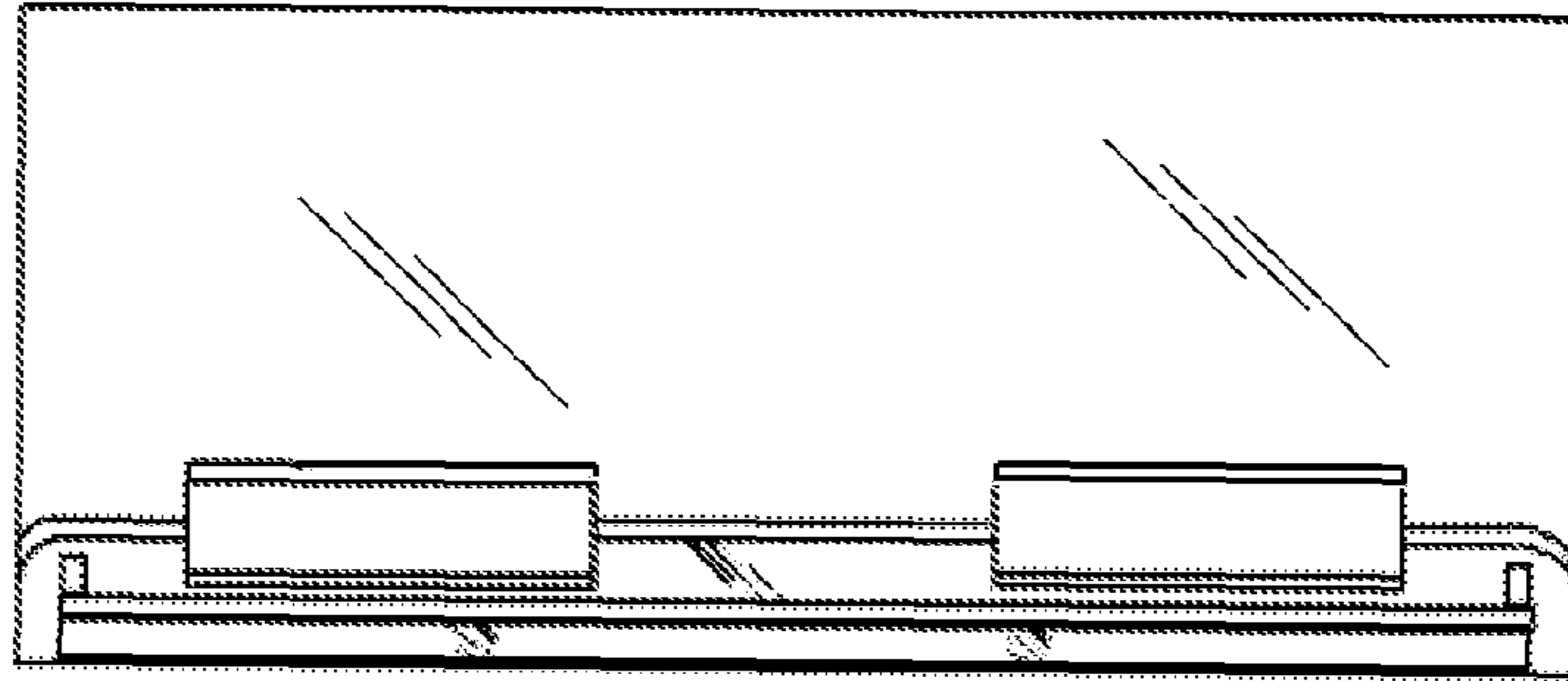


Fig. 1

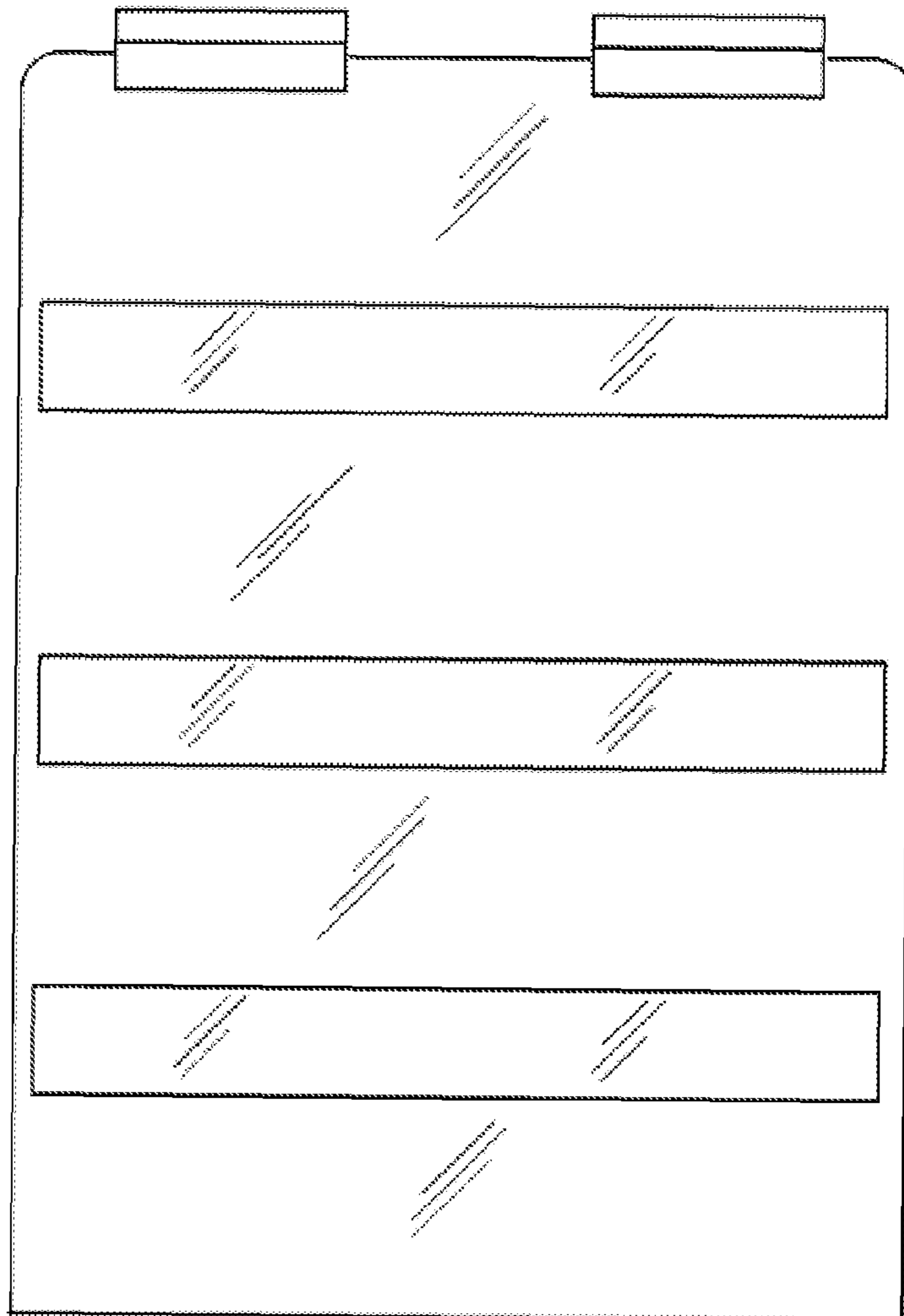


Fig. 2

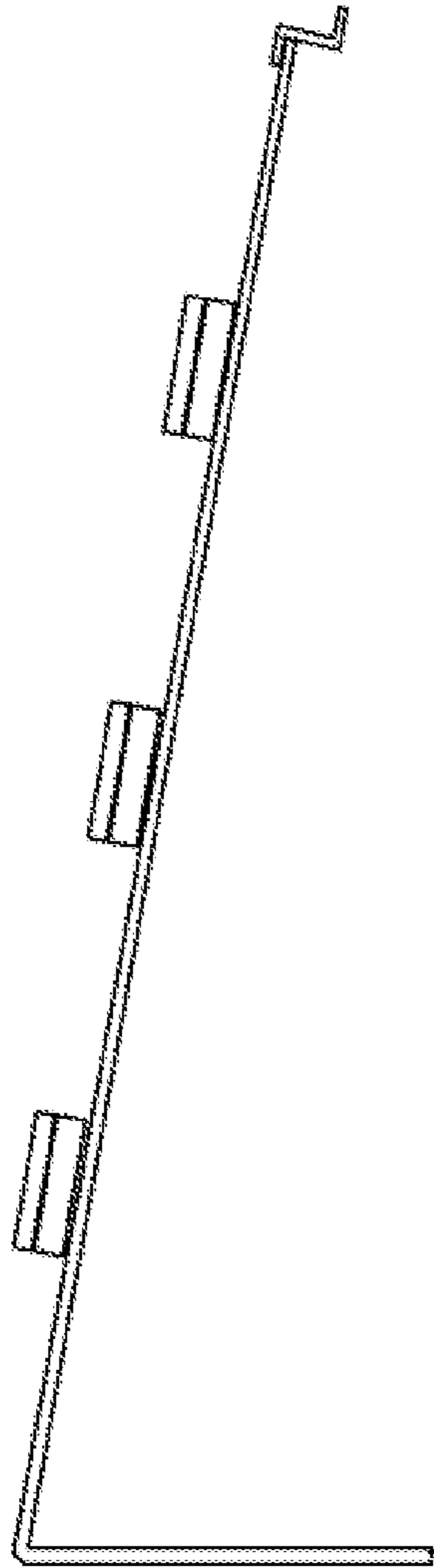


Fig. 3

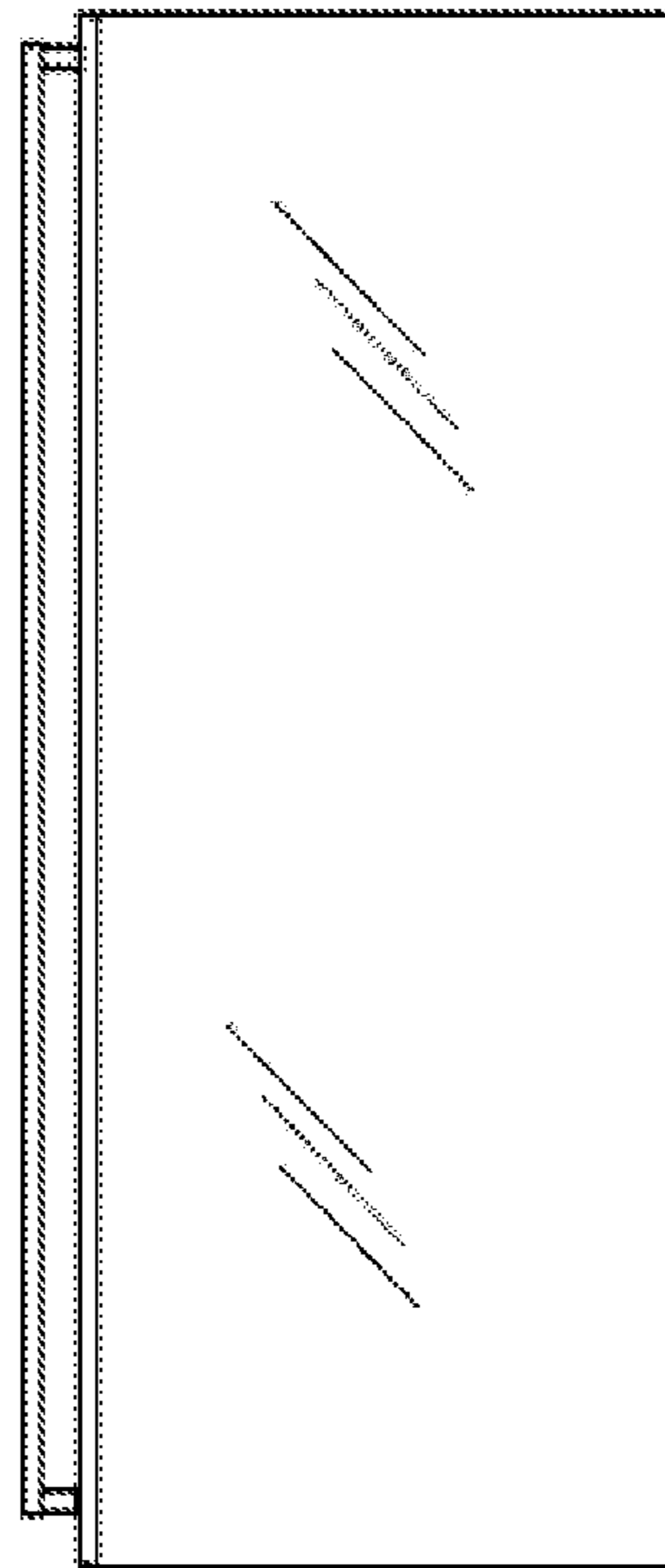


Fig. 4

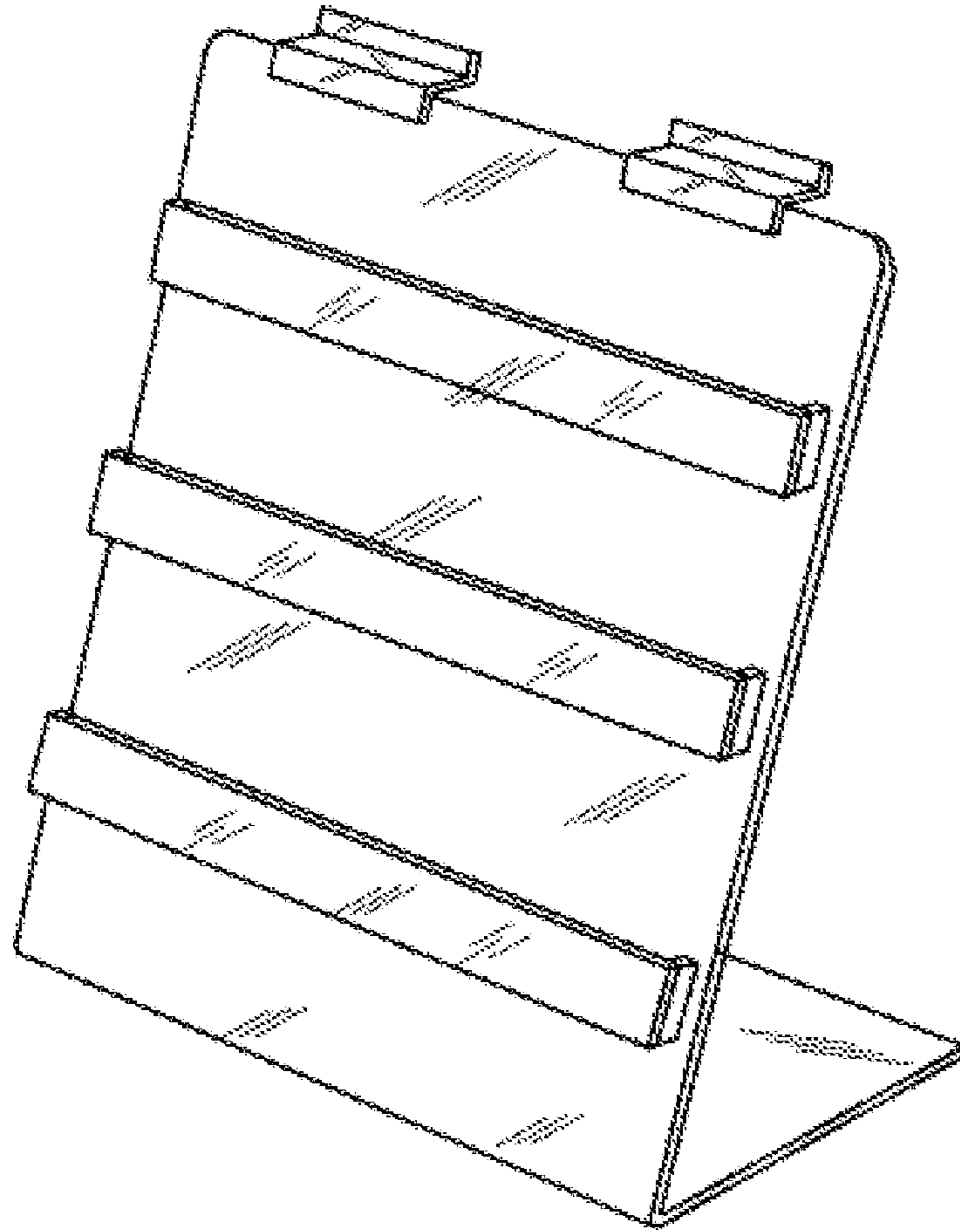


Fig. 5