



US00D571121S

(12) **United States Design Patent**
Radermacher

(10) **Patent No.:** **US D571,121 S**
(45) **Date of Patent:** **** Jun. 17, 2008**

(54) **FOLDABLE STAND FOR CROSS-CUT SAWS**

(75) Inventor: **Uwe Radermacher**, Weibern (DE)

(73) Assignee: **Wolfcraft GmbH** (DE)

(**) Term: **14 Years**

(21) Appl. No.: **29/242,637**

(22) Filed: **Nov. 10, 2005**

(30) **Foreign Application Priority Data**

May 23, 2005 (EM) 000348651

(51) **LOC (8) Cl.** **06-02**

(52) **U.S. Cl.** **D6/400**

(58) **Field of Classification Search** D6/396,
D6/397, 400; 144/286.1, 286.5, 287; 182/155;
452/194; 119/753; 312/209

See application file for complete search history.

(56) **References Cited**

U.S. PATENT DOCUMENTS

4,864,941	A *	9/1989	Goulter	108/132
D304,650	S *	11/1989	Price	D6/429
5,119,903	A	6/1992	Ulshafer, Jr.	
5,592,981	A	1/1997	Derecktor	
5,836,365	A	11/1998	Derecktor	
6,745,804	B2	6/2004	Welsh et al.	
7,210,510	B2 *	5/2007	Barclay de Tolly	144/286.1
7,222,648	B2 *	5/2007	Liu et al.	144/286.5
7,240,705	B2 *	7/2007	Alger	144/286.5
D549,749	S *	8/2007	Francis et al.	D15/141
2002/0124705	A1 *	9/2002	Ricker	83/477.2
2002/0129870	A1 *	9/2002	Ayala et al.	144/286.5
2003/0024604	A1 *	2/2003	Derecktor	144/286.5

2004/0221923	A1 *	11/2004	Welsh et al.	144/287
2004/0250903	A1	12/2004	Welsh	
2005/0006002	A1 *	1/2005	Barclay de Tolly	144/286.5
2005/0183559	A1 *	8/2005	Rue	83/574
2006/0162627	A1 *	7/2006	Alger	108/169
2006/0180244	A1 *	8/2006	Ayala et al.	144/287
2006/0191309	A1 *	8/2006	Anderson et al.	72/319
2006/0272744	A1 *	12/2006	Liu et al.	144/286.5
2007/0000363	A1 *	1/2007	Kollman et al.	83/13
2007/0131306	A1 *	6/2007	Snider	144/286.1

FOREIGN PATENT DOCUMENTS

DE 10303115 A1 8/2003

* cited by examiner

Primary Examiner—Robert M. Spear

Assistant Examiner—George D Kirschbaum

(74) *Attorney, Agent, or Firm*—Bell, Boyd & Lloyd LLP

(57) **CLAIM**

I claim the ornamental design for foldable stand for cross-cut saws, as shown and described.

DESCRIPTION

FIG. 1 is a perspective view of a foldable stand for cross-cut saws showing my new design;

FIG. 2 is a top view thereof;

FIG. 3 is a left side view thereof;

FIG. 4 is a right side view thereof;

FIG. 5 is a rear view thereof;

FIG. 6 is a bottom view thereof; and,

FIG. 7 is a front view thereof.

1 Claim, 3 Drawing Sheets

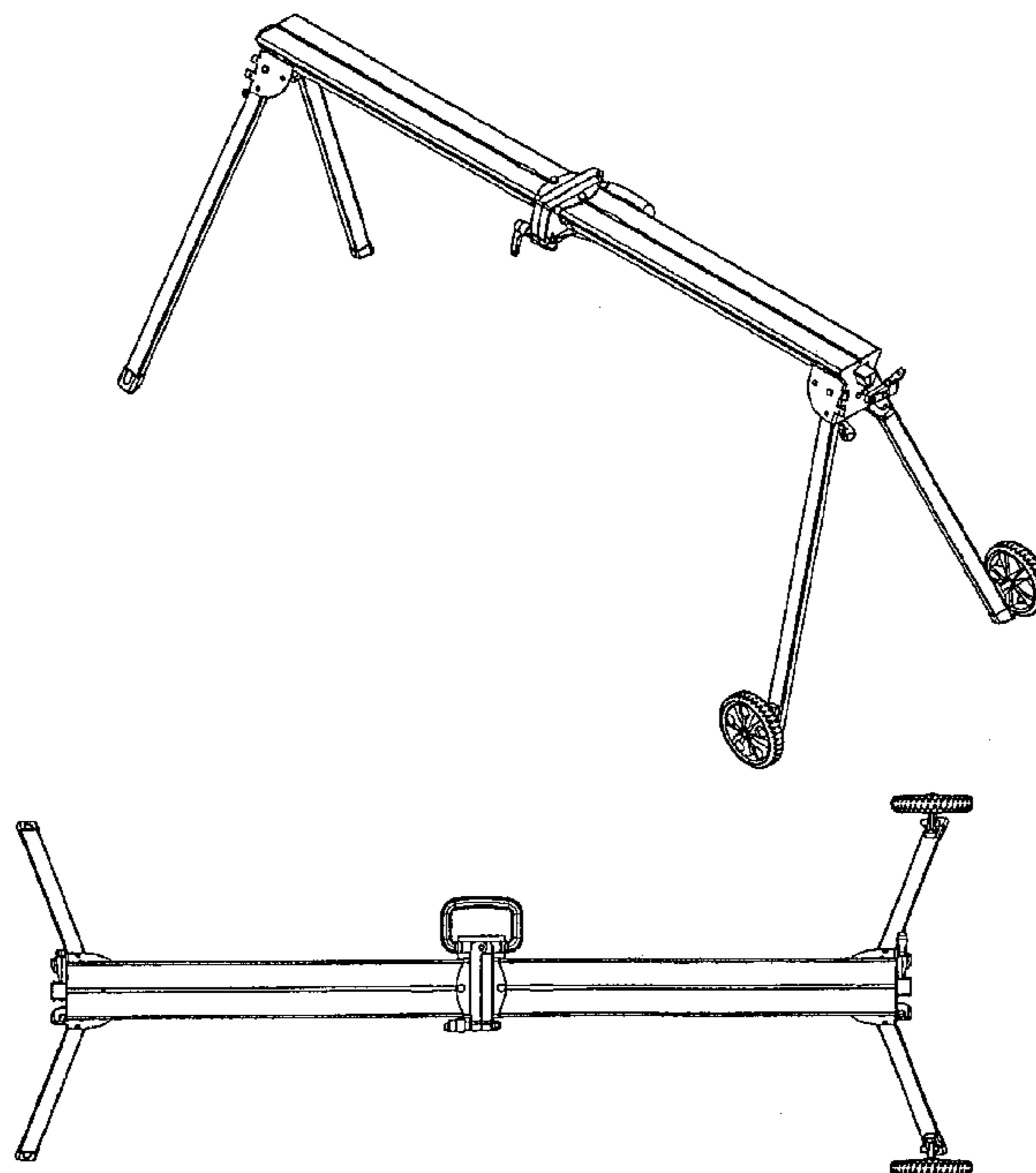


Fig. 1

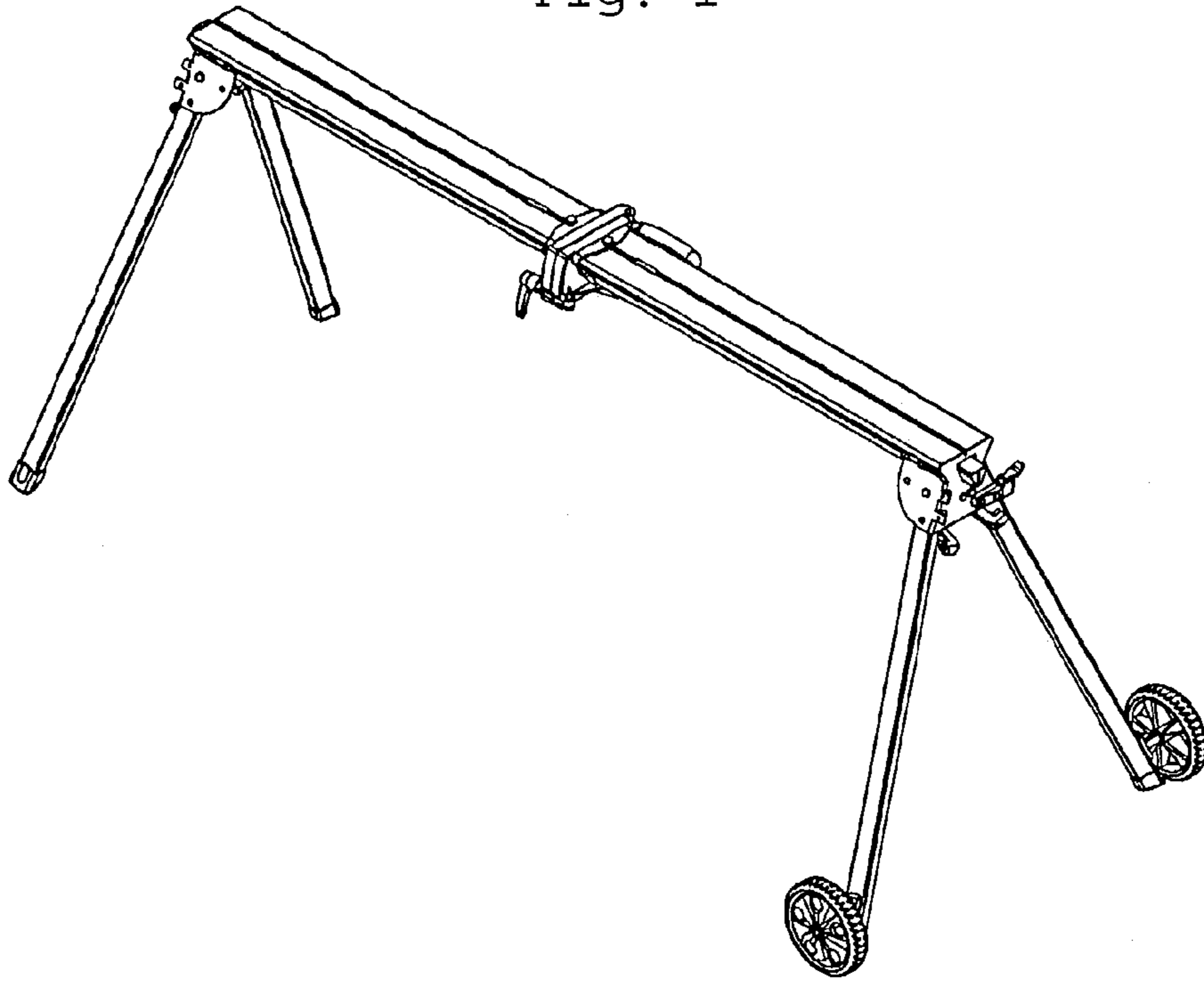


Fig. 2

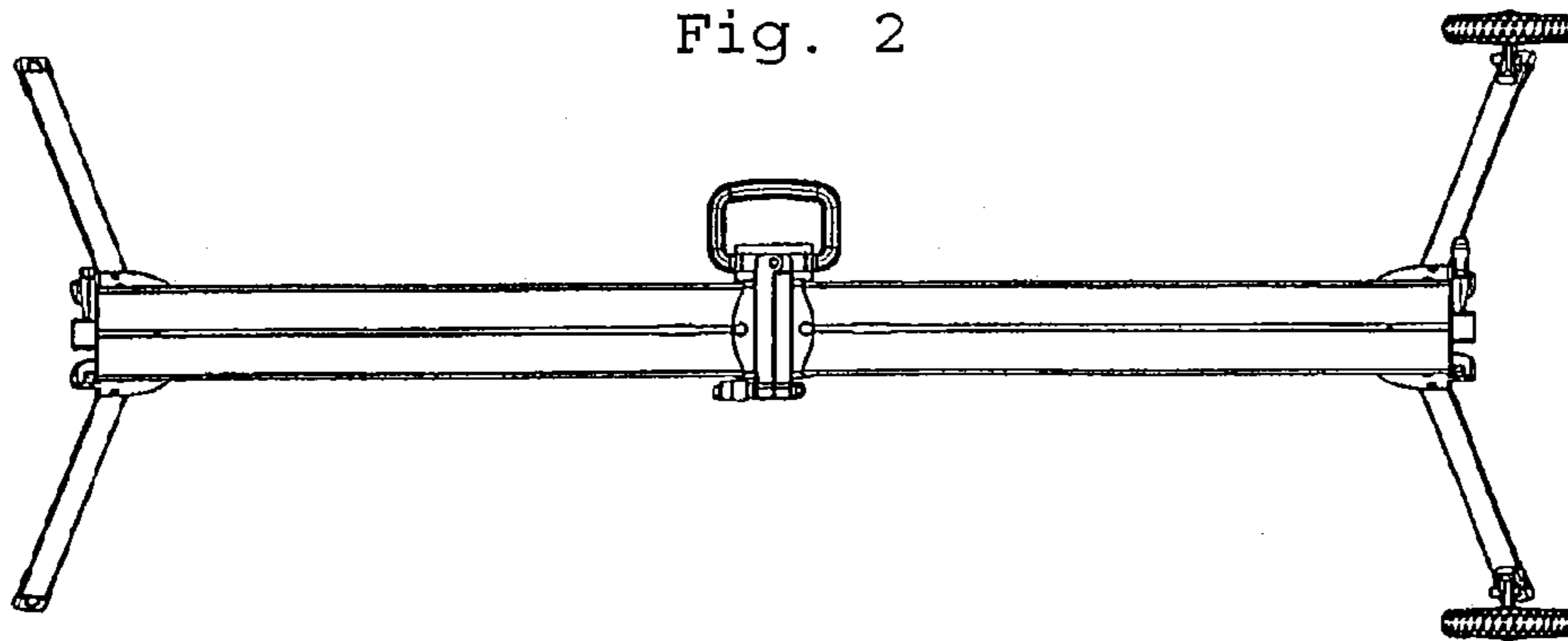


Fig. 3

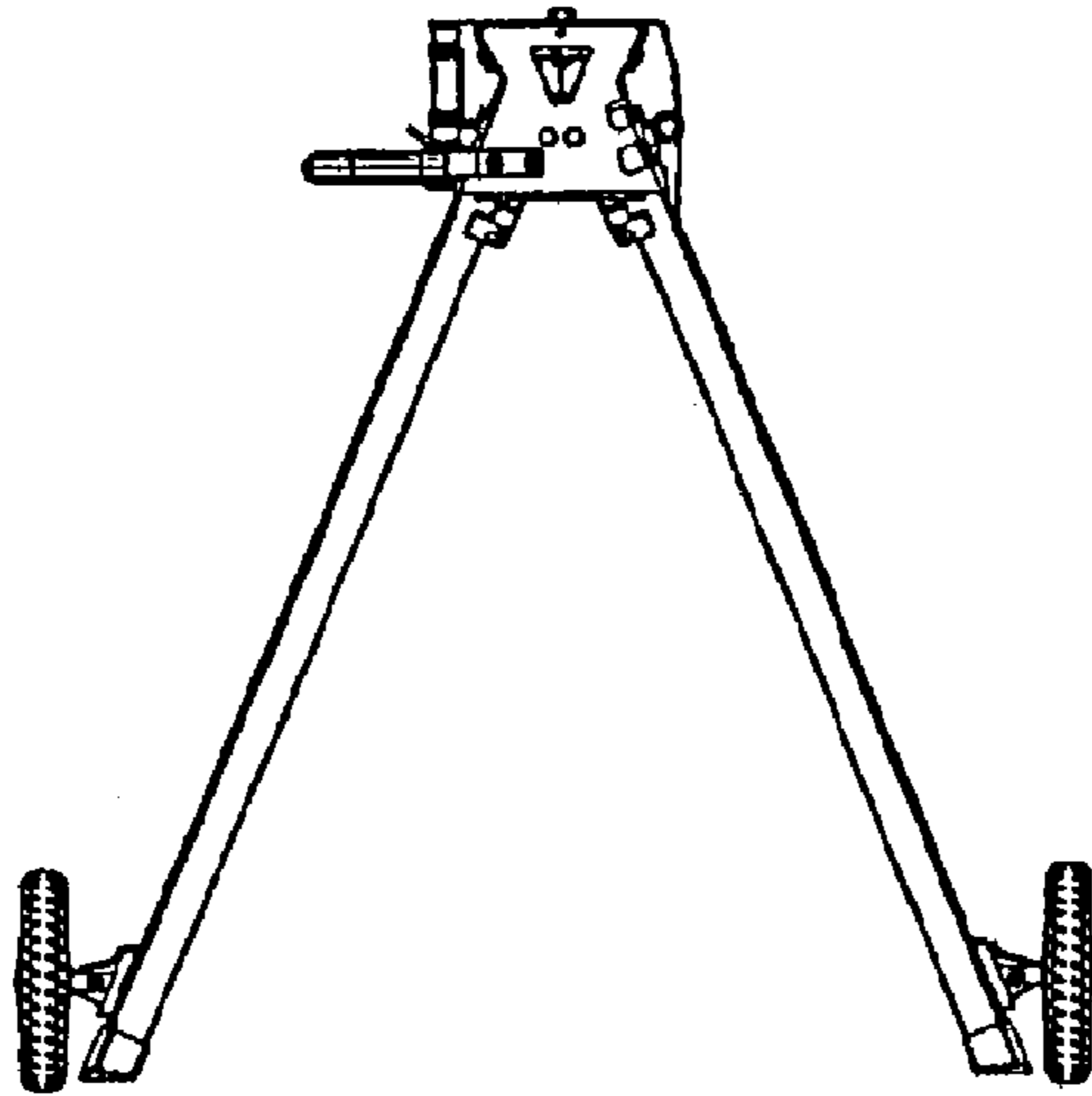


Fig. 4

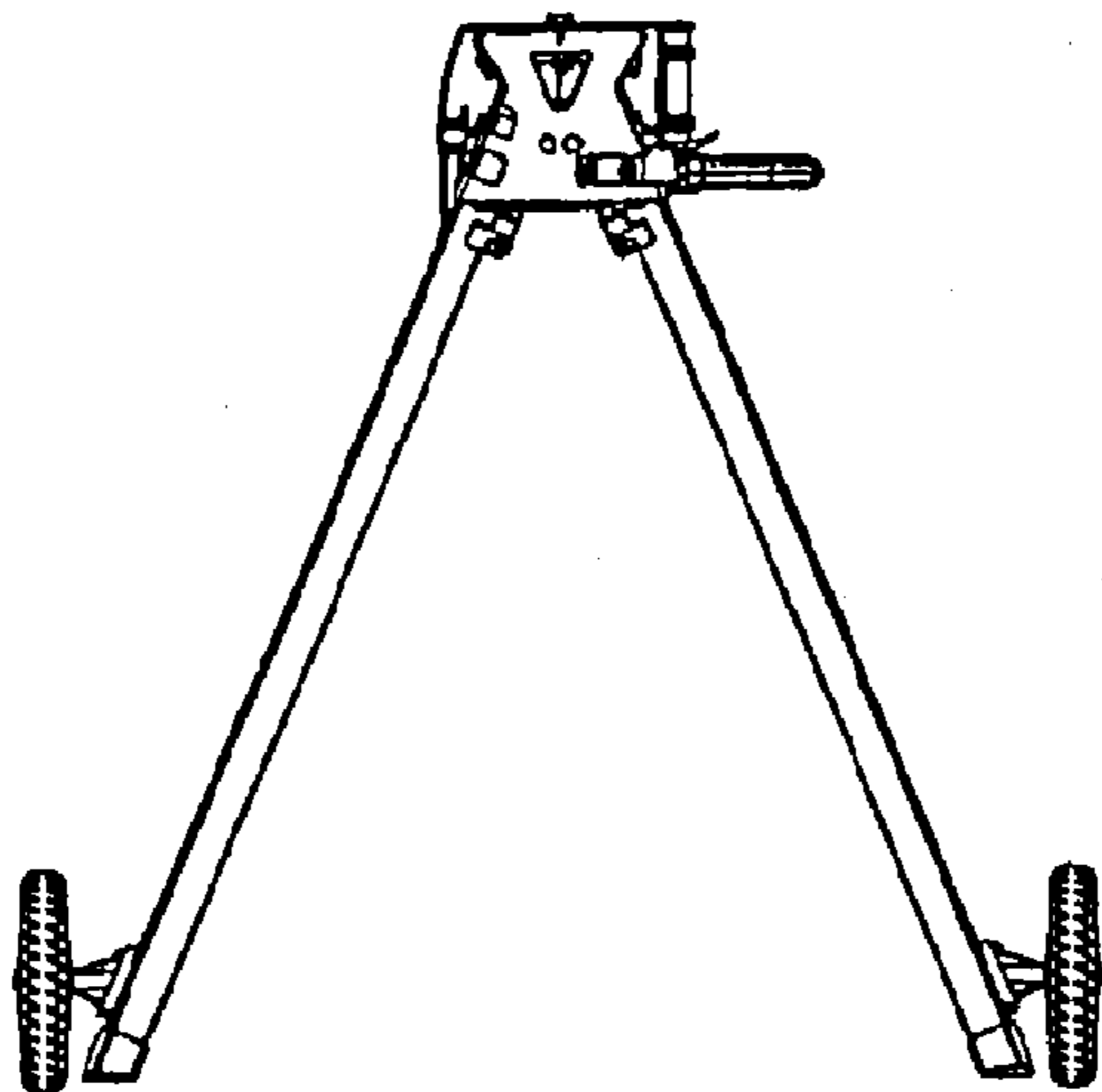


Fig. 5

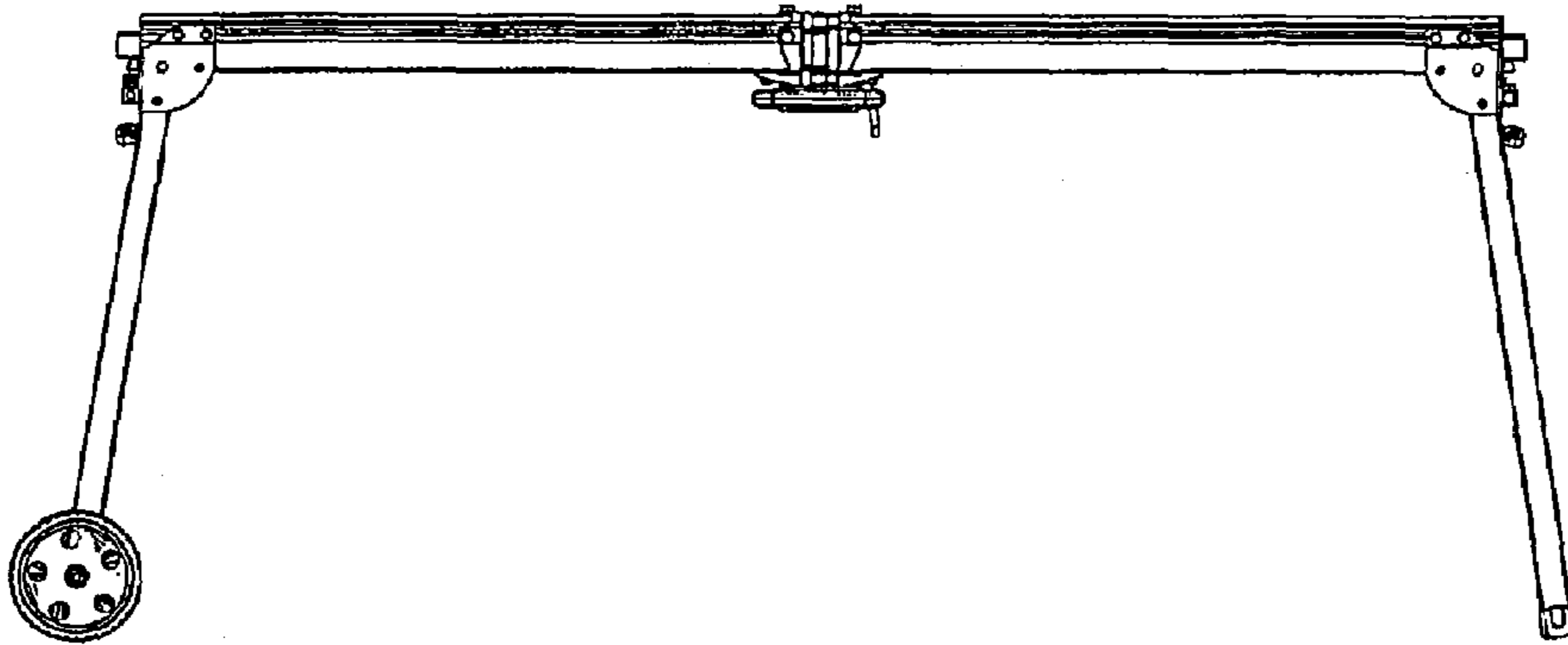


Fig. 6

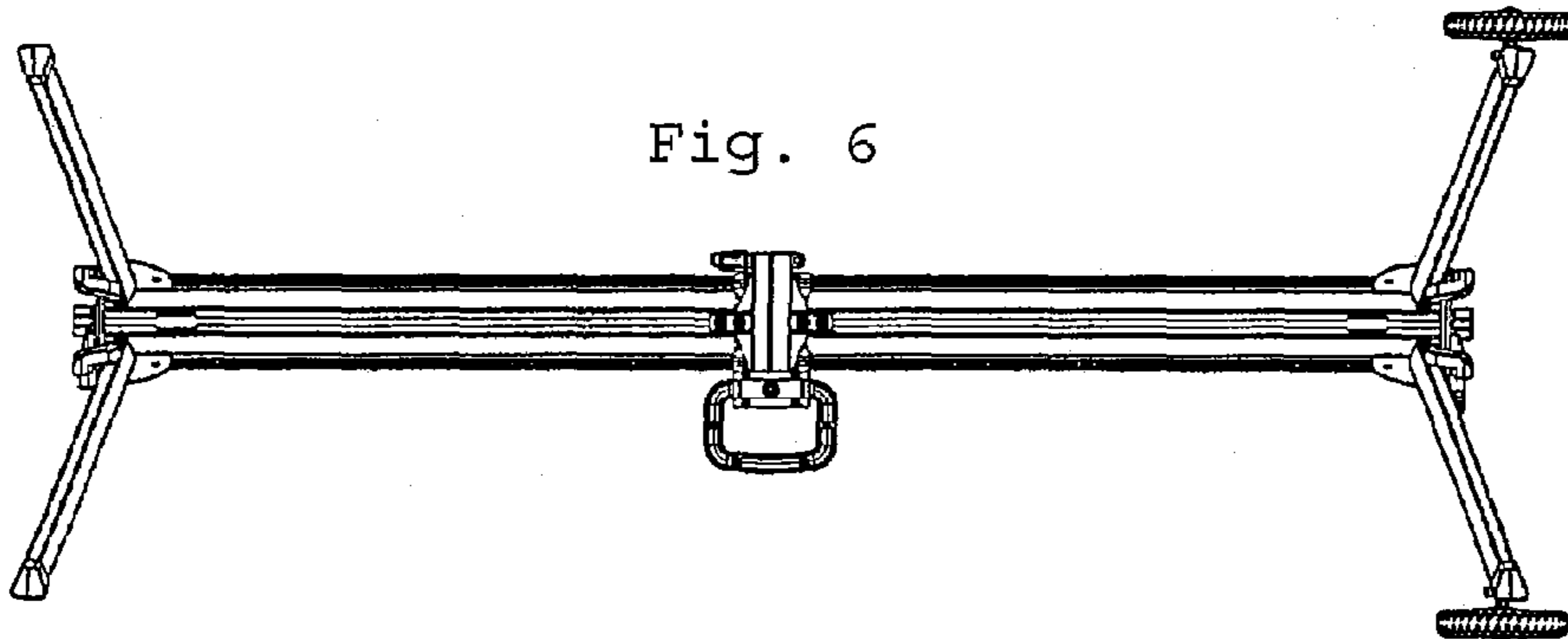


Fig. 7

