

US00D571114S

(12) **United States Design Patent**
Miyakawa

(10) **Patent No.:** **US D571,114 S**
(45) **Date of Patent:** **** Jun. 17, 2008**

(54) **CHAIR**

(76) Inventor: **Takeshi Miyakawa**, 63 N. 3rd. St.,
Brooklyn, NY (US) 11211

(**) Term: **14 Years**

(21) Appl. No.: **29/292,255**

(22) Filed: **Oct. 4, 2007**

(51) **LOC (8) Cl.** **06-01**

(52) **U.S. Cl.** **D6/368**

(58) **Field of Classification Search** D6/334-336,
D6/368, 374, 375, 379, 500-502; 108/162;
248/174; 297/16.1, 440.12, 440.13, 445.1,
297/446.1

See application file for complete search history.

(56) **References Cited**

U.S. PATENT DOCUMENTS

2,940,513	A *	6/1960	Holden	297/440.12
3,149,880	A *	9/1964	Steuer	297/440.12
3,312,503	A *	4/1967	Suzuki	297/440.12
3,695,703	A *	10/1972	Notko	297/440.12
D228,429	S *	9/1973	Hecker	D6/374
D301,410	S *	6/1989	Swilley	D6/374
4,875,737	A *	10/1989	Cardenas	297/440.12
D352,182	S *	11/1994	Yoshimura	D6/368
D362,127	S *	9/1995	Chen	D6/368

D456,162 S * 4/2002 Peters D6/368
D555,925 S * 11/2007 Mercs D6/368

* cited by examiner

Primary Examiner—Mimosa De
(74) *Attorney, Agent, or Firm*—Day Pitney, LLP

(57) **CLAIM**

The ornamental design for a chair, as shown and described.

DESCRIPTION

FIG. 1 is a perspective view of the left side of the chair according to my new design;

FIG. 2 is a perspective view of the left side thereof taken from a vantage point different from that of FIG. 1;

FIG. 3 is a perspective view of the right side thereof;

FIG. 4 is a perspective view of the right side thereof taken from a vantage point different from that of FIG. 3;

FIG. 5 is an elevational view of the right side thereof;

FIG. 6 is an elevational view of the left side thereof;

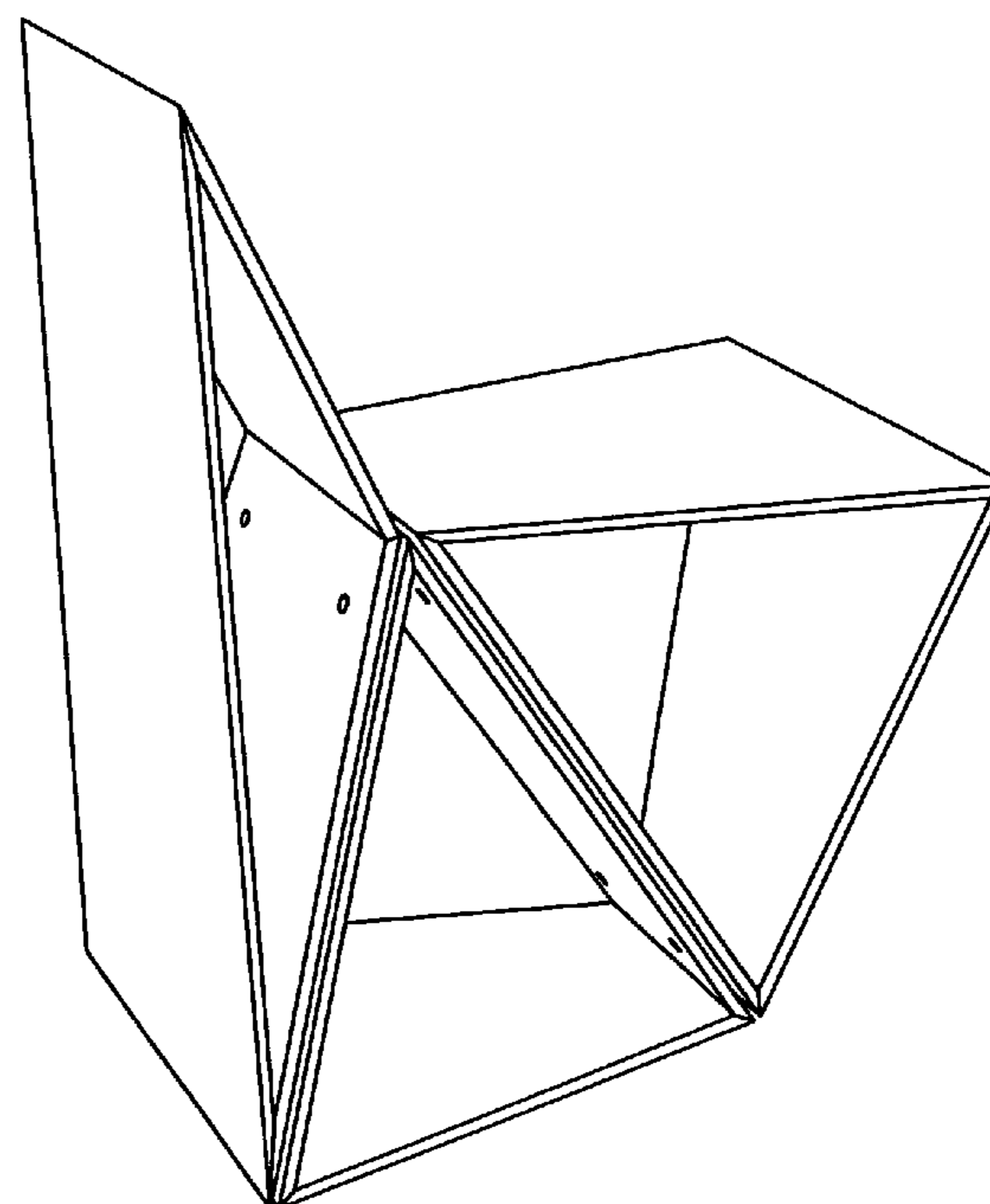
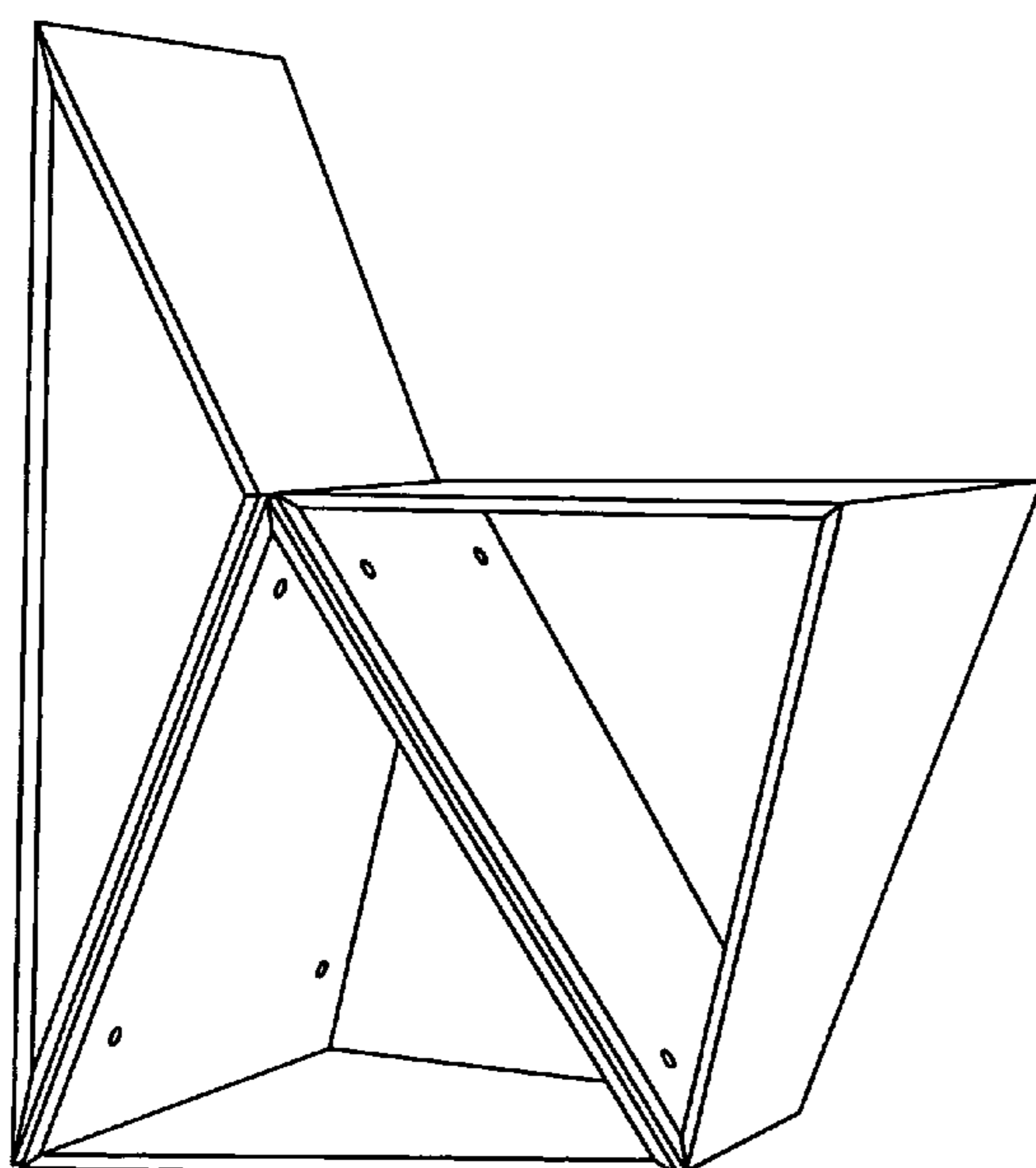
FIG. 7 is an elevational view of the front thereof;

FIG. 8 is an elevational view of the rear thereof;

FIG. 9 is a plan view thereof taken from above; and,

FIG. 10 is a plan view of the chair taken from below.

1 Claim, 5 Drawing Sheets



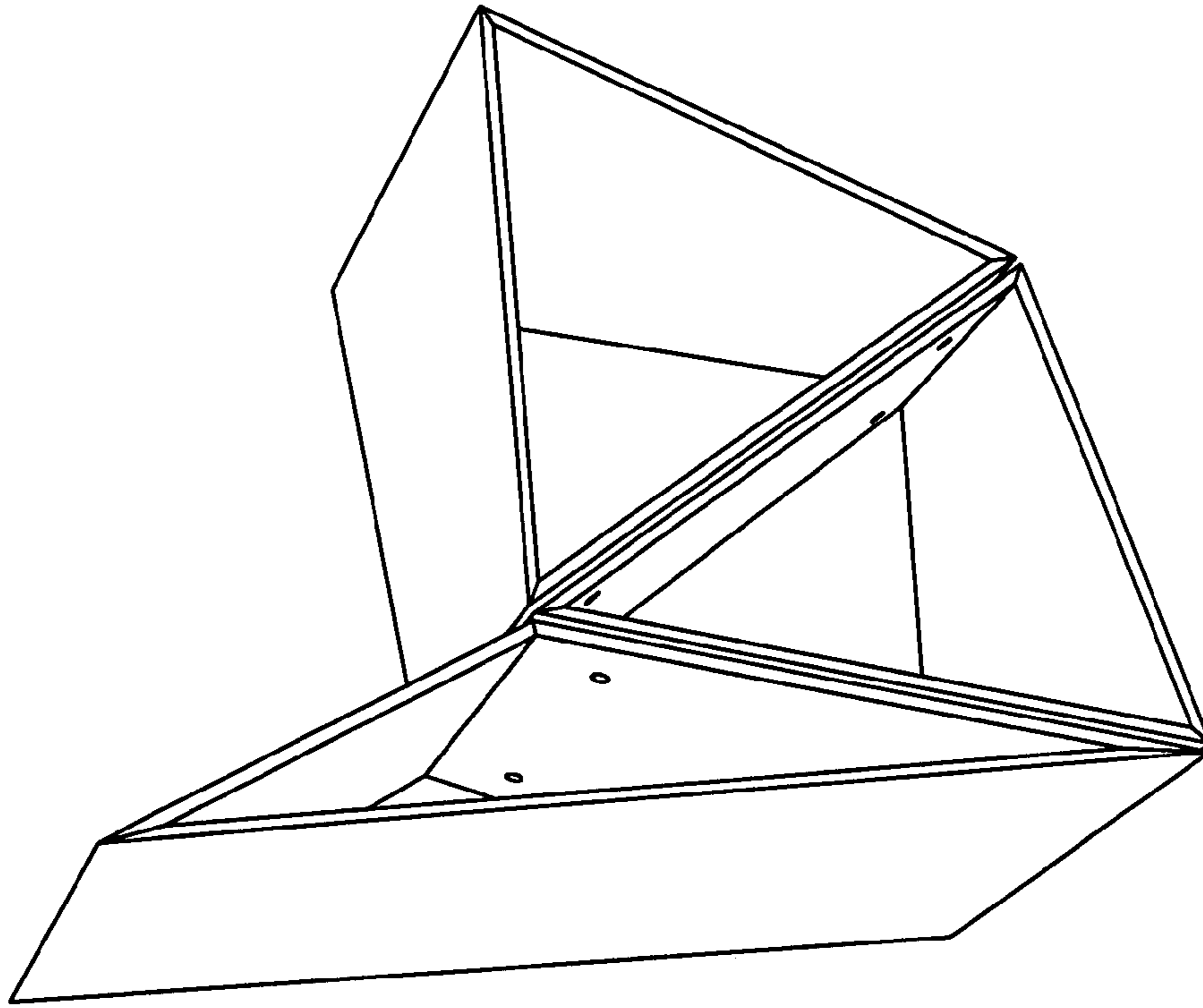


Fig. 2

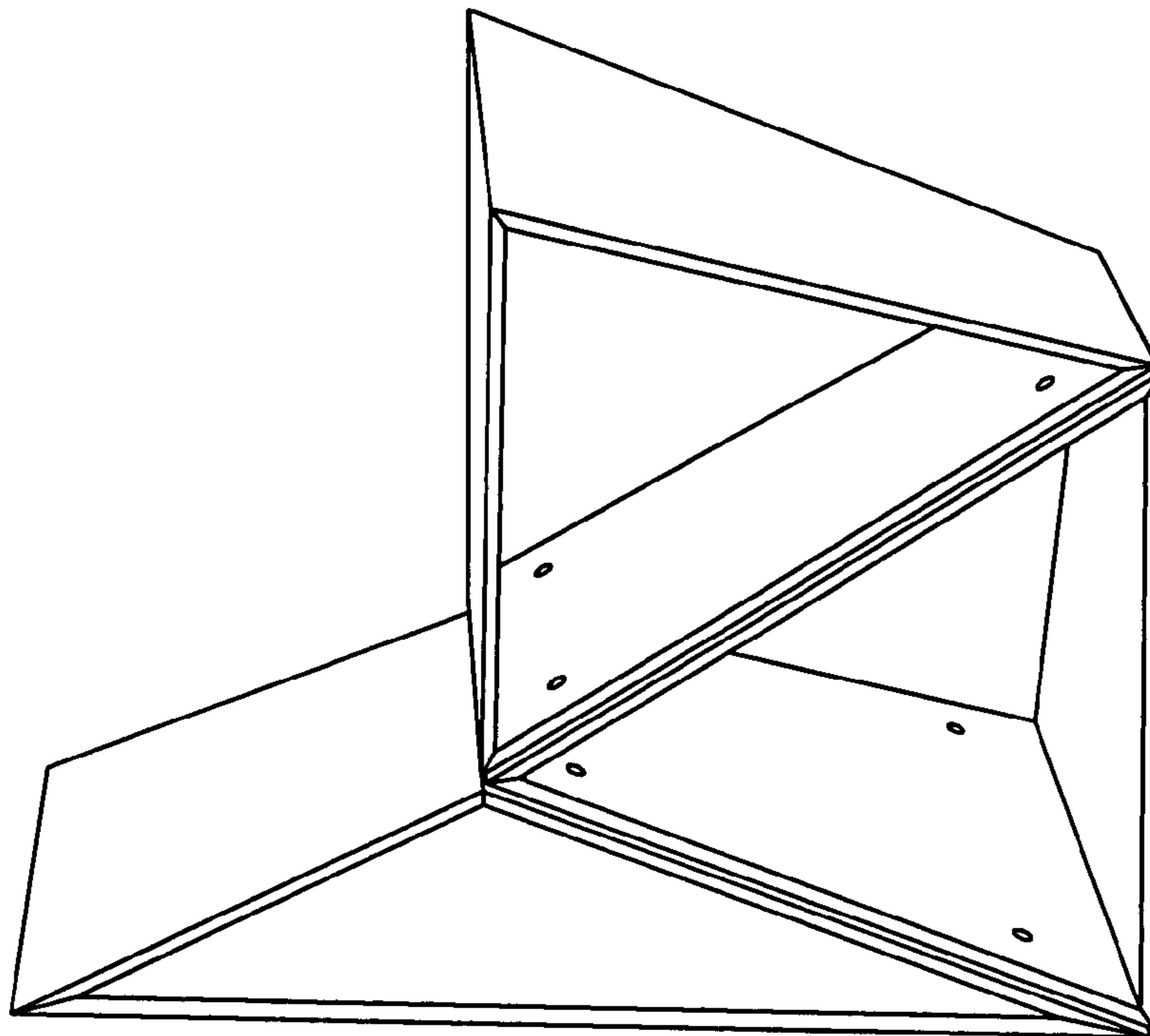


Fig. 1

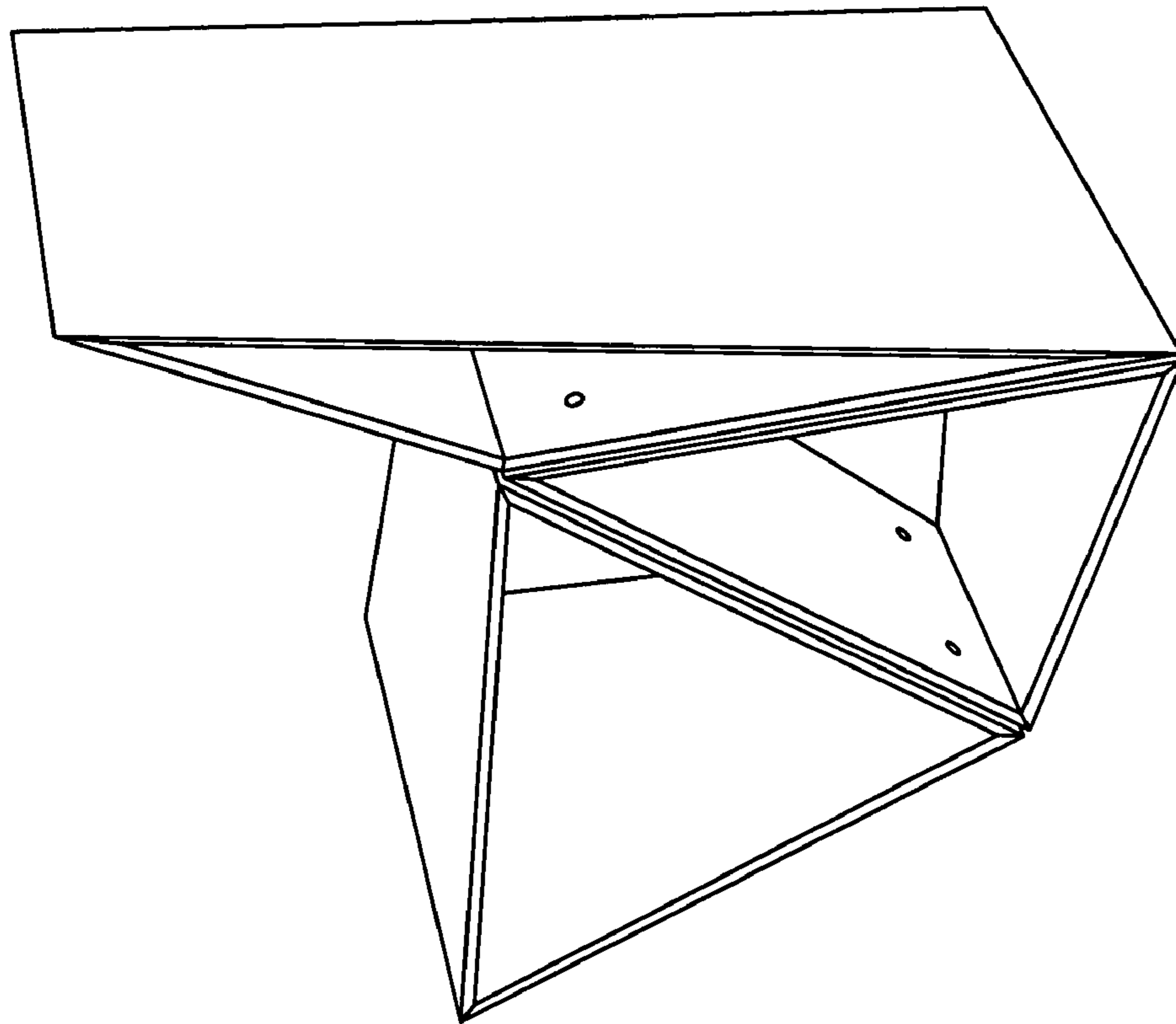


Fig. 3

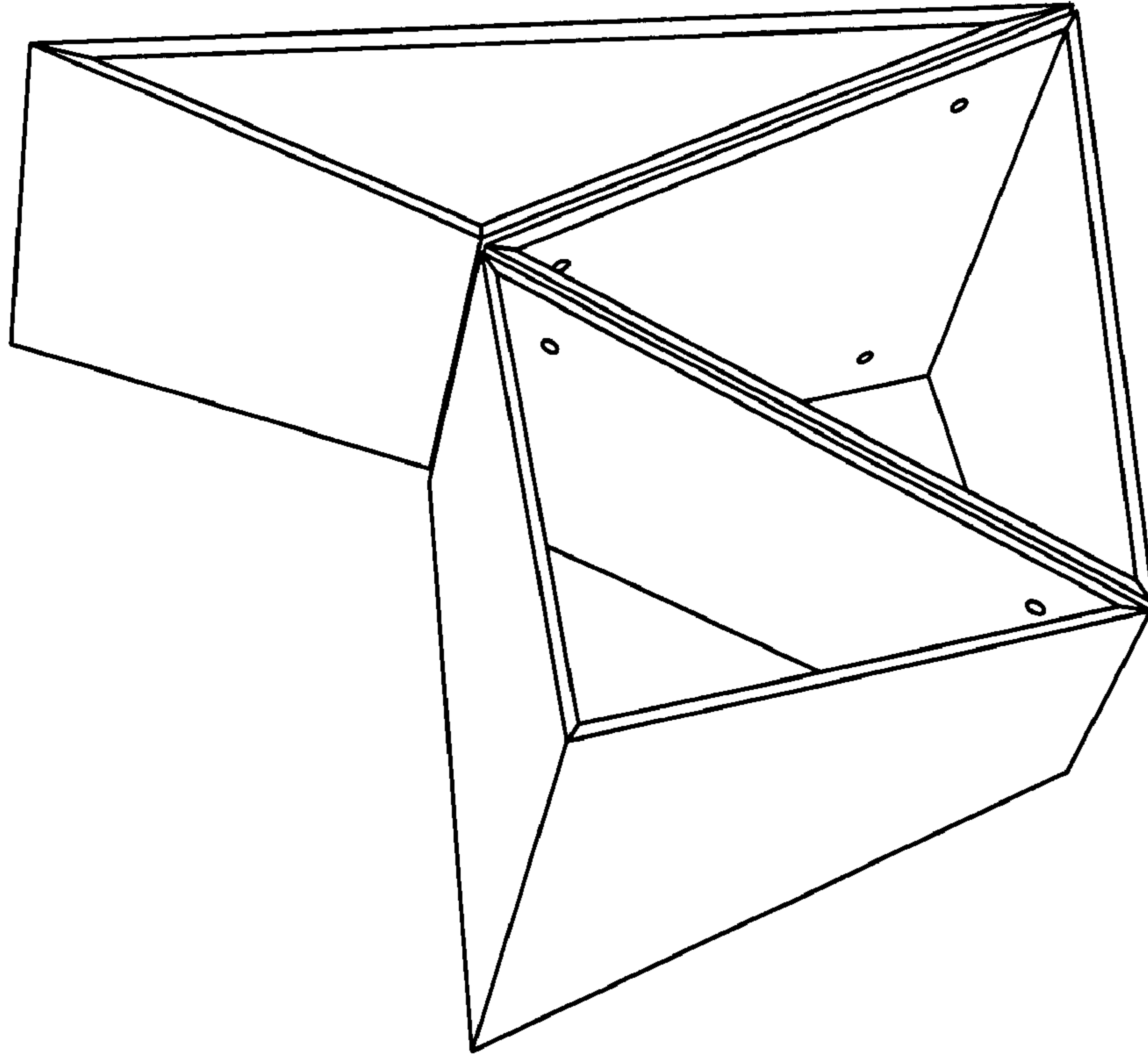


Fig. 4

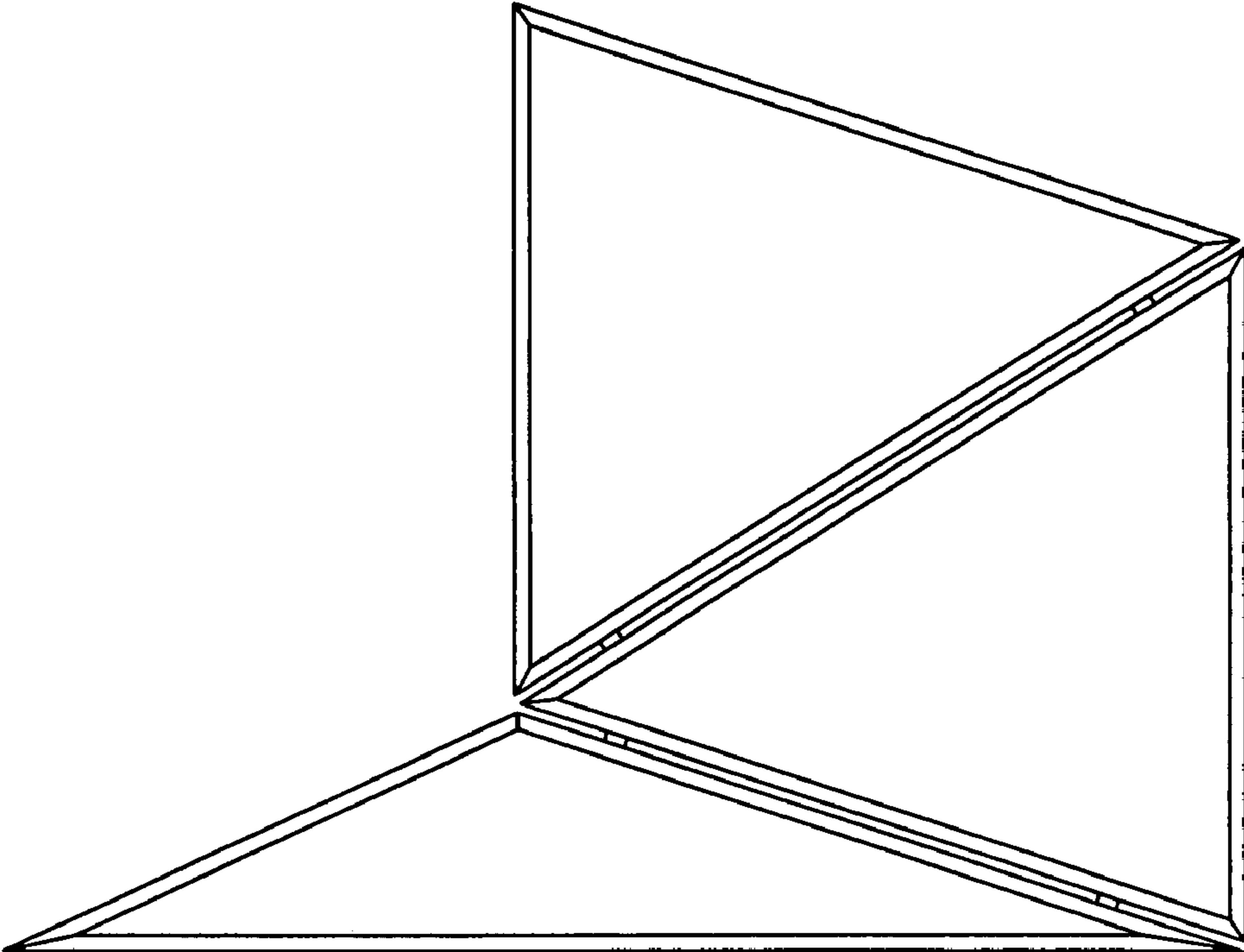


Fig. 6

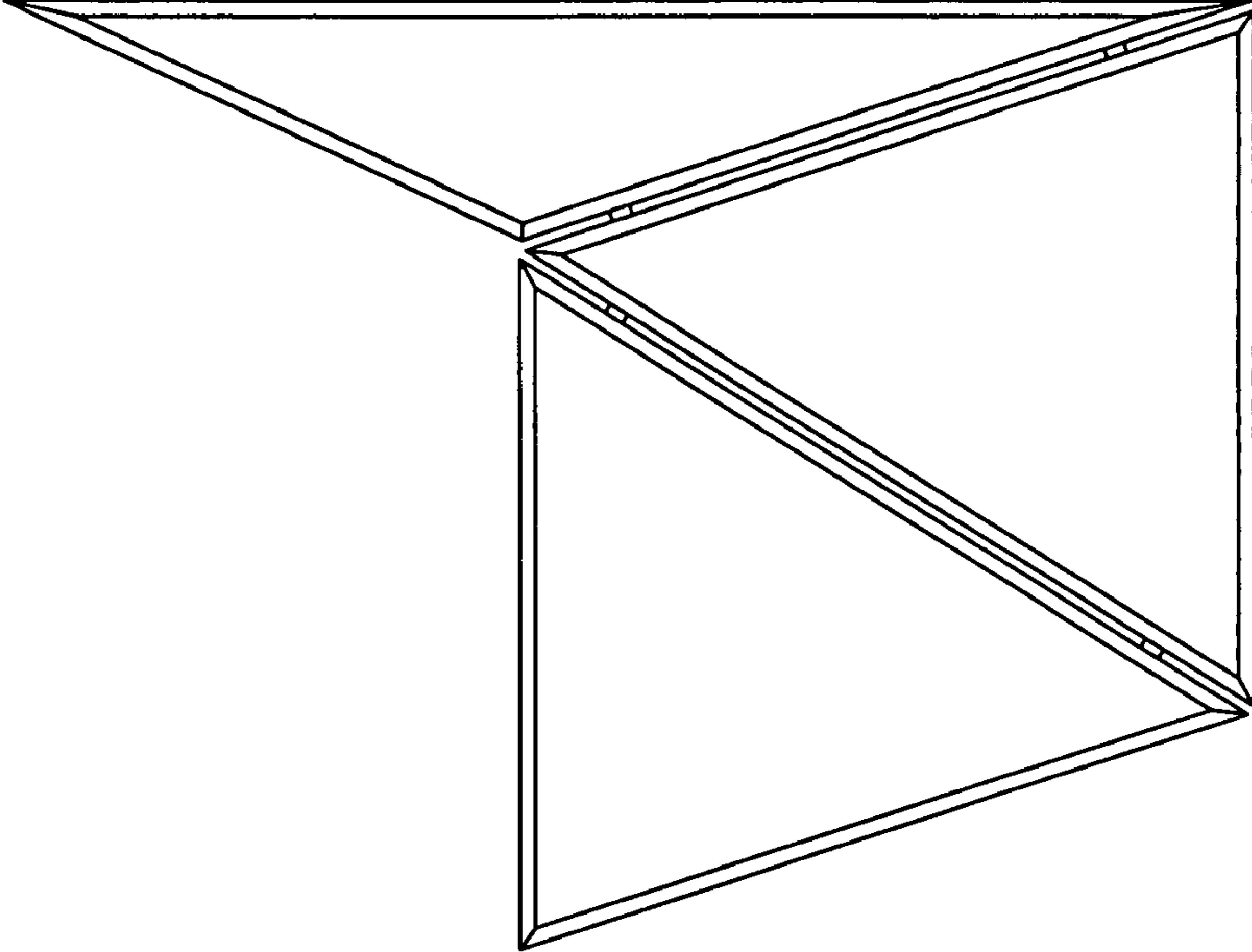


Fig. 5

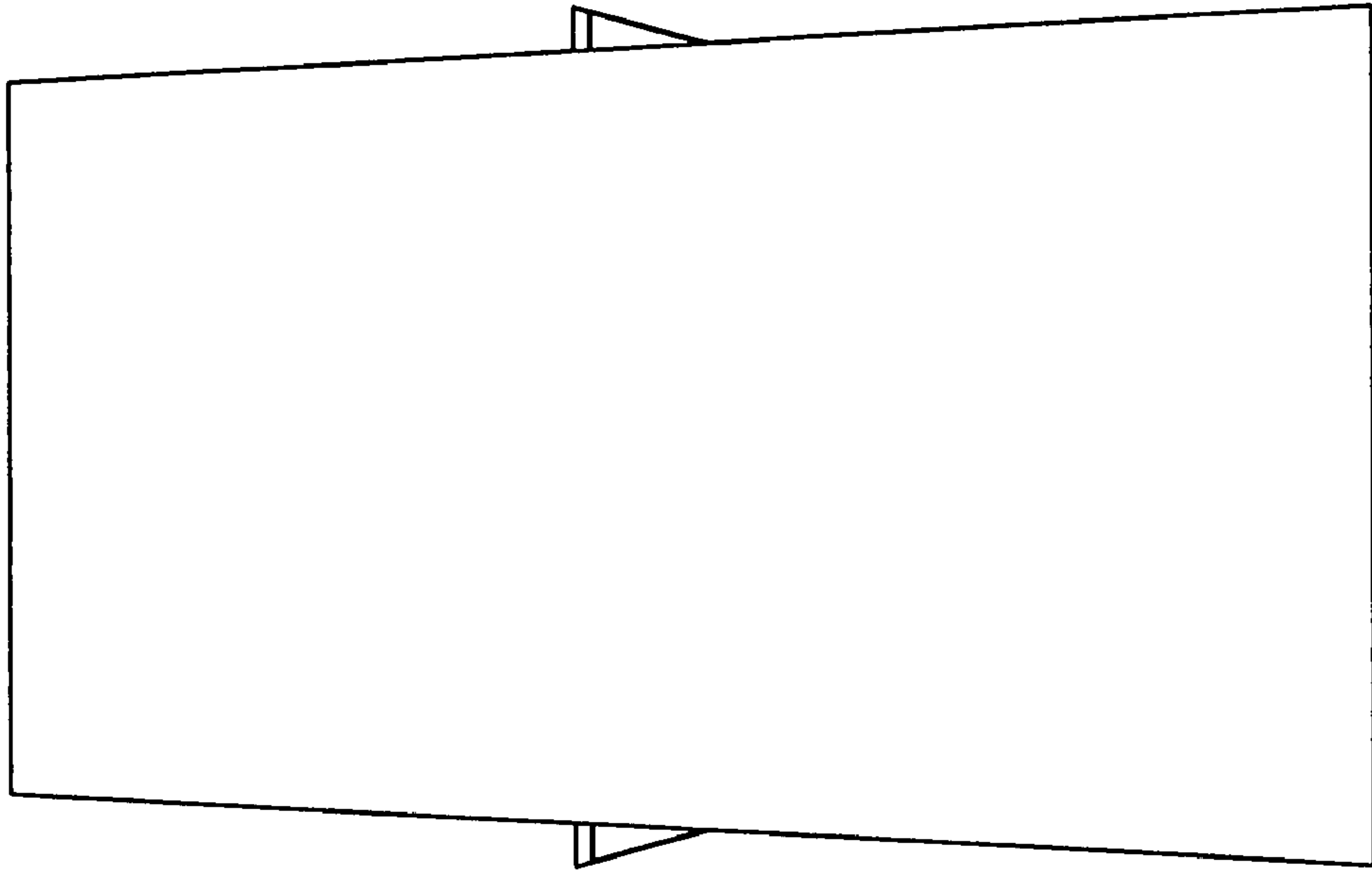


Fig. 8

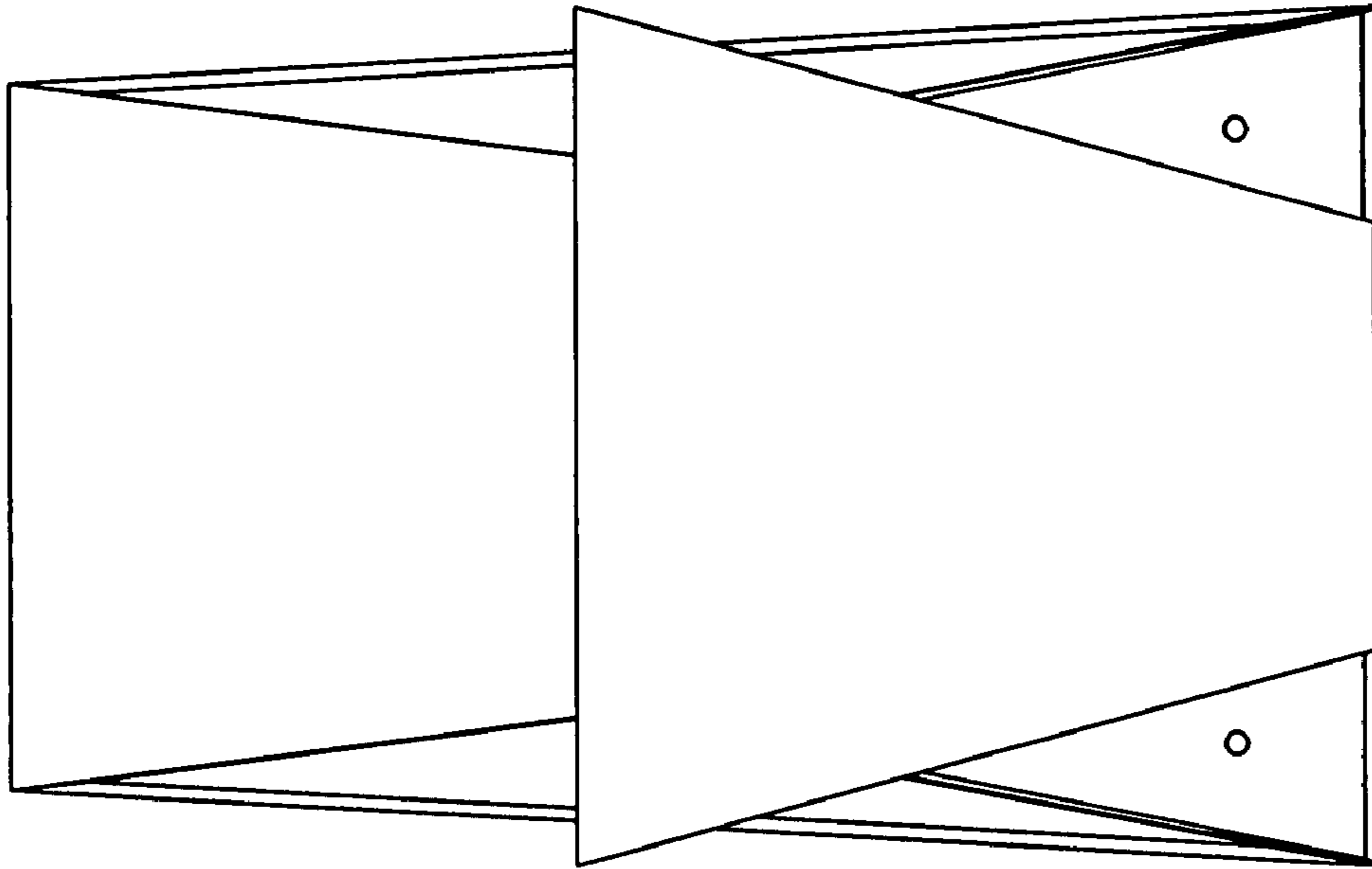


Fig. 7

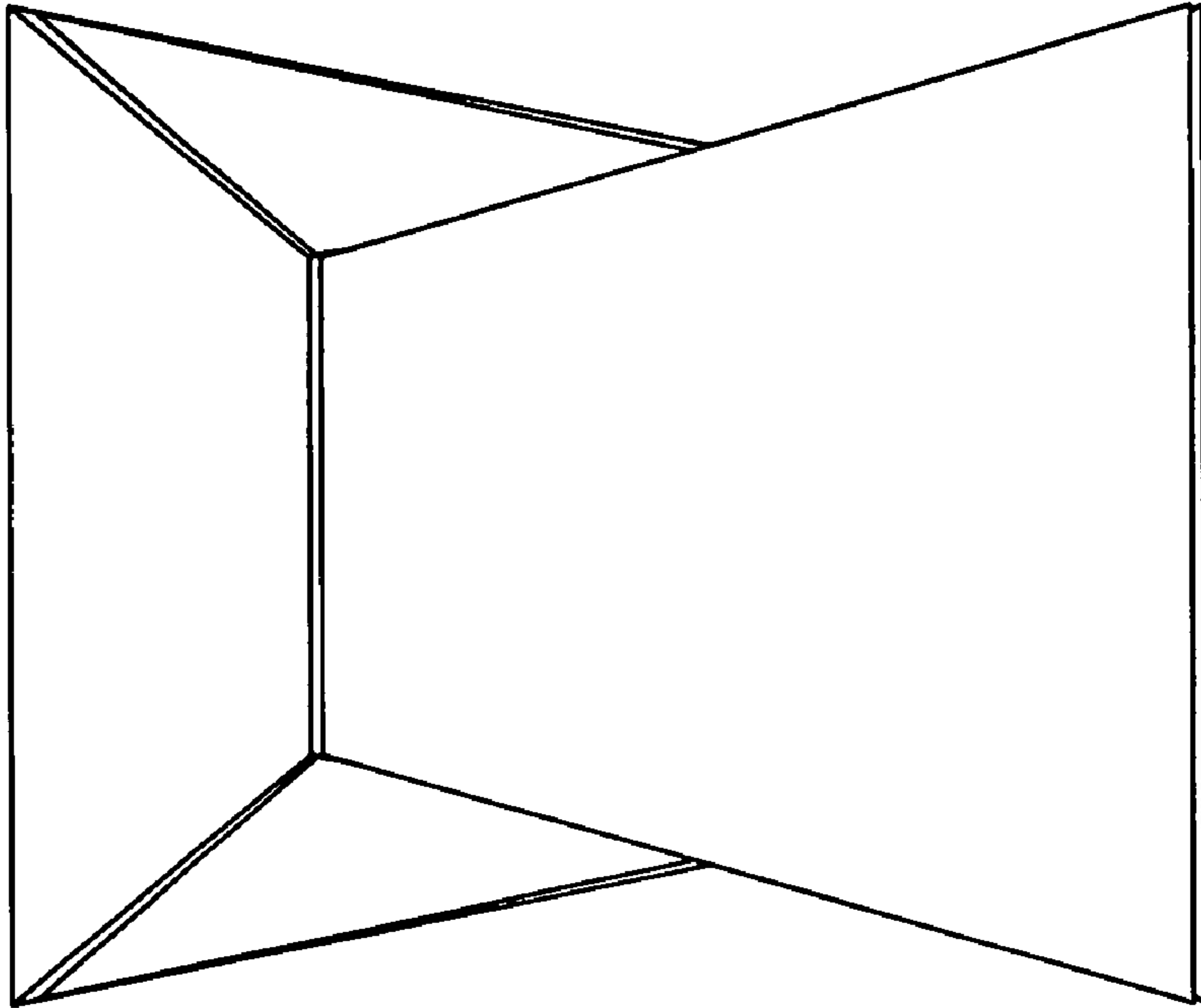


Fig. 10

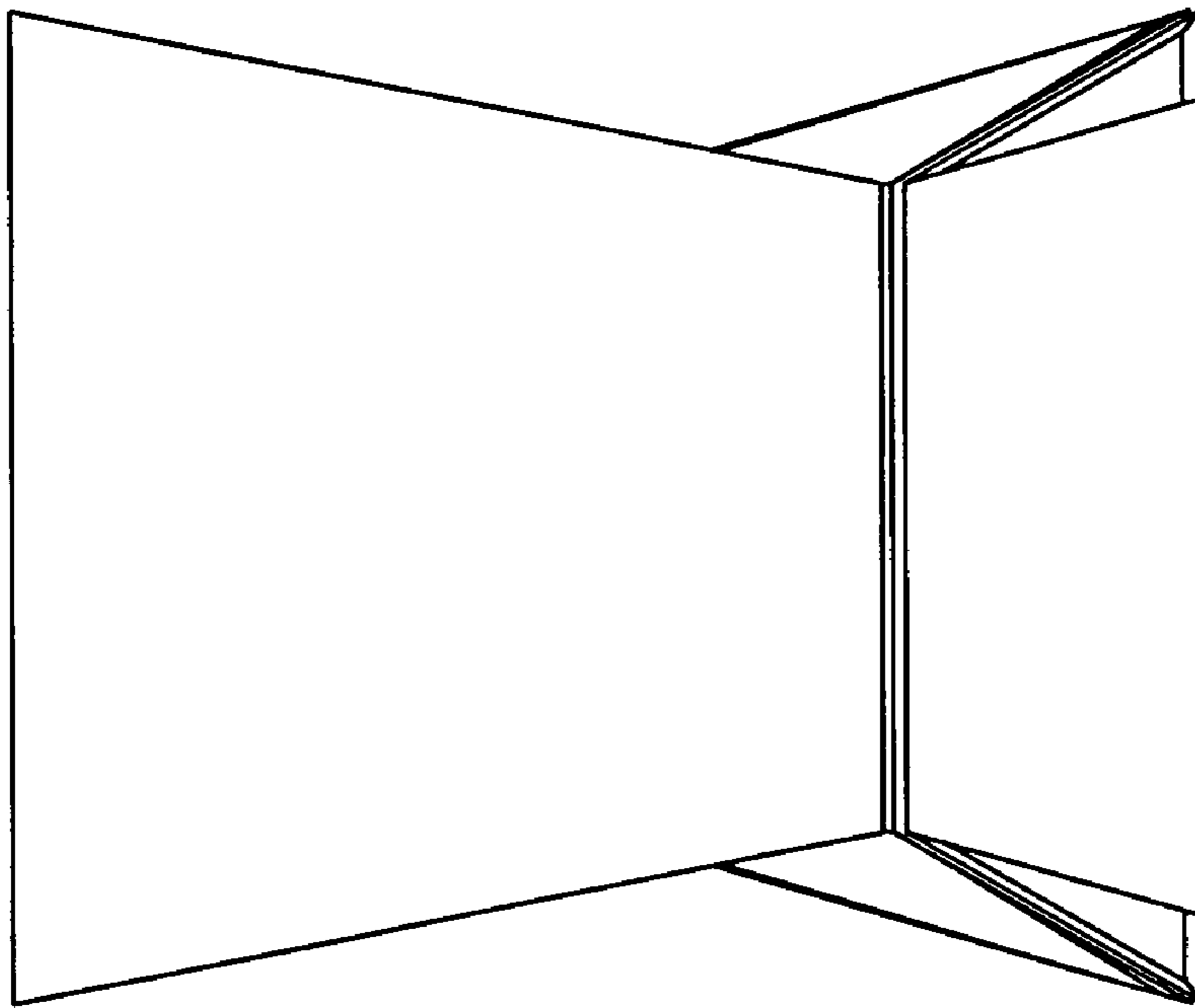


Fig. 9