



US00D571112S

(12) **United States Design Patent**  
**Henderson**

(10) **Patent No.:** **US D571,112 S**  
(45) **Date of Patent:** **\*\* Jun. 17, 2008**

(54) **FOLDING CHAIR**

(75) Inventor: **Stewart Henderson**, Scarsdale, NY  
(US)

(73) Assignee: **Victoria's Secret Stores Brand Management, Inc.**, Reynoldsburg, OH  
(US)

(\*\*) Term: **14 Years**

(21) Appl. No.: **29/286,182**

(22) Filed: **Apr. 25, 2007**

(51) **LOC (8) Cl.** ..... **06-01**

(52) **U.S. Cl.** ..... **D6/362; D6/368; D6/370**

(58) **Field of Classification Search** ..... D6/334-336,  
D6/362, 367, 368, 370, 374, 376, 379, 380,  
D6/500-502; 297/4, 16.1, 183.5, 250.1,  
297/252, 350, 352, 353, 378.1, 452.63

See application file for complete search history.

(56) **References Cited**

**U.S. PATENT DOCUMENTS**

342,779	A	6/1886	Carroll et al.	
672,683	A *	4/1901	Potteiger	297/378.1
970,777	A	9/1910	Ackerman	
2,497,412	A	2/1950	Larin	
2,583,372	A	1/1952	Hall	
2,620,860	A *	12/1952	McEntire	297/378.1
D188,185	S *	6/1960	Henrikson	D6/362
3,025,107	A *	3/1962	Marshall	297/252
3,093,414	A	6/1963	Eames et al.	
3,560,047	A *	2/1971	Davis	297/252
D225,494	S	12/1972	Ahrens	
D290,797	S *	7/1987	Hartt	D6/502
D411,065	S	6/1999	Davis	

D425,716	S *	5/2000	Jensen	D6/368
D426,967	S *	6/2000	King	D6/368
6,089,651	A	7/2000	Carmen	
D449,458	S *	10/2001	Malmanger et al.	D6/368
D464,818	S	10/2002	Adman et al.	
D468,548	S *	1/2003	Head, Jr.	D6/368
D473,390	S *	4/2003	Hannon et al.	D6/368
D495,511	S *	9/2004	Dingess et al.	D6/368
6,807,690	B1	10/2004	Satterfield	
6,896,322	B1	5/2005	Foy	
D509,372	S *	9/2005	King	D6/368

\* cited by examiner

*Primary Examiner*—Mimosa De

(74) *Attorney, Agent, or Firm*—Ward & Olivo

(57) **CLAIM**

The ornamental design for a folding chair, as shown and described.

**DESCRIPTION**

FIG. 1 is a perspective view of a folding chair in accordance with the present invention as shown in the present design;

FIG. 2 is a front view thereof;

FIG. 3 is a side view thereof, which is a mirror image of the opposite side thereof;

FIG. 4 is a top view thereof;

FIG. 5 is a bottom view thereof; and,

FIG. 6 is a perspective view thereof shown in a folded position.

The broken lines showing of the wall, under seat brackets which are attached to the wall, and circular members on the sides and backrest of the chair in the drawing are for illustrative purposes only and form no part of the claimed design.

**1 Claim, 6 Drawing Sheets**

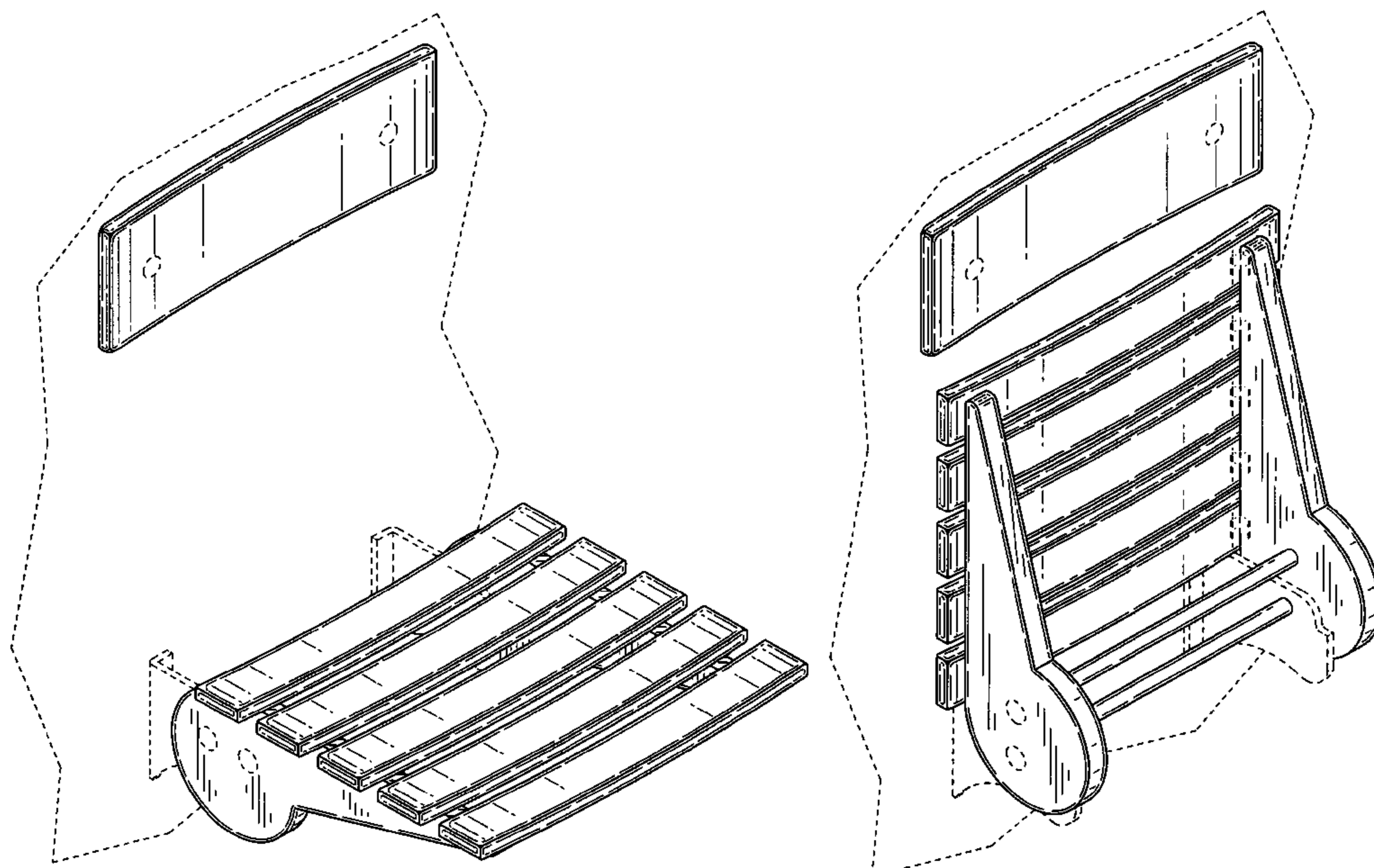


FIG. 1

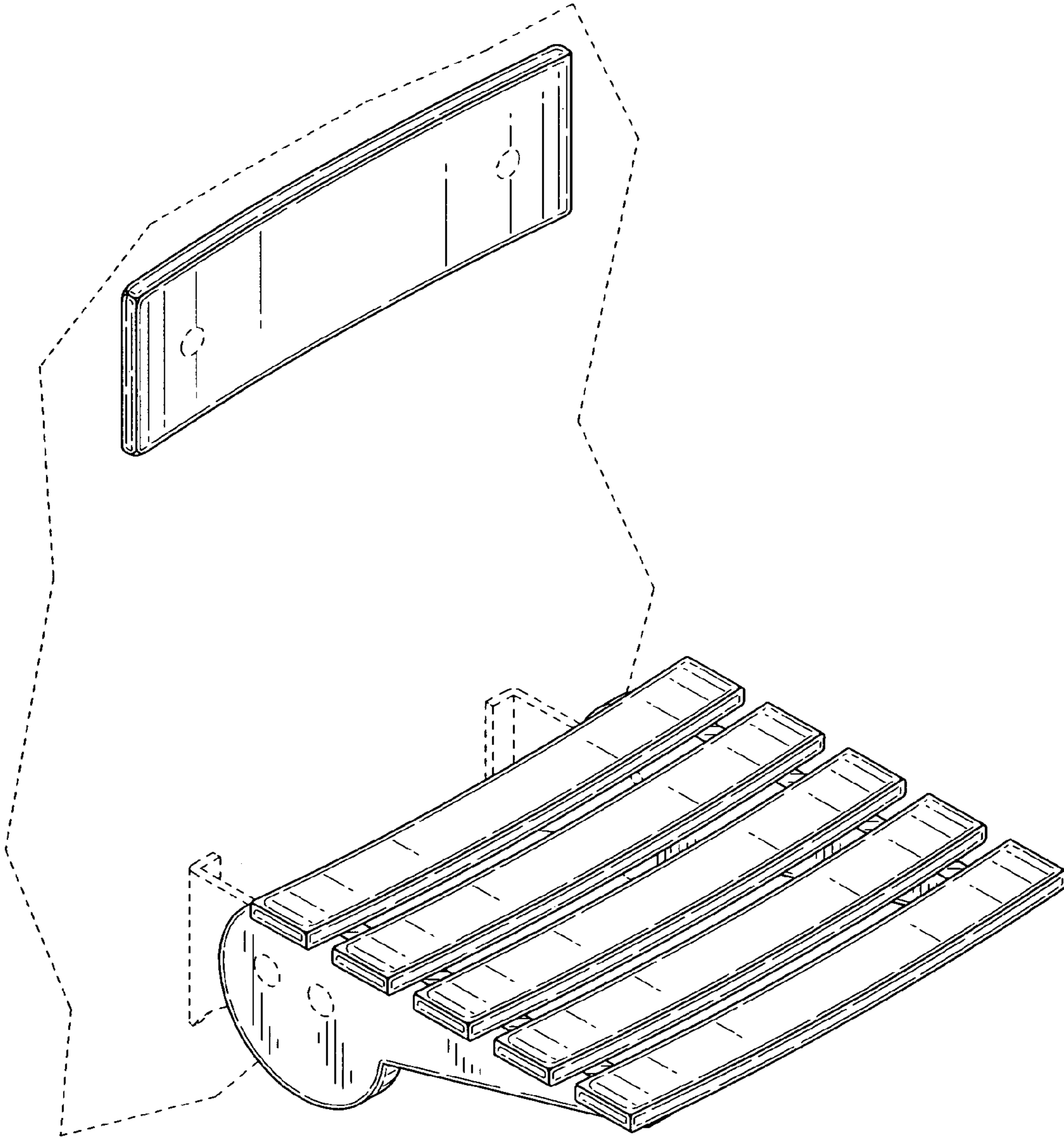
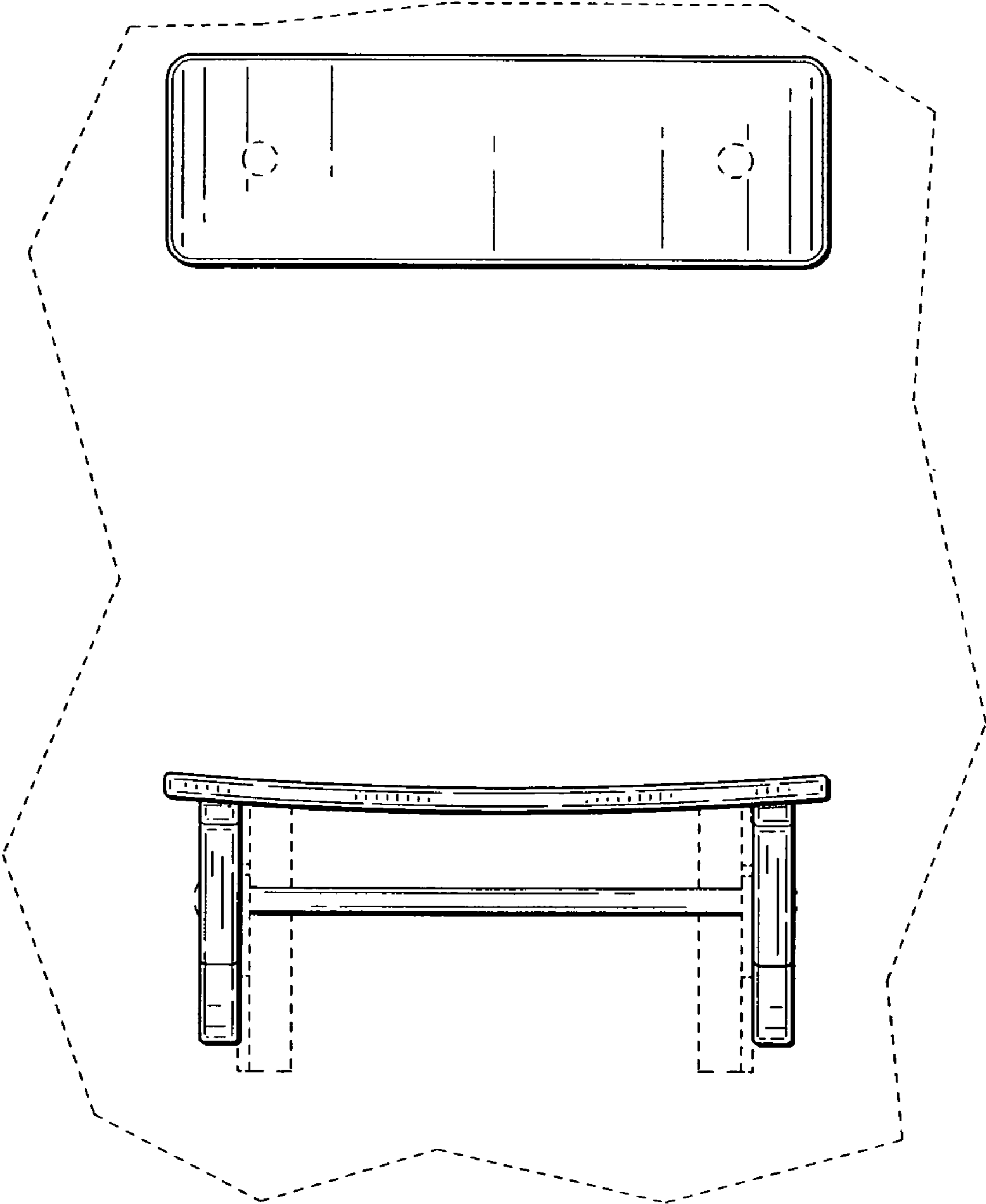


FIG. 2



*FIG. 3*

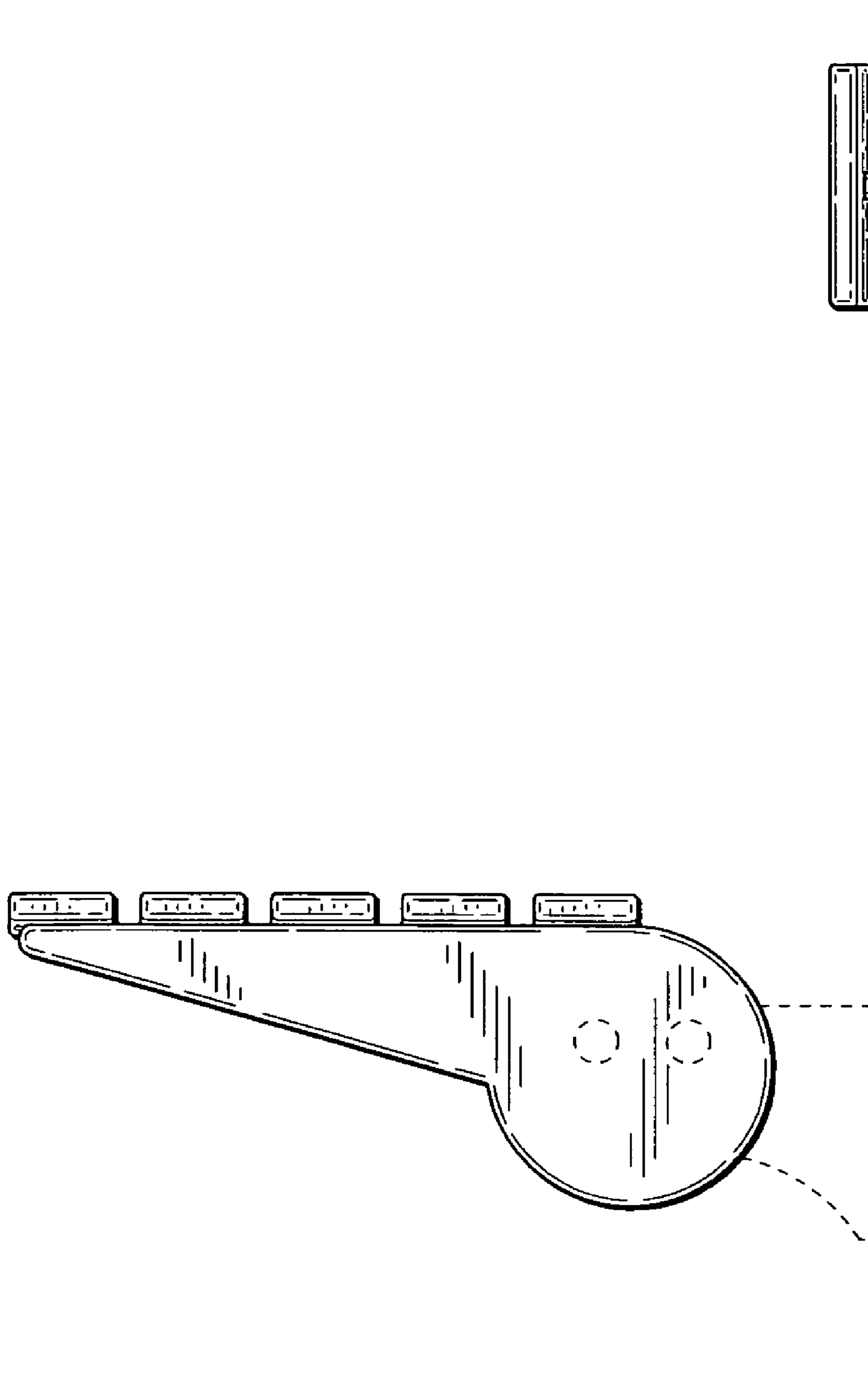


FIG. 4

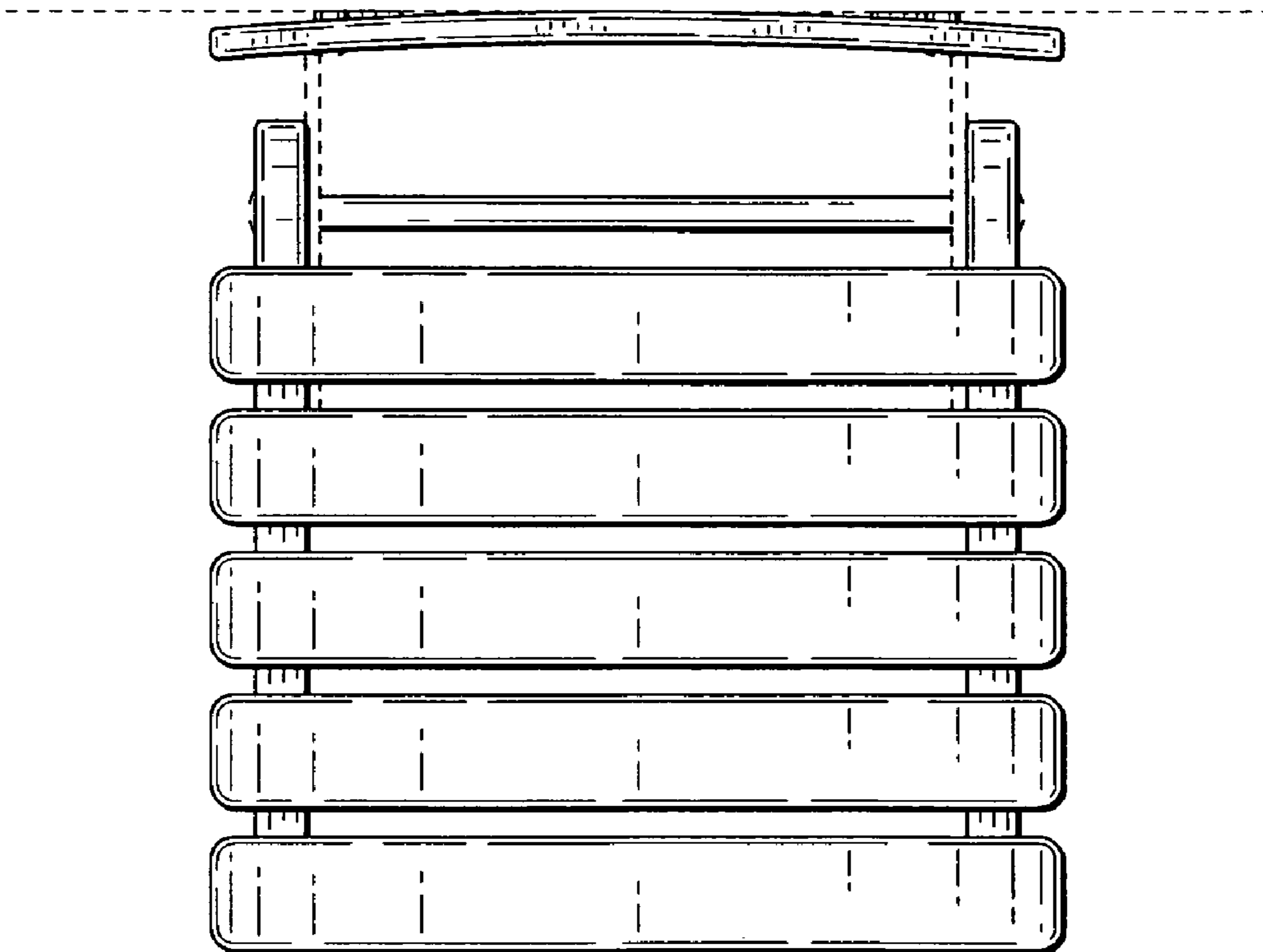


FIG. 5

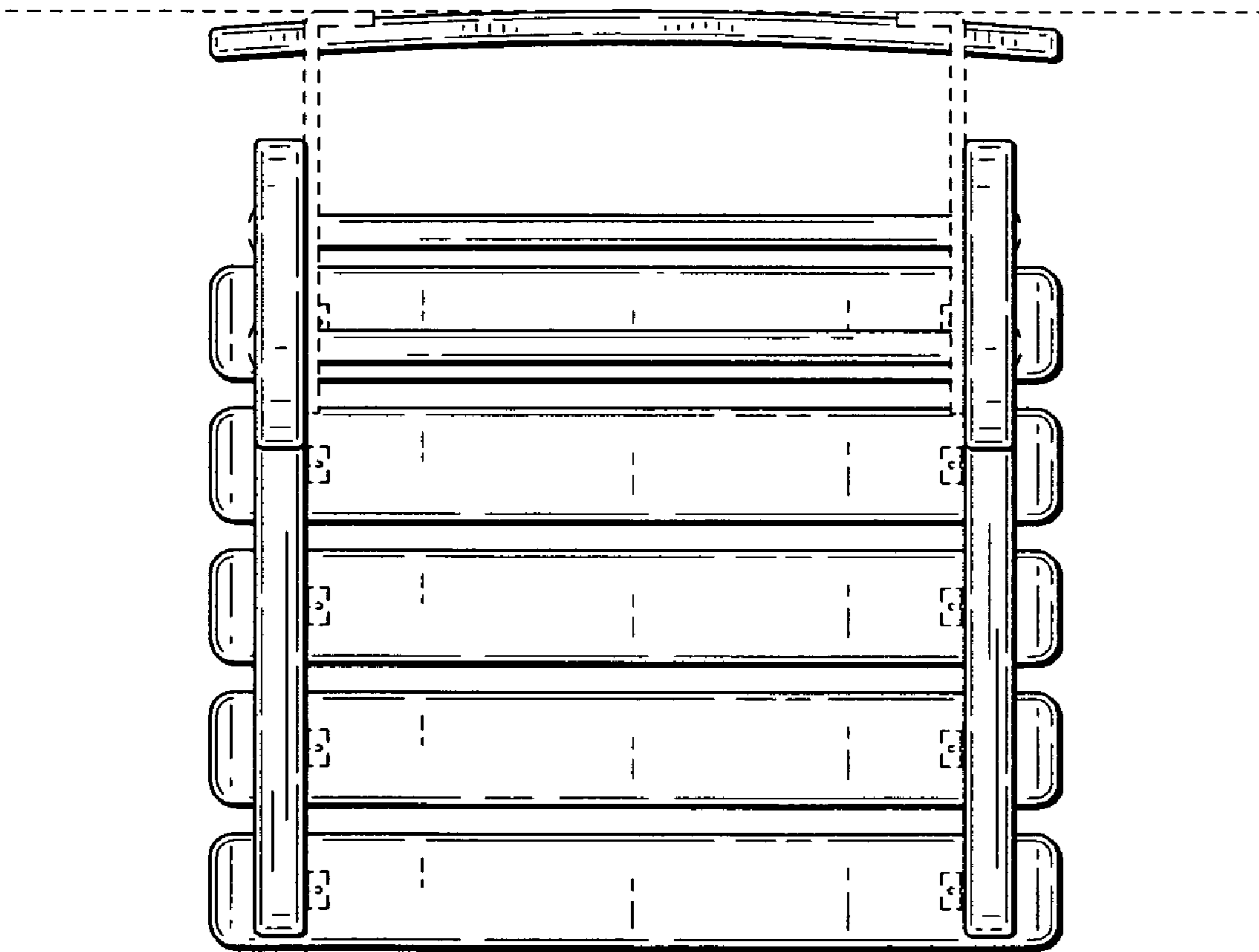


FIG. 6

