

US00D571111S

(12) **United States Design Patent**
Louis-Jean

(10) **Patent No.:** **US D571,111 S**
(45) **Date of Patent:** **** Jun. 17, 2008**

(54) **BEACH CHAIR WITH UMBRELLA AND CUP HOLDERS**

(76) Inventor: **Sylvain Louis-Jean**, 2750 NW. 56th NE., F501, Lauderhill, FL (US) 33313

(**) Term: **14 Years**

(21) Appl. No.: **29/291,686**

(22) Filed: **Sep. 10, 2007**

(51) **LOC (8) Cl.** **06-01**

(52) **U.S. Cl.** **D6/335**

(58) **Field of Classification Search** D6/334-338,
D6/360, 367, 374, 375, 482, 491, 495, 500-502;
297/83, 157.1, 158.3, 170, 184.16, 188.14,
297/244, 423.19; 5/12.1, 12.2
See application file for complete search history.

(56) **References Cited**

U.S. PATENT DOCUMENTS

1,258,045	A *	3/1918	Premysl	297/52
3,050,280	A *	8/1962	Regan	248/514
4,300,798	A *	11/1981	Musgrove et al.	297/184.15
4,871,141	A *	10/1989	Chen	248/534
5,110,184	A *	5/1992	Stein et al.	297/344.26
5,350,215	A *	9/1994	DeMars	297/188.14
5,582,458	A *	12/1996	Wildt	297/184.15
5,641,197	A *	6/1997	Springmann	297/188.11
6,471,289	B2 *	10/2002	Aguilar	297/184.16
D486,310	S *	2/2004	Goldy	D6/335

D490,251	S *	5/2004	Lin	D6/336
D516,296	S *	3/2006	Napieraj	D3/10
7,226,126	B1 *	6/2007	Spanovich	297/184.16
2002/0125748	A1 *	9/2002	Aguilar	297/184.16

* cited by examiner

Primary Examiner—Sandra Snapp

(74) *Attorney, Agent, or Firm*—David J. Wilson

(57) **CLAIM**

The ornamental design for a beach chair with umbrella and cup holders, as shown and described.

DESCRIPTION

FIG. 1 is a view of the first side of the beach chair with umbrella and cup holders.

FIG. 2 is a view of the second side of the beach chair with umbrella and cup holders.

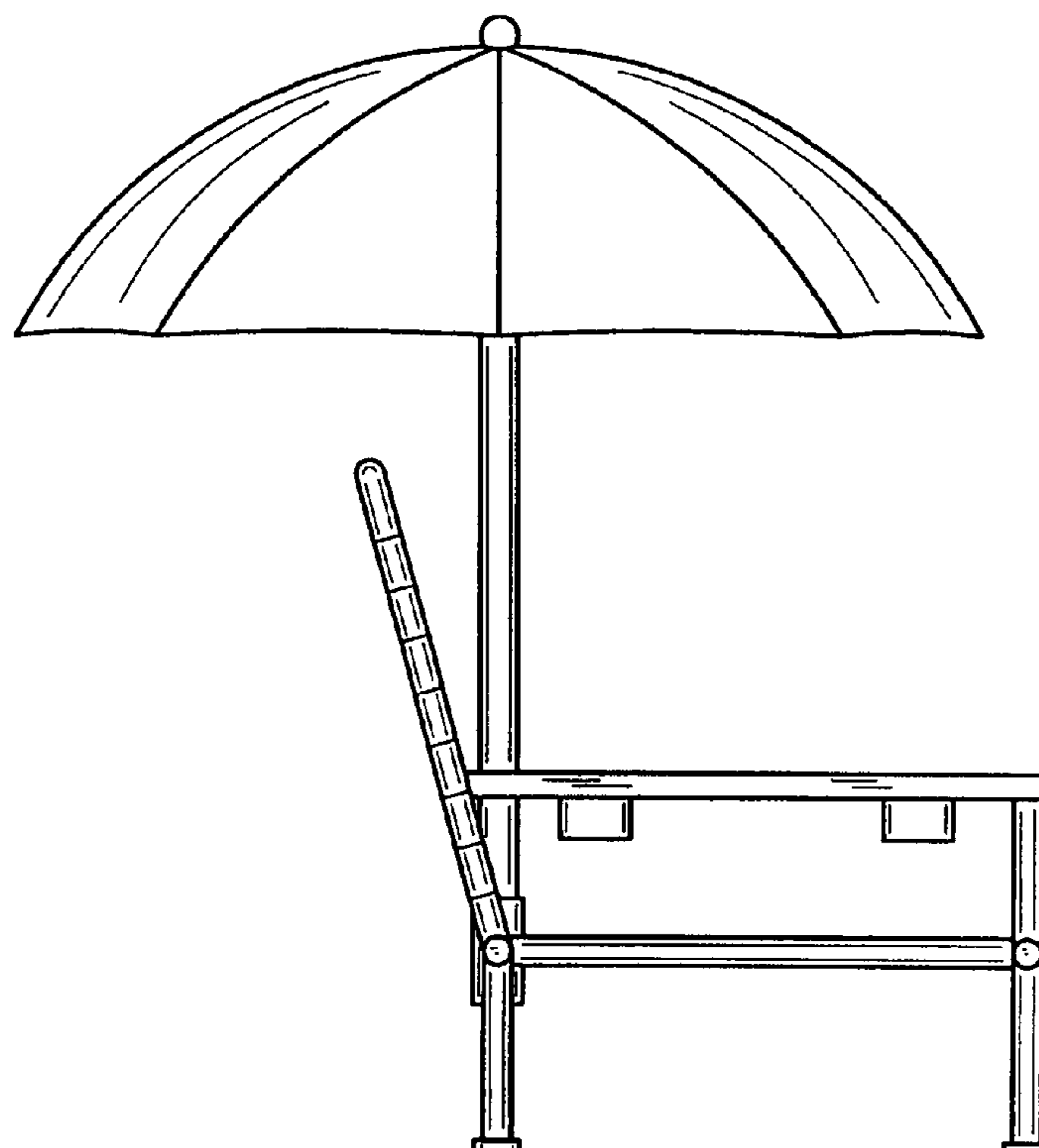
FIG. 3 is a rear view of the beach chair with umbrella and cup holders.

FIG. 4 is a front view of the beach chair with umbrella and cup holders.

FIG. 5 is a top view of the beach chair with umbrella and cup holders; and,

FIG. 6 is a bottom view of the beach chair with umbrella and cup holders.

1 Claim, 3 Drawing Sheets



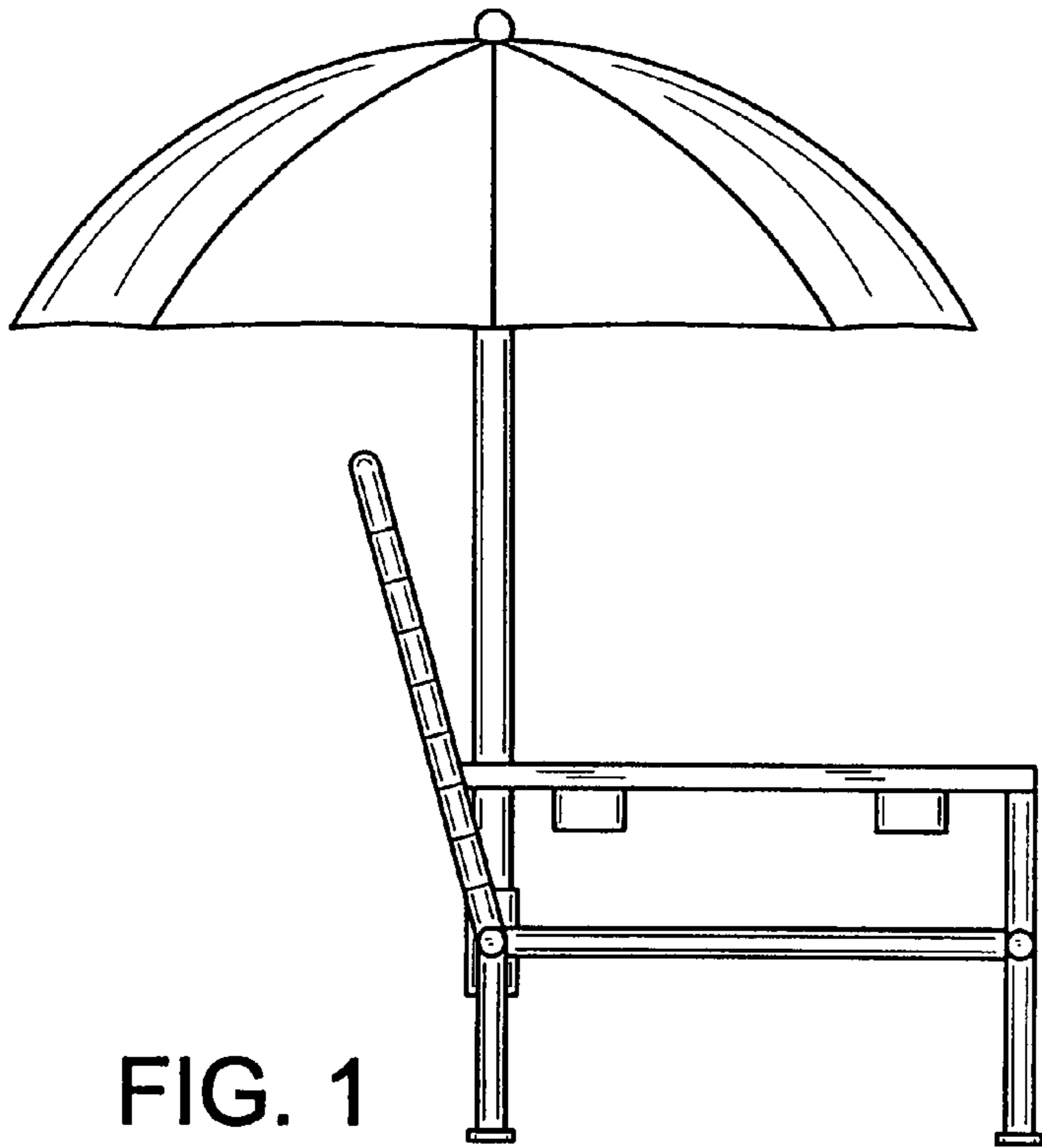


FIG. 1

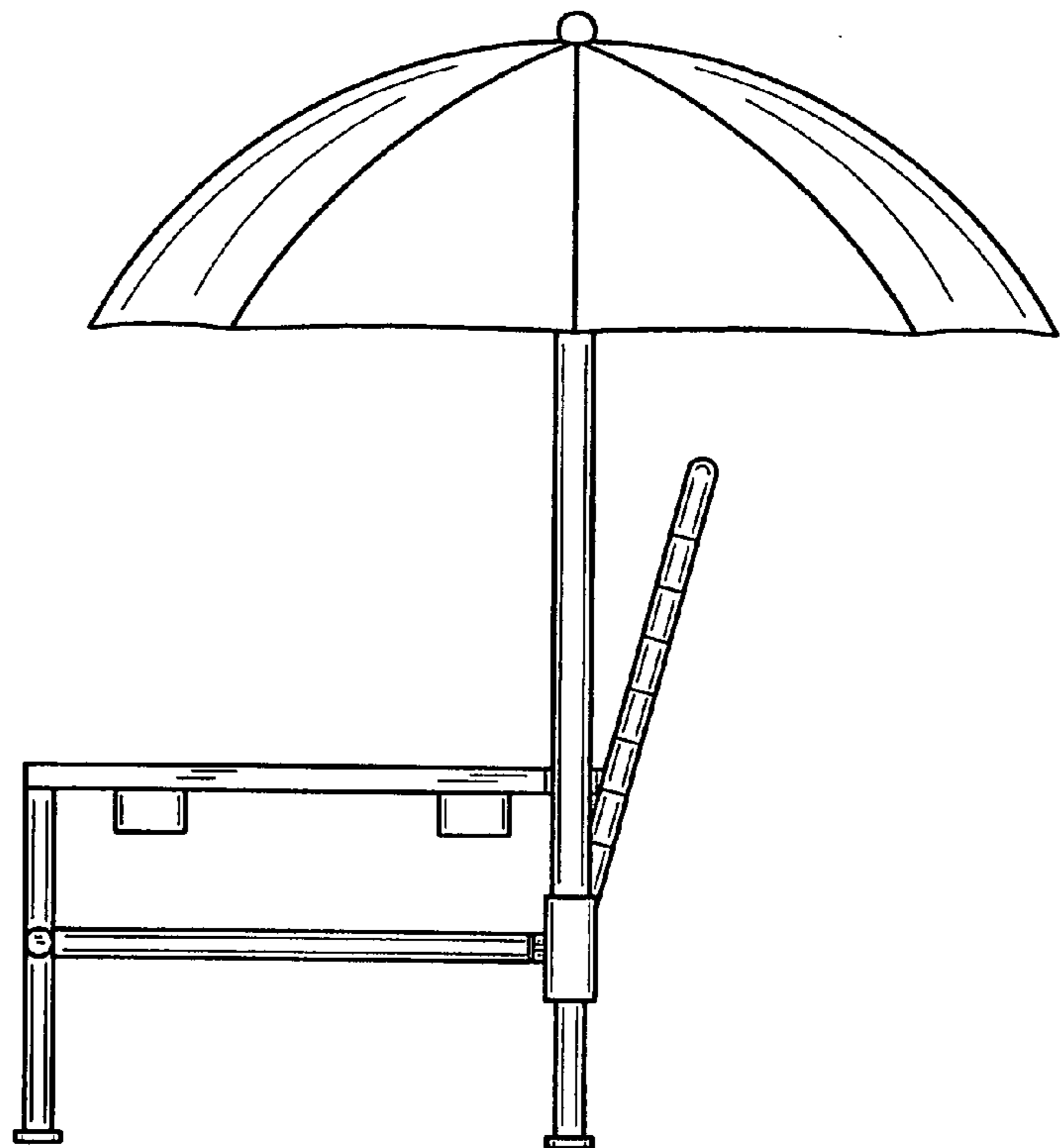


FIG. 2

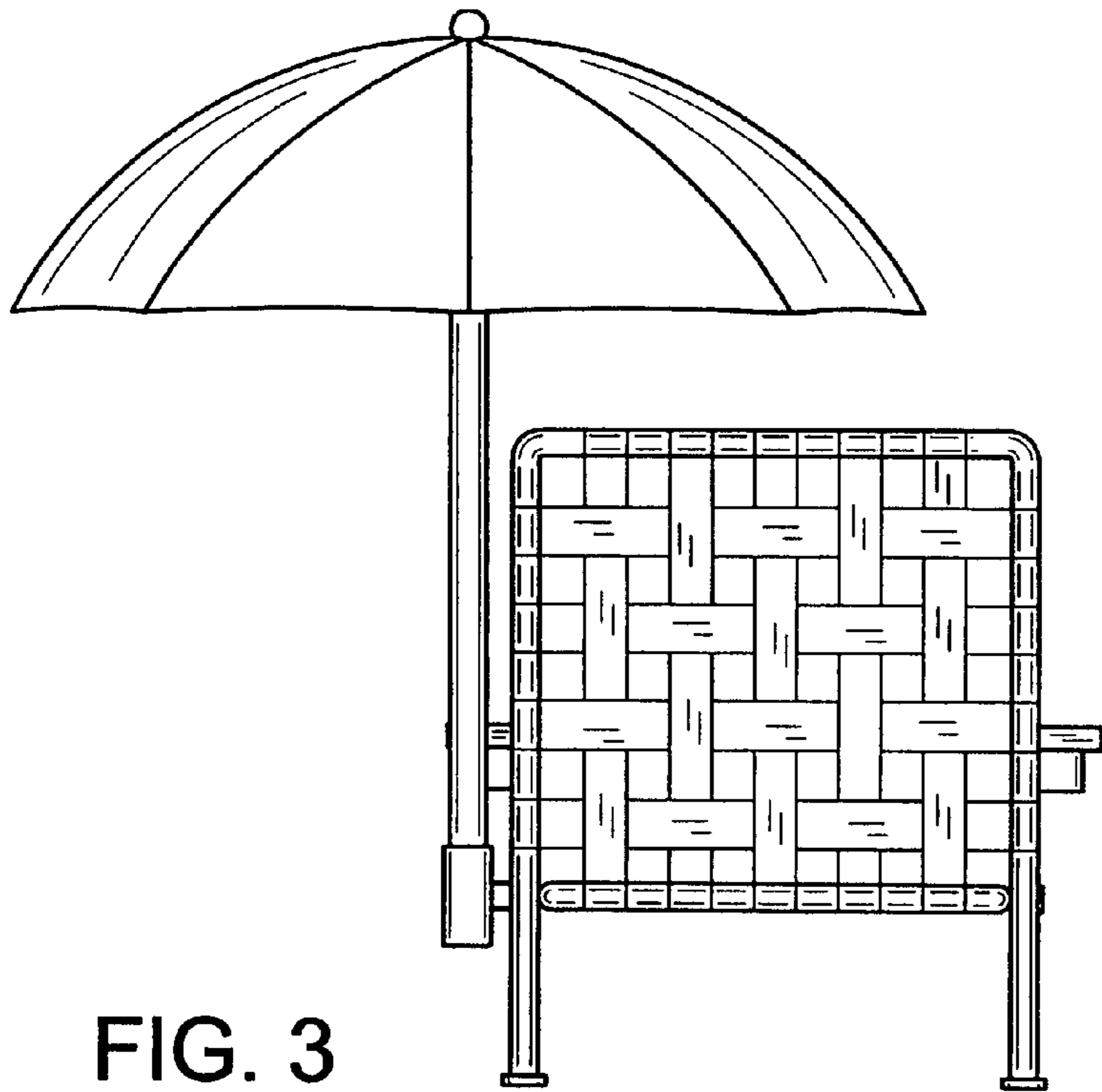


FIG. 3

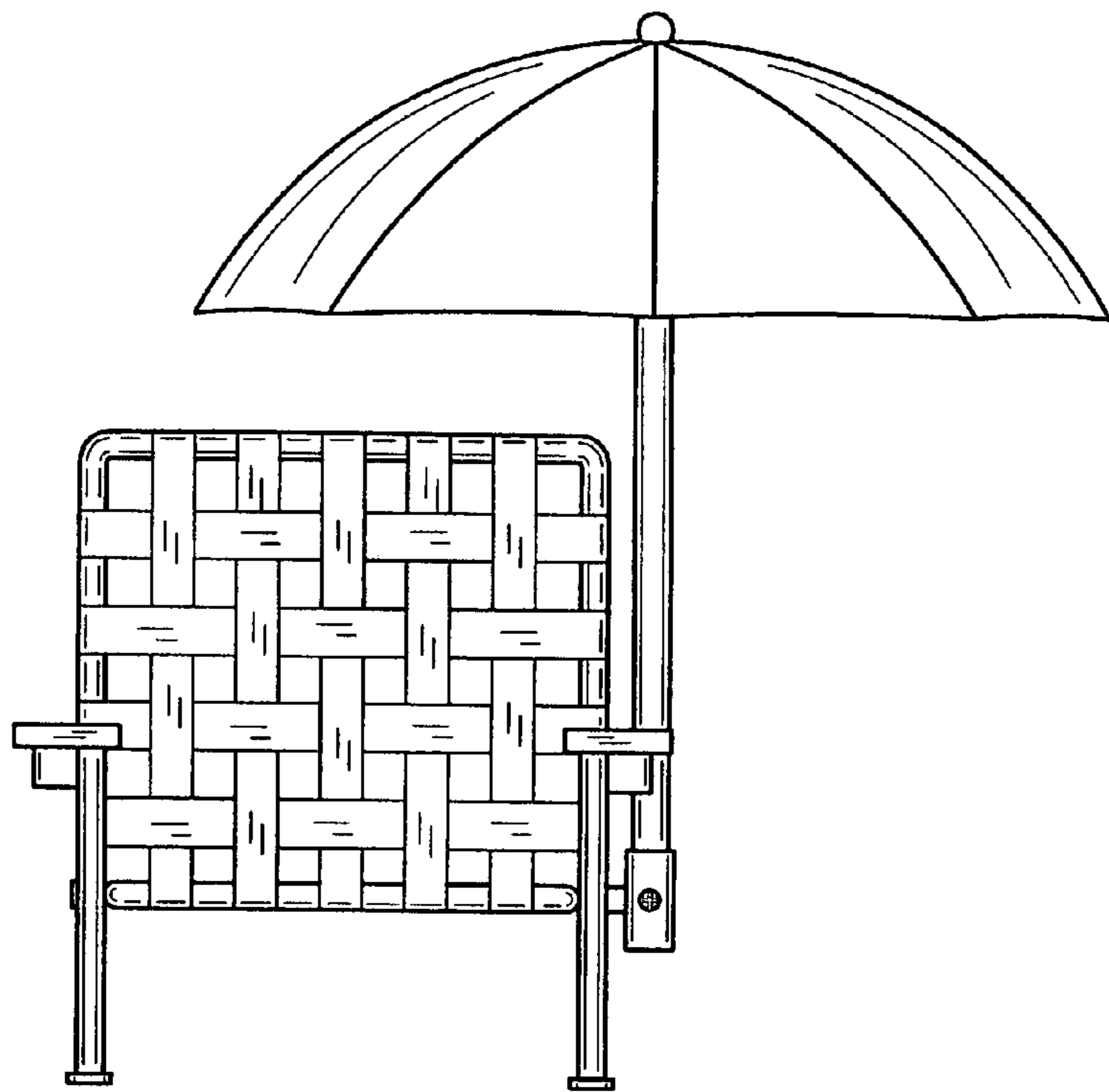


FIG. 4

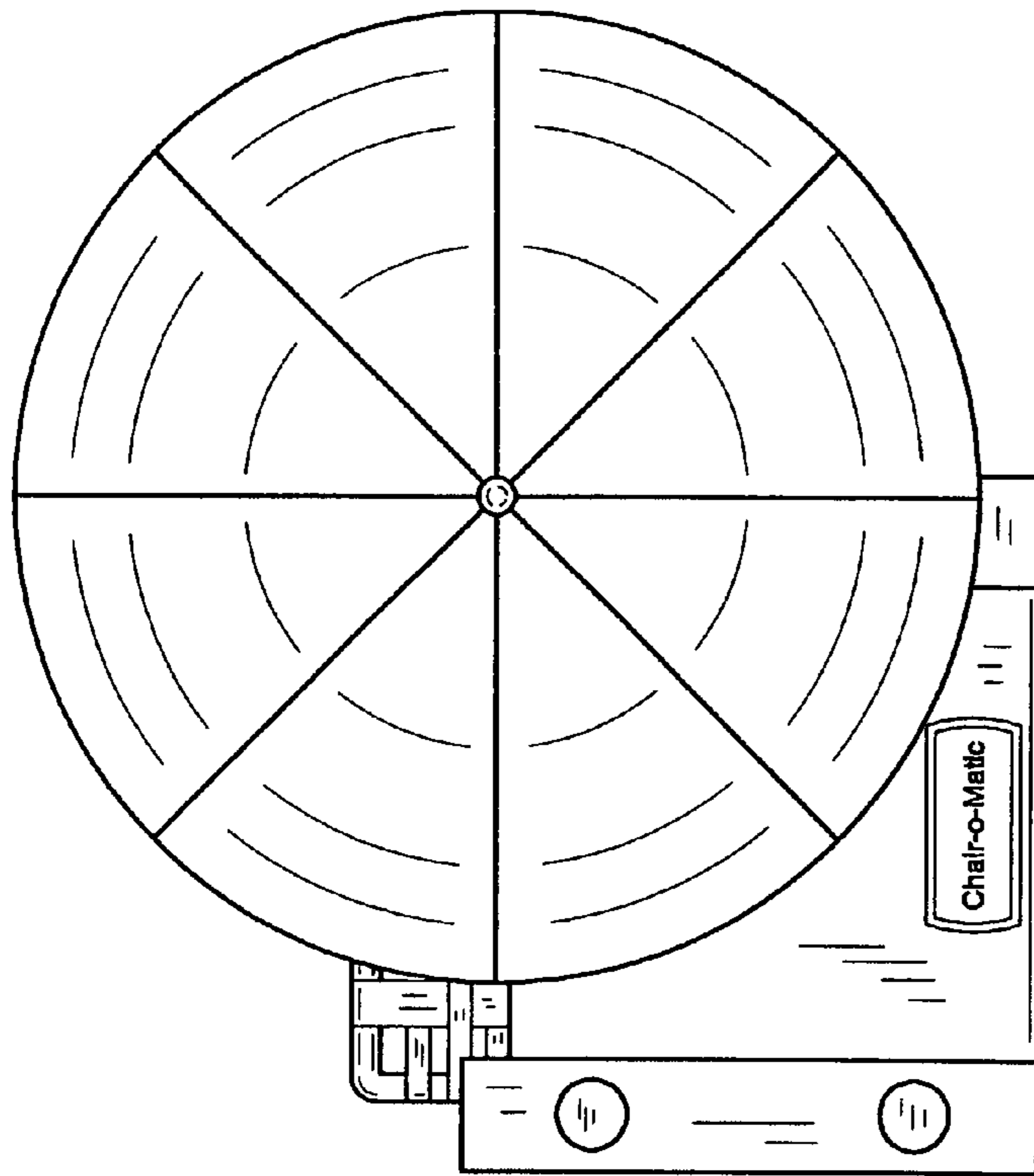


FIG. 5

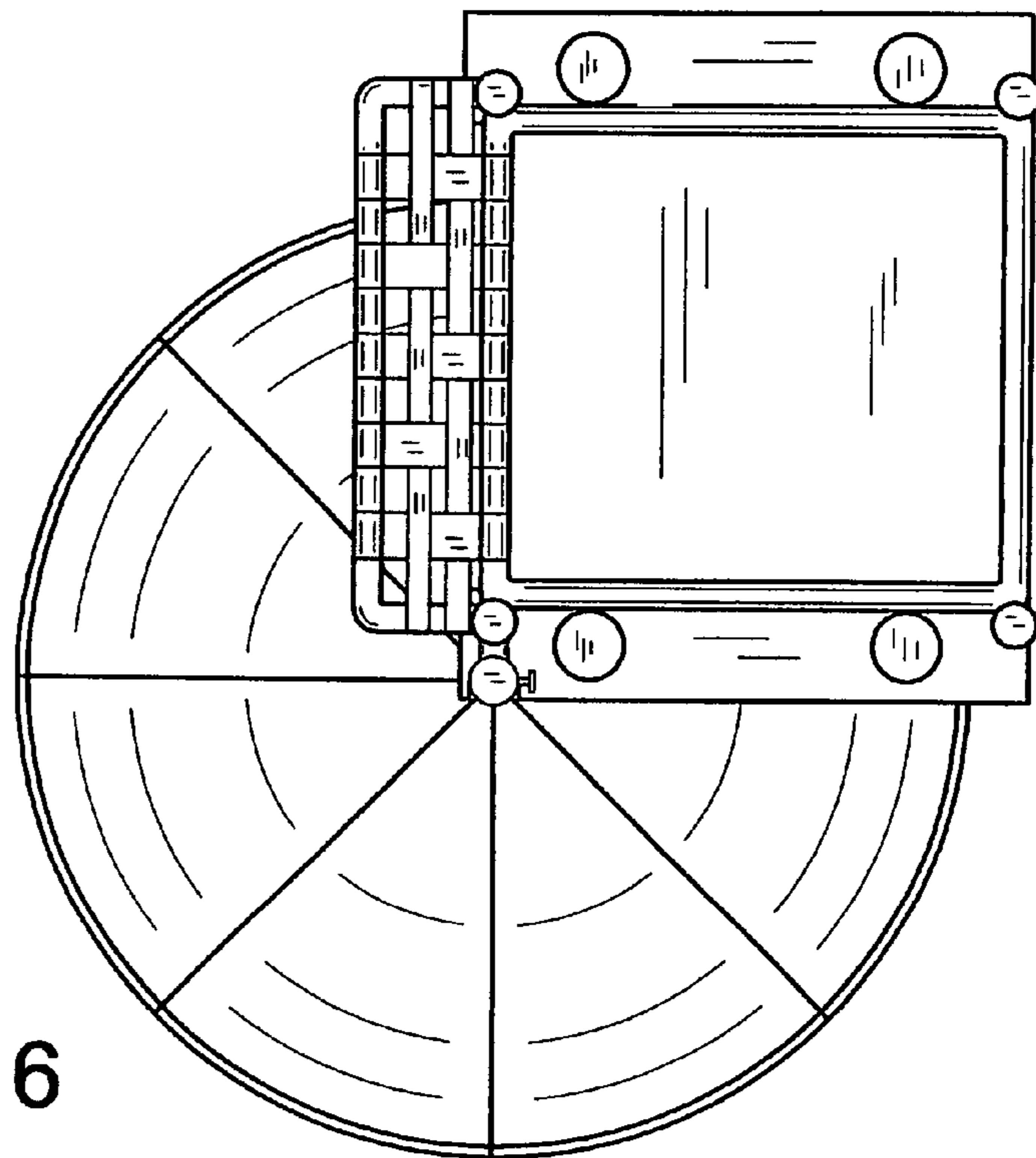


FIG. 6