

US00D571105S

(12) **United States Design Patent**
Godin

(10) **Patent No.:** **US D571,105 S**
(45) **Date of Patent:** **** Jun. 17, 2008**

(54) **COSMETIC BRUSH WITH V-CUT SHAPED BRISTLES**

(75) Inventor: **Sarina Godin**, San Francisco, CA (US)

(73) Assignee: **Bare Escentuals, Inc.**

(**) Term: **14 Years**

(21) Appl. No.: **29/288,173**

(22) Filed: **Jun. 1, 2007**

(51) **LOC (8) Cl.** **04-01**

(52) **U.S. Cl.** **D4/119**

(58) **Field of Classification Search** D4/132,
D4/135; D28/7; 15/159.1, 160, 168, 169,
15/166, 191.1, 192-195, 207.2, DIG. 5; 132/317,
132/320

See application file for complete search history.

(56) **References Cited**

U.S. PATENT DOCUMENTS

2,736,051	A *	2/1956	Boodakian	15/160
5,450,865	A	9/1995	Park		
5,507,063	A *	4/1996	Hirsch	15/160
5,765,573	A	6/1998	Gueret		
6,039,051	A	3/2000	Dorf		
6,076,531	A	6/2000	Gueret		
6,234,181	B1	5/2001	Lou		
6,371,130	B1 *	4/2002	Vasas	132/218
D471,018	S	3/2003	Mink		
D479,918	S	9/2003	Mink		

6,779,532	B2	8/2004	Dorf
7,043,791	B2	5/2006	Saito
D528,304	S	9/2006	Langer
2004/0003478	A1	1/2004	Mink
2004/0168700	A1	9/2004	Dorf
2005/0188999	A1	9/2005	Byun
2007/0006891	A1	1/2007	Gueret

FOREIGN PATENT DOCUMENTS

FR 2778828 A1 * 11/1999

* cited by examiner

Primary Examiner—Clare E Heflin

Assistant Examiner—Barbara Fox

(74) *Attorney, Agent, or Firm*—David R. Preston & Associates; M. Reza Savari

(57) **CLAIM**

The ornamental design for a cosmetic brush with V-cut shaped bristles, as shown and described.

DESCRIPTION

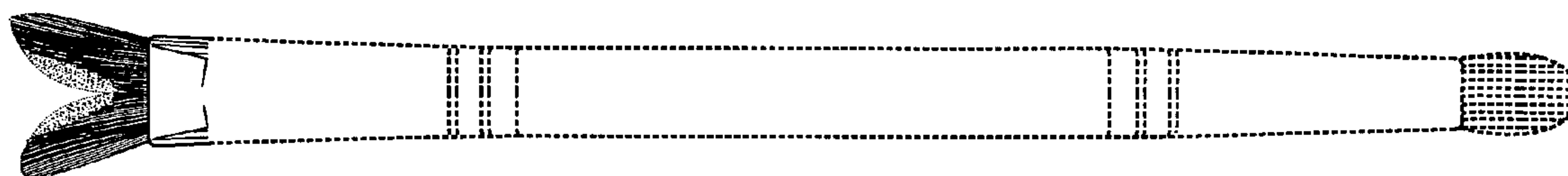
FIG. 1 shows a perspective view of a cosmetic brush with V-cut shaped bristles showing my new design;

FIG. 2 shows a front view thereof; and,

FIG. 3 shows a side view thereof.

The broken lines shown in the drawings are for the purpose of illustrating portions of the cosmetic brush with v-cut shaped bristles and form no part of the claimed design.

1 Claim, 2 Drawing Sheets



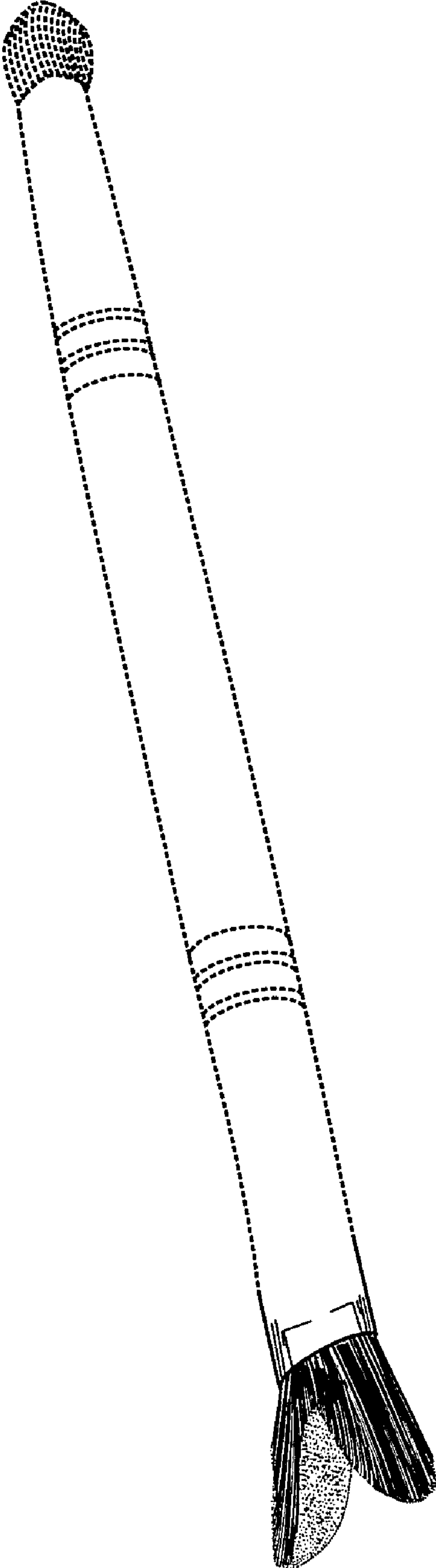


FIG. 1

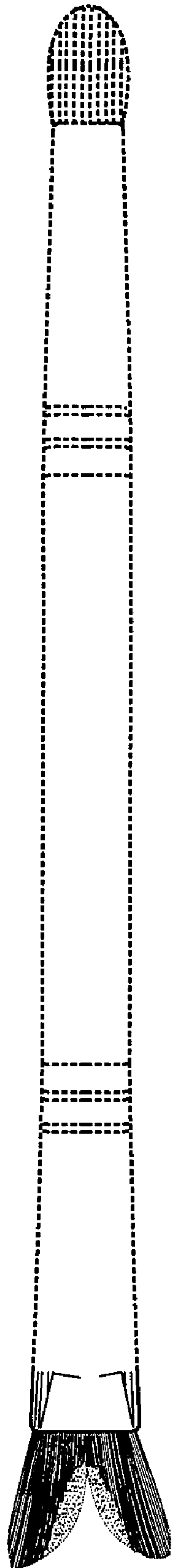


FIG. 2

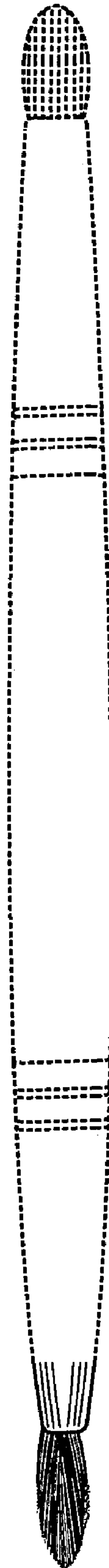


FIG. 3