



US00D571103S

(12) **United States Design Patent**
Simonian et al.

(10) **Patent No.:** **US D571,103 S**
(45) **Date of Patent:** **** Jun. 17, 2008**

(54) **COMPUTER LAPTOP BIN**

D537,631 S * 3/2007 Kung D3/276
D561,993 S * 2/2008 Bum D3/282

(75) Inventors: **Mike Simonian**, San Francisco, CA
(US); **Maaiké Evers**, San Francisco, CA
(US); **Barry Sween**, Santa Monica, CA
(US)

* cited by examiner

Primary Examiner—Catherine R Oliver
(74) *Attorney, Agent, or Firm*—Bryan Cave LLP

(73) Assignee: **Belkin International, Inc.**, Compton,
CA (US)

(57) **CLAIM**

(**) Term: **14 Years**

We claim the ornamental design for an computer laptop bin,
as shown.

(21) Appl. No.: **29/283,298**

(22) Filed: **Aug. 9, 2007**

DESCRIPTION

(51) **LOC (8) Cl.** **03-01**

FIG. 1 is a front, top, right isometric view of the article;

(52) **U.S. Cl.** **D3/282; D3/201**

FIG. 2 is a front view of the article;

(58) **Field of Classification Search** D3/201,
D3/203.1, 203.6, 203.7, 272–276, 281–282,
D3/294; 190/100, 109–111; 206/349, 372,
206/373

FIG. 3 is a rear view of the article;

FIG. 4 is a right view of the article;

FIG. 5 is a left view of the article;

FIG. 6 is a top view of the article; and,

FIG. 7 is a bottom view of the article.

See application file for complete search history.

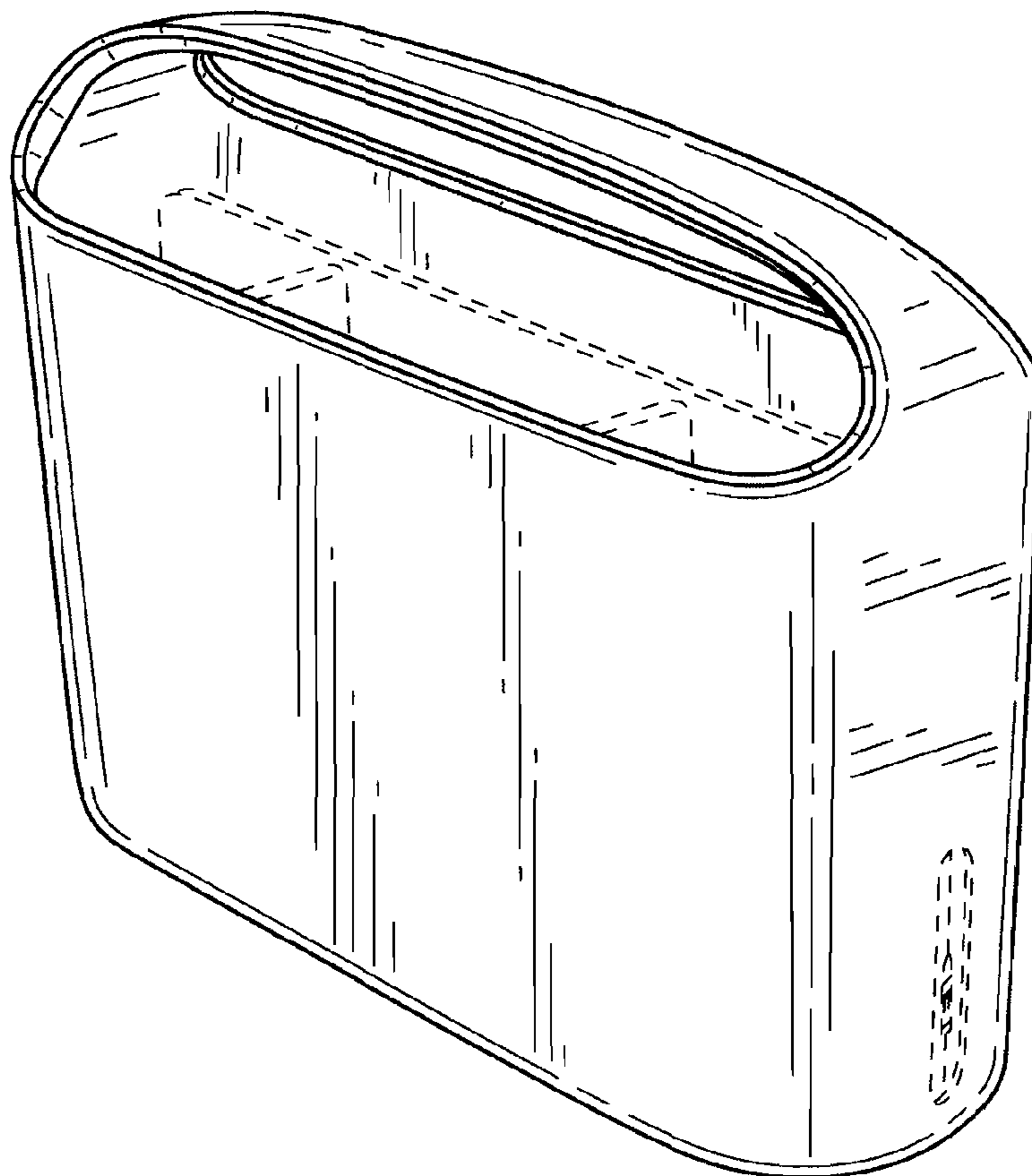
The broken line showing of environment in the drawings is
included for the purpose of illustrating only and forms no part
of the claimed design.

(56) **References Cited**

U.S. PATENT DOCUMENTS

D449,164 S * 10/2001 Rosen D3/282
D505,542 S * 5/2005 Miller D3/203.6

1 Claim, 5 Drawing Sheets



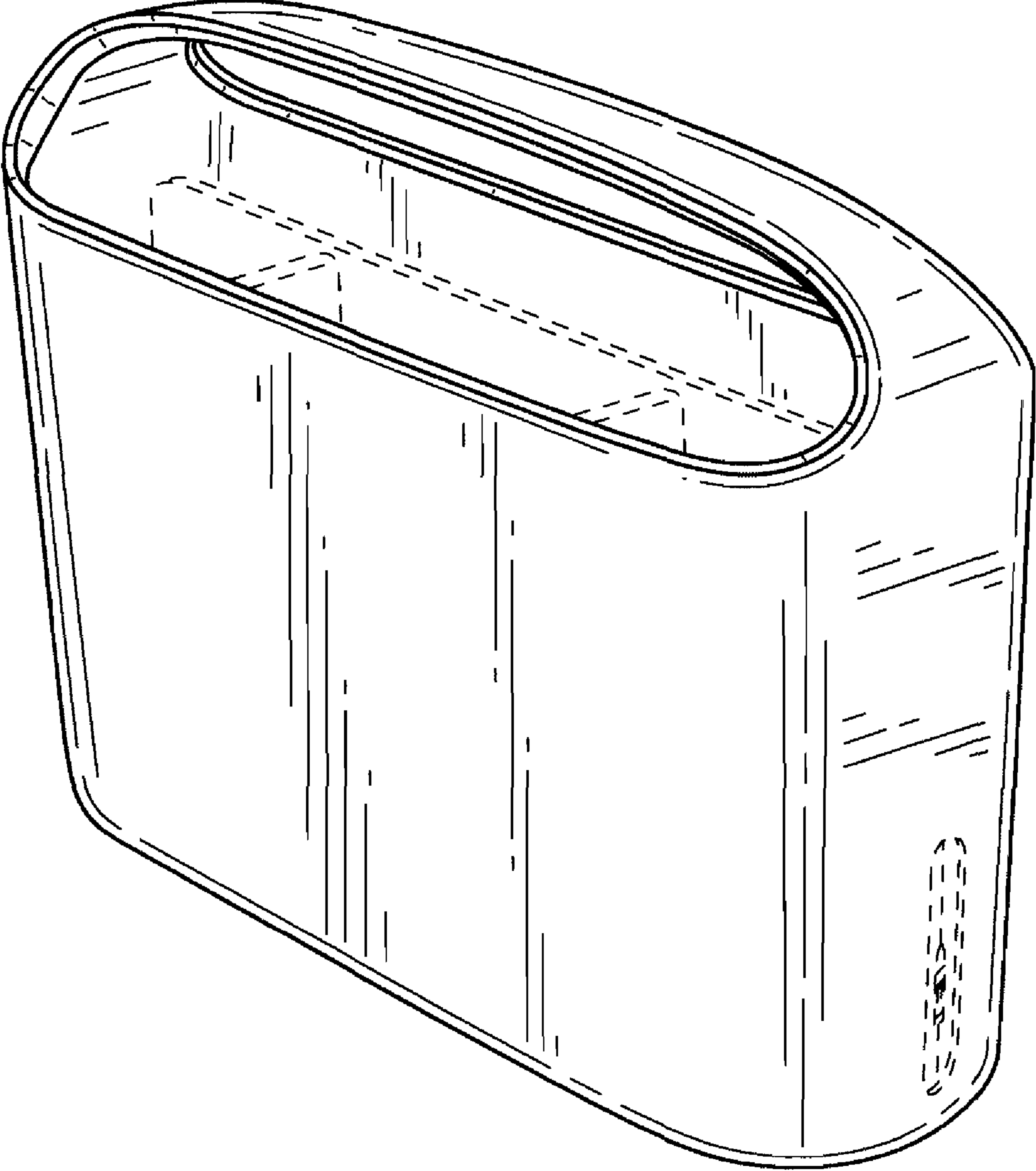


FIG. 1

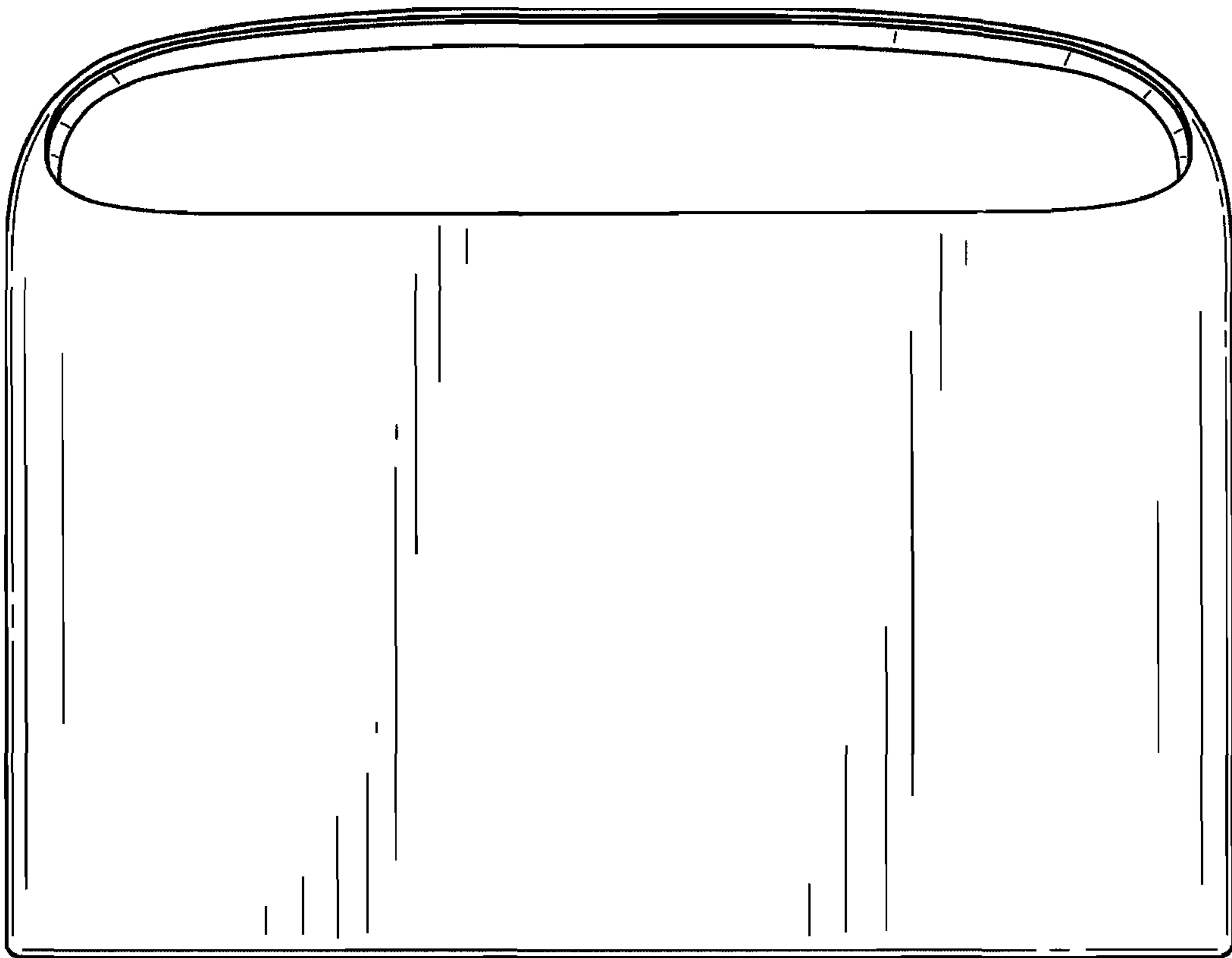


FIG.2

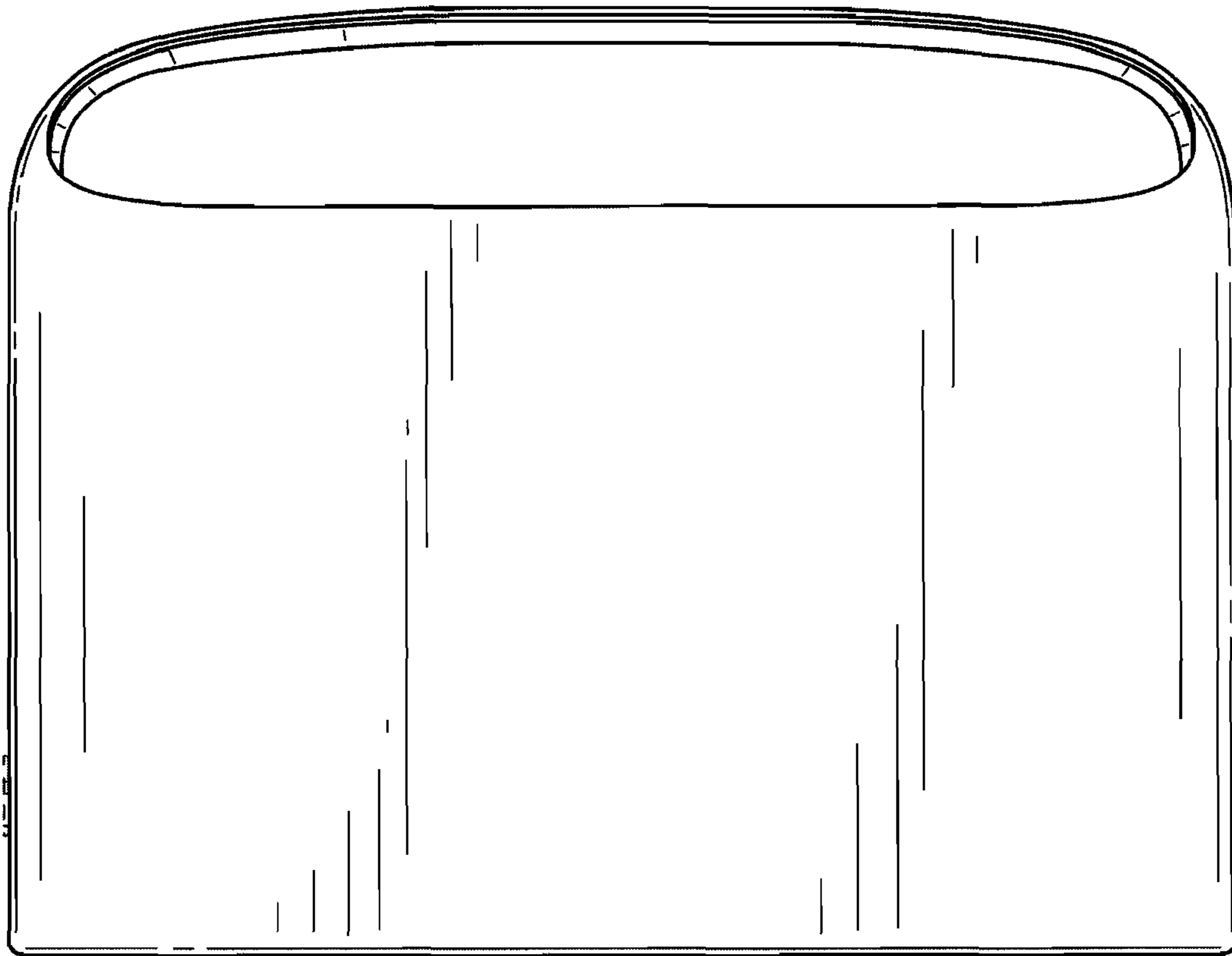


FIG.3

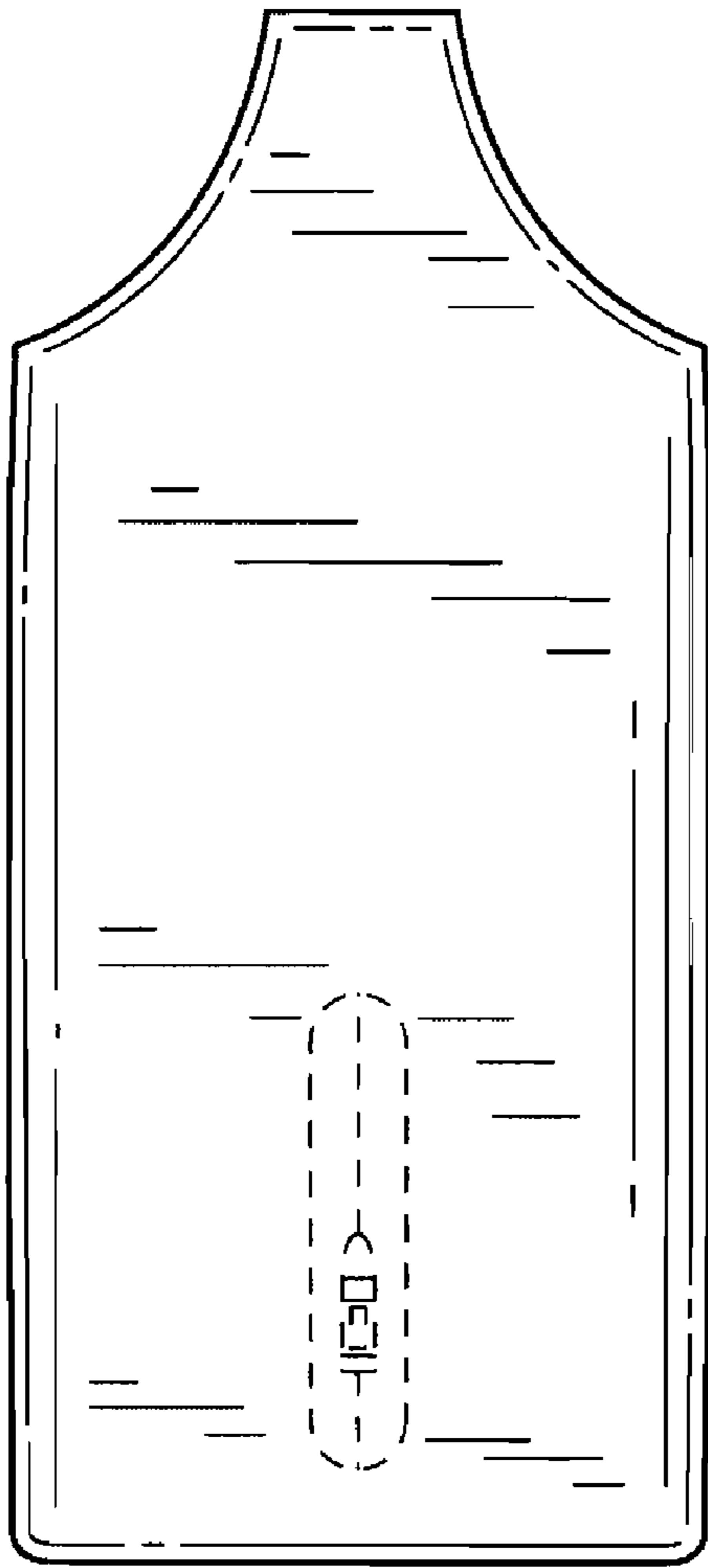


FIG. 4

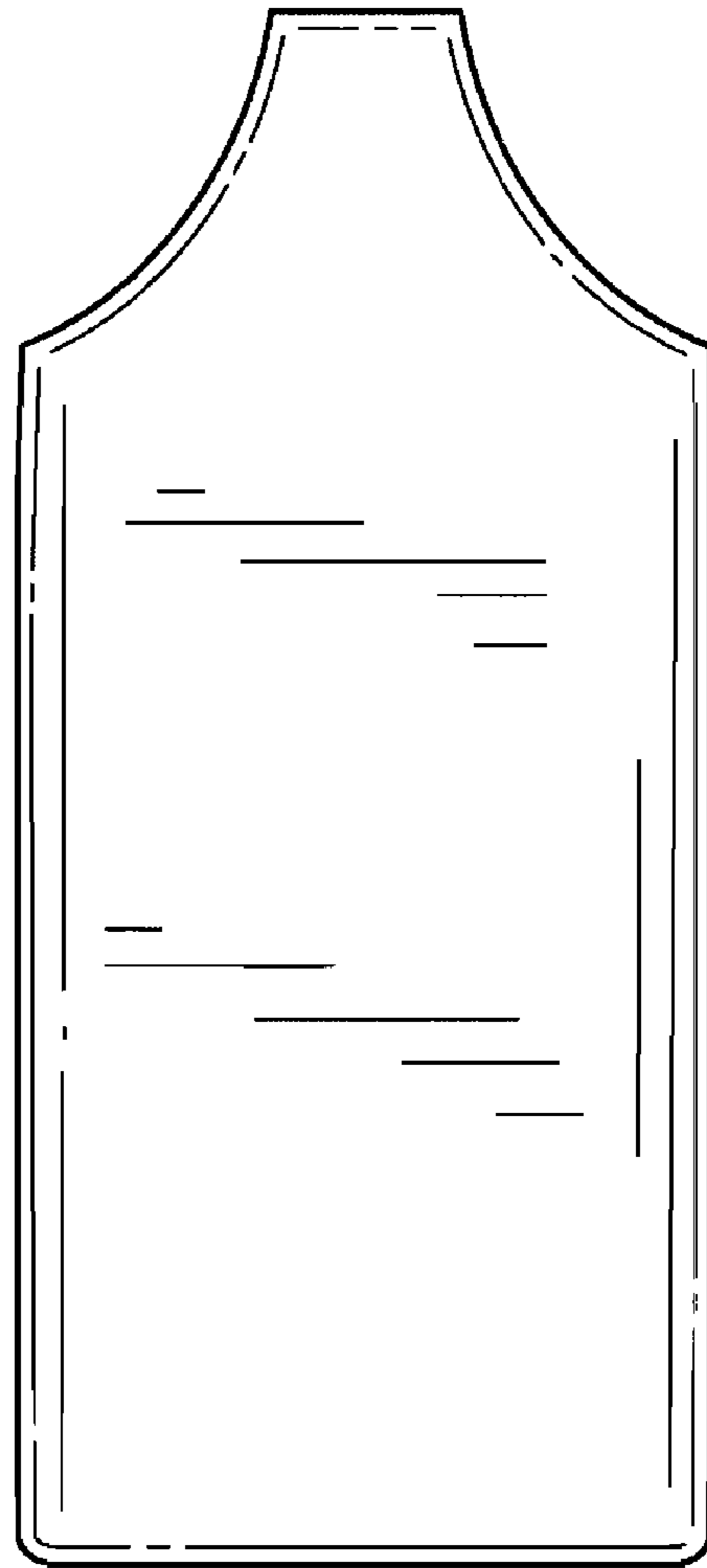


FIG. 5

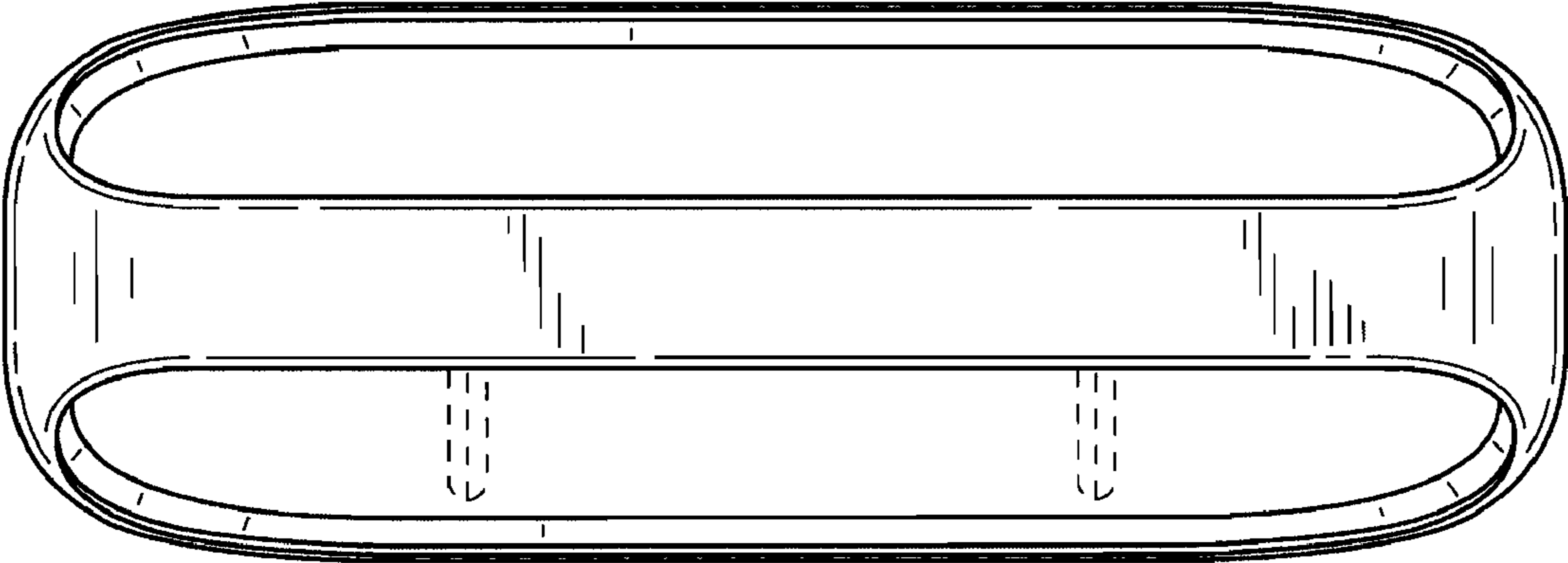


FIG.6

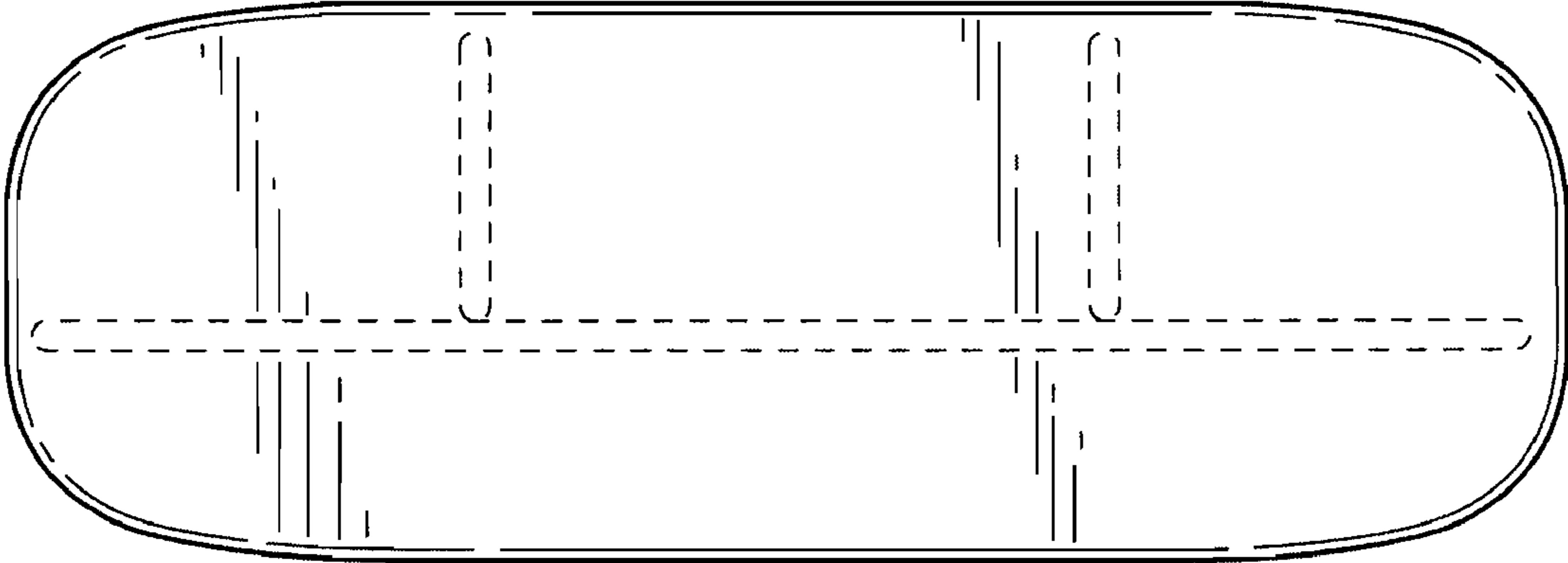


FIG.7