



US00D571100S

(12) **United States Design Patent**  
**Nassos et al.**

(10) **Patent No.:** **US D571,100 S**  
(45) **Date of Patent:** **\*\* Jun. 17, 2008**

(54) **FIRST AID CASE**

FOREIGN PATENT DOCUMENTS

(76) Inventors: **Pete Nassos**, P.O. Box 73200, Phoenix, AZ (US) 85050; **Richelle Nassos**, P.O. Box 73200, Phoenix, AZ (US) 85050

DE 19852598 10/2000

\* cited by examiner

(\*\*) Term: **14 Years**

*Primary Examiner*—Catherine R Oliver

(74) *Attorney, Agent, or Firm*—The Halvorson Law Firm

(21) Appl. No.: **29/291,229**

(57) **CLAIM**

(22) Filed: **Aug. 20, 2007**

The ornamental design for a first aid case, as shown and described.

(51) **LOC (8) Cl.** ..... **03-01**

(52) **U.S. Cl.** ..... **D3/203.6**

(58) **Field of Classification Search** ..... D3/203.1, D3/203.2, 203.3, 201, 205, 219, 203.7; 206/5, 206/530–538; D9/416–420, 730, 733, 735–736  
See application file for complete search history.

**DESCRIPTION**

FIG. 1 is a perspective view of the first aid case;

FIG. 2 is a second perspective view of the first aid case;

FIG. 3 is a top view of the first aid case;

FIG. 4 is a front view of the first aid case;

FIG. 5 is a rear view of the first aid case;

FIG. 6 is a bottom view of the first aid case;

FIG. 7 is an end view of the first aid case; and,

FIG. 8 is a second end view of the first aid case.

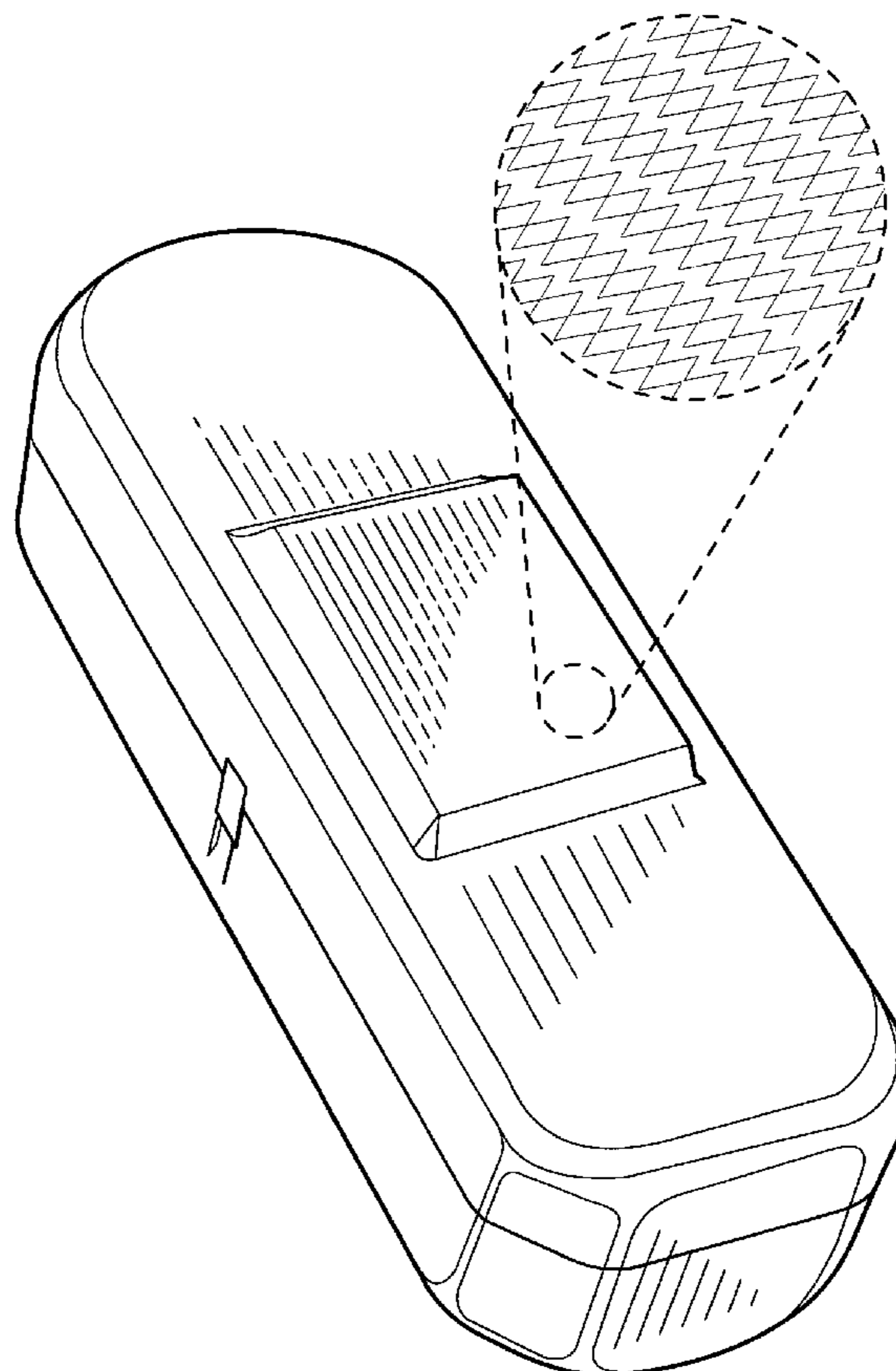
The broken lines in FIGS. 1–7 disclose an enlarged view of the surface texture of the case. This surface texture covers the entire case.

(56) **References Cited**

U.S. PATENT DOCUMENTS

D56,306 S	9/1920	Philips	.....	D9/414
1,436,406 A	11/1922	Schulz	.....	220/319
D187,955 S	5/1960	Restaino et al.	.....	D6/515
D262,189 S	12/1981	Swatek	.....	D3/203.7
D390,103 S	2/1998	Gerson	.....	D9/600
D545,563 S *	7/2007	Margiotta	.....	D3/203.3
D555,512 S *	11/2007	Lam	.....	D9/730

**1 Claim, 7 Drawing Sheets**



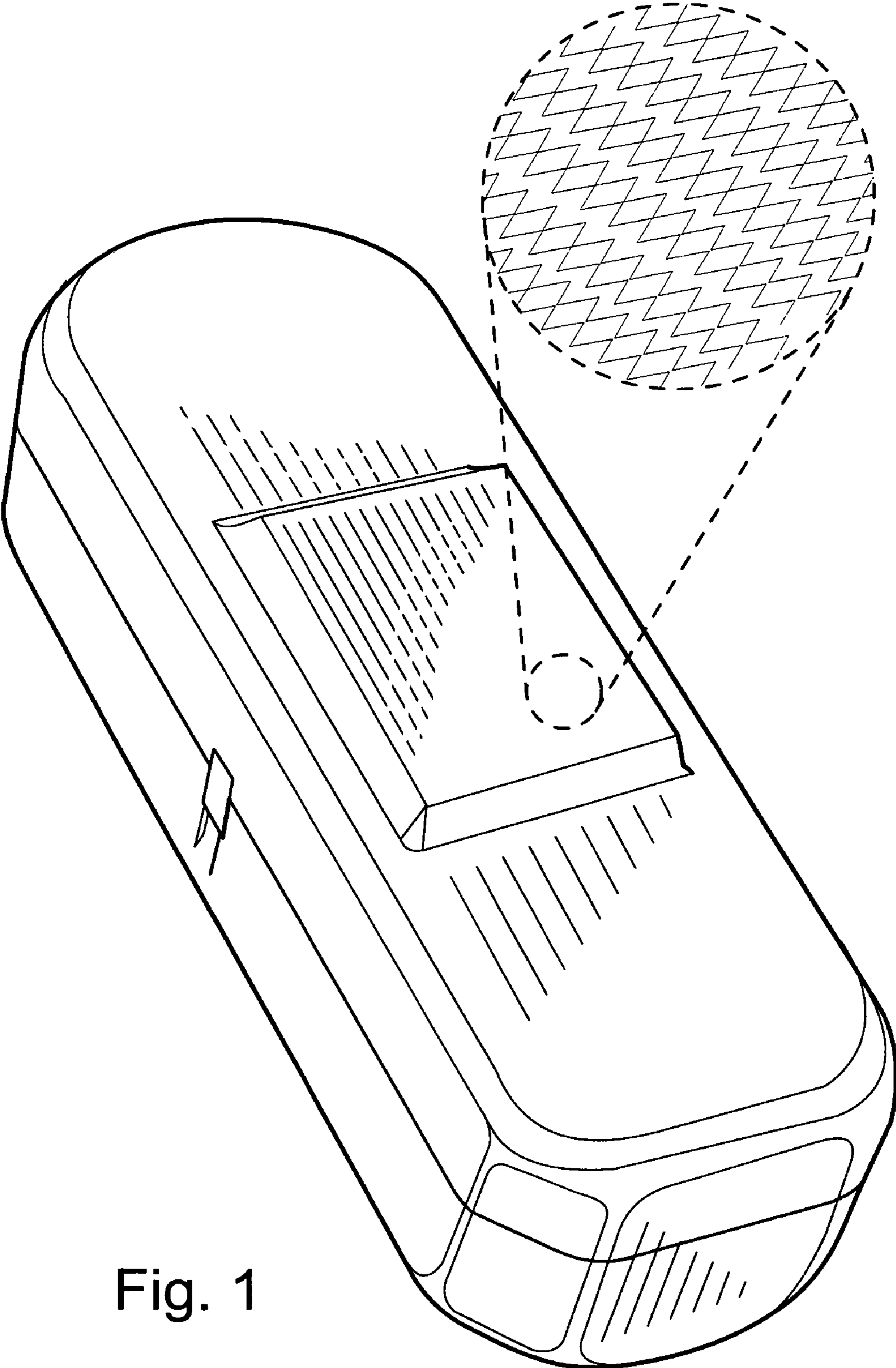


Fig. 1

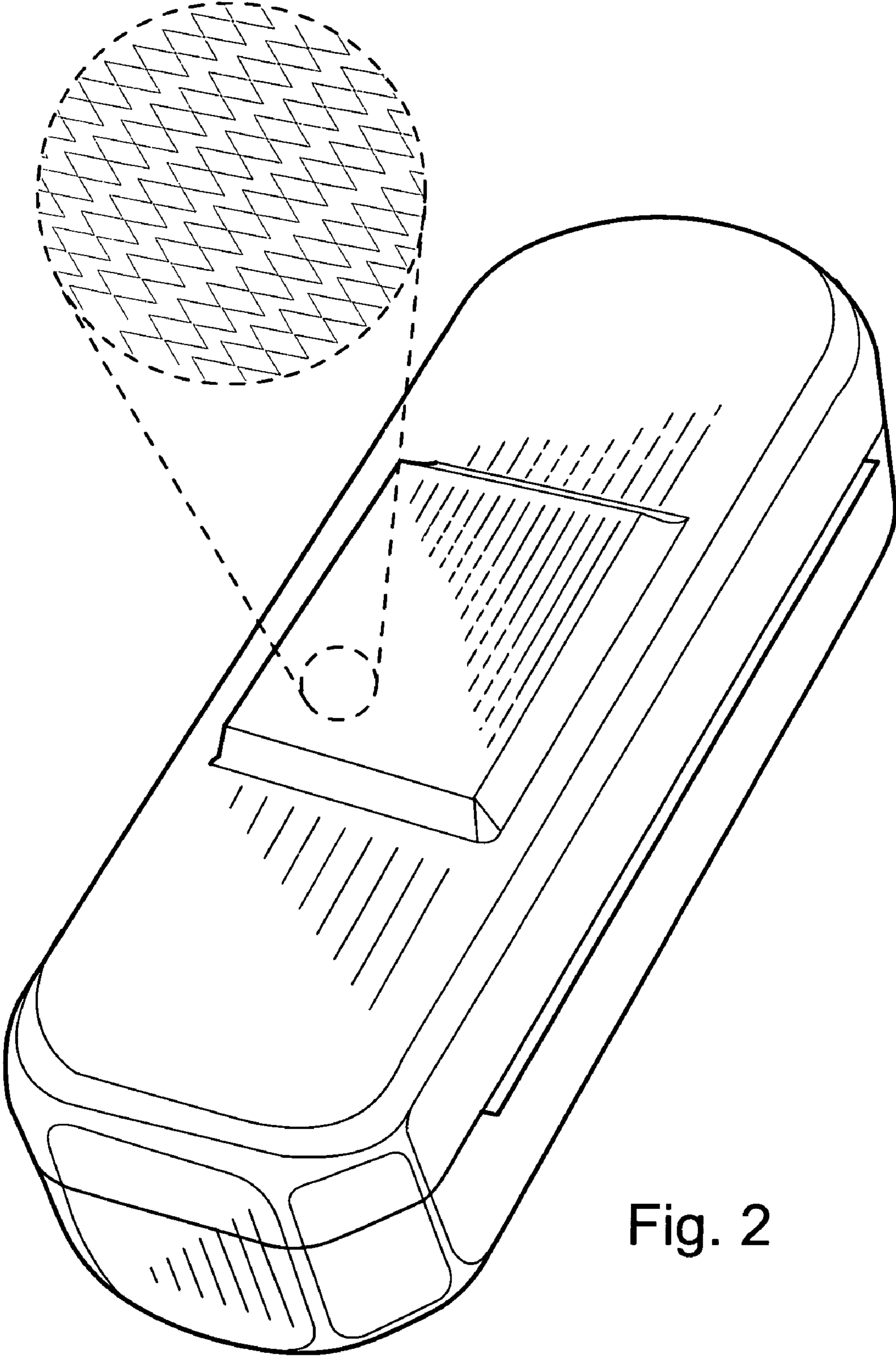


Fig. 2

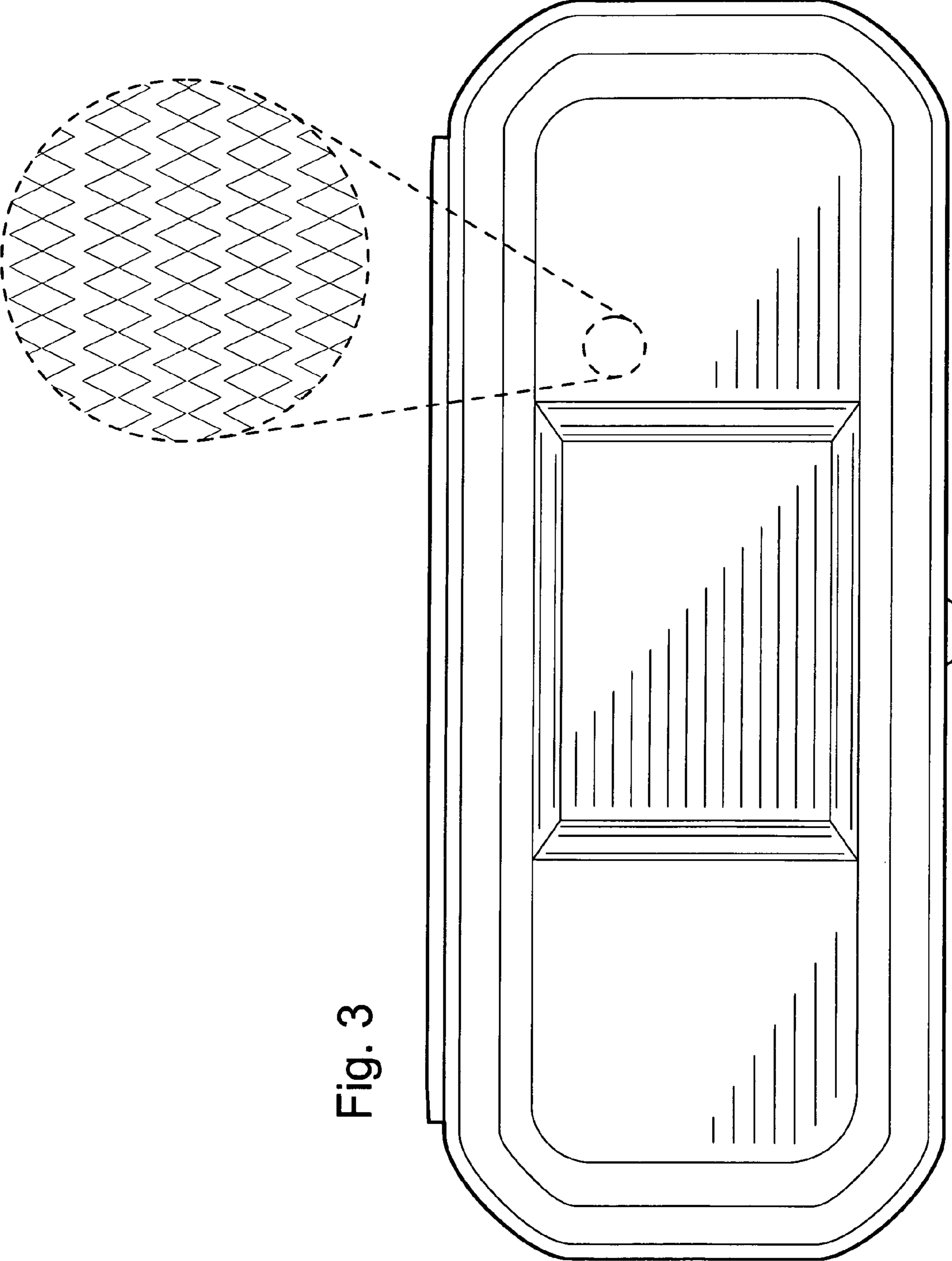


Fig. 3

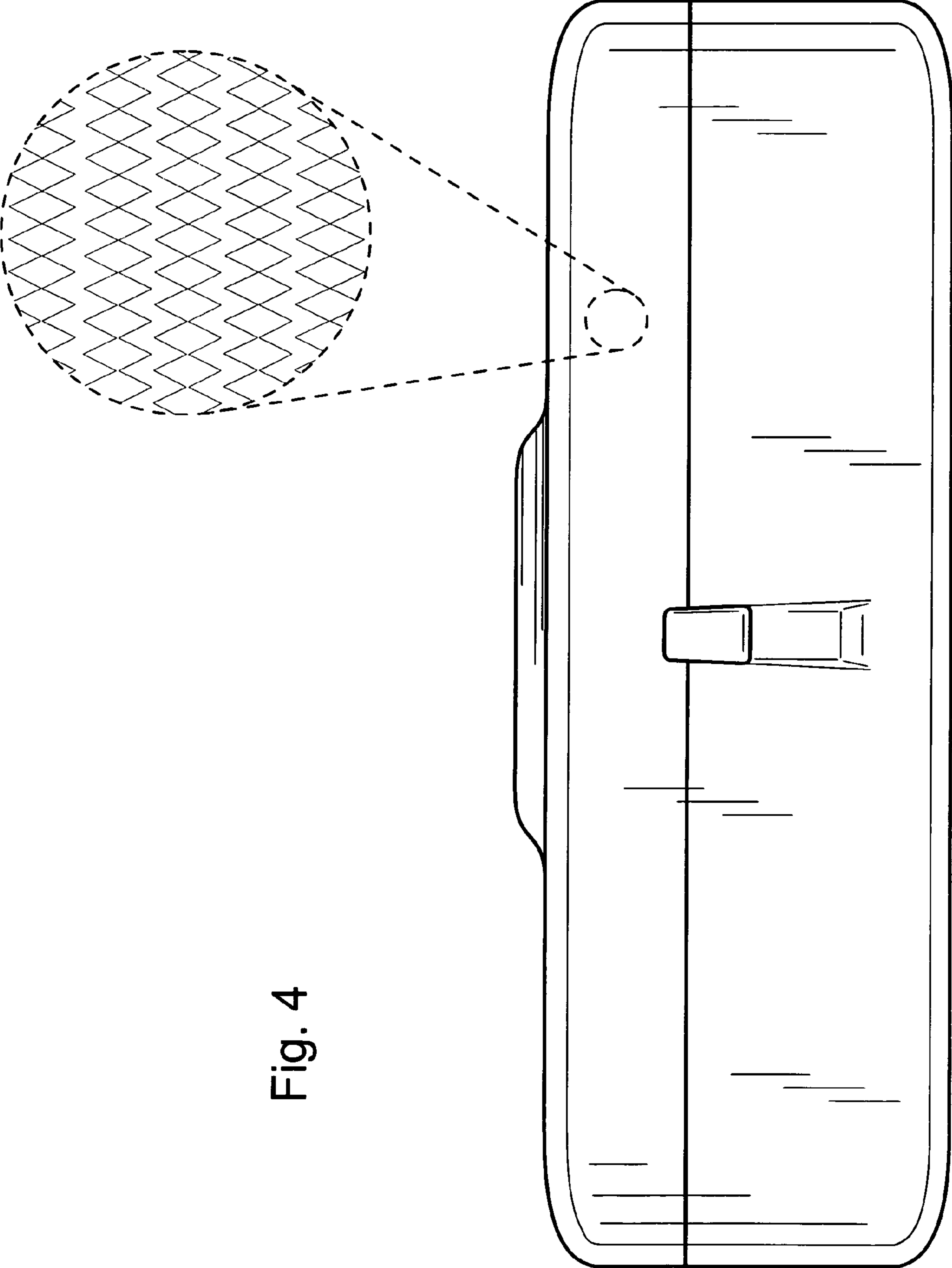


Fig. 4

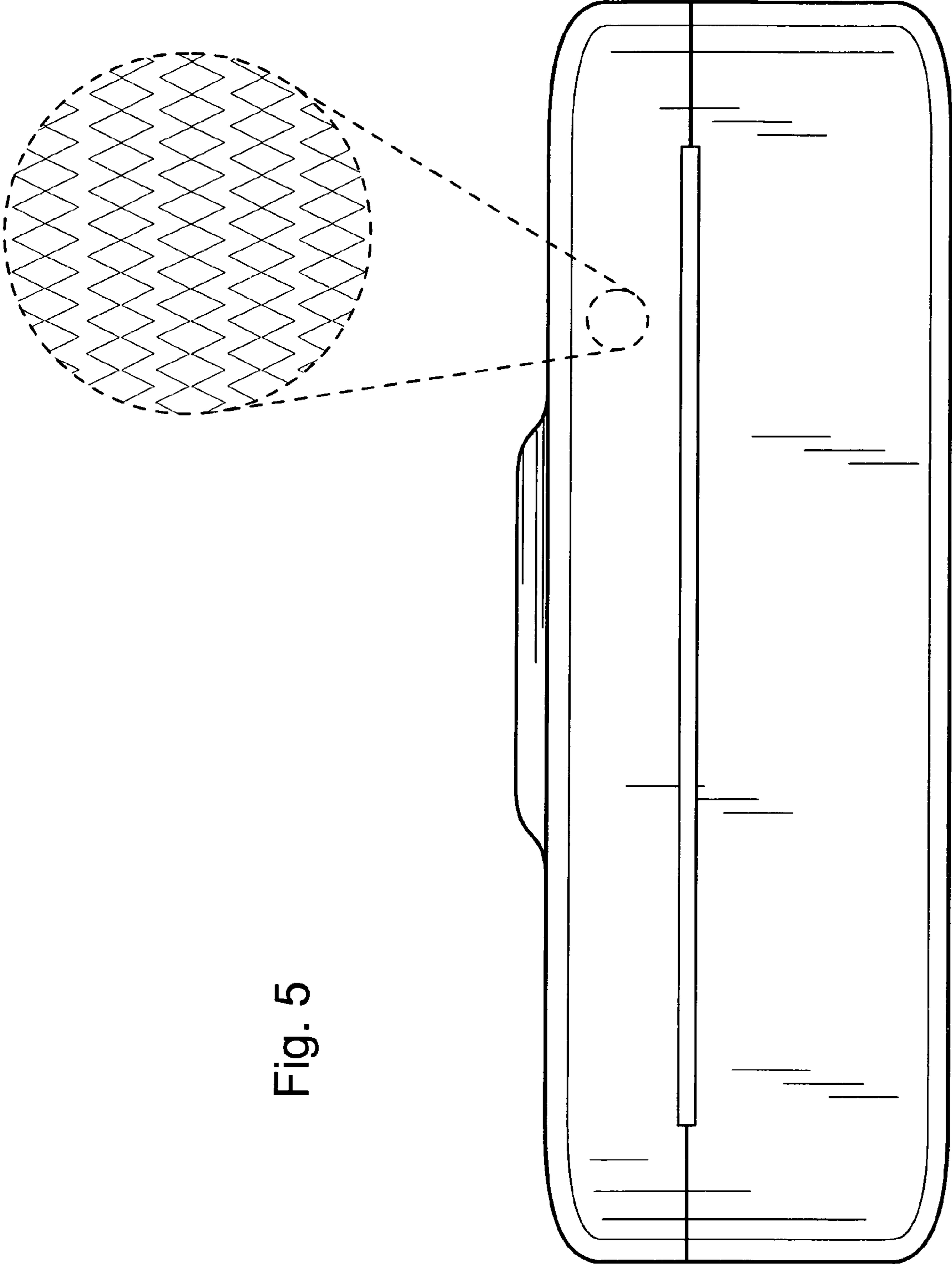


Fig. 5

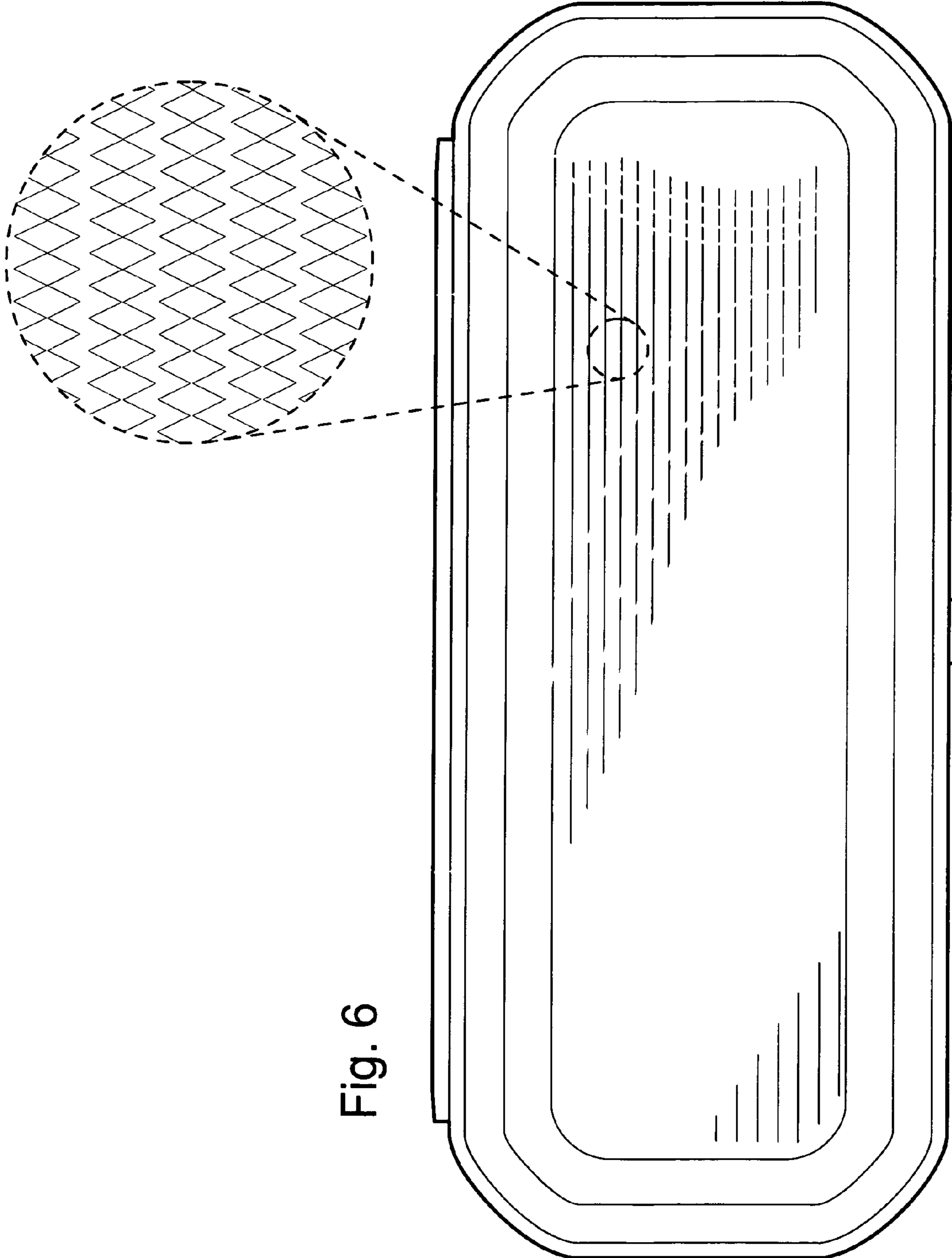


Fig. 6

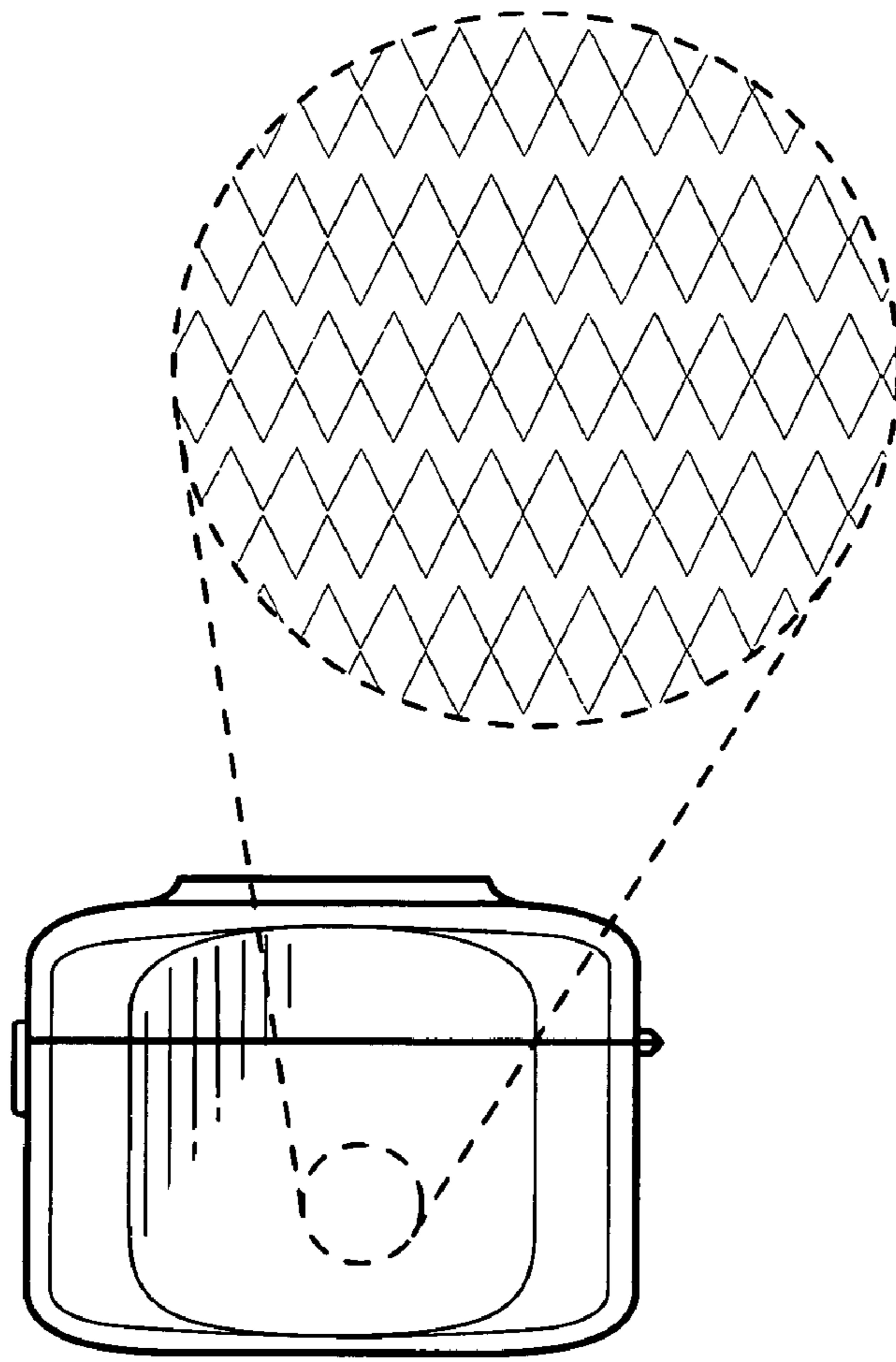


Fig. 7

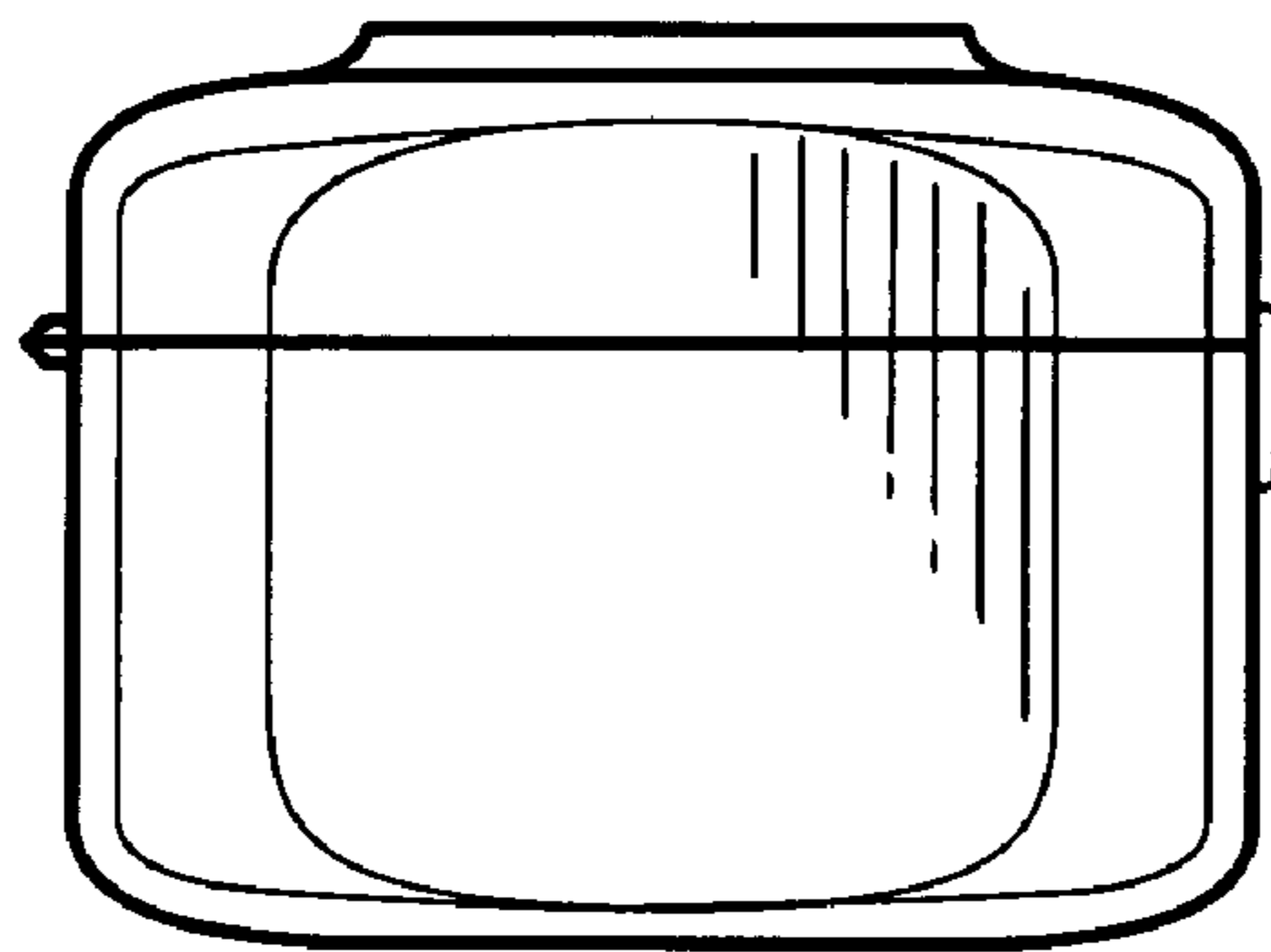


Fig. 8