

US00D571097S

(12) **United States Design Patent**
Della Valle

(10) **Patent No.:** **US D571,097 S**
(45) **Date of Patent:** **** Jun. 17, 2008**

(54) **DECORATION FOR SHOE**

(75) Inventor: **Andrea Della Valle**, Sant'Elpidio a Mare (IT)

(73) Assignee: **TOD'S S.p.A.**, Sant'Elpidio a Mare (AP) (IT)

(**) Term: **14 Years**

(21) Appl. No.: **29/275,486**

(22) Filed: **Dec. 27, 2006**

(30) **Foreign Application Priority Data**

Jun. 28, 2006 (EM) 000552351

(51) **LOC (8) Cl.** **02-99**

(52) **U.S. Cl.** **D2/976; D2/946**

(58) **Field of Classification Search** D2/946,
D2/976; D11/231, 234, 237; 36/136; 24/163 R,
24/188, 191-193

See application file for complete search history.

(56) **References Cited**

U.S. PATENT DOCUMENTS

54,504	A *	5/1866	Cissina	24/188
D43,225	S *	11/1912	Miller	D11/237
D43,584	S *	2/1913	Warner	D11/237
1,464,381	A *	8/1923	Amidano	24/188
D79,582	S *	10/1929	Barker	D11/237
D79,602	S *	10/1929	Myers	D11/237
D87,443	S *	7/1932	Rosenthal	D11/234
D97,742	S *	12/1935	Putman	D11/237
D99,008	S *	3/1936	Freysinger	D11/237

2,305,471	A *	12/1942	Greenblatt	24/163 R
2,407,491	A *	9/1946	Gries	24/188
D157,382	S *	2/1950	Krasnow	D11/237
D387,026	S *	12/1997	Barone	D11/237
D479,812	S *	9/2003	Calvani	D11/234
D513,207	S *	12/2005	Jones et al.	D11/231
D536,281	S *	2/2007	Mouquet	D11/234
D544,401	S *	6/2007	Fendi	D11/234

* cited by examiner

Primary Examiner—Dominic Simone

(74) *Attorney, Agent, or Firm*—Knobbe Martens Olson & Bear LLP

(57) **CLAIM**

The ornamental design for an ornamental decoration for shoe, as shown and described herein.

DESCRIPTION

FIG. 1 is a left side plan view of an ornamental decoration for shoe according to the new design.

FIG. 2 is a front plan view of the design of FIG. 1.

FIG. 3 is a right side plan view of the design of FIG. 1.

FIG. 4 is a rear plan view of the design of FIG. 1.

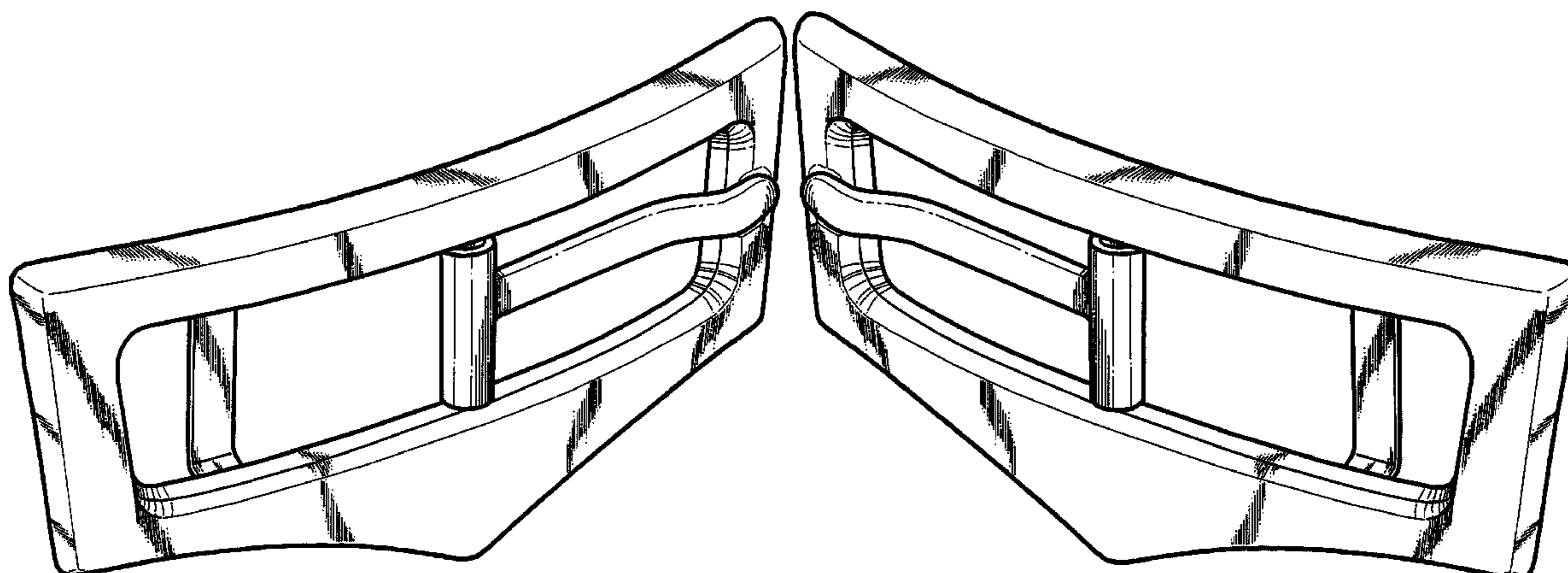
FIG. 5 is a bottom plan view of the design of FIG. 1.

FIG. 6 is a top plan view of the design of FIG. 1.

FIG. 7 is a perspective view of the design of FIG. 1; and,

FIGS. 8-14 are mirror images of the views in FIGS. 1-7, respectively, which together represent a mirror image of the ornamental decoration for shoe depicted in FIGS. 1-7.

1 Claim, 8 Drawing Sheets



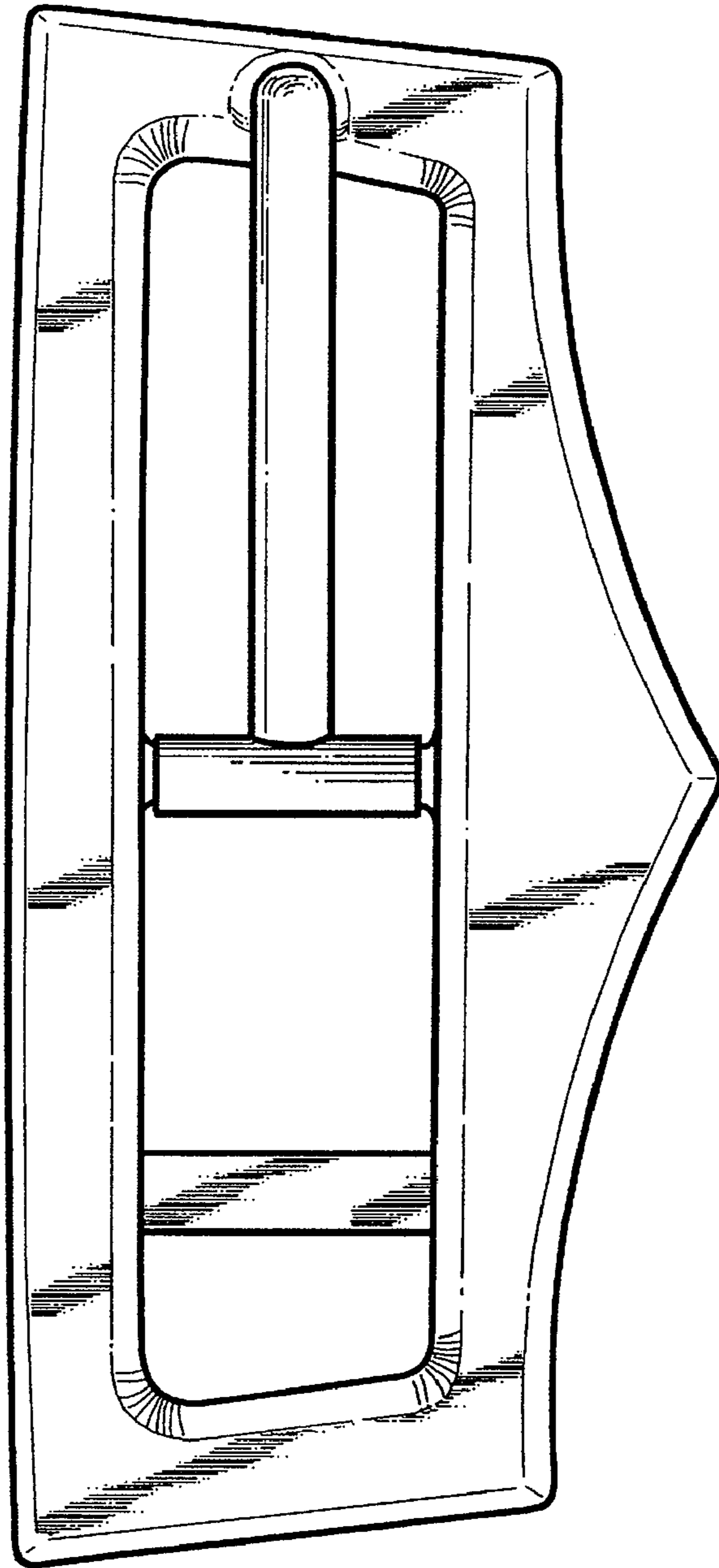


FIG. 2

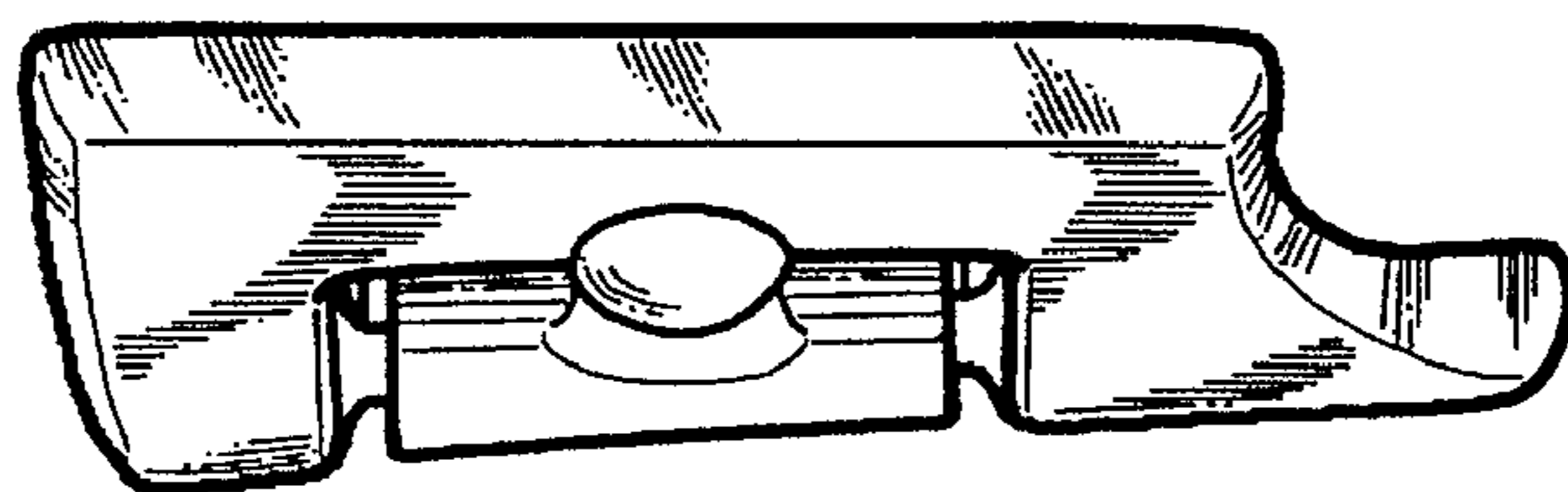


FIG. 1

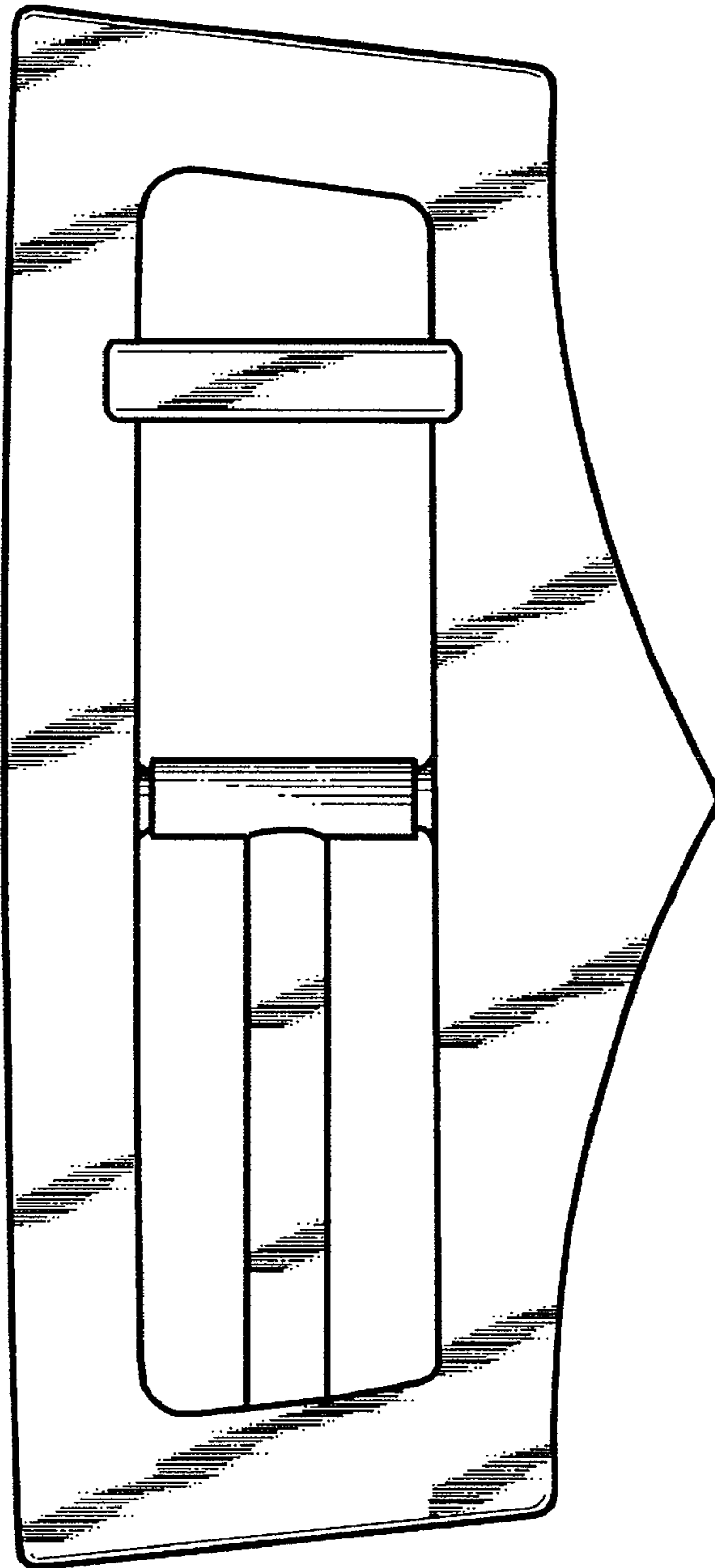


FIG. 4

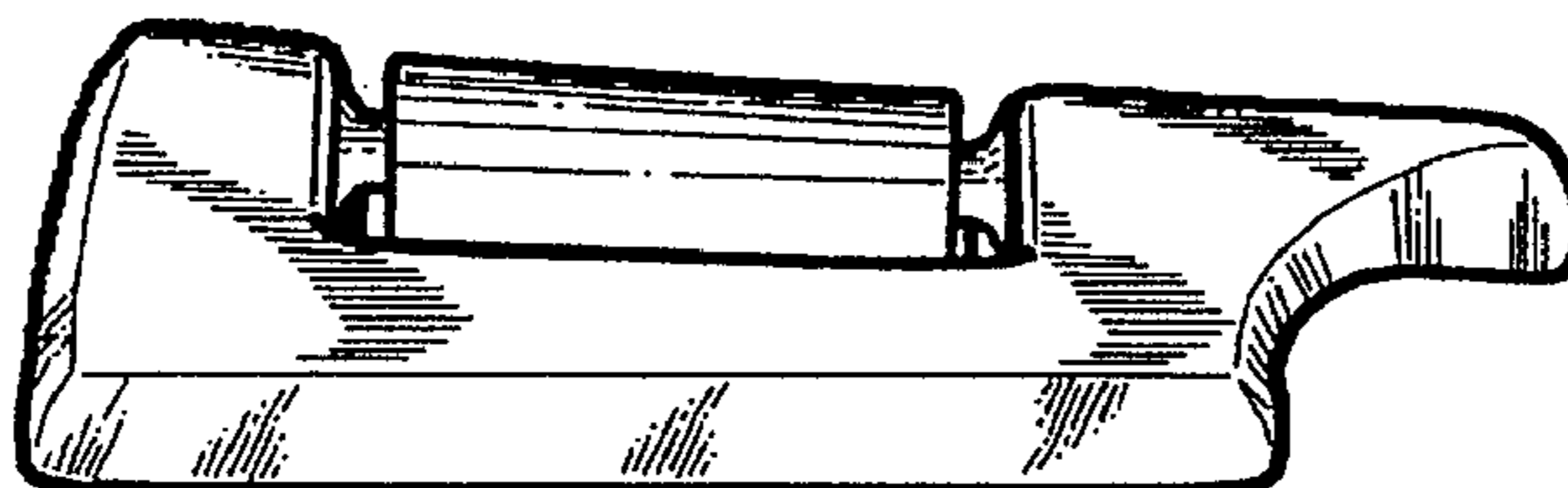


FIG. 3

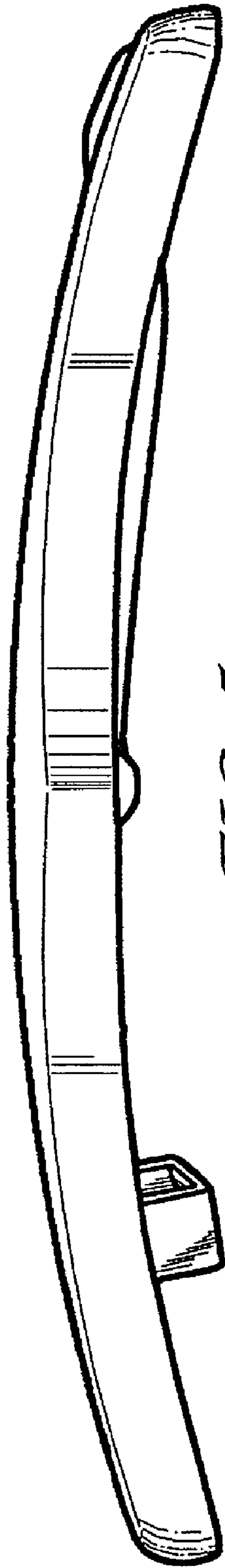


FIG. 5



FIG. 6

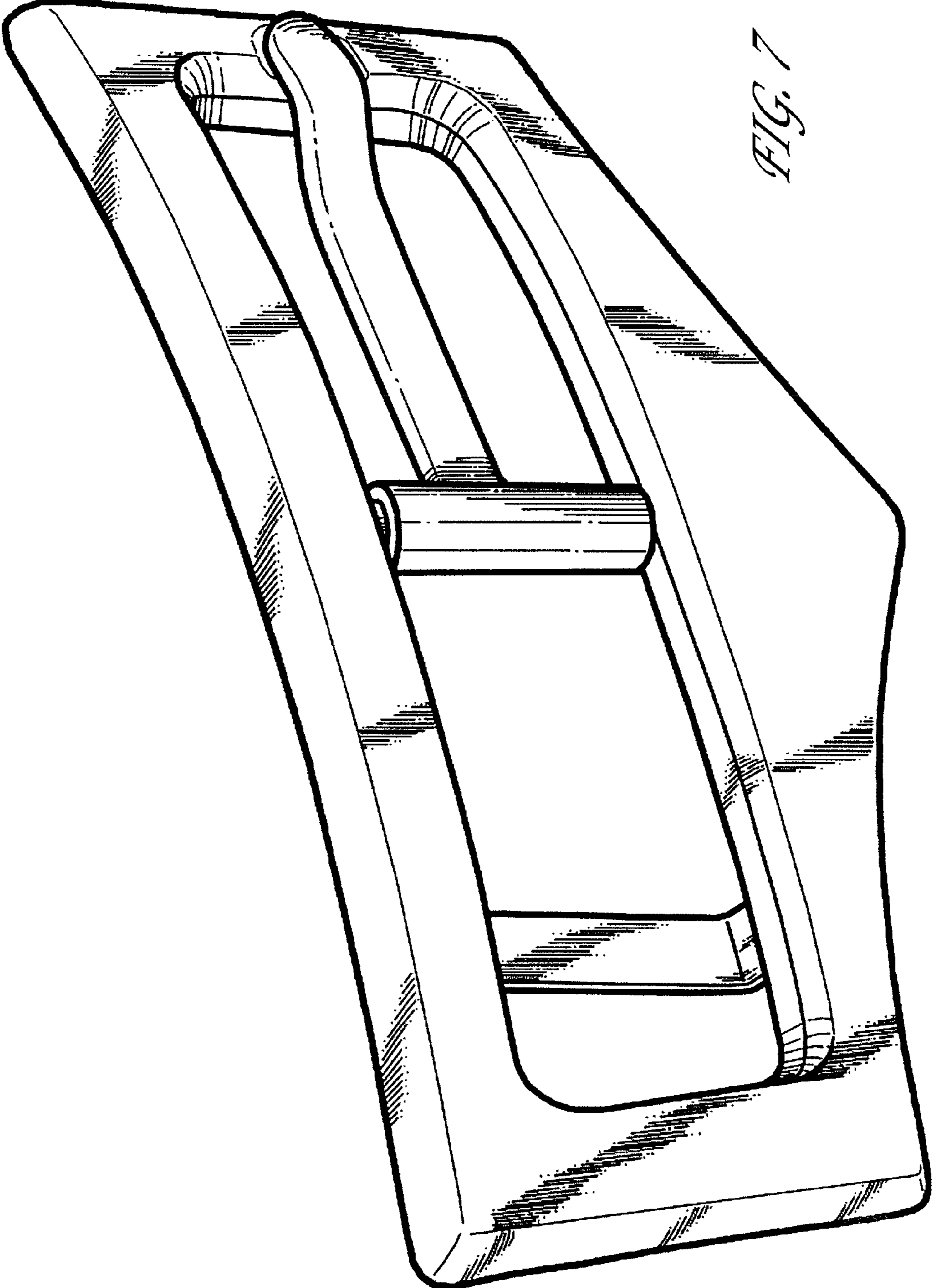


FIG. 7

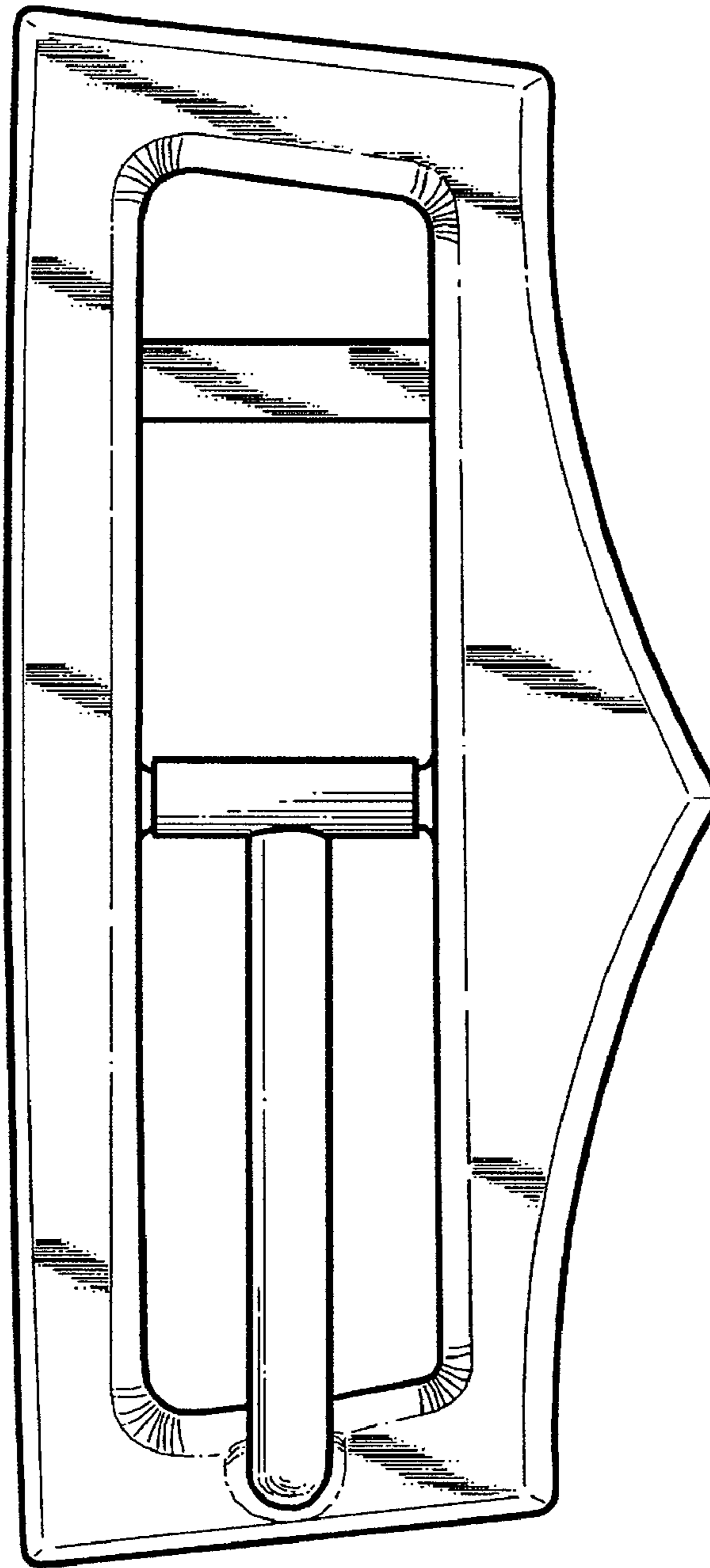


FIG. 9

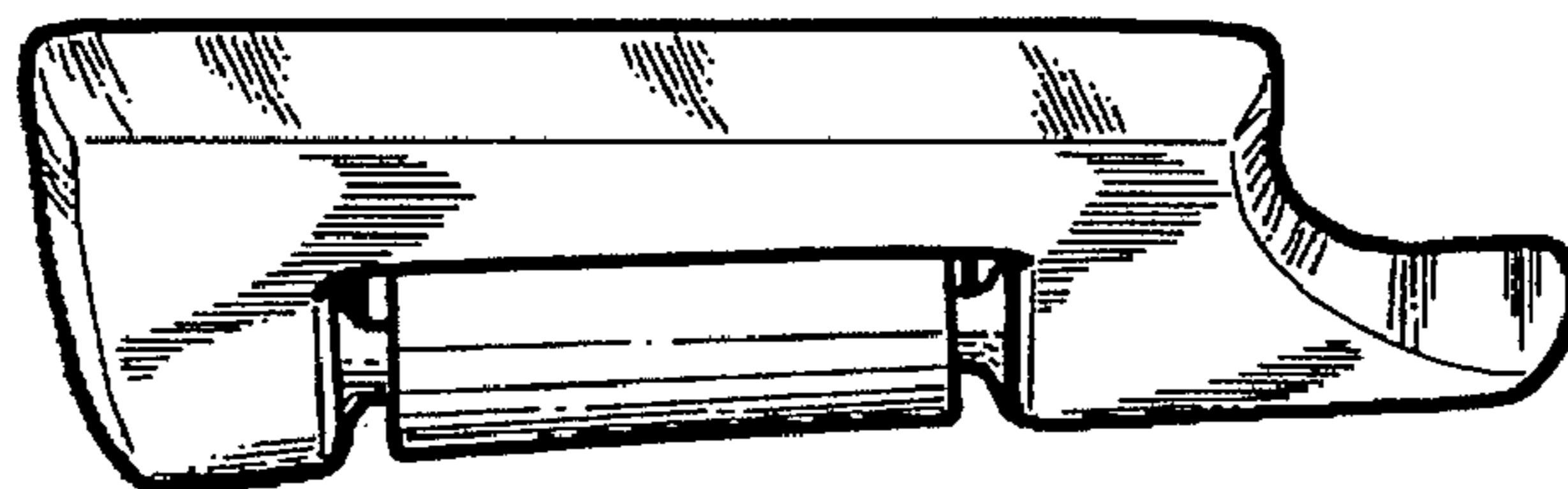


FIG. 8

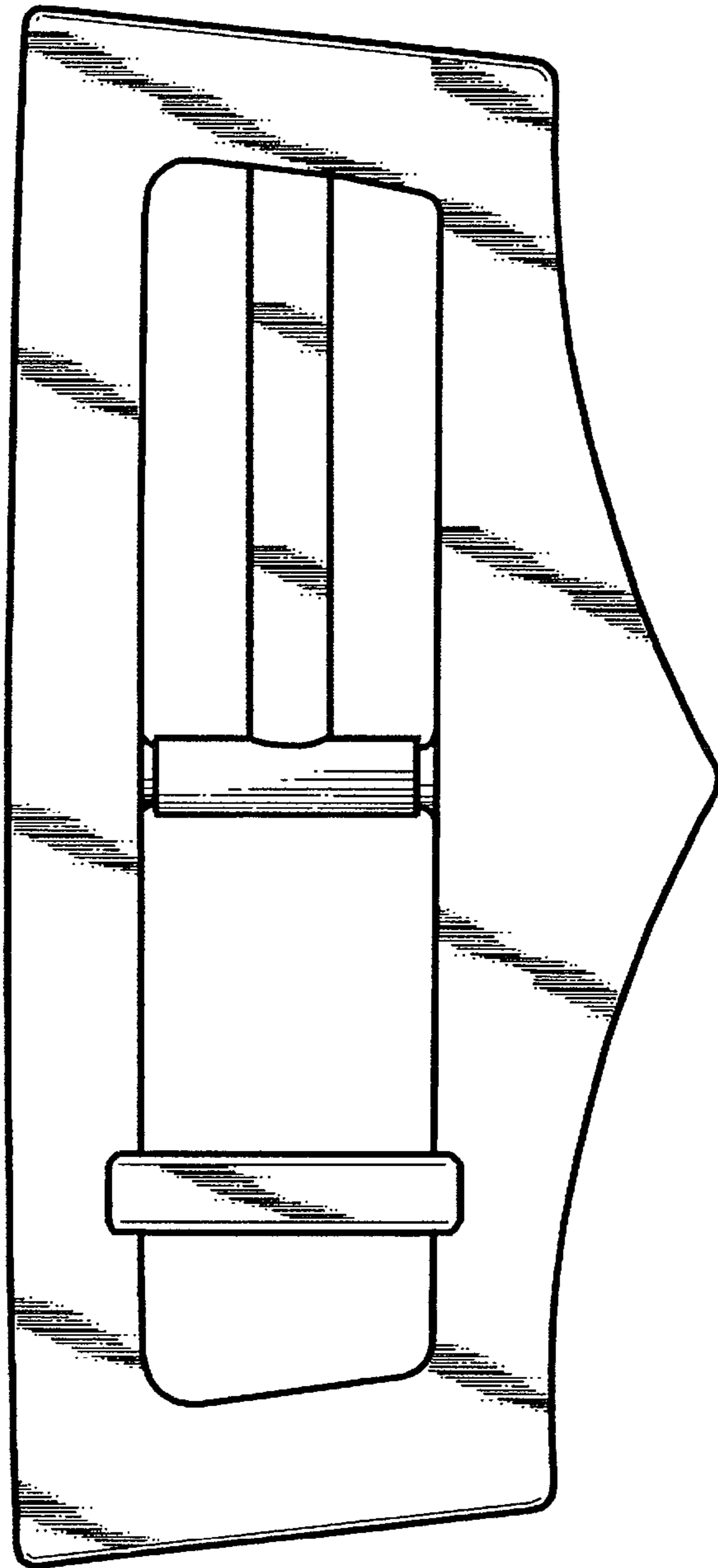


FIG. 11

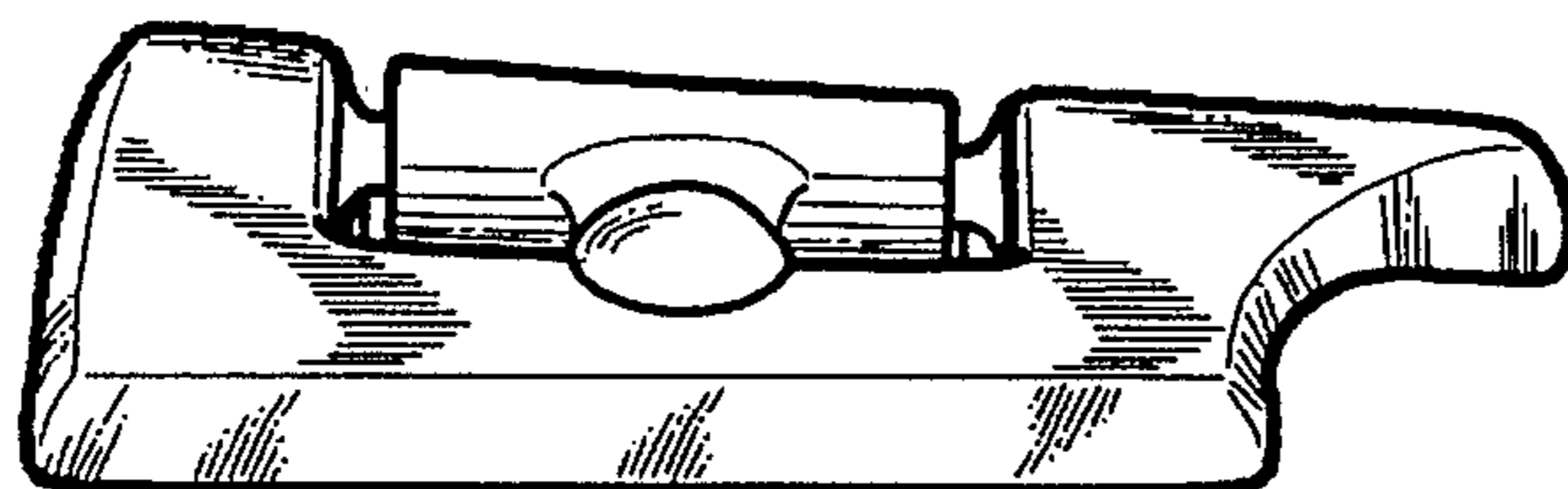


FIG. 10



FIG. 12

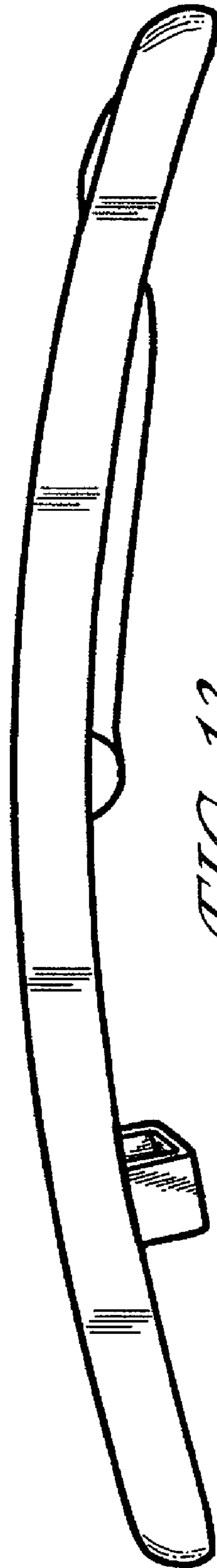


FIG. 13

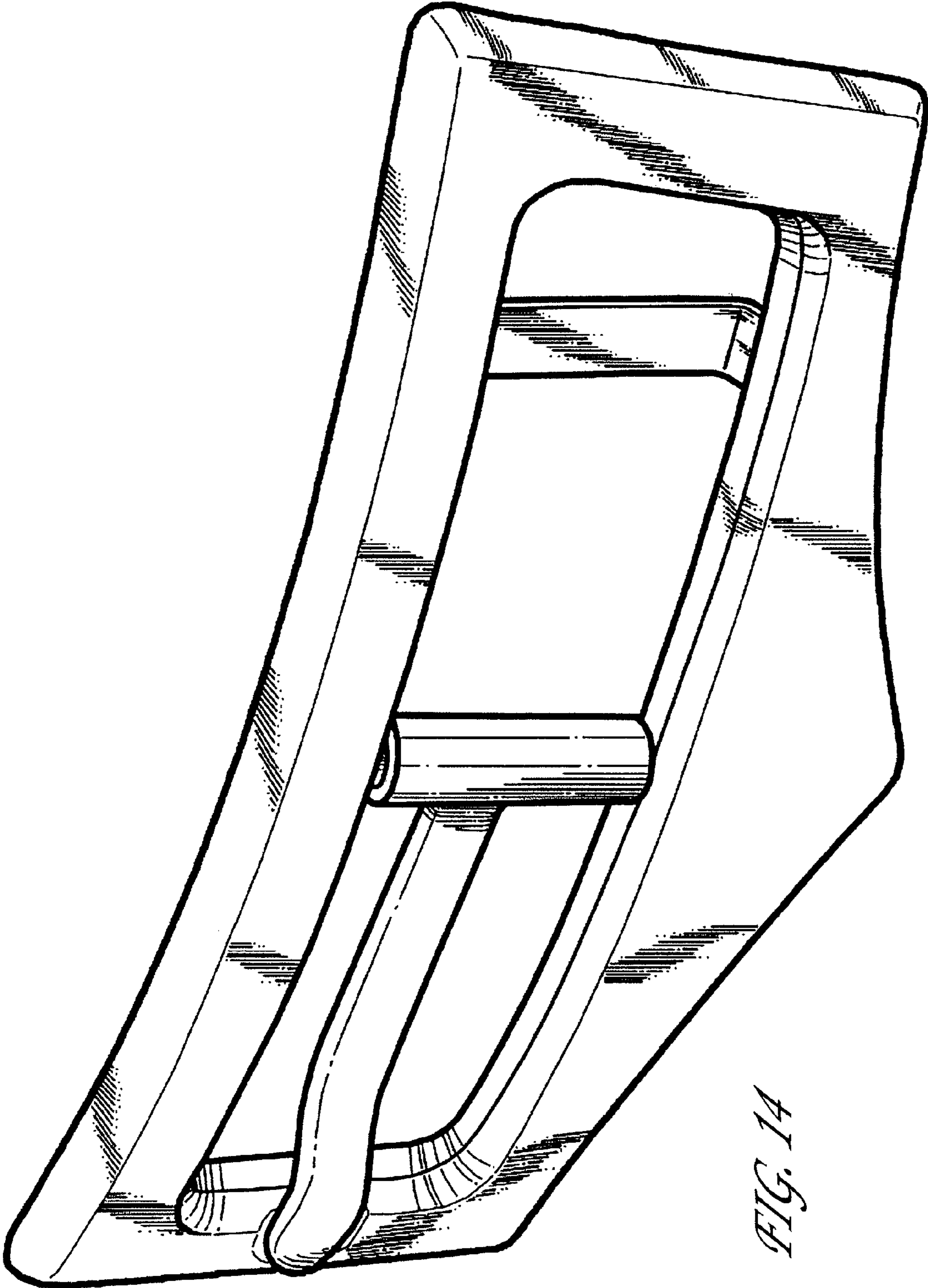


FIG. 14