

US00D571089S

(12) **United States Design Patent**
Centurione et al.

(10) **Patent No.:** **US D571,089 S**
(45) **Date of Patent:** **** Jun. 17, 2008**

(54) **FOOTWEAR OUTSOLE**

(75) Inventors: **Richard Centurione**, Ringwood, NJ
(US); **Richard Riu**, Dongguan (CN)

(73) Assignee: **Sears Brands, LLC**, Hoffman Estates,
IL (US)

(**) Term: **14 Years**

(21) Appl. No.: **29/280,236**

(22) Filed: **May 22, 2007**

(51) **LOC (8) Cl.** **02-04**

(52) **U.S. Cl.** **D2/956; D2/957; D2/958**

(58) **Field of Classification Search** D2/902,
D2/947, 951-955, 957-960; 36/3 B, 22 R,
36/24.5, 25 R, 28, 32 R, 34 R, 67 A, 59 C
See application file for complete search history.

(56) **References Cited**

U.S. PATENT DOCUMENTS

D90,356 S *	7/1933	Brockman	D2/949
D281,459 S *	11/1985	Parker	D2/959
4,760,652 A *	8/1988	Austin	36/30 R
D329,132 S *	9/1992	Ostberg	D2/958
D366,956 S *	2/1996	Gay	D2/961
D445,243 S *	7/2001	Cockrell	D2/957
D457,293 S *	5/2002	Maurer	D2/959
D468,079 S *	1/2003	DeGrand et al.	D2/951
D483,934 S *	12/2003	Adams et al.	D2/959

D494,346 S *	8/2004	Hawkins	D2/952
D531,789 S *	11/2006	Kohastu et al.	D2/959
D549,941 S *	9/2007	Dirsa	D2/957
D552,334 S *	10/2007	Lee	D2/957
D555,339 S *	11/2007	Chang	D2/959
2002/0078598 A1 *	6/2002	Bell	36/59 R

* cited by examiner

Primary Examiner—Celia A. Murphy

(74) *Attorney, Agent, or Firm*—Gary R. Jarosik

(57) **CLAIM**

We claim the ornamental design for a footwear outsole, as shown and described.

DESCRIPTION

FIG. 1 is a bottom perspective view of a footwear outsole showing our new design;

FIG. 2 is a bottom plan view thereof;

FIG. 3 is a front view thereof;

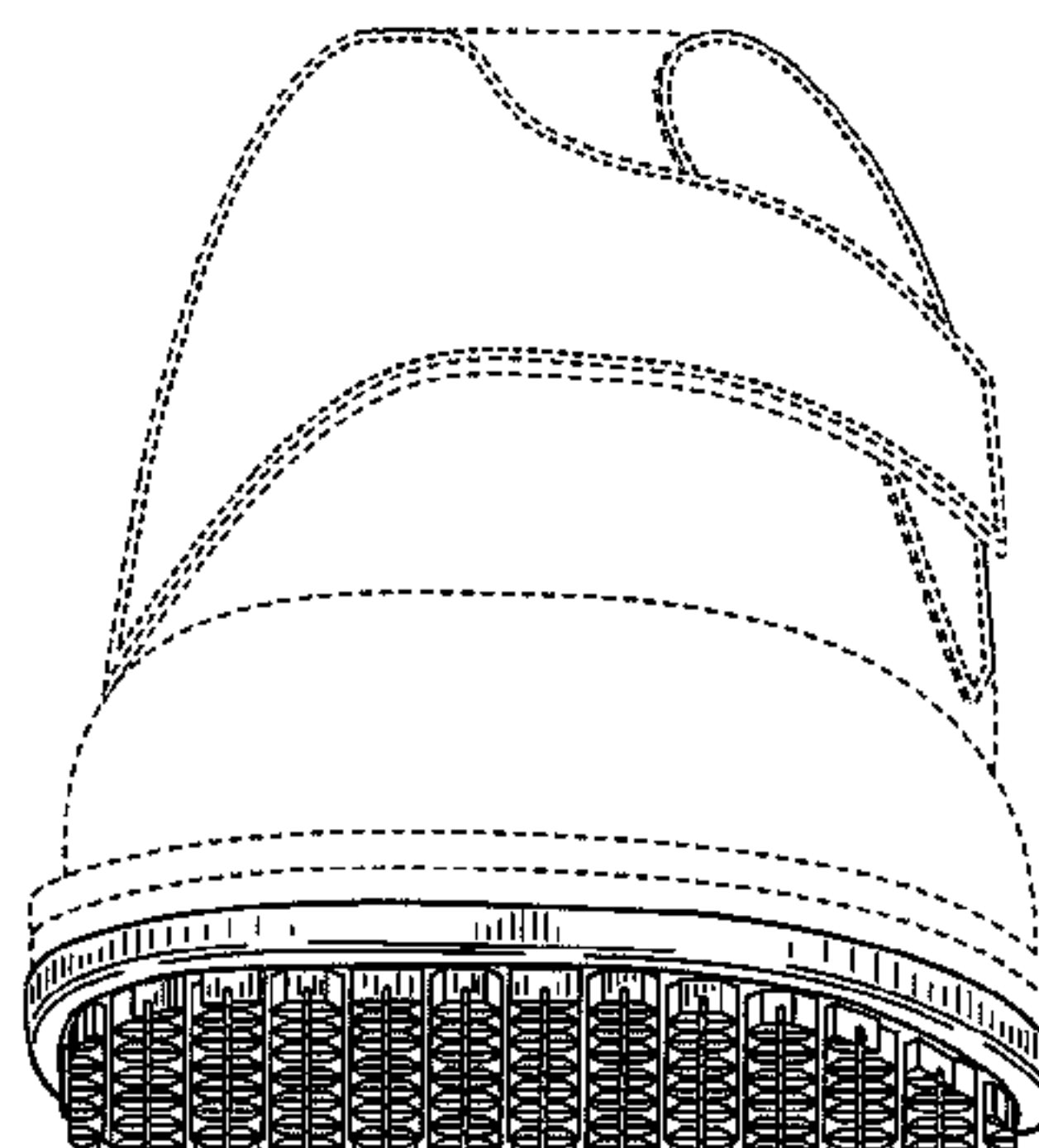
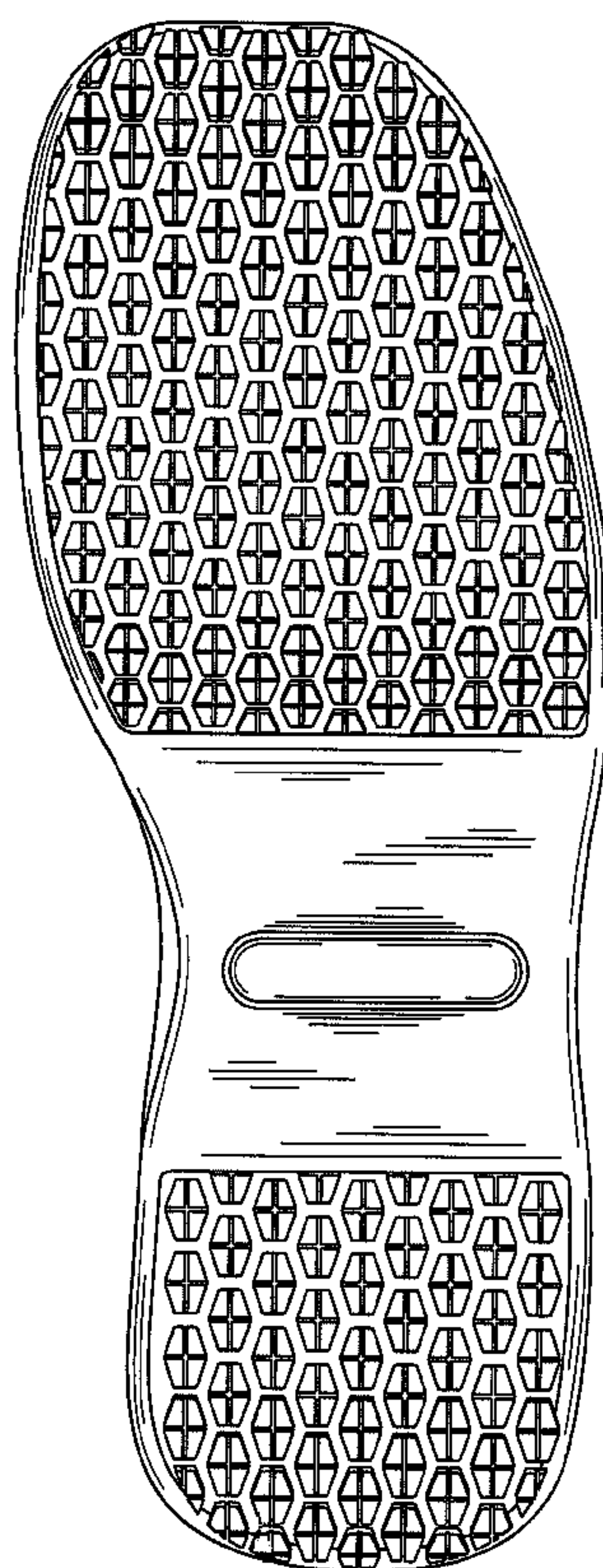
FIG. 4 is a rear view thereof;

FIG. 5 is a right side view thereof; and,

FIG. 6 is a left side view thereof.

The broken lines showing a shoe upper in FIGS. 1-6 illustrate the portion of the design that forms no part of the claim.

1 Claim, 5 Drawing Sheets



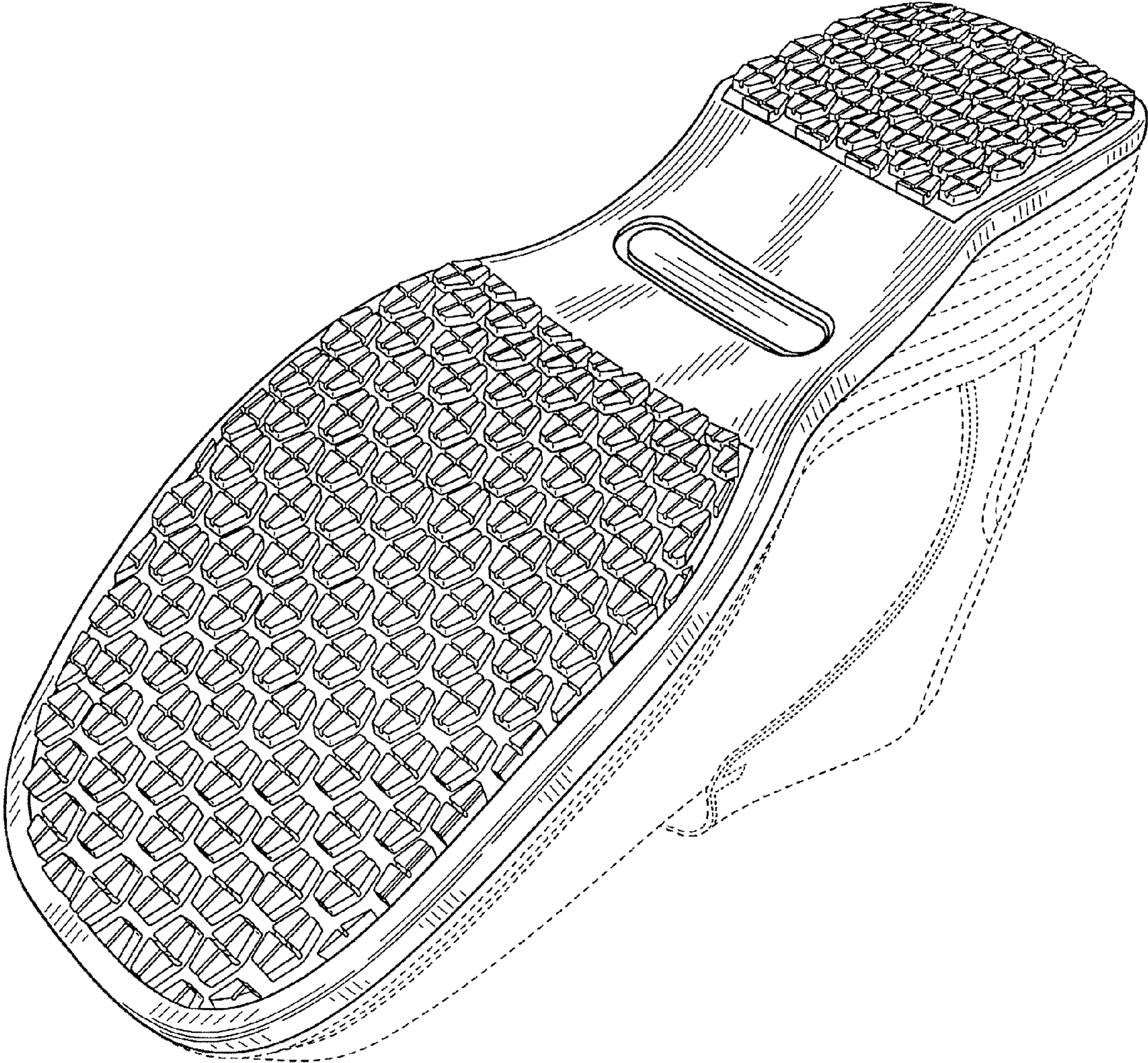


FIG. 1

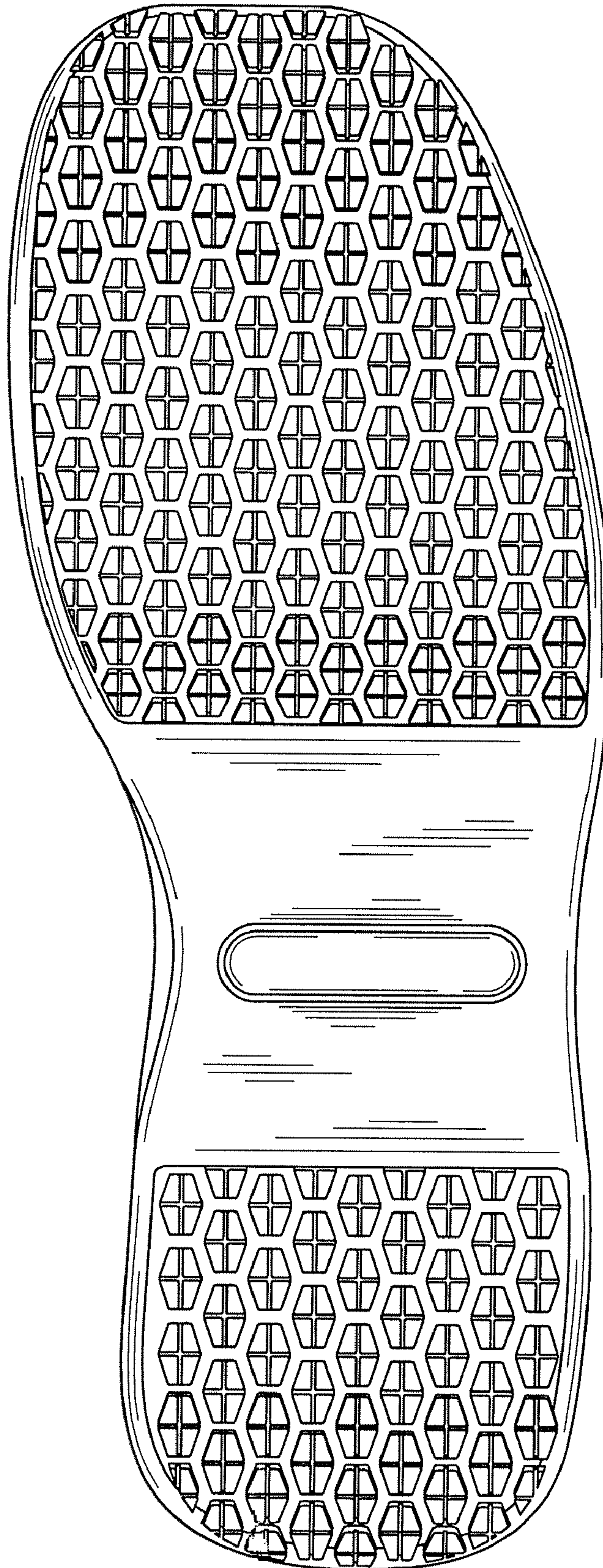


FIG. 2

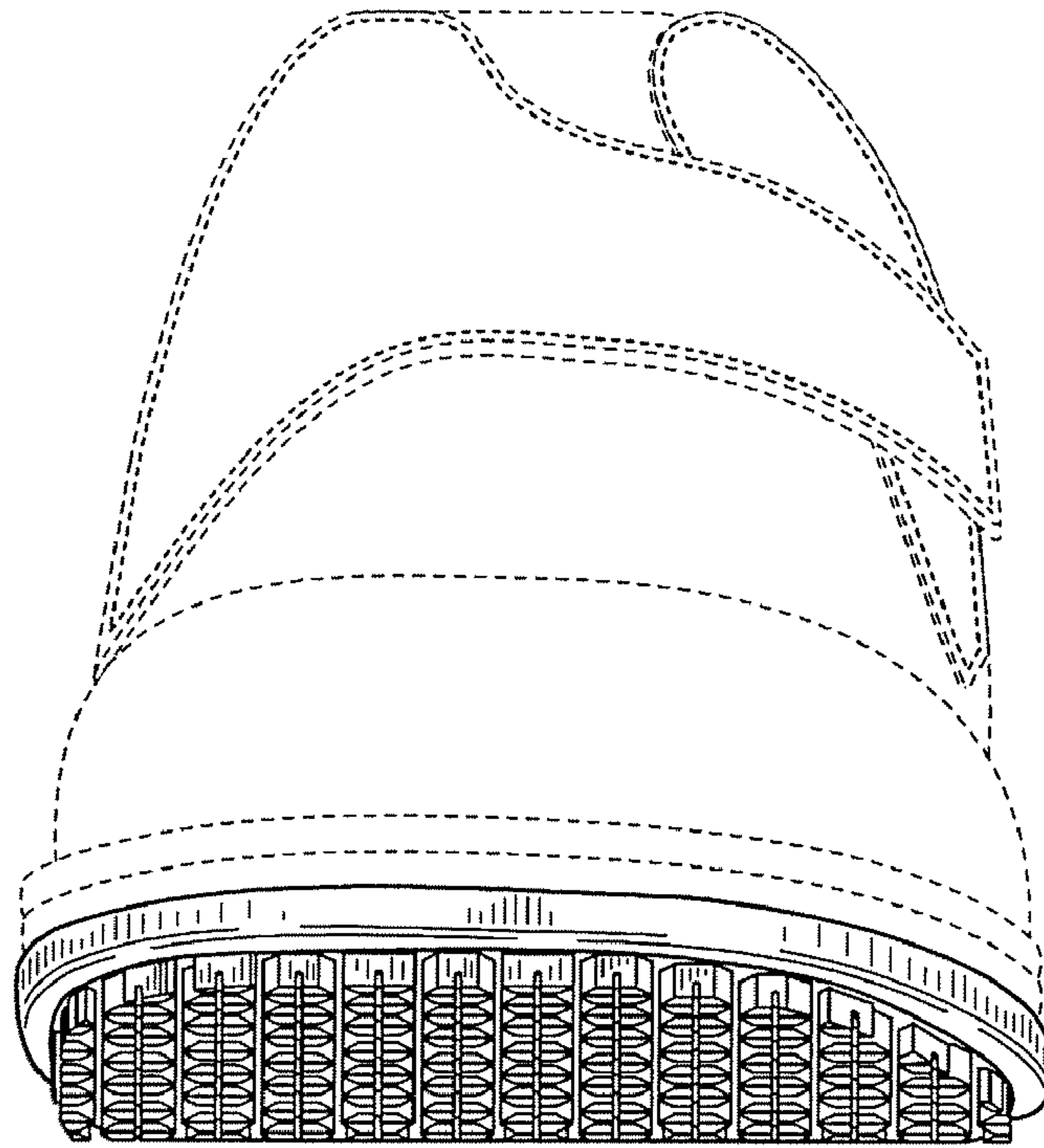


FIG. 3

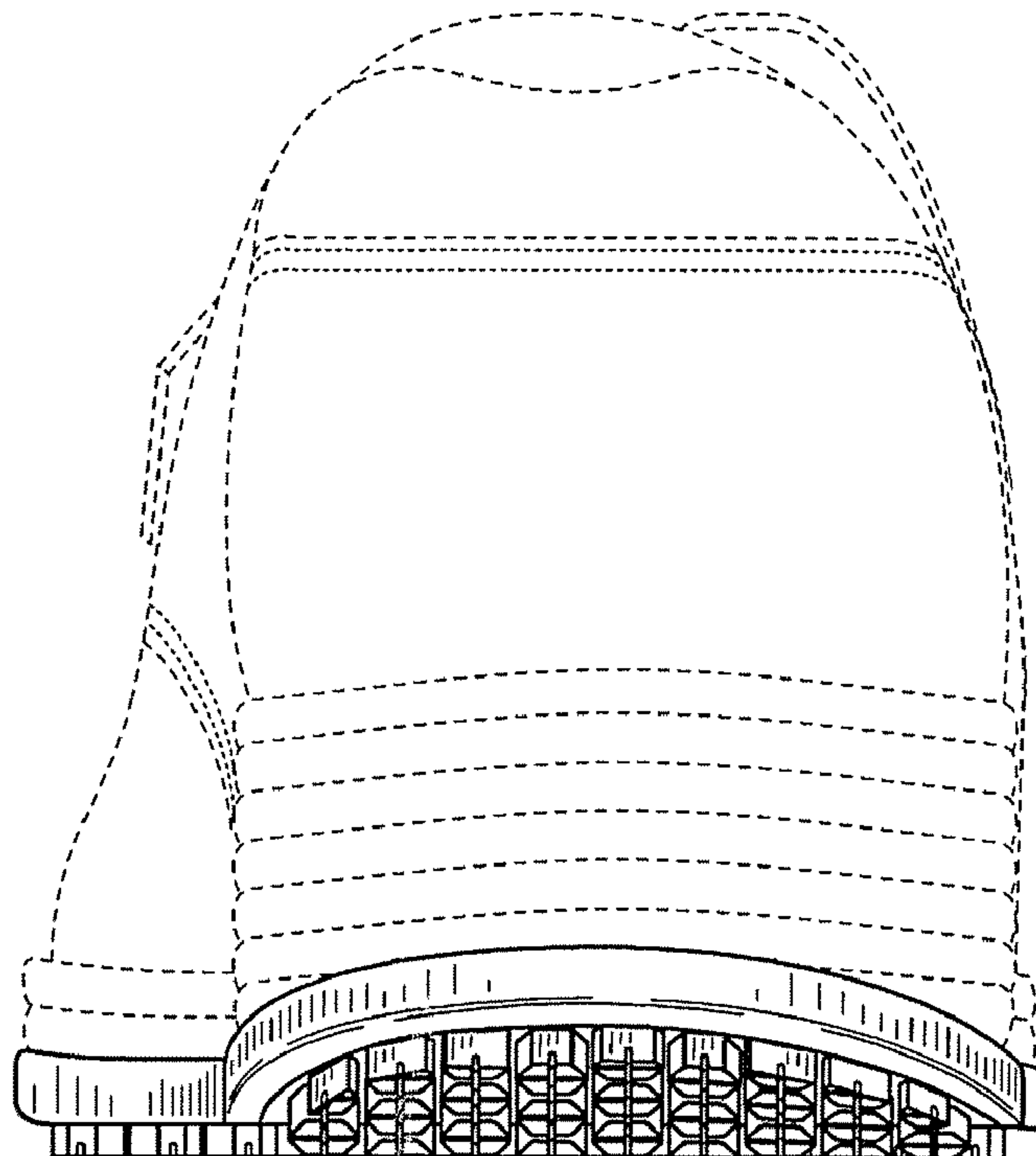


FIG. 4

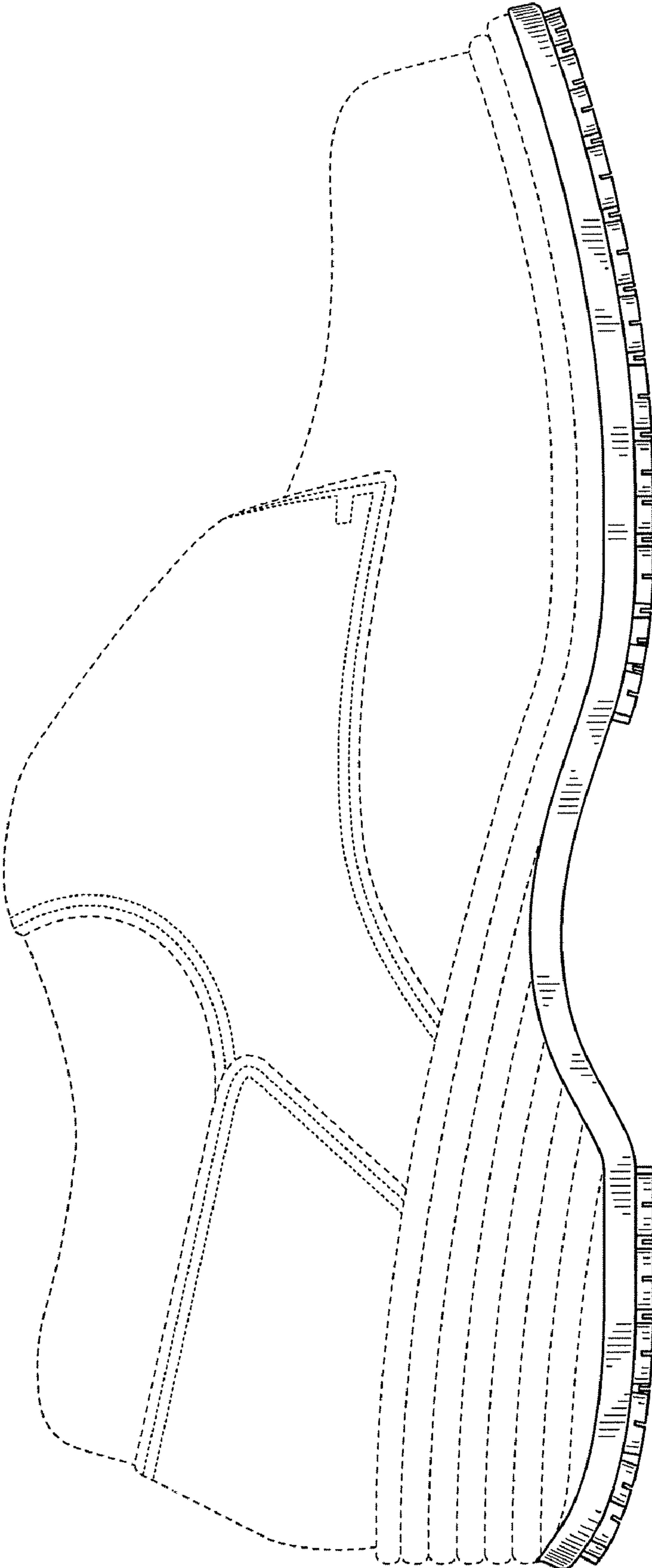


FIG. 5

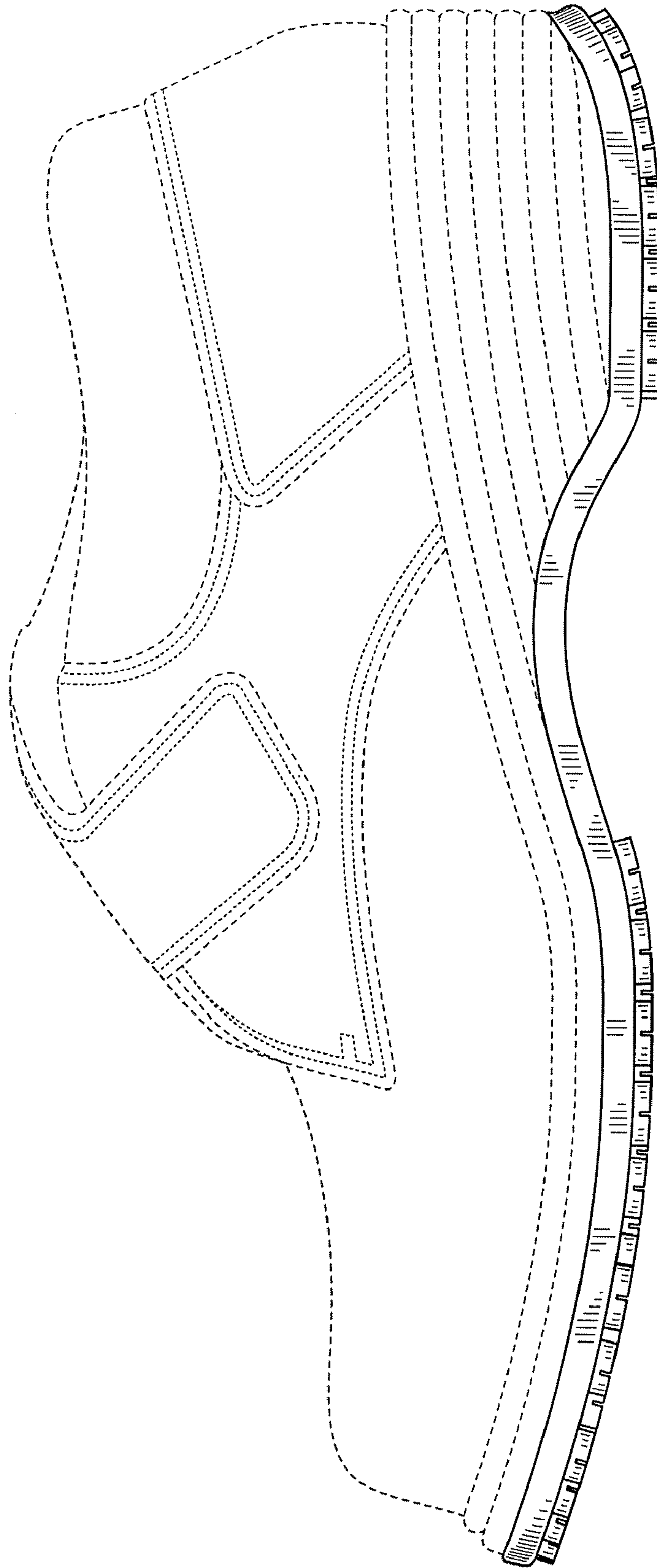


FIG. 6