



US00D571082S

(12) **United States Design Patent**
Kelleghan

(10) **Patent No.:** **US D571,082 S**
(45) **Date of Patent:** **** Jun. 17, 2008**

- (54) **VISOR**
- (75) Inventor: **Brian James Kelleghan**, Longmont, CO (US)
- (73) Assignee: **Bison Designs, LLC**, Longmont, CO (US)
- (**) Term: **14 Years**
- (21) Appl. No.: **29/296,524**
- (22) Filed: **Oct. 23, 2007**
- (51) **LOC (8) Cl.** **02-03**
- (52) **U.S. Cl.** **D2/872**
- (58) **Field of Classification Search** D2/865, D2/866, 871, 872, 873, 875, 876, 879, 882, D2/884, 887, 888, 890, 891, 892, 893, 895; 2/10, 171, 171.1, 171.4, 171.5, 195.1, 195.3, 2/195.6, 200.1, 209.11, 209.12, 209.5, 209.7, 2/909, 246, 247, 249-353; 362/106
See application file for complete search history.

(56) **References Cited**
U.S. PATENT DOCUMENTS

1,390,818	A *	9/1921	Sakagami	2/171.7
D69,439	S *	2/1926	Caradine	D2/875
1,629,062	A *	5/1927	Artau	2/209.7
D135,996	S *	7/1943	Gross	D2/876
D148,351	S *	1/1948	Hamilton	D11/4
2,875,447	A *	3/1959	Godemerstein	2/209.3
3,274,612	A *	9/1966	Merriam	2/421
4,222,125	A *	9/1980	Sewell-Wood	2/195.1
4,286,339	A *	9/1981	Coombs	2/414
D267,752	S *	2/1983	Fairbrother	D2/876
4,534,068	A *	8/1985	Mitchell et al.	2/414
D315,243	S *	3/1991	Ciabattari	D2/879
D366,558	S *	1/1996	Galper et al.	D2/872
5,510,961	A *	4/1996	Peng	362/106
D375,827	S *	11/1996	Will	D2/891
5,845,338	A *	12/1998	Clark	2/195.1
D417,064	S *	11/1999	Gosnell	D2/866
D418,254	S *	12/1999	Egger	D29/102
6,018,821	A *	2/2000	Adams	2/209.11

6,199,213	B1 *	3/2001	Whang	2/181
D459,059	S	6/2002	Park	
D459,861	S	7/2002	Park	
6,560,785	B1 *	5/2003	Taguchi	2/171.1
D482,185	S	11/2003	Park	
6,658,664	B1 *	12/2003	Verhoeven	2/12
6,810,533	B1	11/2004	Nahabedian et al.	
6,837,590	B2 *	1/2005	Marston	362/103
D501,705	S *	2/2005	Hathaway	D2/893
D514,282	S *	2/2006	Broome	D2/876
D527,870	S	9/2006	Kim	
D527,871	S *	9/2006	Rogers	D2/882
D529,748	S *	10/2006	Park	D2/876
D535,460	S *	1/2007	Ortley et al.	D2/882

(Continued)

Primary Examiner—Elizabeth A. Albert
Assistant Examiner—Karen E Eldridge Powers
(74) *Attorney, Agent, or Firm*—Margaret Polson; Patent Law Offices of Rick Martin, P.C.

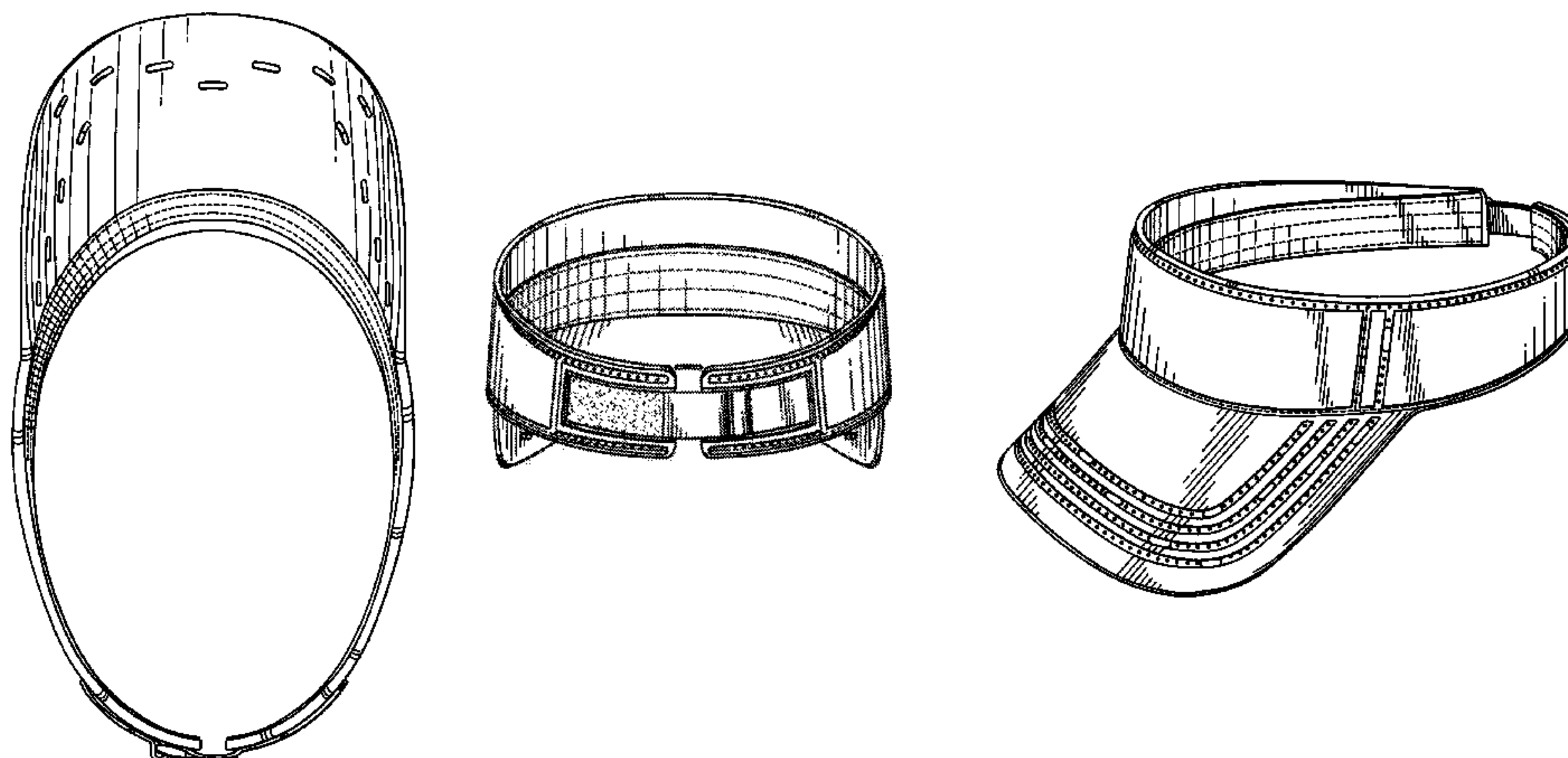
(57) **CLAIM**

The ornamental design for visor, as shown and described.

DESCRIPTION

FIG. 1 is a top plan view of my new design for a visor with the dotted lines showing stitching, which is part of the claimed design.
FIG. 2 is a bottom plan view of FIG. 1.
FIG. 3 is a right side elevation view of FIG. 1.
FIG. 4 is a left side elevation view of FIG. 1.
FIG. 5 is a front side elevation view of FIG. 1.
FIG. 6 is a back side elevation view of FIG. 1; and,
FIG. 7 is a top perspective view of FIG. 1.
The broken lines showing four rows of stitching on the interior headband and a single line of stitching at the base of the crown are part of the claimed design.

1 Claim, 3 Drawing Sheets



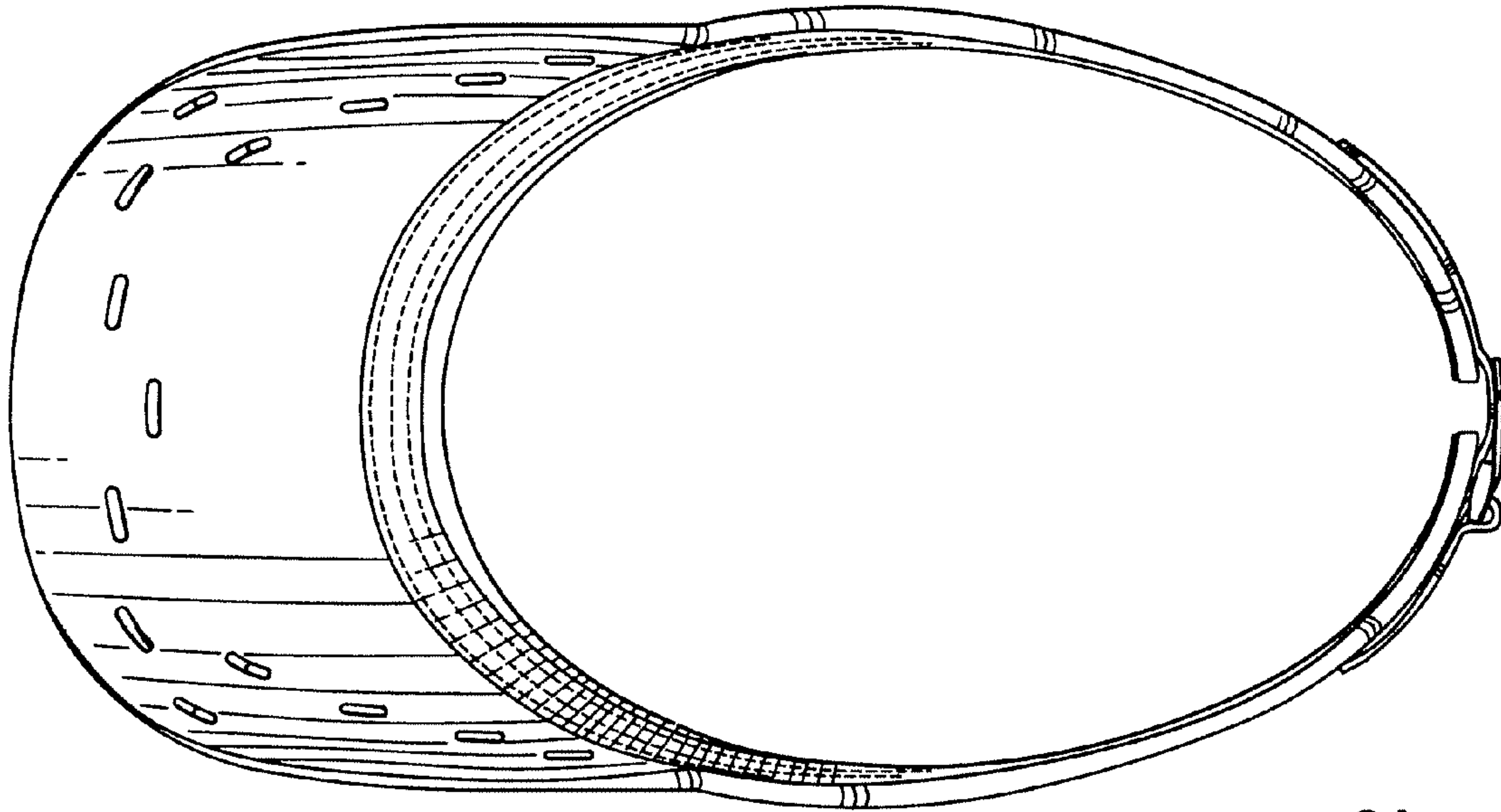


FIG. 2

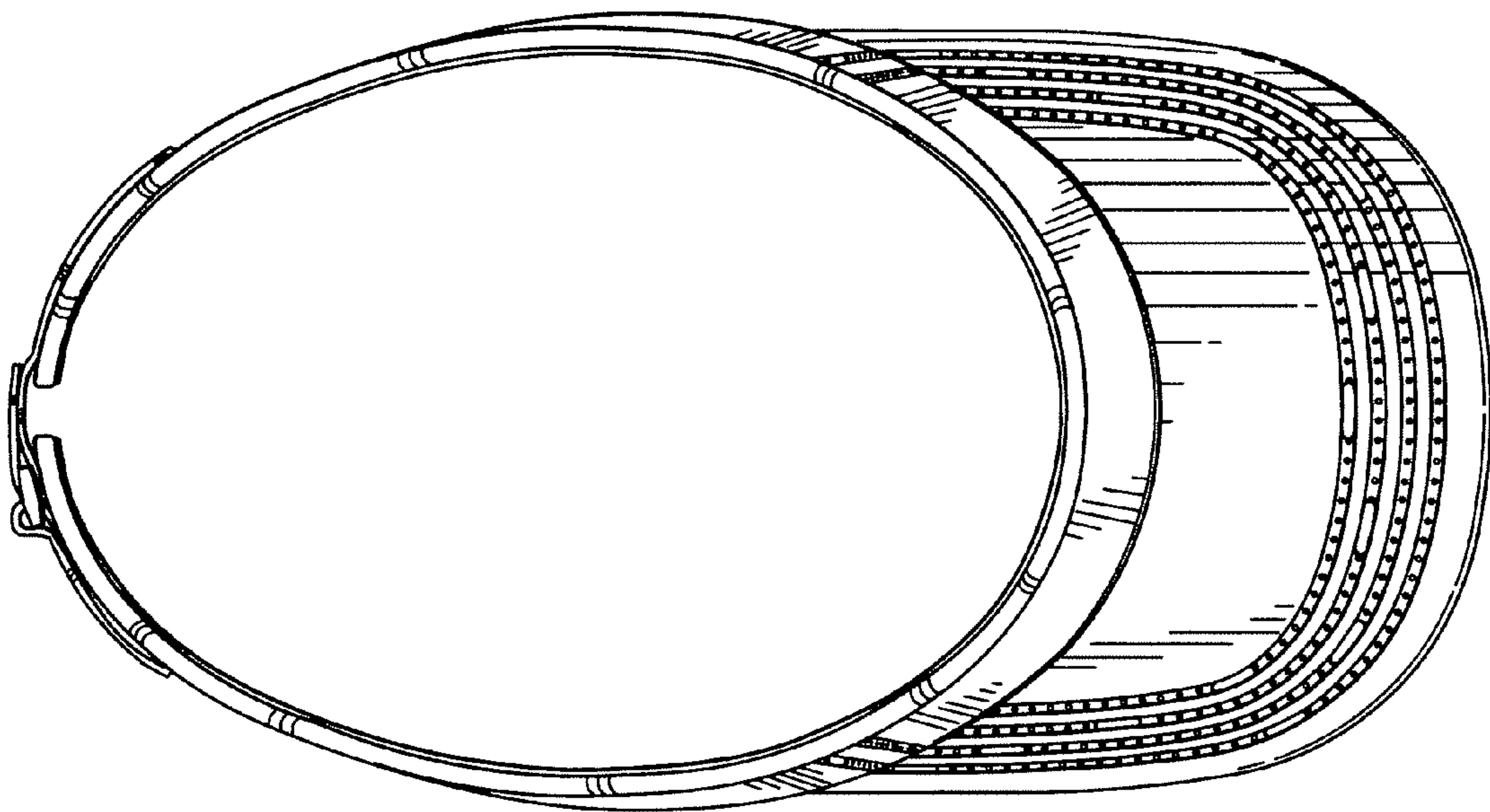


FIG. 1

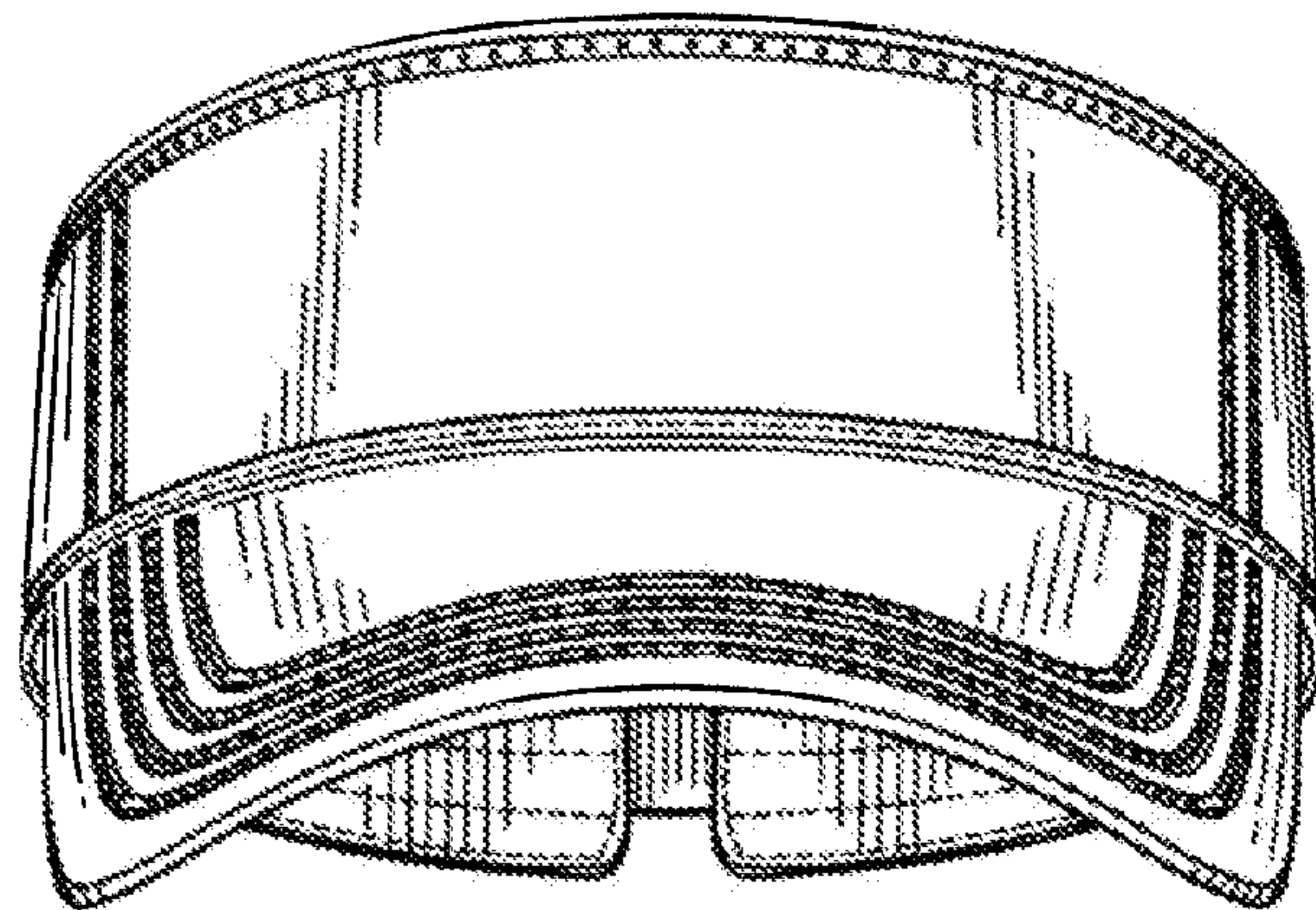
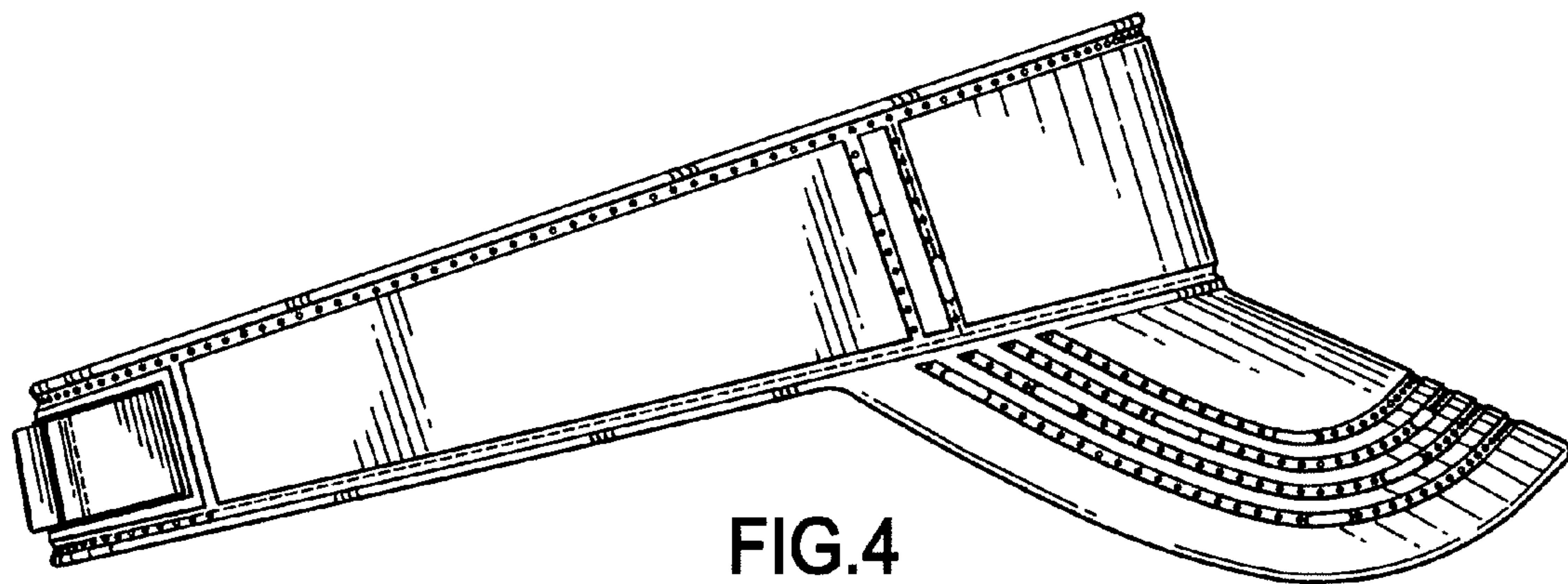
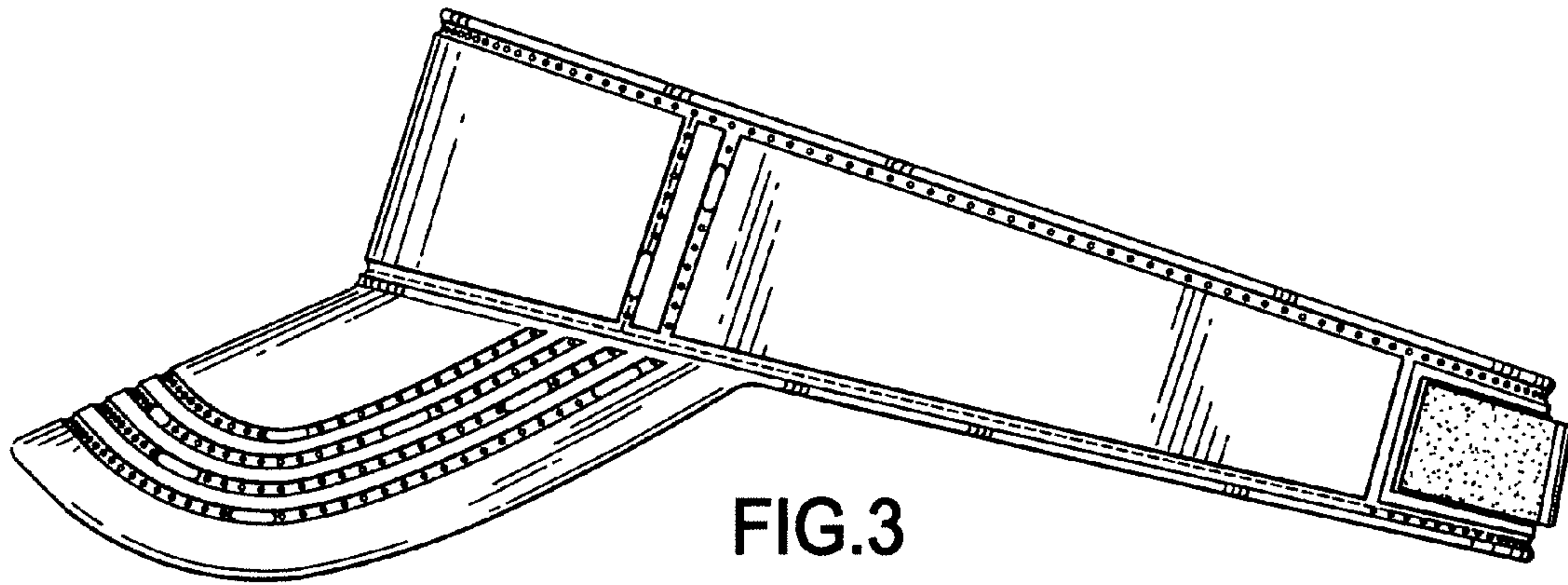


FIG. 5

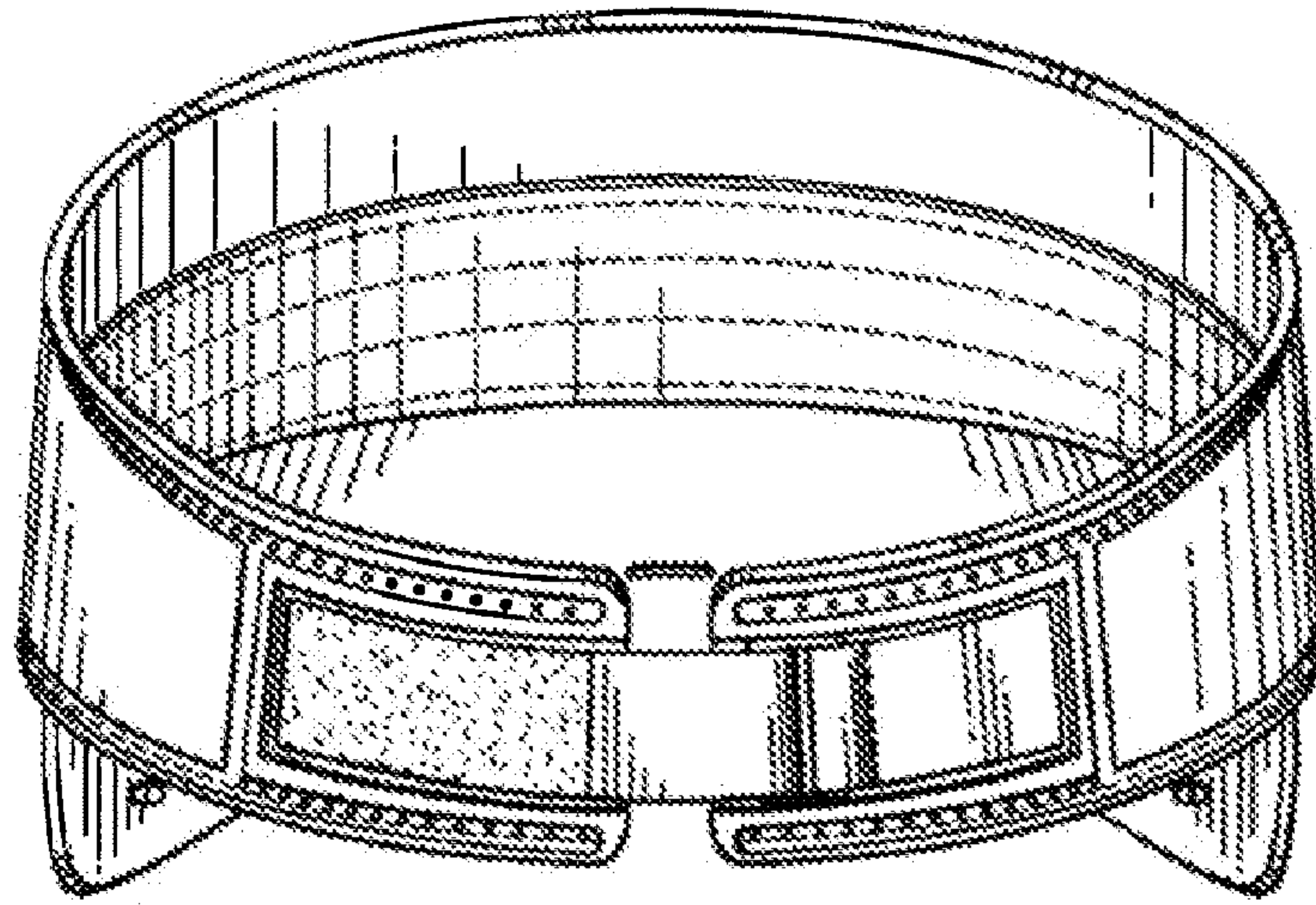


FIG. 6

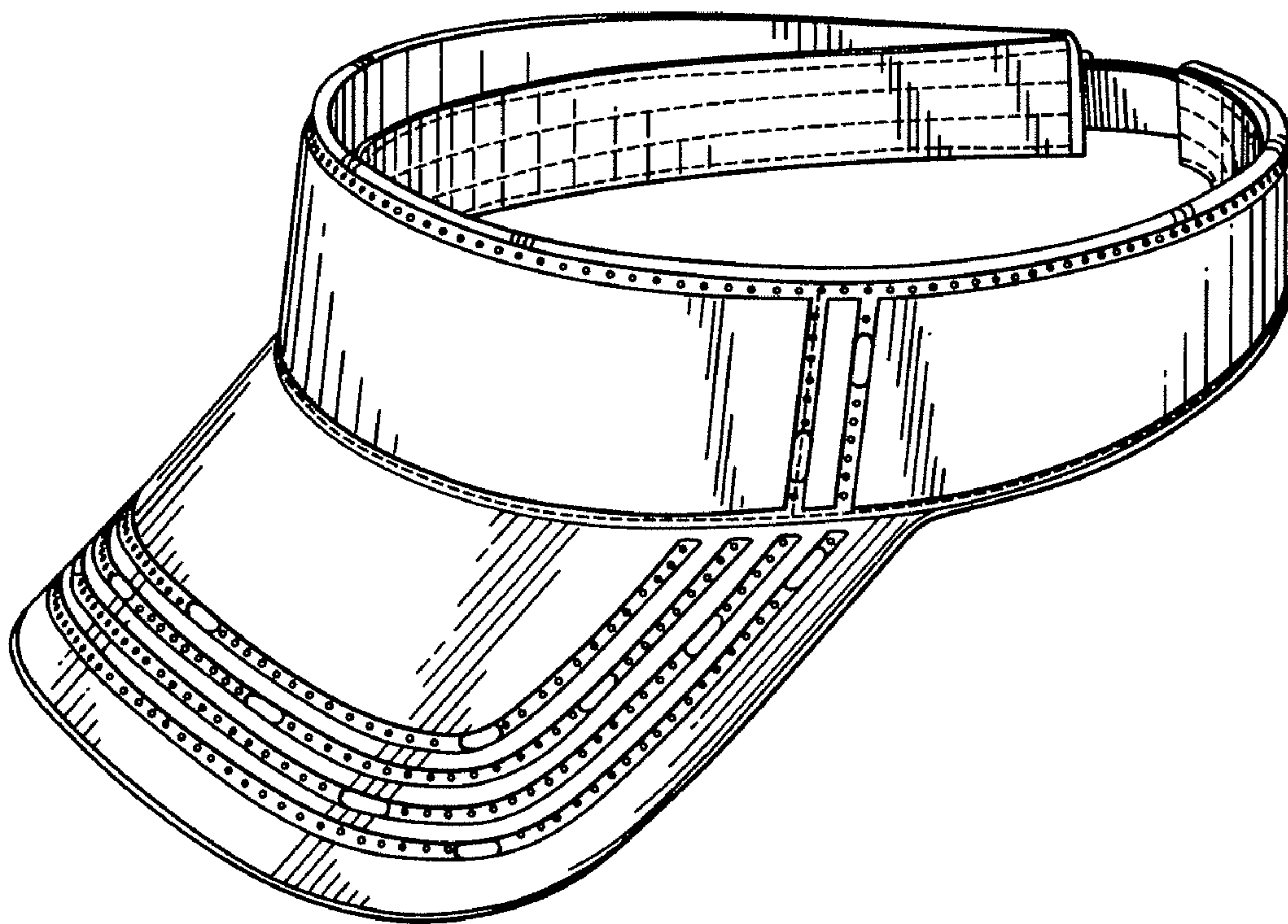


FIG. 7