



US00D571081S

(12) **United States Design Patent**
Galvan

(10) **Patent No.:** **US D571,081 S**
(45) **Date of Patent:** **** Jun. 17, 2008**

(54) **BODY SHIRT**

(76) Inventor: **Petra Galvan**, 11006 Oakview Dr.,
Balch Springs, TX (US) 75180

(**) Term: **14 Years**

(21) Appl. No.: **29/275,678**

(22) Filed: **Jan. 3, 2007**

Related U.S. Application Data

(63) Continuation-in-part of application No. 29/251,053,
filed on Jan. 4, 2006, now abandoned.

(51) **LOC (8) Cl.** **02-02**

(52) **U.S. Cl.** **D2/841**

(58) **Field of Classification Search** D2/700,
D2/712, 714, 715, 717, 840, 844, 847; 2/69,
2/69.5, 71, 77, 105, 106, 113-115
See application file for complete search history.

(56) **References Cited**

U.S. PATENT DOCUMENTS

1,276,631	A *	8/1918	Fields	2/77
1,887,926	A *	11/1932	Fox	2/77
1,972,795	A *	9/1934	Rieffannacht	2/67
2,018,666	A *	10/1935	Flesh	2/77
2,062,185	A *	11/1936	McKinney	2/115
D107,483	S *	12/1937	Haight	D2/731
2,106,553	A *	1/1938	Le Coney	2/78.2
2,132,610	A	10/1938	Ellinger		
2,164,683	A *	7/1939	Kessler	2/70

2,734,194	A *	2/1956	Colvin	2/80
2,789,290	A *	4/1957	Mayer	2/77
3,840,900	A	10/1974	Cruz		
5,033,121	A	7/1991	Larsen		
5,625,898	A *	5/1997	Telega	2/79
D392,789	S	3/1998	Kadel		
5,911,312	A *	6/1999	Holyfield	2/69
D512,205	S *	12/2005	Alexander et al.	D2/841

FOREIGN PATENT DOCUMENTS

GB 2106371 * 12/2001

* cited by examiner

Primary Examiner—Stella M. Reid
Assistant Examiner—Rashida Johnson

(57) **CLAIM**

The ornamental design for a body shirt, as shown and described.

DESCRIPTION

FIG. 1 is a front elevational view of a body shirt showing my new design;

FIG. 2 is a rear elevational view thereof;

FIG. 3 is a left side elevational view thereof;

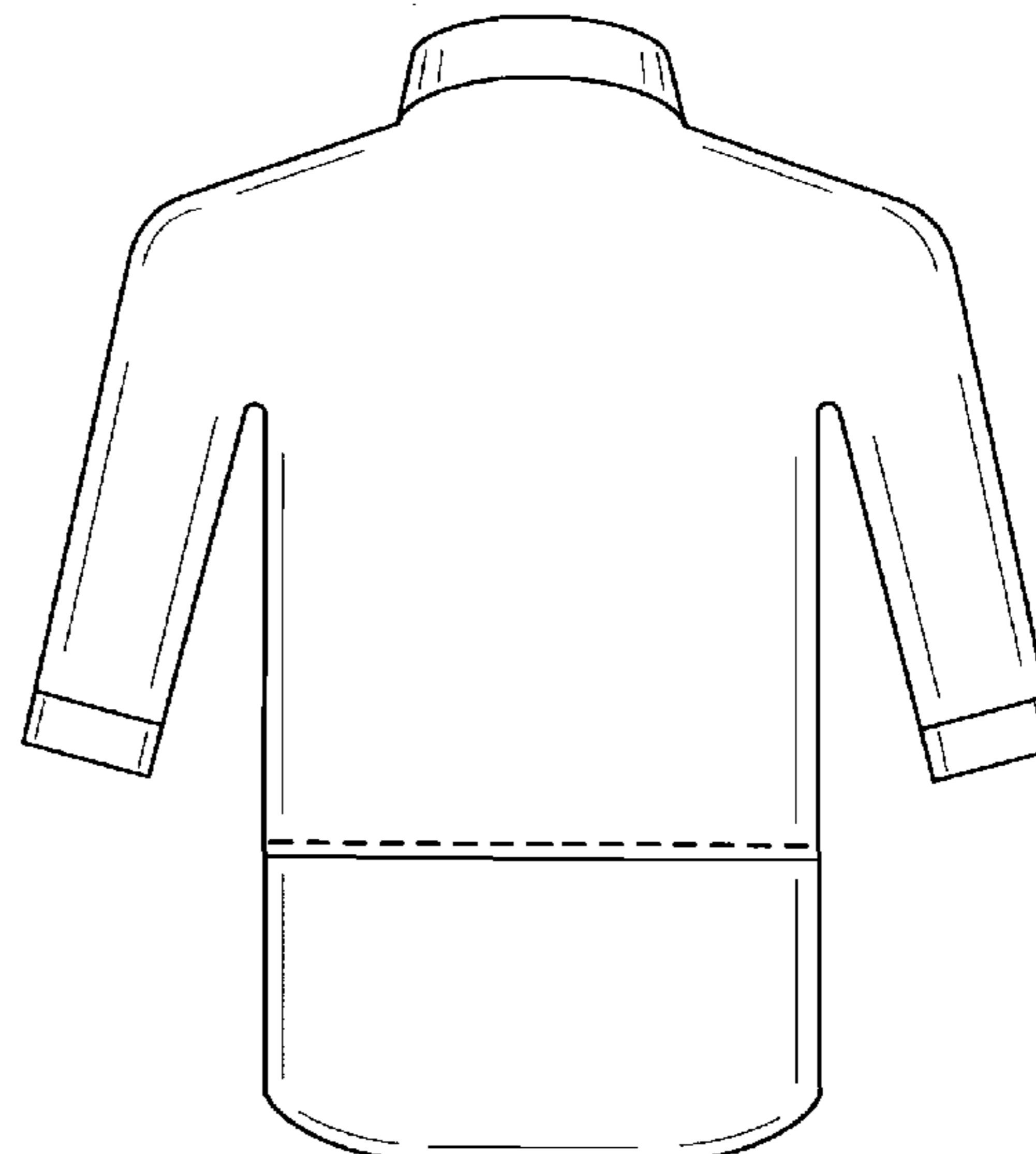
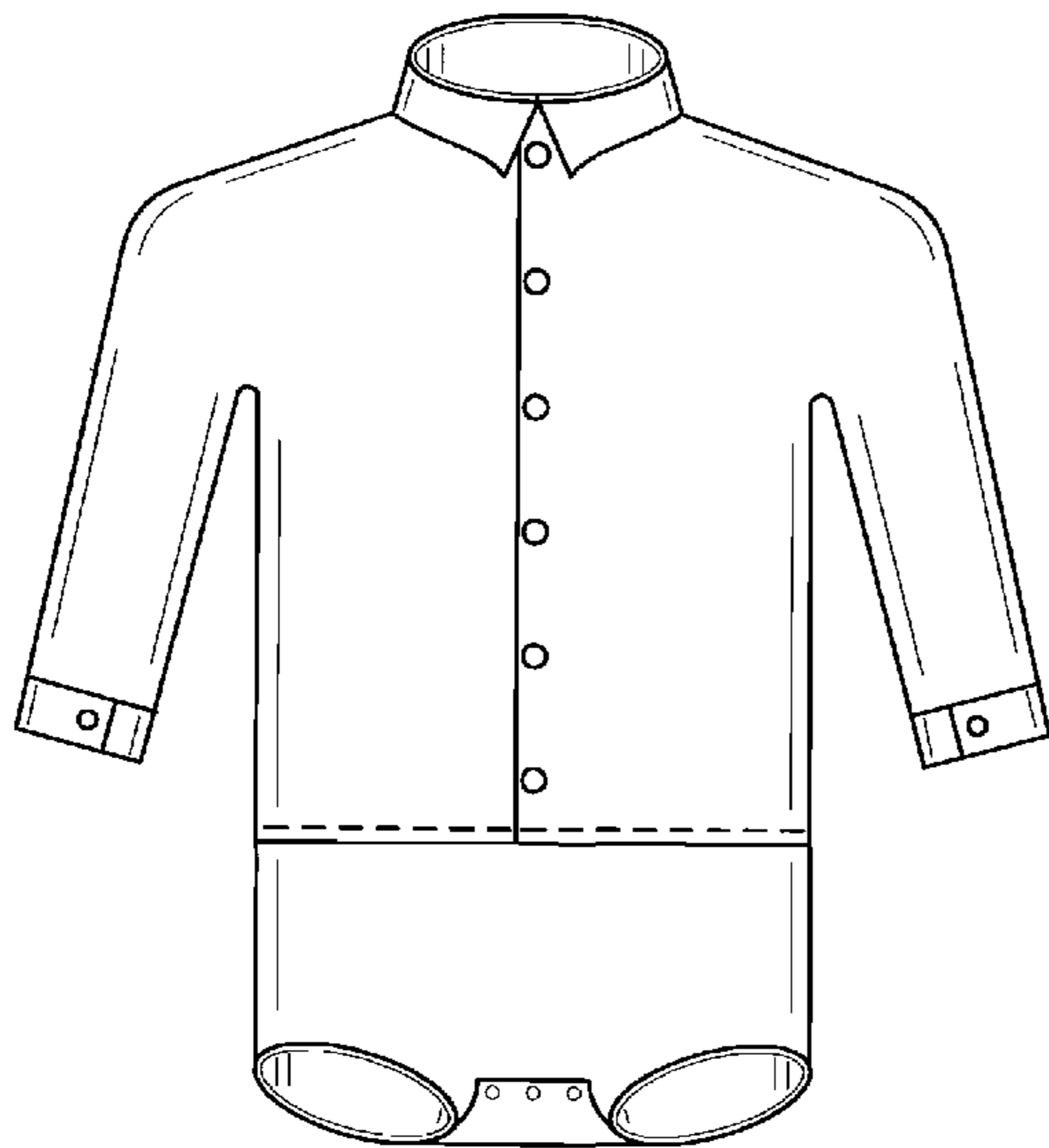
FIG. 4 is a right side elevational view thereof;

FIG. 5 is a top plan view thereof; and,

FIG. 6 is a bottom plan view thereof.

The broken lines shown in FIGS. 1, 2 3 and 4 are for illustrative purposes and form no part of the claimed design.

1 Claim, 3 Drawing Sheets



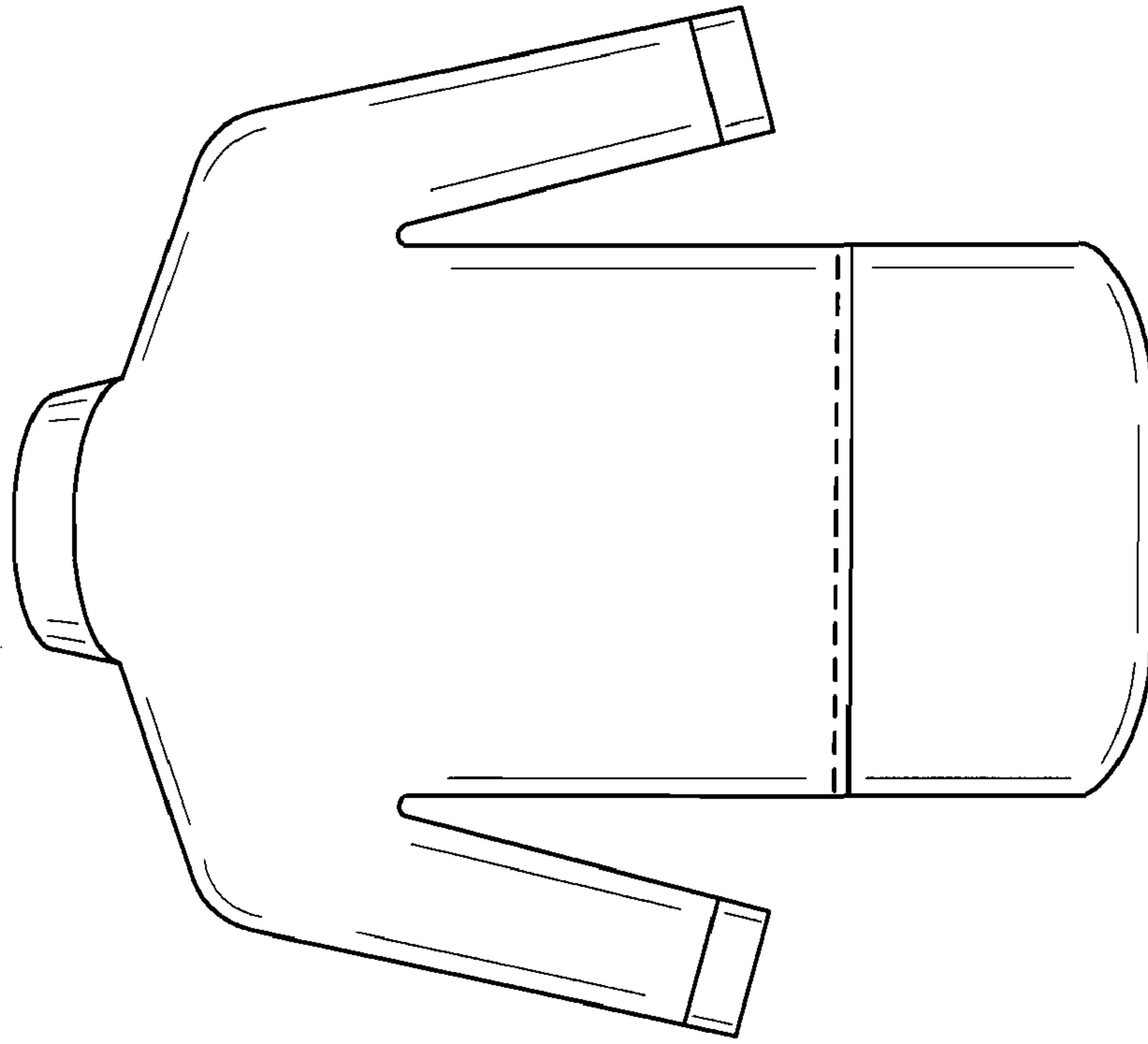


FIG. 2

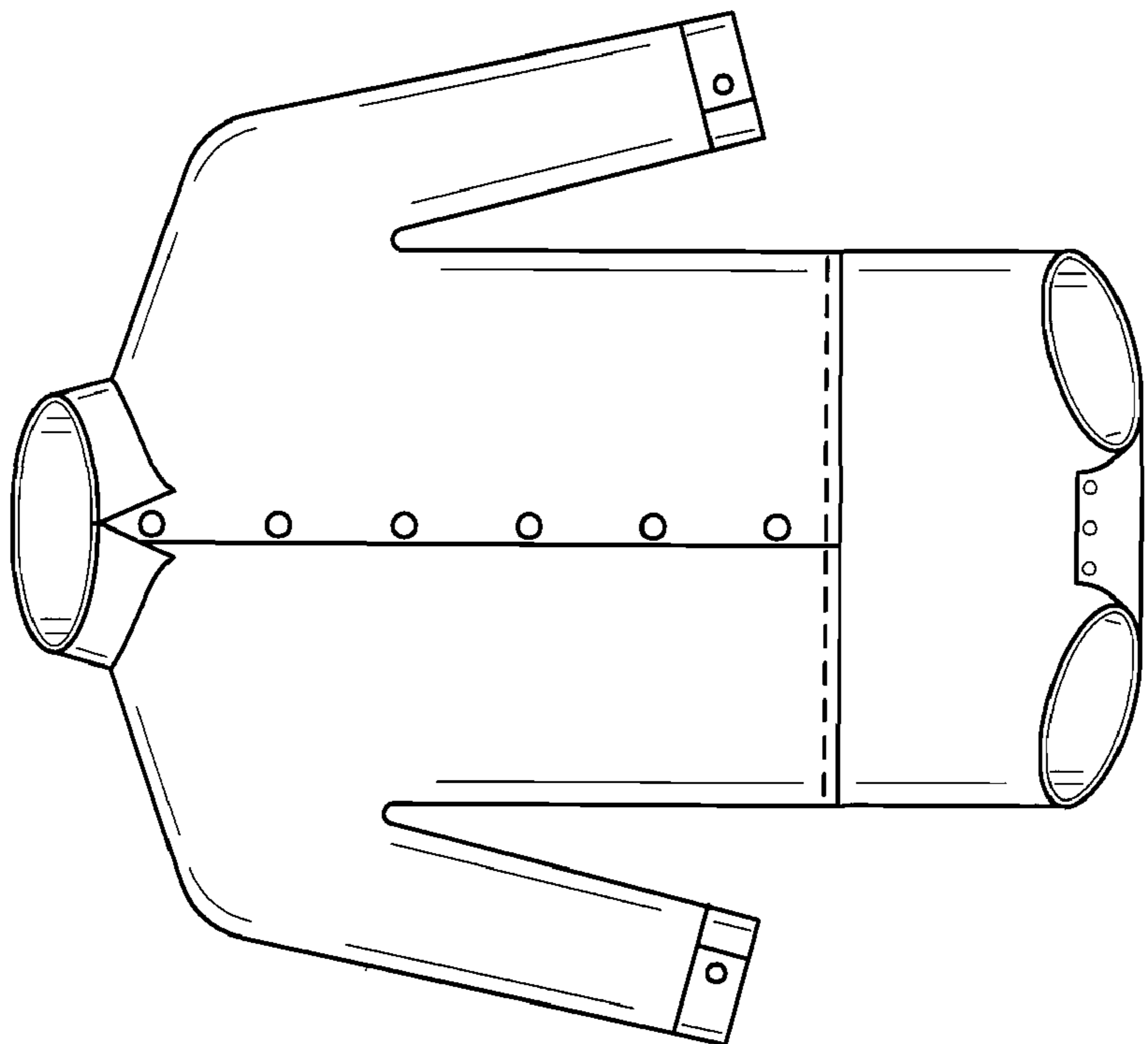


FIG. 1

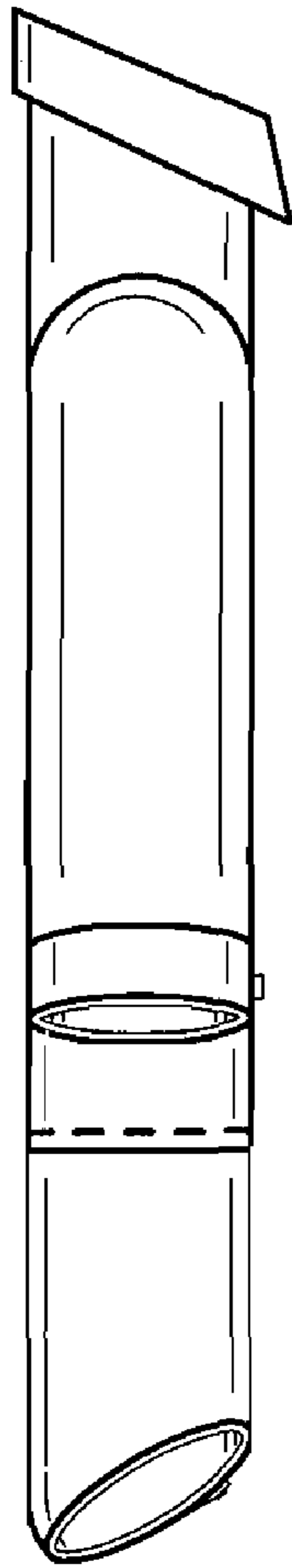


FIG.3

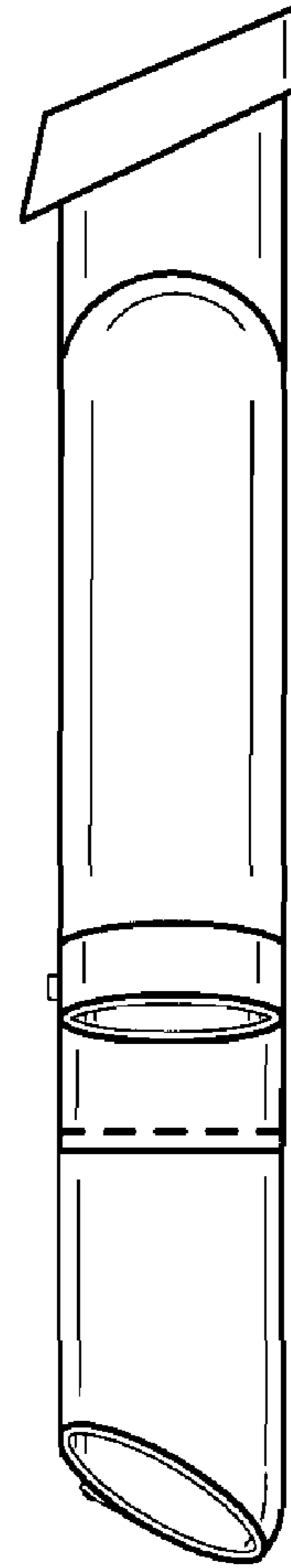


FIG.4

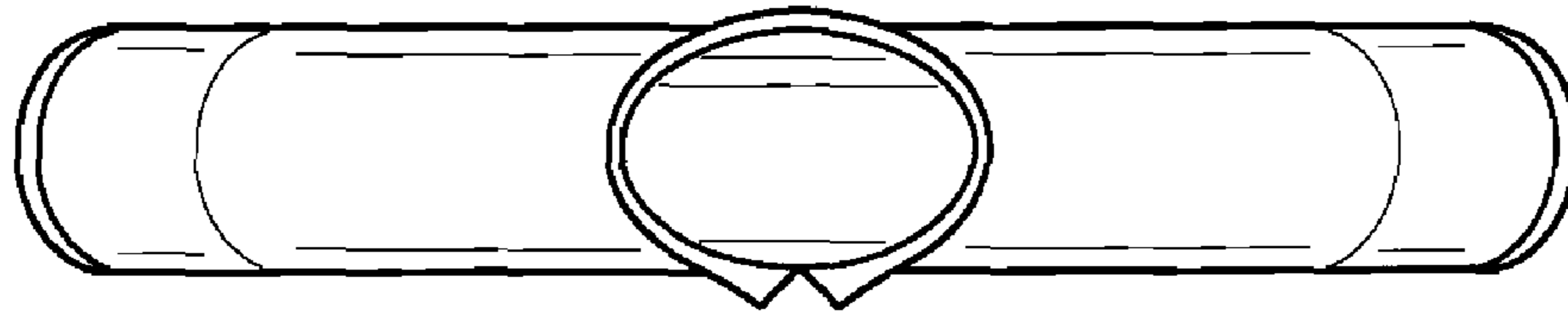


FIG. 5

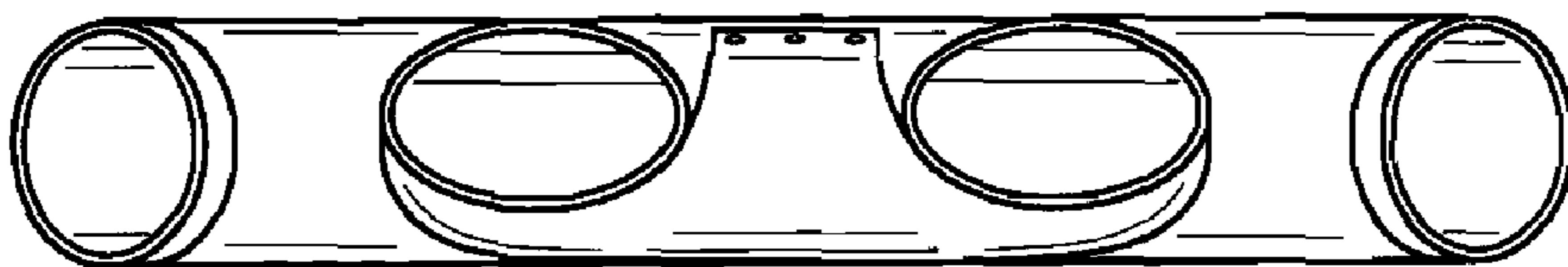


FIG. 6