



US00D571074S

(12) **United States Design Patent**
Buchmann et al.

(10) **Patent No.:** **US D571,074 S**
(45) **Date of Patent:** **** Jun. 10, 2008**

(54) **OVERHEAD GUARD FOR A FORK LIFT TRUCK**

(75) Inventors: **Juergen Buchmann**, Duisburg (DE);
Dean E. Davis, Troy, OH (US);
Michael P. Gallagher, Greenville, OH (US);
John P. Jones, Celina, OH (US);
Jeffrey T. Mauch, New Bremen, OH (US);
Henry J. Rahn, Mission Viejo, CA (US);
Adam M. Ruppert, Wapakoneta, OH (US);
Rainer B. Teufel, Worthington, OH (US)

(73) Assignee: **Crown Equipment Corporation**, New Bremen, OH (US)

(**) Term: **14 Years**

(21) Appl. No.: **29/281,941**

(22) Filed: **Jul. 6, 2007**

(51) **LOC (8) Cl.** **12-05**

(52) **U.S. Cl.** **D34/35; D34/37**

(58) **Field of Classification Search** D34/28,
D34/34, 35, 37; 414/685, 465; 187/202;
180/89.12, 89.14, 89.17

See application file for complete search history.

(56) **References Cited**

U.S. PATENT DOCUMENTS

4,688,981 A * 8/1987 Ravensborg et al. 414/607
5,071,187 A 12/1991 Smith et al.
5,344,277 A * 9/1994 Sandland 414/607
D441,936 S 5/2001 Brandt et al.
D464,784 S * 10/2002 Sato D34/35
D466,268 S 11/2002 Kraimer et al.
D466,669 S 12/2002 Kraimer et al.

D468,885 S * 1/2003 Salin et al. D34/34
6,568,746 B2 * 5/2003 Sakyo et al. 296/190.08
D536,504 S * 2/2007 Righi D34/34
D538,004 S * 3/2007 Kouyama et al. D34/34
D542,503 S * 5/2007 Righi D34/34
D557,872 S * 12/2007 Mori et al. D34/35

OTHER PUBLICATIONS

Crown specification brochure entitled Crown FC 4500 Series Sit-down Rider Lift Truck.

Crown specification brochure entitled Crown SC 4500 Series Sit-down Rider Lift Truck.

* cited by examiner

Primary Examiner—Cynthia E Ramirez

(74) *Attorney, Agent, or Firm*—Stevens & Showalter LLP

(57) **CLAIM**

The ornamental design for an overhead guard for a fork lift truck, as shown.

DESCRIPTION

FIG. 1 is a perspective view of an overhead guard for a fork lift truck as seen from the top, front and left sides showing out new design;

FIG. 2 is a front elevational view thereof;

FIG. 3 is a rear elevational view thereof;

FIG. 4 is a left side elevational view thereof;

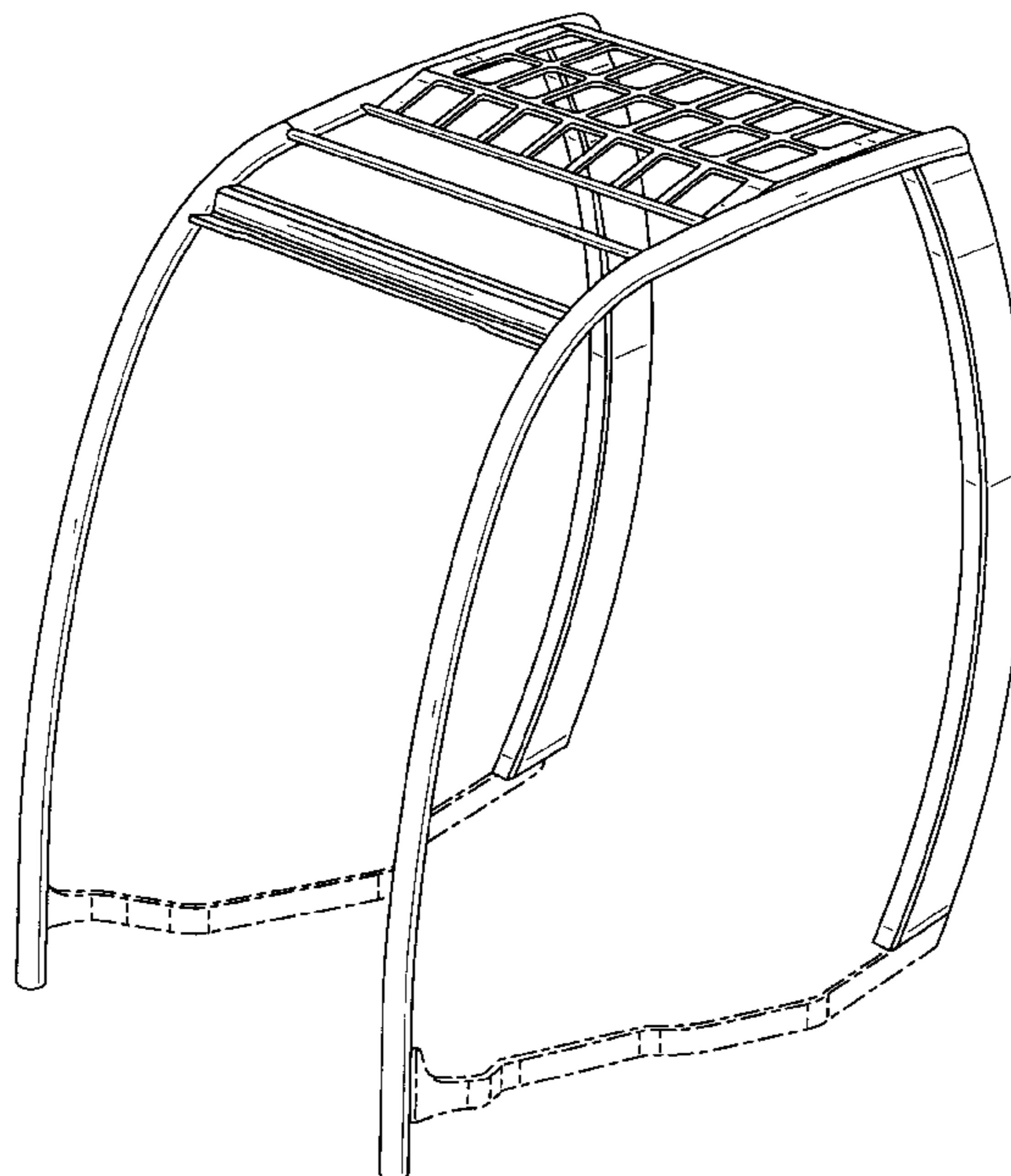
FIG. 5 is a right side elevational view thereof;

FIG. 6 is a top plan view thereof; and,

FIG. 7 is a bottom plan view thereof.

The broken line showings in the figures is for illustrative purposes only and forms no part of the claimed design.

1 Claim, 7 Drawing Sheets



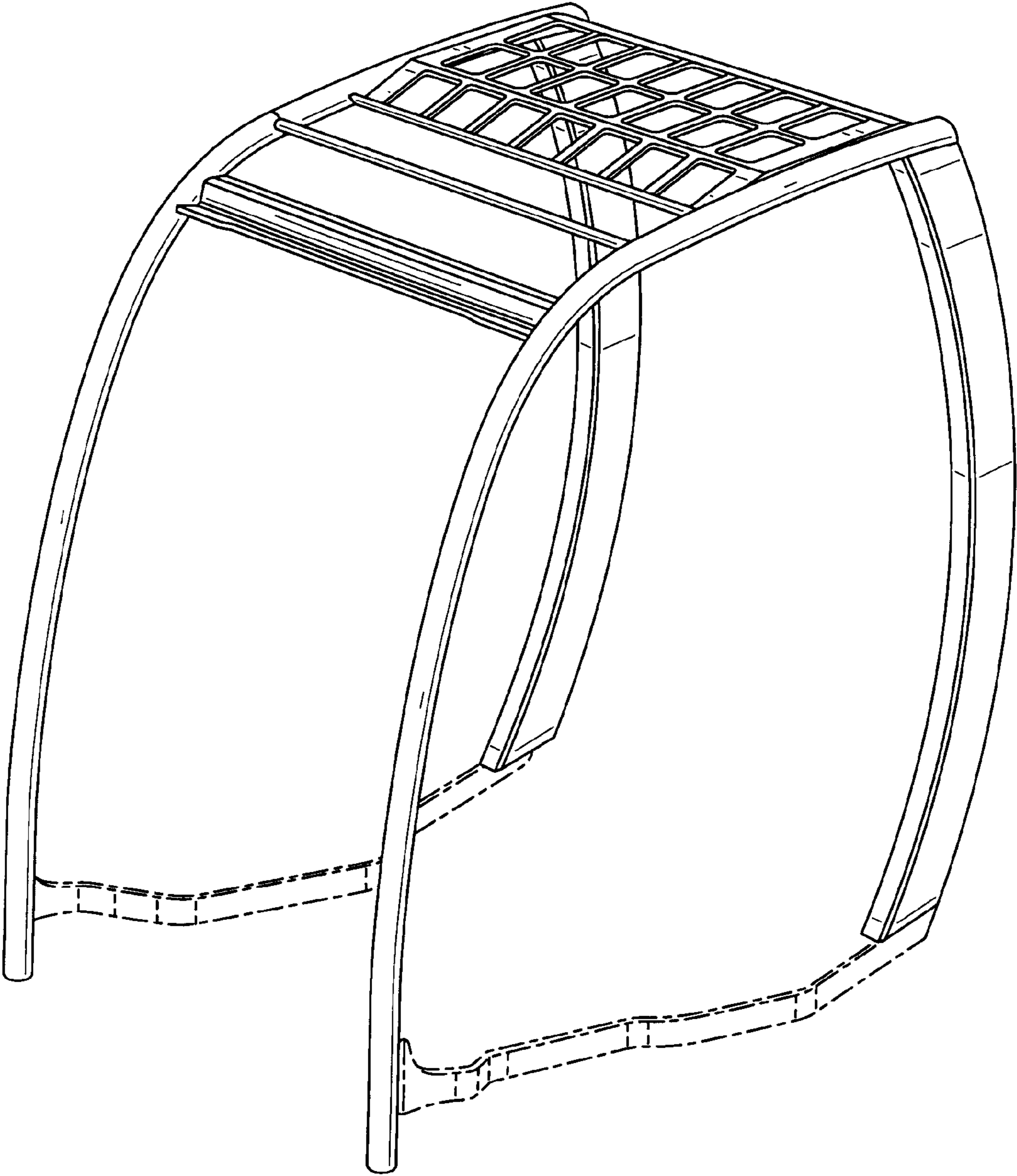


FIG. 1

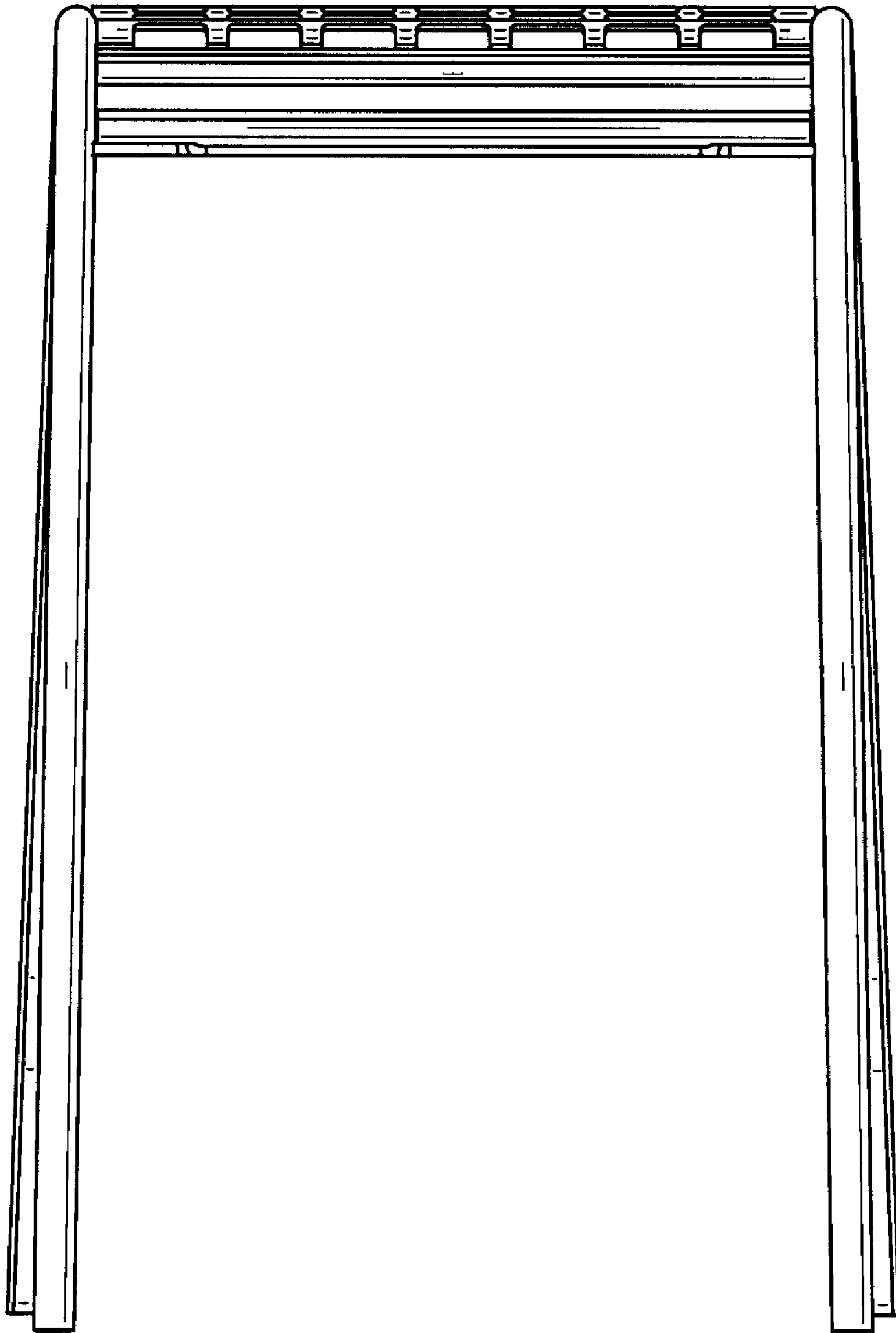


FIG. 2

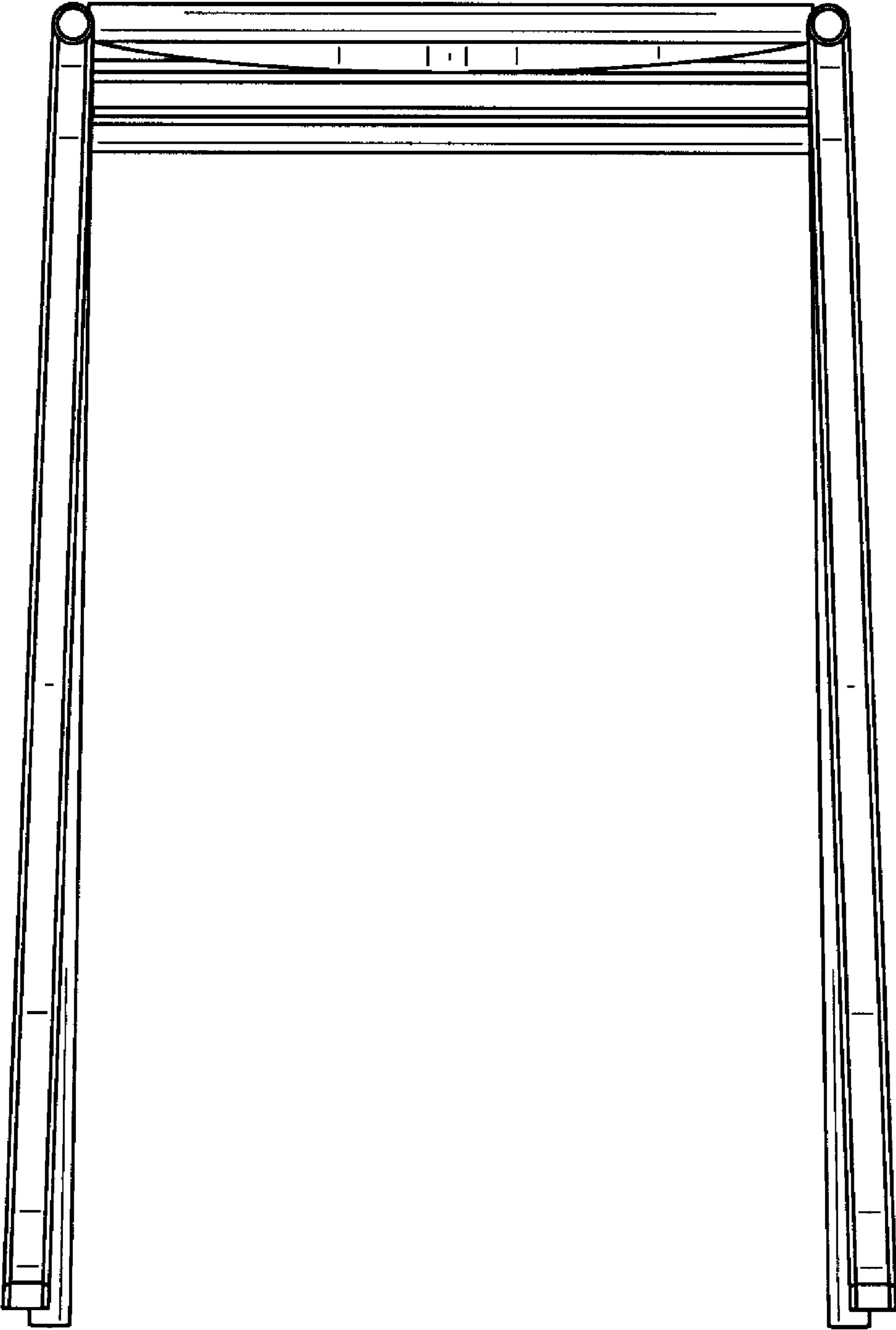


FIG. 3

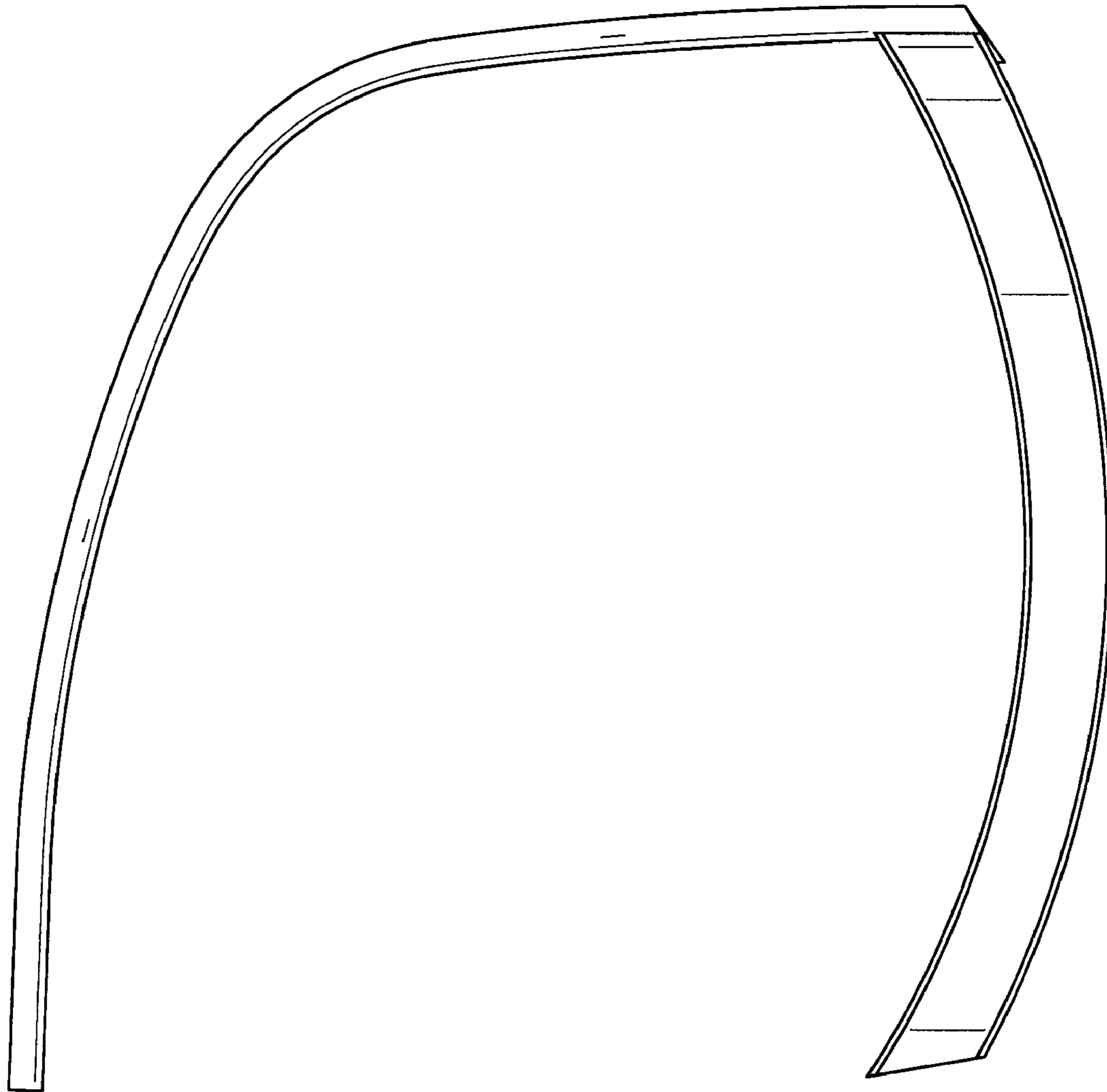


FIG. 4

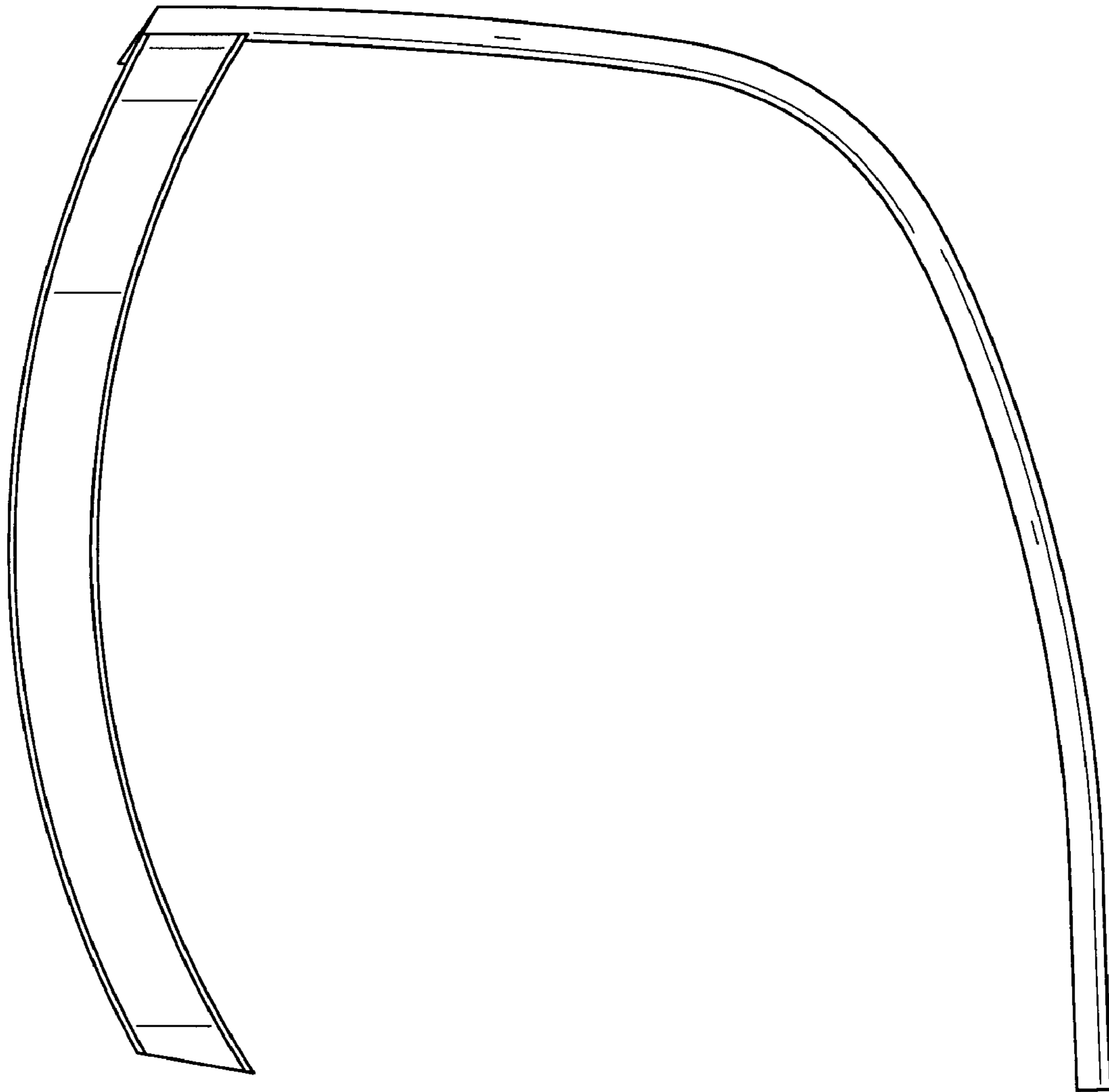


FIG. 5

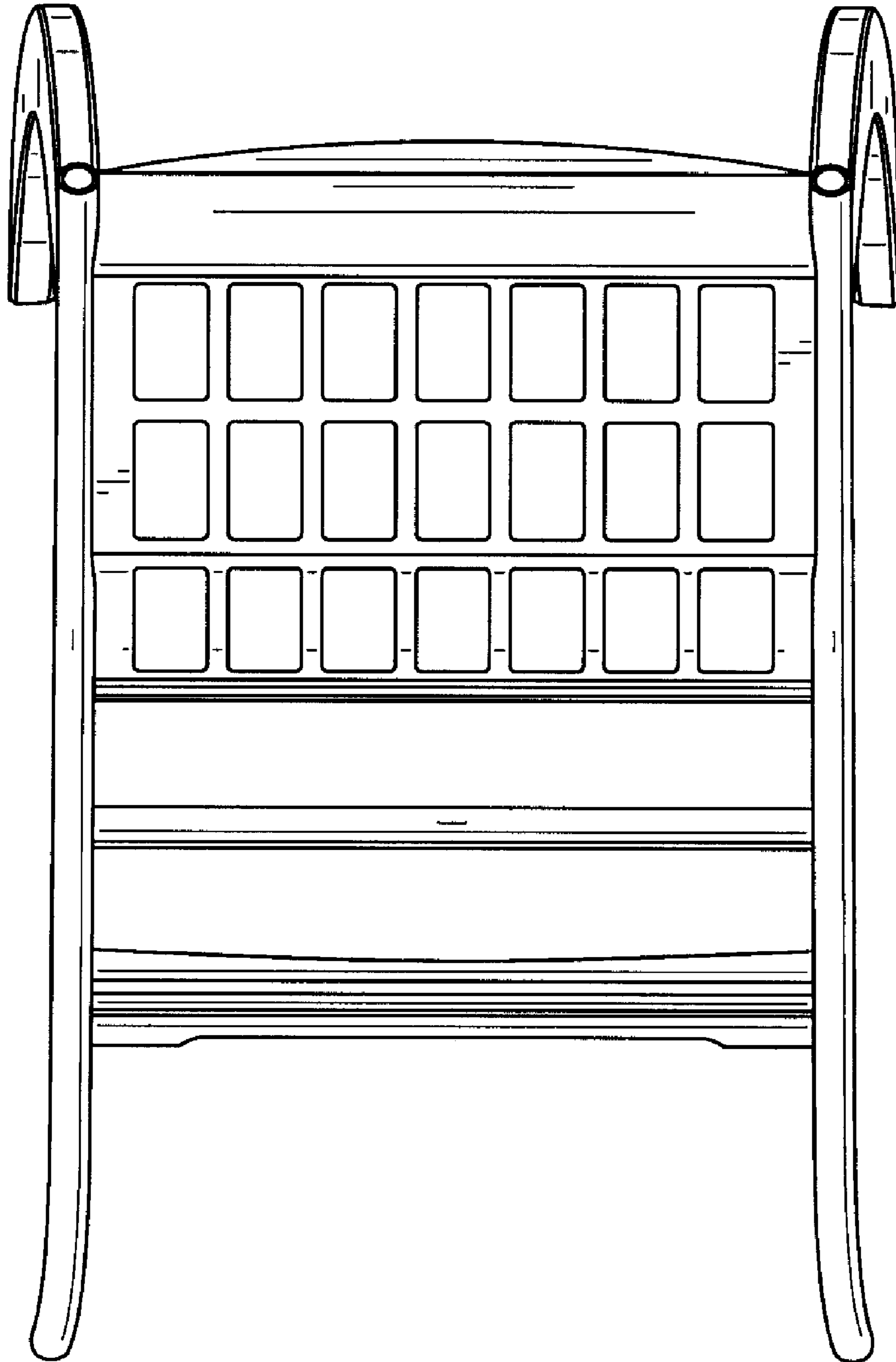


FIG. 6

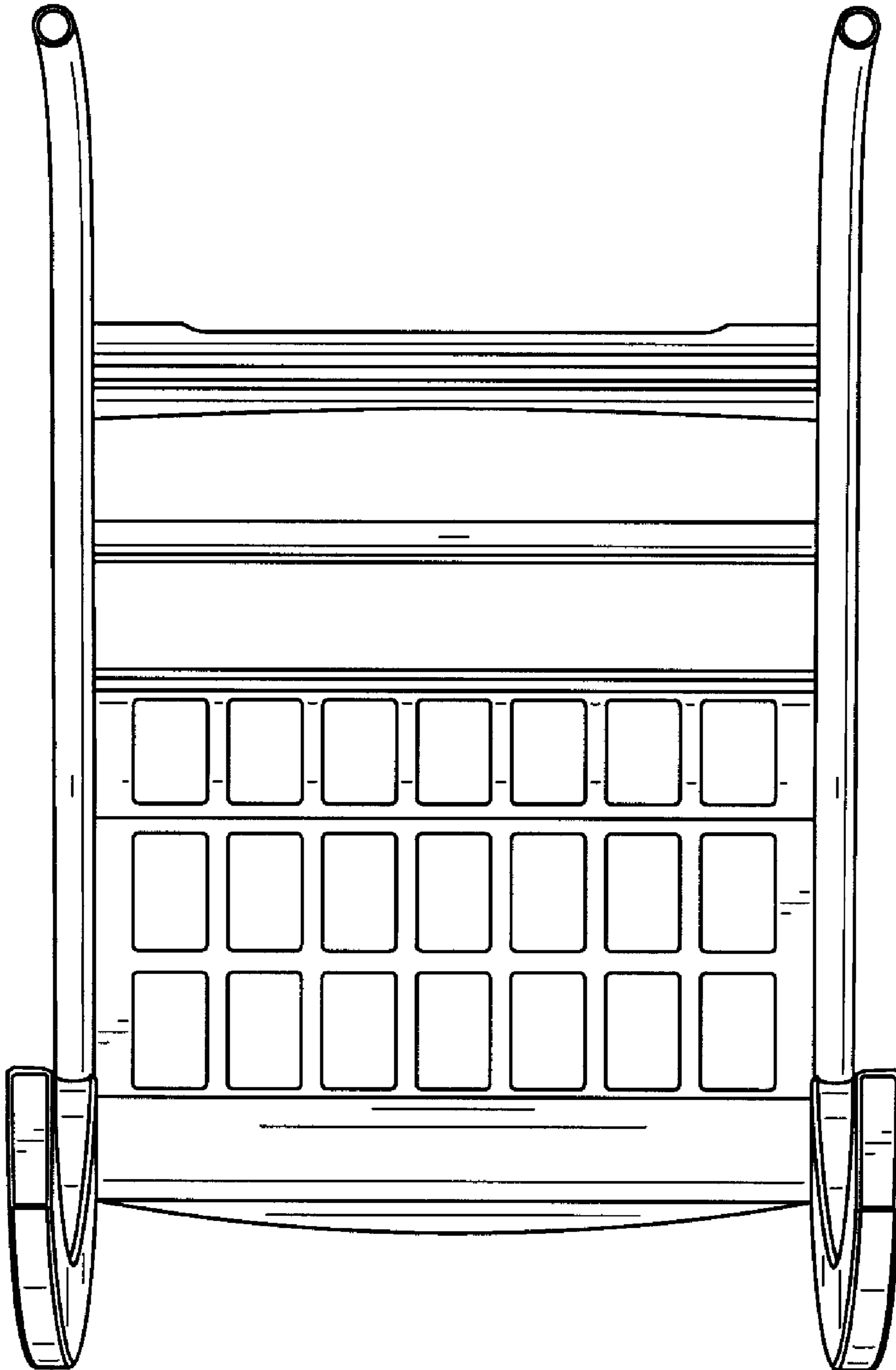


FIG. 7