

US00D571071S

(12) **United States Design Patent**
de Campos

(10) **Patent No.:** **US D571,071 S**

(45) **Date of Patent:** **** Jun. 10, 2008**

(54) **CART**

(75) Inventor: **Joacir Pereira de Campos**, Araçatuba (BR)

(73) Assignee: **Fields-Inovatec Inovacoes Tecnologicas Ltda.**, Aracatuba SP (BR)

(**) Term: **14 Years**

(21) Appl. No.: **29/282,740**

(22) Filed: **Jul. 27, 2007**

(30) **Foreign Application Priority Data**

Jan. 29, 2007 (BR) DI 6700518-7

(51) **LOC (8) Cl.** **12-02**

(52) **U.S. Cl.** **D34/17**

(58) **Field of Classification Search** D34/12-27;
280/47.18, 47.26, 47.34, 33.994, 33.993,
280/47.27, 47.29, 47.19, 47.24, 652, 654,
280/47.31

See application file for complete search history.

(56) **References Cited**

U.S. PATENT DOCUMENTS

D128,819 S * 8/1941 Gombs D34/26
D162,163 S * 2/1951 Hewitt et al. D34/26
2,723,863 A * 11/1955 Mattio 280/47.24
2,881,865 A * 4/1959 Lewis 187/231

D201,547 S * 7/1965 Krueger, Jr. D34/26
3,647,238 A * 3/1972 Mackey 280/47.29
4,412,689 A * 11/1983 Lee 280/648
5,160,153 A * 11/1992 Zan 280/43.1
D337,191 S * 7/1993 Ibrahim D34/12
D424,266 S * 5/2000 McIntyre D34/24
D514,767 S * 2/2006 Schusler et al. D34/12

* cited by examiner

Primary Examiner—Cynthia E Ramirez

(74) *Attorney, Agent, or Firm*—Alston & Bird LLP

(57) **CLAIM**

The ornamental design for cart, as shown and described.

DESCRIPTION

FIG. 1 is a perspective view of a cart according to my new design;

FIG. 2 is a front elevation view thereof,

FIG. 3 is a rear elevation view thereof,

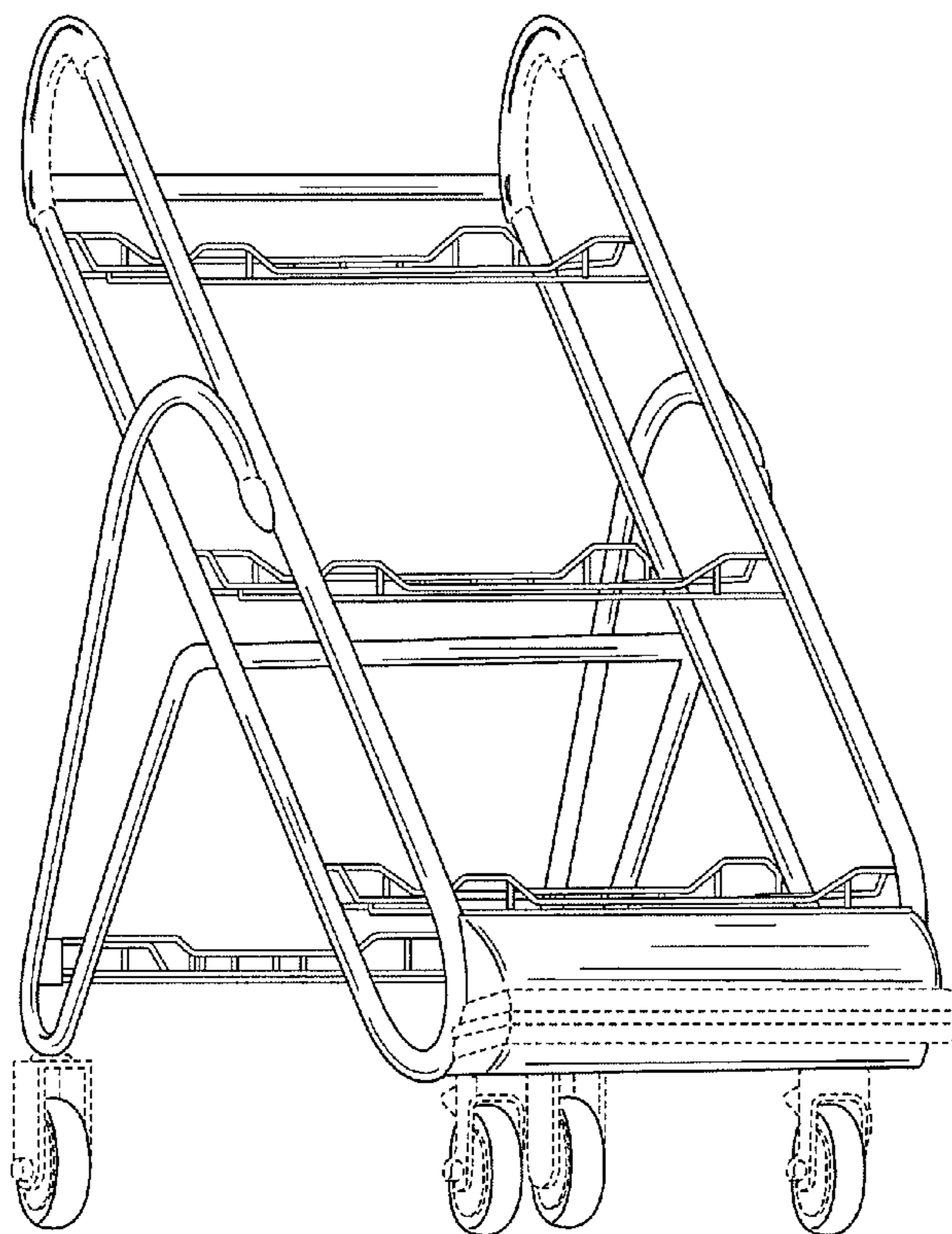
FIG. 4 is a left side elevation view thereof, the right side view being a mirror image thereof;

FIG. 5 is a top plan view thereof; and,

FIG. 6 is a bottom plan view thereof.

The elements shown in broken line are included for the purpose of illustrating environment and form no part of the claimed design.

1 Claim, 3 Drawing Sheets



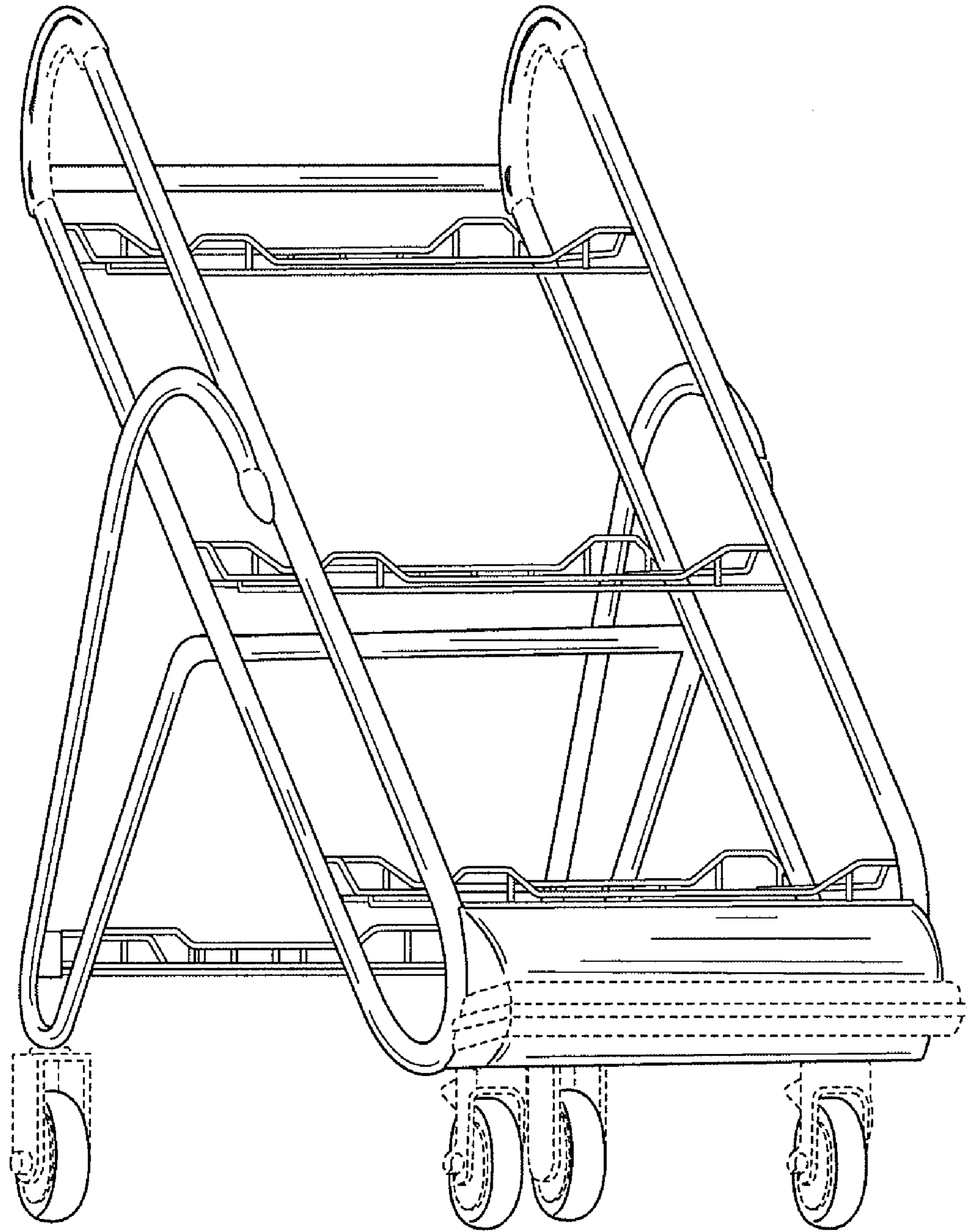


FIG. 1

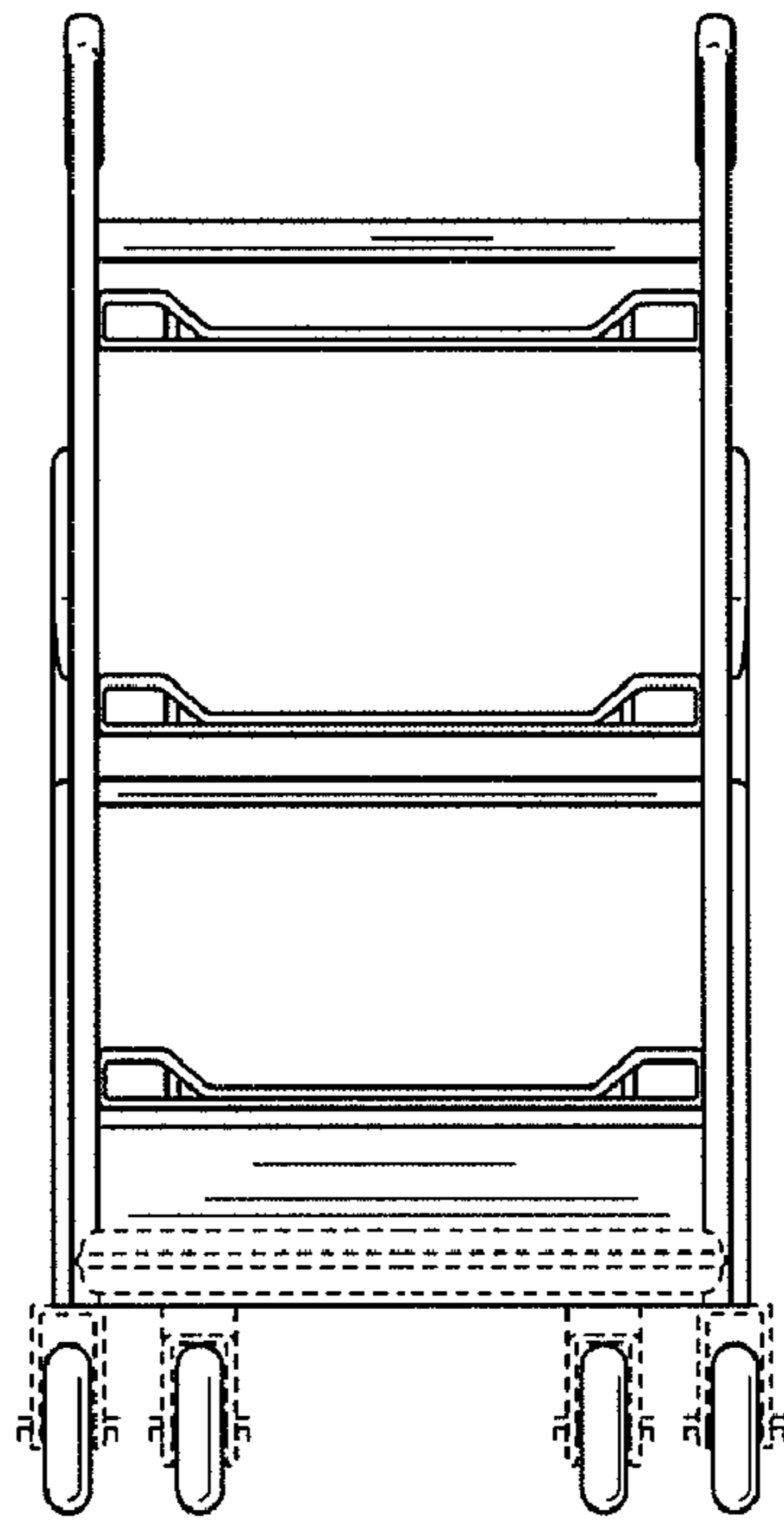


FIG. 2

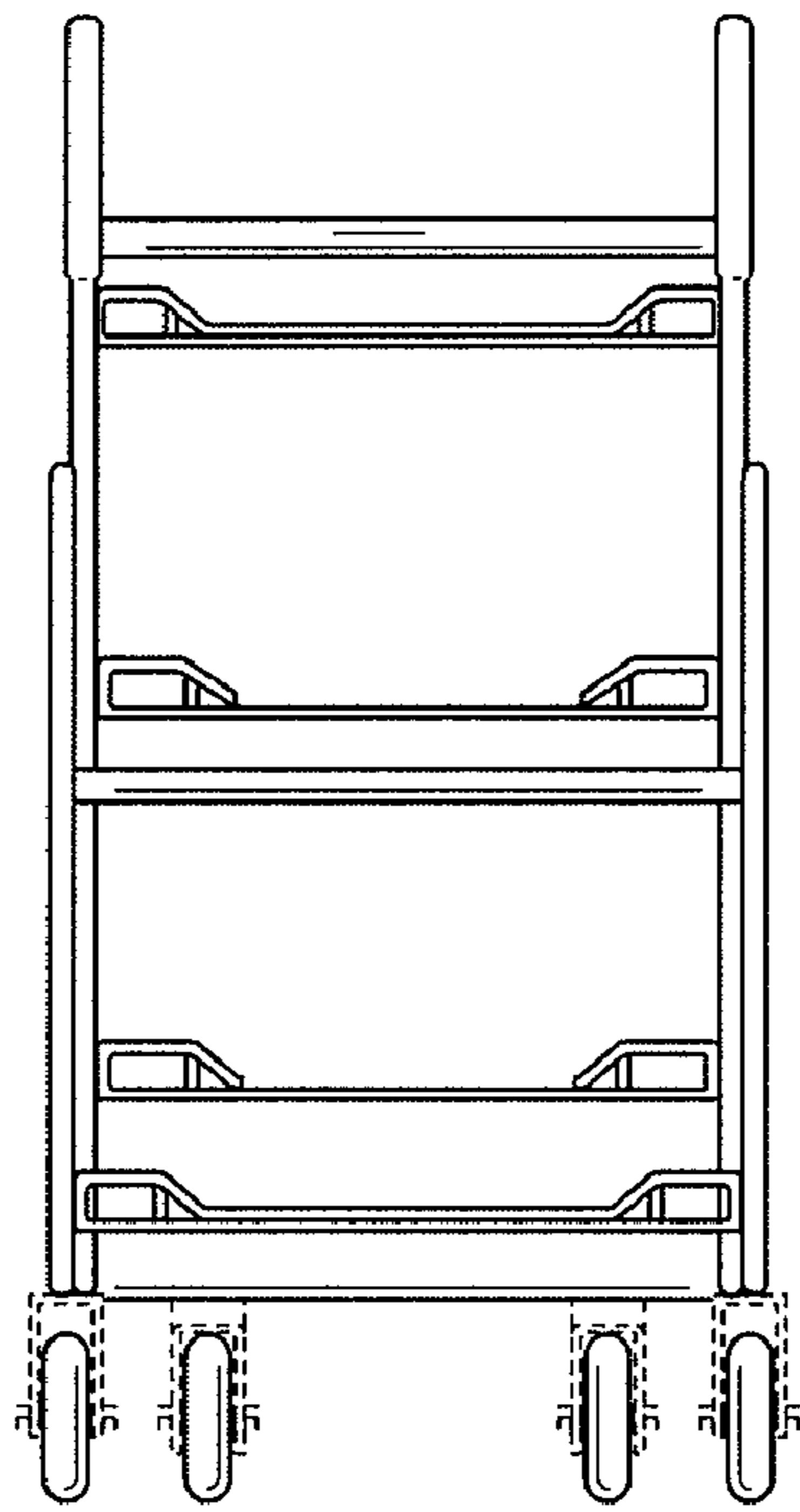


FIG. 3

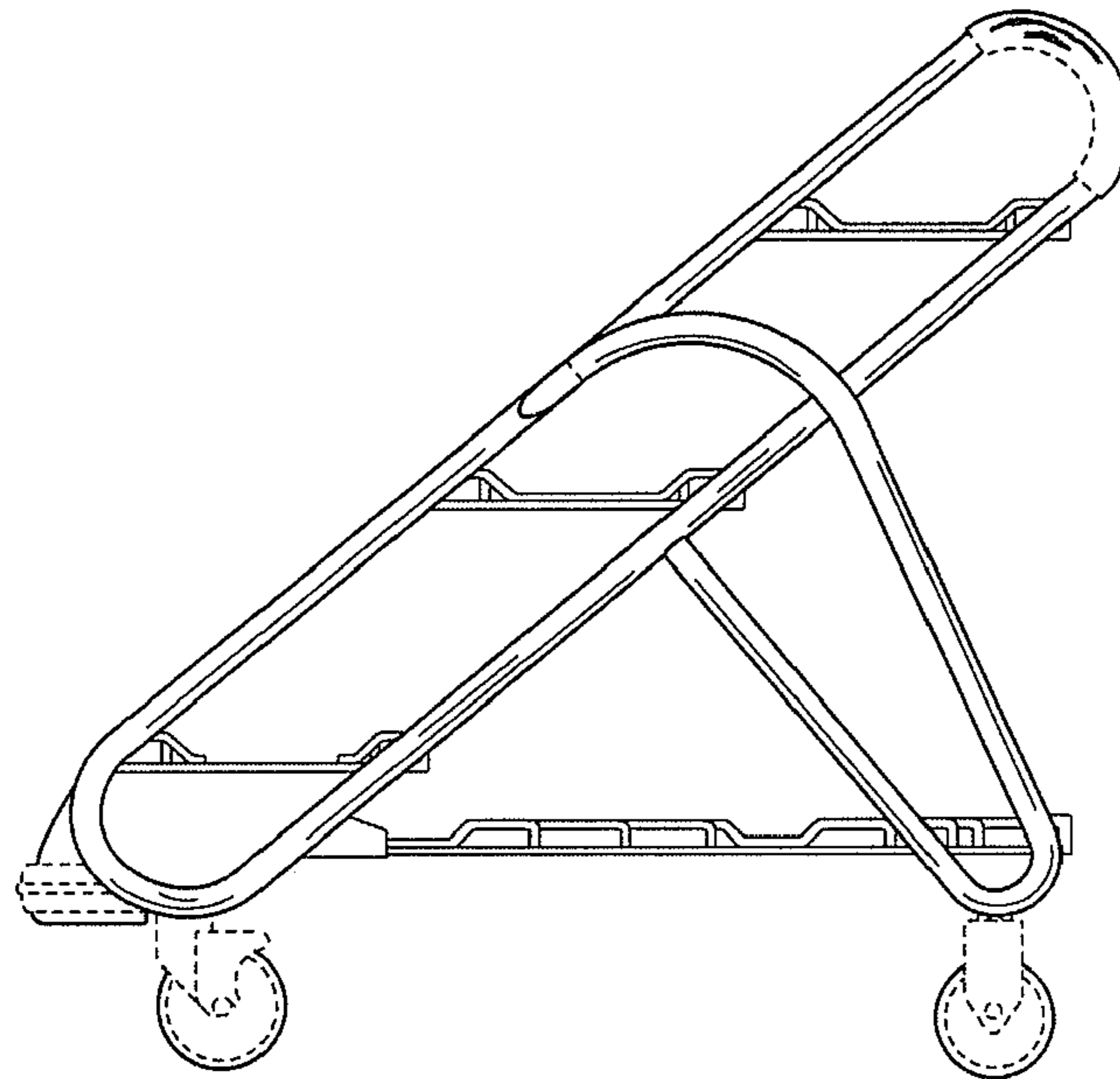


FIG. 4

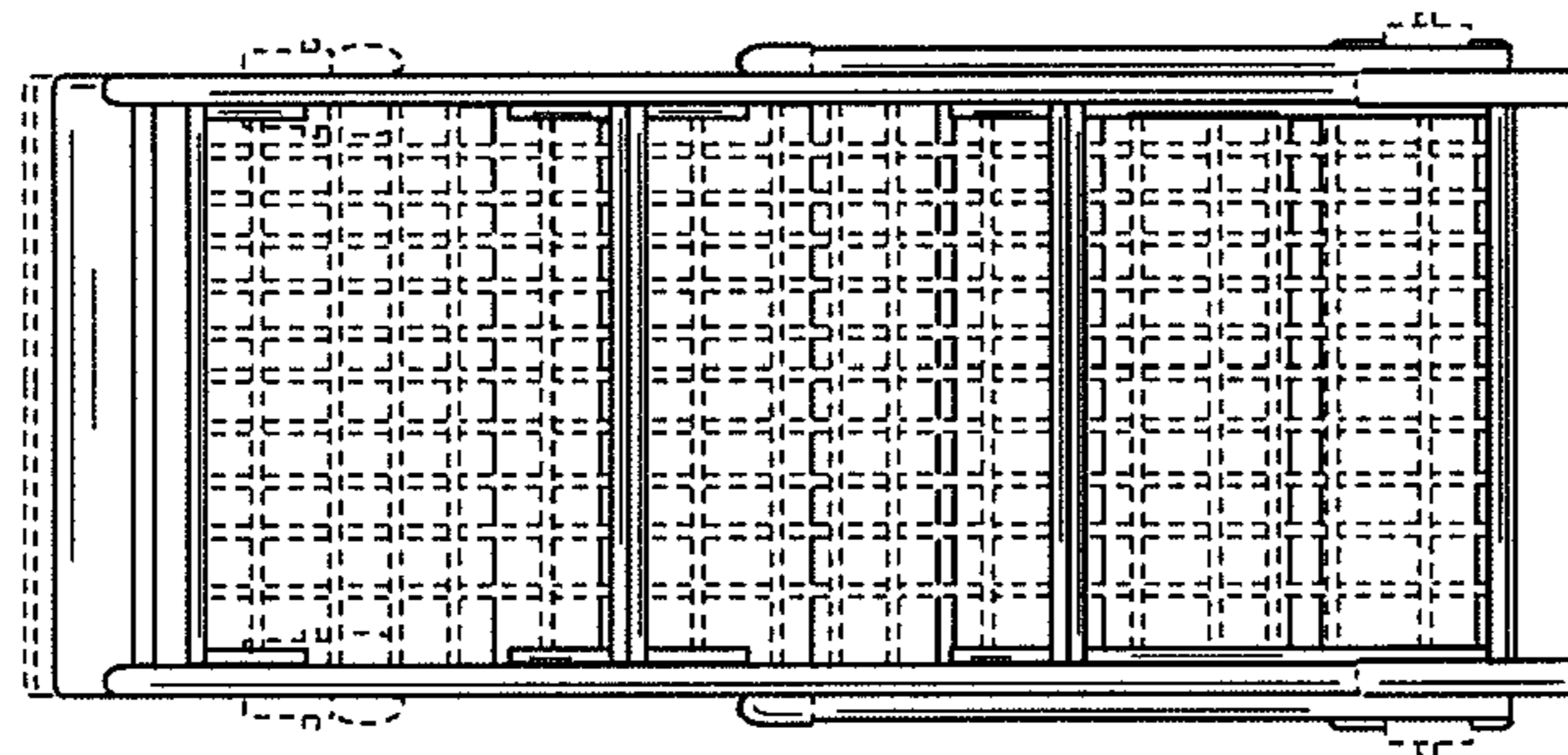


FIG. 5

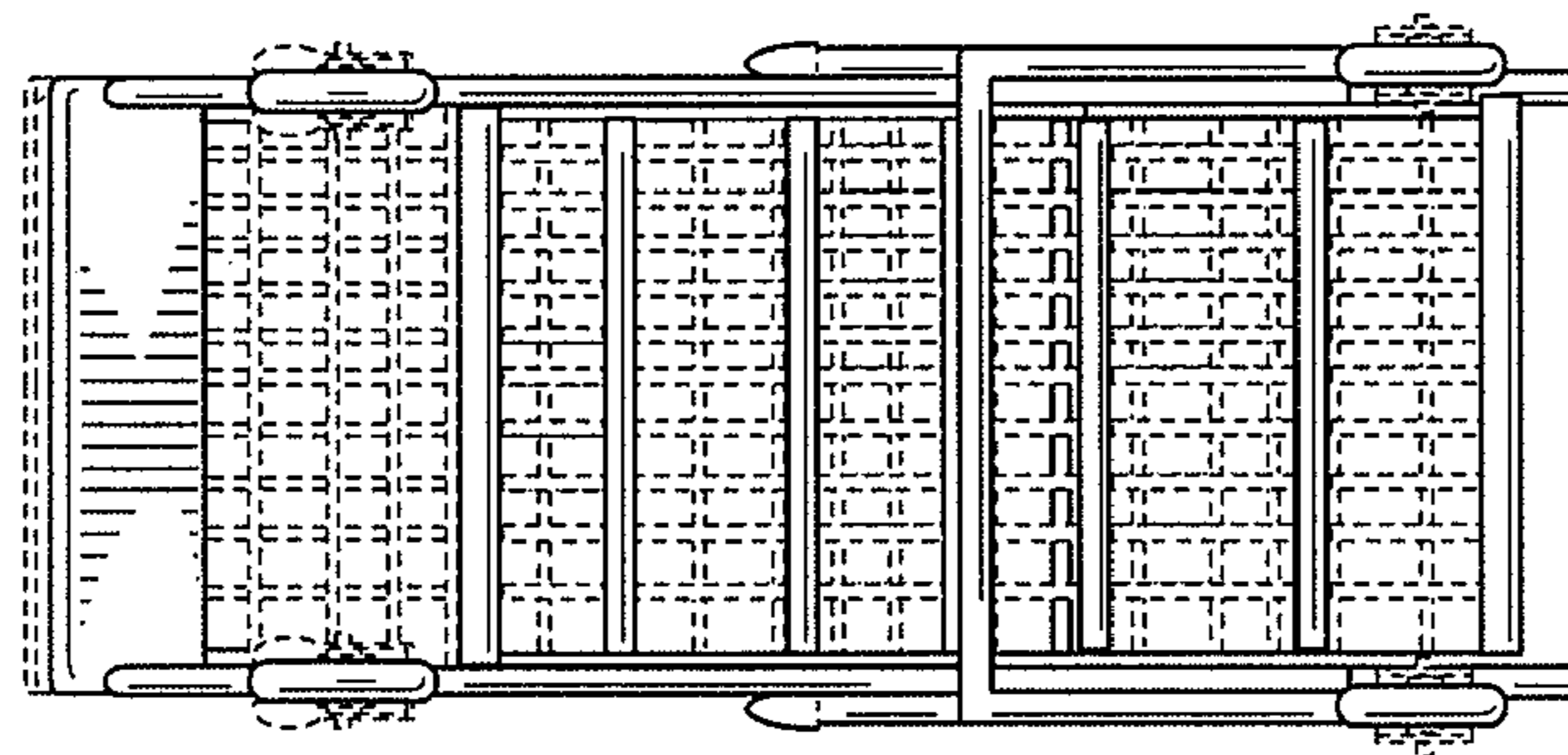


FIG. 6