



US00D571069S

(12) **United States Design Patent**
Harper et al.

(10) **Patent No.:** **US D571,069 S**
(45) **Date of Patent:** **** Jun. 10, 2008**

(54) **HAND-GRIP**

(75) Inventors: **Richard Michael Harper**, Cincinnati, OH (US); **James Edward Poland**, Park Hills, KY (US); **John Philip Stoddard**, Ben Lomond, CA (US); **Margrethe Elizabeth Koshland**, San Francisco, CA (US); **Anthony Piazza**, Palo Alto, CA (US); **Pontus Kaj Björn Wahlgren**, London (GB); **Gregory Clegg Spooner**, Hong Kong (CN)

(73) Assignee: **The Procter & Gamble Company**, Cincinnati, OH (US)

(**) Term: **14 Years**

(21) Appl. No.: **29/227,597**

(22) Filed: **Apr. 13, 2005**

(51) **LOC (8) Cl.** **04-01**

(52) **U.S. Cl.** **D32/52**

(58) **Field of Classification Search** D32/35, D32/40, 51, 52; D28/63; D4/128, 132, 138; D8/80, 94, 97; 15/143.1, 209.1, 211, 234-5, 15/106, 146-7.1, 164, 244.1, 147.1, 147.2, 15/231; 16/110.1

See application file for complete search history.

(56) **References Cited**

U.S. PATENT DOCUMENTS

D163,858 S * 7/1951 Gaster D32/60
D188,177 S * 6/1960 Bennett D32/51
D343,924 S * 2/1994 Kaplan D28/63
D346,543 S * 5/1994 Berti et al. D8/107

D366,963 S * 2/1996 Berti D4/138
D366,964 S * 2/1996 Berti D4/138
D394,353 S * 5/1998 Berti D4/128
5,867,867 A * 2/1999 Kessler 16/425
D465,613 S * 11/2002 Pierce D28/63
D547,554 S * 7/2007 Ajluni et al. D32/51
D552,314 S * 10/2007 Harper et al. D32/40
D561,417 S * 2/2008 Harper et al. D32/40
D564,164 S * 3/2008 Harper et al. D32/51

* cited by examiner

Primary Examiner—Robin V. Webster

Assistant Examiner—Karen E Kearney

(74) *Attorney, Agent, or Firm*—Larry L. Huston; Thibault Fayette; Kim William Zerby

(57) **CLAIM**

The ornamental design for a hand-grip, as shown and described.

DESCRIPTION

FIG. 1 is a perspective view of a hand-grip, embodying the new design;

FIG. 2 is a top view thereof;

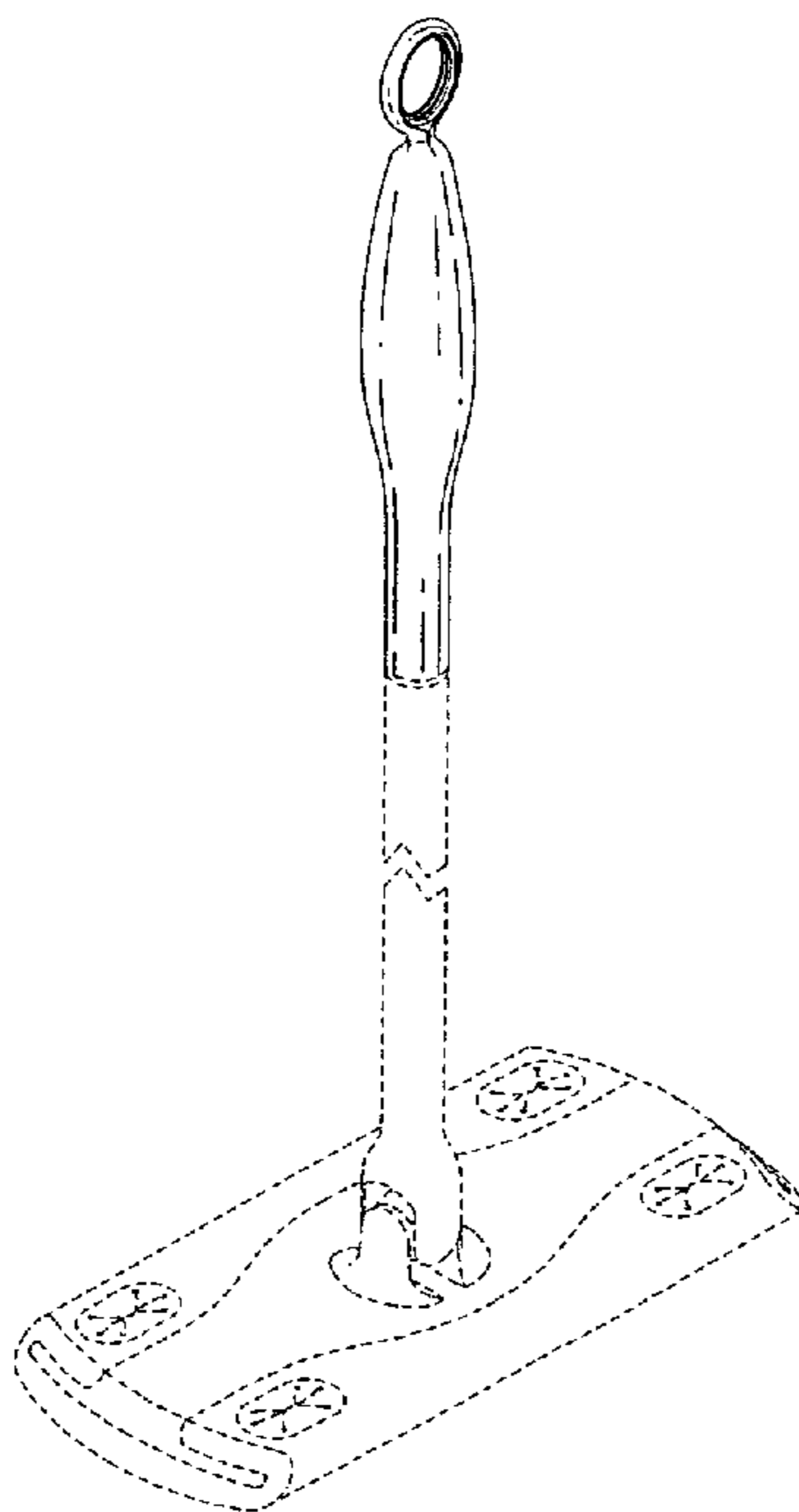
FIG. 3 is a bottom view thereof;

FIG. 4 is a front view thereof, the opposite back view is a mirror image thereto; and,

FIG. 5 is a right view thereof, the opposite left view is a mirror image thereto.

The broken lines shown in the drawings are for illustrative purposes only and form no part of the claimed design.

1 Claim, 2 Drawing Sheets



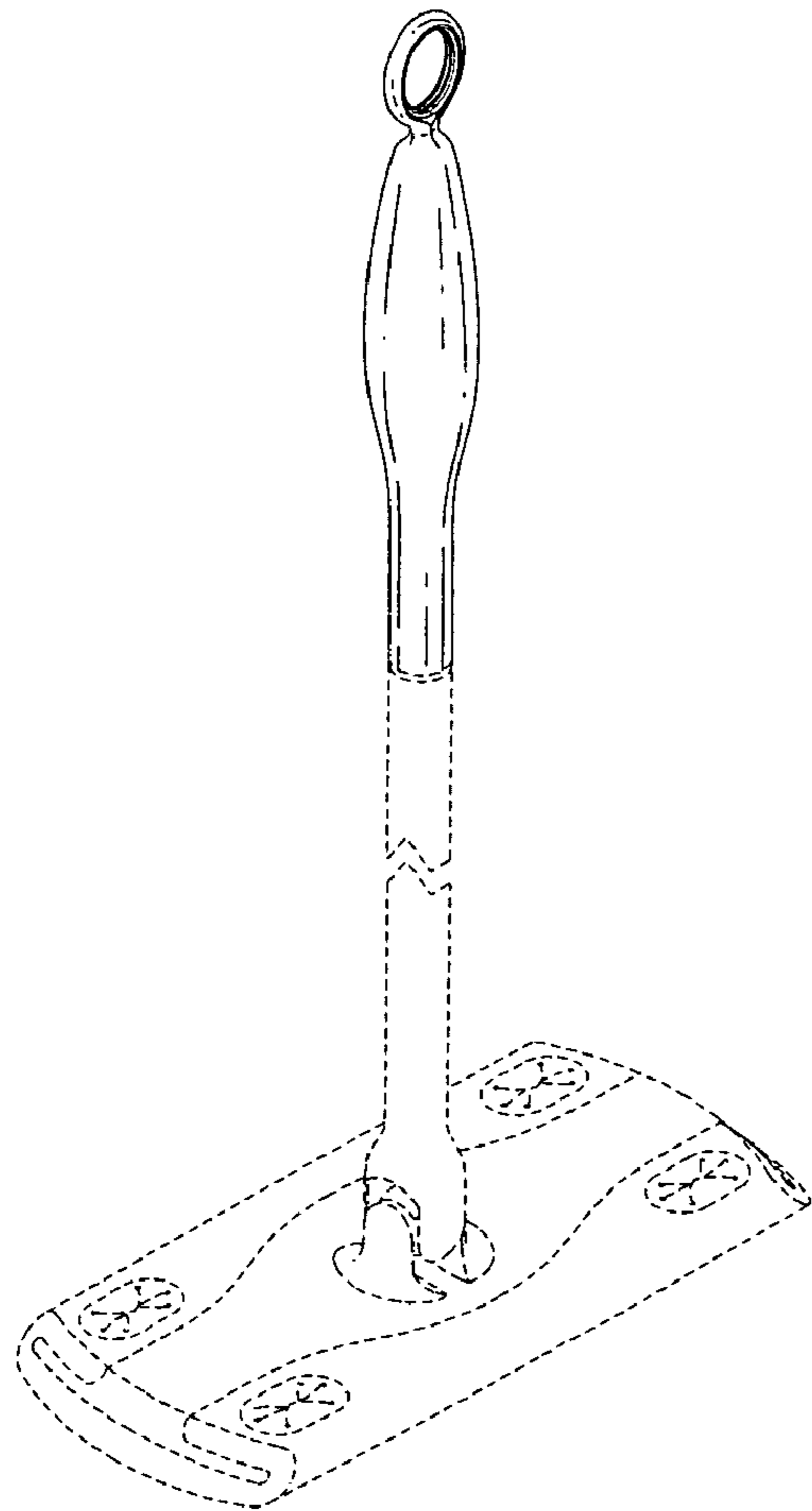


Fig. 1

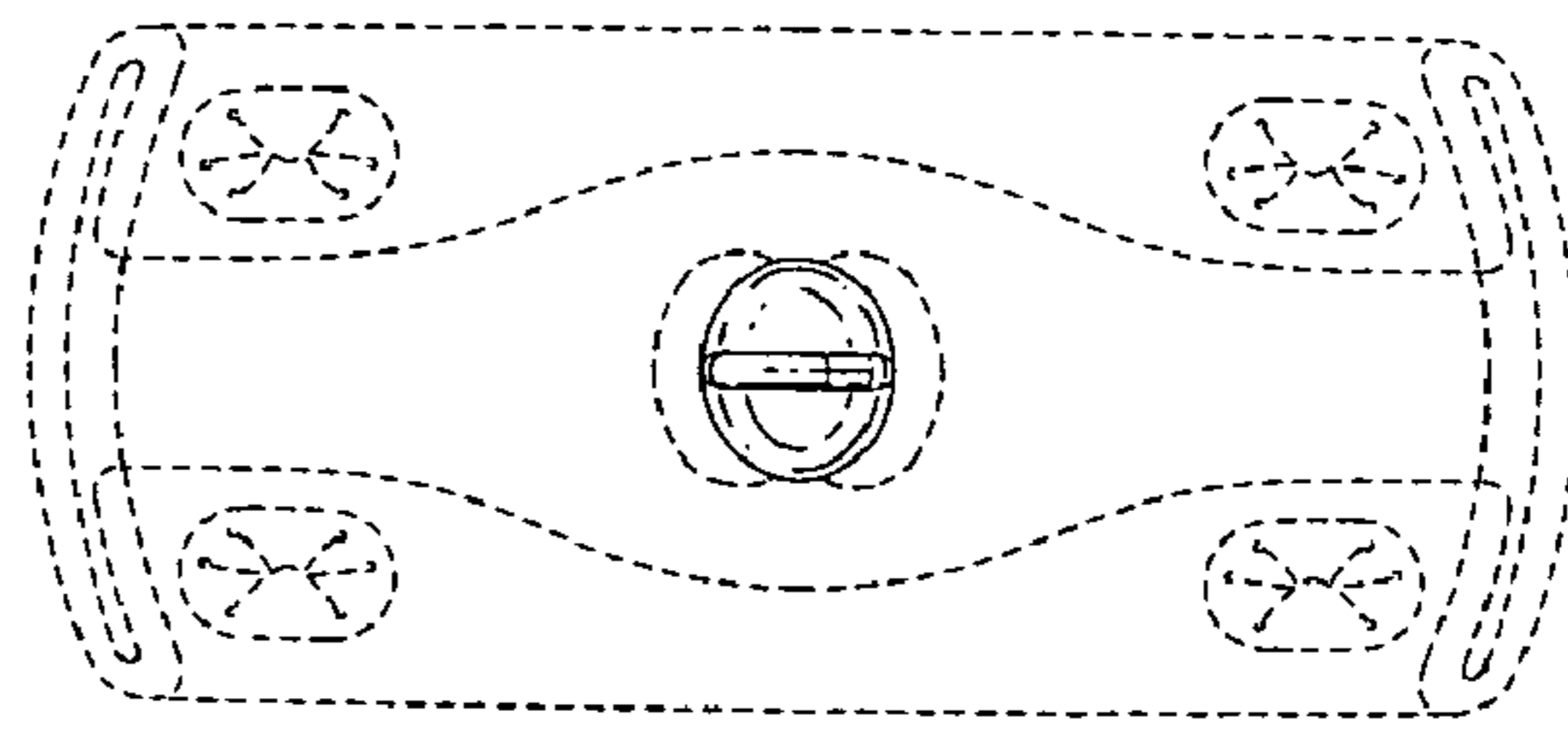


Fig. 2

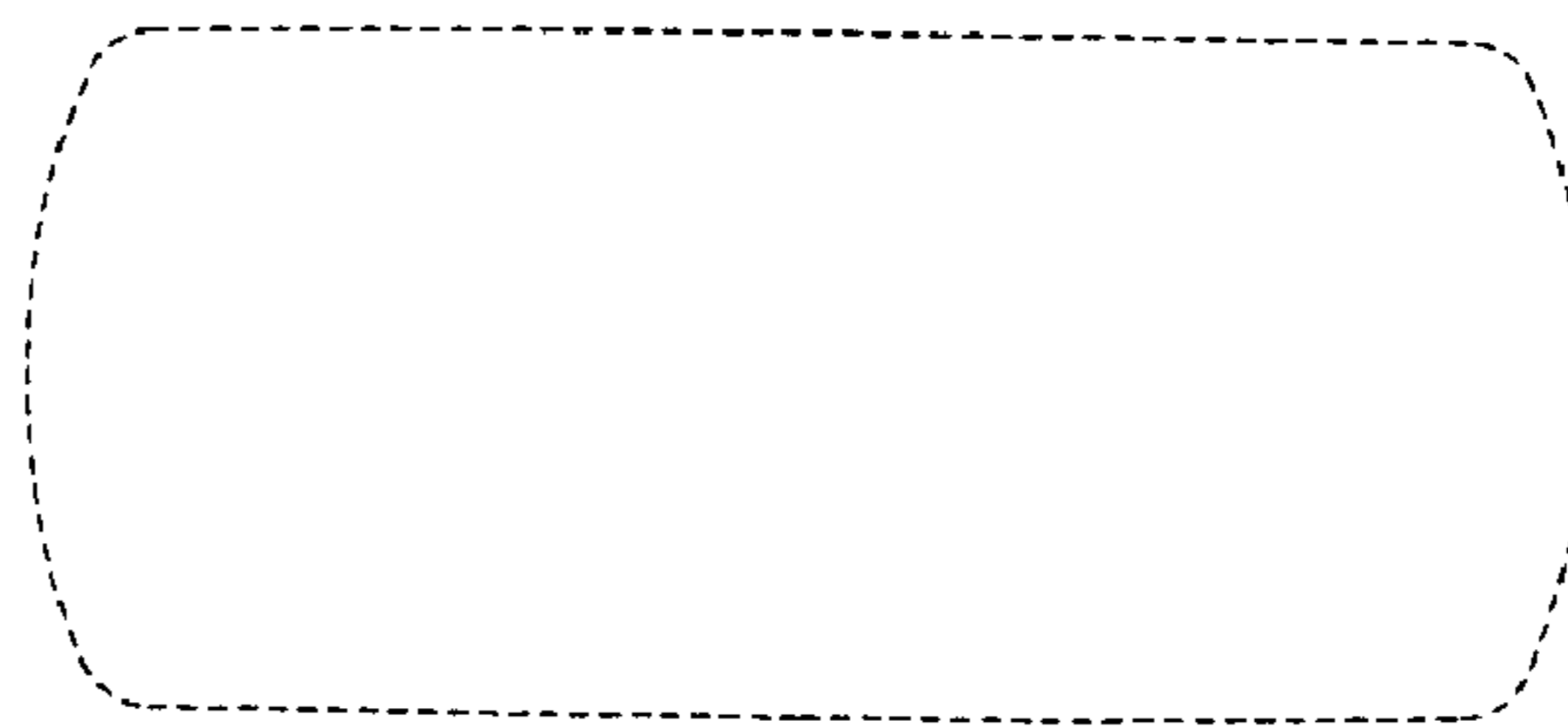


Fig. 3

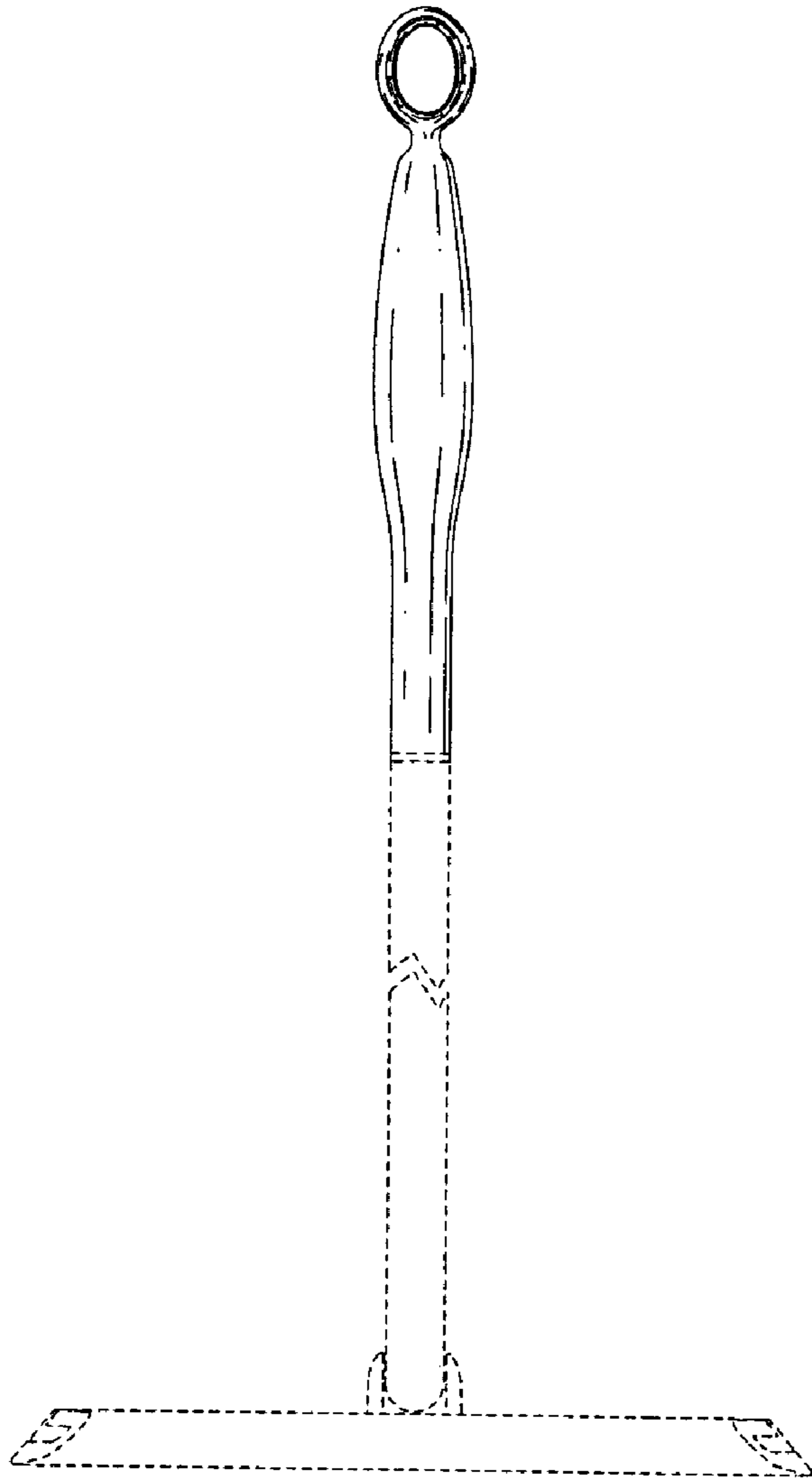


Fig. 4

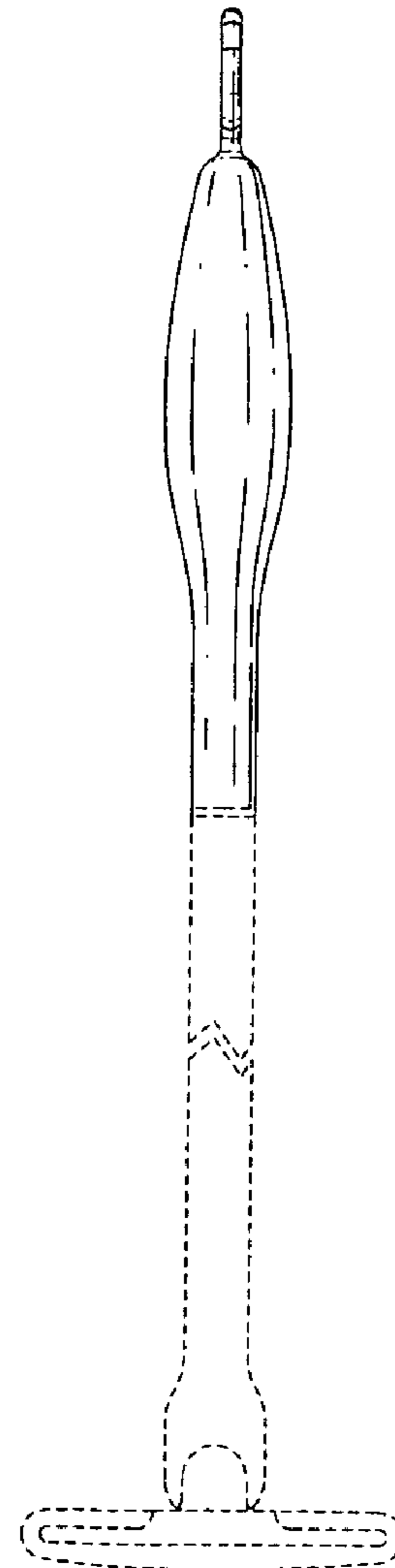


Fig. 5