



US00D571066S

(12) **United States Design Patent**  
**Luebbering**

(10) **Patent No.:** **US D571,066 S**  
(45) **Date of Patent:** **\*\* Jun. 10, 2008**

(54) **VACUUM CLEANER BASE**

5,768,745 A 6/1998 Lee

(75) Inventor: **Gregory W. Luebbering**, Heyworth, IL (US)

(Continued)

(73) Assignee: **Electrolux Home Care Products, Inc.**, Cleveland, OH (US)

FOREIGN PATENT DOCUMENTS

JP 6-178744 6/1994

(\*\*) Term: **14 Years**

OTHER PUBLICATIONS

(21) Appl. No.: **29/281,770**

Unknown Author; "Royal MRY5500 Brochure;" downloaded from <http://www.cacuum-depot.com/detProd.asp?ProductID=1488> on Jun. 28, 2007; 2 pages.

(22) Filed: **Jun. 29, 2007**

(Continued)

(51) **LOC (8) Cl.** ..... **15-05**

(52) **U.S. Cl.** ..... **D32/32**

(58) **Field of Classification Search** ..... D32/22,  
D32/31-34; 15/321-322, 353, 324, 334,  
15/347, 350-352, 415.1-422, 422.1, 361,  
15/363, 374, 410-412; 34/84-85, 95.1, 633,  
34/635, 638, 229

*Primary Examiner*—Ruth McInroy

(74) *Attorney, Agent, or Firm*—Hunton & Williams

See application file for complete search history.

(57) **CLAIM**

The ornamental design for a vacuum cleaner base, as shown and described.

(56) **References Cited**

**DESCRIPTION**

U.S. PATENT DOCUMENTS

2,793,055 A	5/1957	Meyerhoefer
3,244,437 A	4/1966	Belicka
3,351,363 A	11/1967	Downey
3,869,751 A	3/1975	Boyd et al.
4,724,574 A	2/1988	Bowerman et al.
4,761,850 A	8/1988	Romeo et al.
4,955,106 A	9/1990	Stein et al.
4,968,174 A	11/1990	Krasznai
5,028,245 A	7/1991	Stein et al.
5,046,761 A	9/1991	Cordes
5,168,598 A	12/1992	Hashizume et al.
5,247,720 A	9/1993	Sovis et al.
5,332,266 A	7/1994	Canale
5,355,549 A	10/1994	Steinberg et al.
5,462,311 A	10/1995	Cipolla
5,502,870 A	4/1996	Ragner et al.
5,533,230 A	7/1996	Rouda
5,621,946 A	4/1997	Lee
5,652,997 A	8/1997	Na
5,692,782 A	12/1997	Fischer

FIG. 1 is an isometric view of a vacuum cleaner base showing the claimed design.

FIG. 2 is a front elevation view of the vacuum cleaner base of FIG. 1.

FIG. 3 is a rear elevation view of the vacuum cleaner base of FIG. 1.

FIG. 4 is a left elevation view of the vacuum cleaner base of FIG. 1.

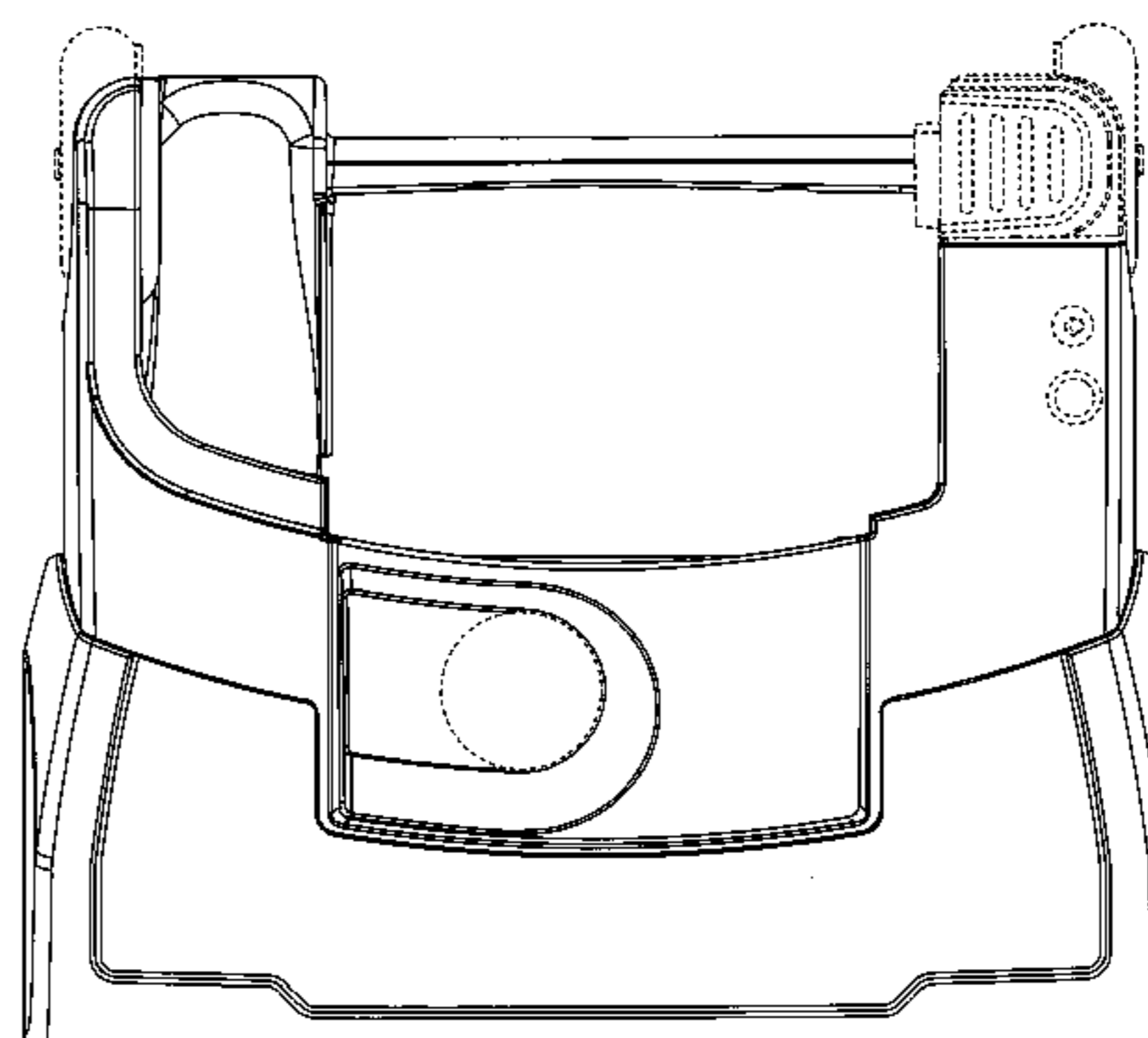
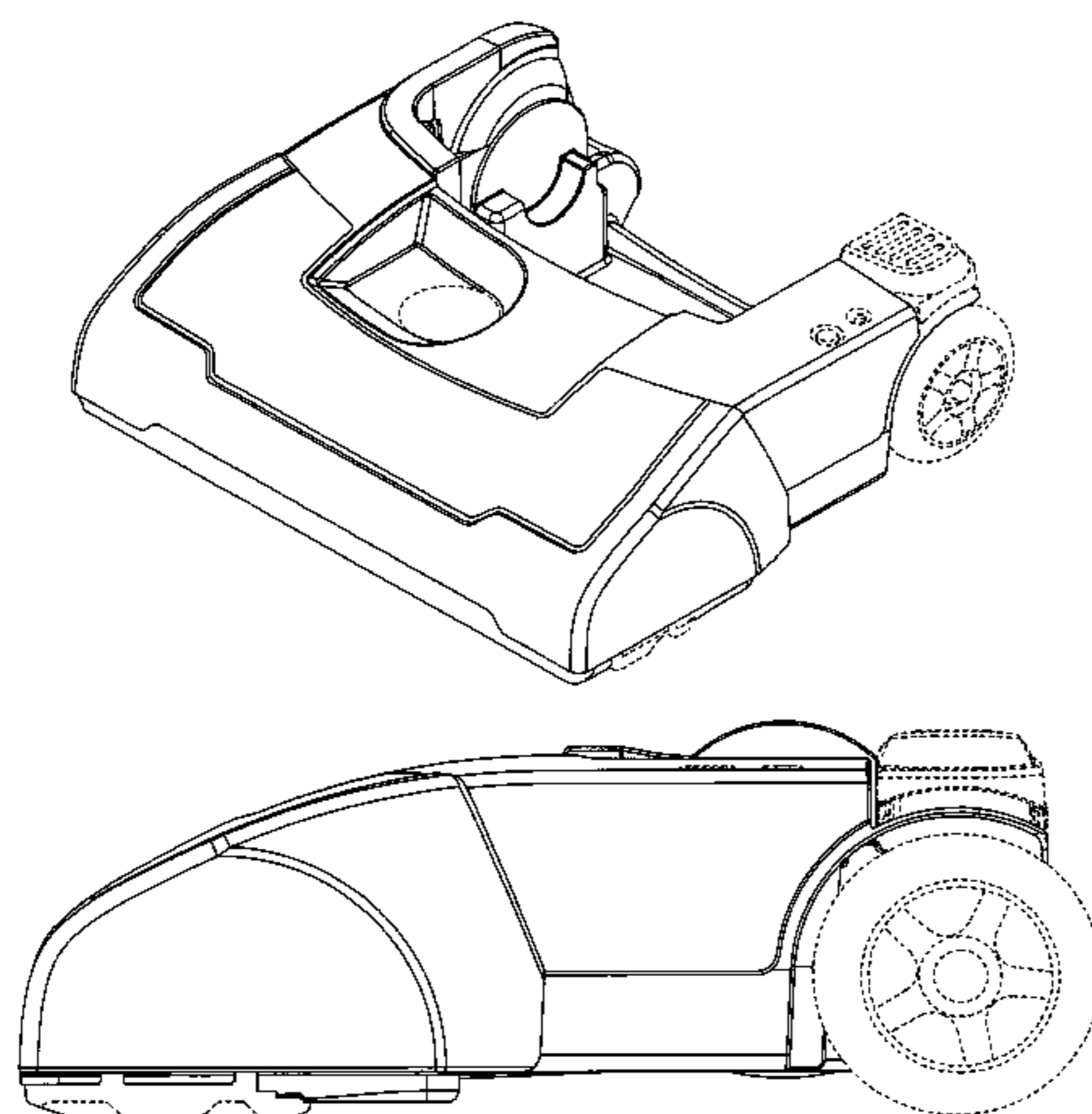
FIG. 5 is a right elevation view of the vacuum cleaner base of FIG. 1.

FIG. 6 is a top plan view of the vacuum cleaner base of FIG. 1; and,

FIG. 7 is a bottom plan view of the vacuum cleaner base of FIG. 1.

The broken lines represent environment that forms no part of the claimed design.

**1 Claim, 7 Drawing Sheets**



U.S. PATENT DOCUMENTS

5,826,301	A	10/1998	Kang et al.	
5,836,620	A	11/1998	Wang et al.	
5,839,161	A	11/1998	Liang	
D411,669	S *	6/1999	Wareham .....	D32/32
D412,227	S *	7/1999	Wareham et al. ....	D32/32
D412,380	S *	7/1999	Wareham .....	D32/32
5,941,575	A	8/1999	Herbst	
5,946,771	A	9/1999	Bosyj et al.	
D427,399	S *	6/2000	Thur et al. ....	D32/33
6,079,077	A	6/2000	Kajihara et al.	
6,098,245	A	8/2000	Satterfield et al.	
D439,383	S *	3/2001	Salo et al. ....	D32/32
6,237,962	B1	5/2001	Lim	
6,317,921	B1	11/2001	Park et al.	
6,431,607	B1	8/2002	Kittelmann et al.	
6,435,754	B1	8/2002	Canale	
6,454,308	B1	9/2002	Kim	
6,474,696	B1	11/2002	Canale	
6,494,492	B1	12/2002	Ha	
6,513,191	B1	2/2003	Kim	
6,519,810	B2	2/2003	Kim	
6,530,118	B2	3/2003	Oh	
6,565,123	B2	5/2003	Schiemann et al.	
D475,823	S *	6/2003	Medema et al. ....	D32/32
6,588,051	B2	7/2003	Hashizume et al.	
6,609,270	B2	8/2003	Kim	
6,612,617	B2	9/2003	Xu	
6,632,674	B1	10/2003	Warburton	
D487,602	S *	3/2004	Roberts et al. ....	D32/32
6,766,559	B2	7/2004	Roney et al.	
6,807,707	B2	10/2004	Park et al.	
6,820,305	B2	11/2004	Albert et al.	
6,832,784	B1	12/2004	Chen	
6,845,543	B2	1/2005	Kim	
6,991,262	B1	1/2006	Ragner	
7,025,383	B2	4/2006	Canale	
D553,314	S *	10/2007	Parr et al. ....	D32/32
2004/0060144	A1	4/2004	Bowden et al.	
2004/0237246	A1	12/2004	Nam et al.	
2005/0022336	A1	2/2005	Overvaag et al.	
2005/0044660	A1	3/2005	Kim	
2005/0071945	A1	4/2005	Lee	
2006/0026791	A1	2/2006	Fischer et al.	
2006/0070204	A1	4/2006	Blocker et al.	

OTHER PUBLICATIONS

Unknown Author; "Clarke DMU 14 & 18 Brochure;" downloaded from <http://www.clarkeus.com/upload/products/carpetvacuums/dmu/docs/71178a%20dmu%20uprights.pdf> on Jun. 28, 2007; 4 pages.

Unknown Author; "Clarke FiltraVacs and CombiVacs Brochure;" downloaded from [http://www.clarkeus.com/upload/product\\_images-500x500/carpetvacuums/combivac/docs/70871a%20filtravac%20combivac.pdf](http://www.clarkeus.com/upload/product_images-500x500/carpetvacuums/combivac/docs/70871a%20filtravac%20combivac.pdf) on Jun. 28, 2007; 4 pages.

Unknown Author; "Lindhaus RX Brochure;" downloaded from [http://www.lindhaus.it/pages/rx/rx\\_02.pdf](http://www.lindhaus.it/pages/rx/rx_02.pdf) on Jun. 28, 2007; 4 pages.

Unknown Author; "Hoover Dubl-Duty Ad;" downloaded from <http://www.hoover.com/db/xq/asp.hvrProductMain/CatID.9/SubID.26/ProdID.217/ModID.1811/qx/Dubl%2DDuty2%2DMotorUprightVacuum.htm> on Jun. 28, 2007; 1 pages.

Unknown Author; "Hoover Soft Guard Ad (model C1700900);" downloaded from <http://www.hoover.com/db/xq/asp.hvrProductMain/CatID.9/SubID.20/ProdID.195/ModID.1737/qx/SoftGuard.htm> on Jun. 28, 2007; 4 pages.

Unknown Author; "Hoover Soft Guard Ad (model C1702900);" downloaded from <http://www.hoover.com/db/xq/asp.hvrProductMain/prodid.195/SubID.20/ModID.1736/qx/CommercialSoftGuard.htm> on Jun. 28, 2007; 1 pages.

Unknown Author; "Sanitaire Dual Motor SC785 Owner's Guide;" downloaded from <http://www.eureka.com/servlet/FindOwnersGuide> on Jun. 28, 2007; 16 pages.

Unknown Author; "Sanitaire Dual Motor SC6600 Manual;" downloaded from [http://www.eureka.com/service/manuals/73426%2002\\_27\\_04.pdf](http://www.eureka.com/service/manuals/73426%2002_27_04.pdf) on Jun. 28, 2007; 20 pages.

Unknown Author; "Sanitaire Dual Motor SC6610 Manual;" downloaded from <http://www.eureka.com/service/manuals/73633.pdf> on Jun. 28, 2007; 20 pages.

Unknown Author; "Windsor Sensor SRS 15 Manual;" downloaded from <http://www.windsorind.com/documents/servicemanuals/1.012-002.0.pdf> on Jun. 28, 2007; 10 pages.

Unknown Author; "Windsor Sensor XP 12 Manual;" downloaded from <http://www.windsorind.com/documents/servicemanuals/1.012-024.0.pdf> on Jun. 28, 2007; 10 pages.

Unknown Author; "Windsor Sensor XP 18 Manual;" downloaded from <http://www.windsorind.com/documents/servicemanuals/1.012-030.0.pdf> on Jun. 28, 2007; 10 pages.

Unknown Author; "Windsor Versamatic Brochure;" downloaded from <http://www.windsorind.com/documents/brochures/1.012-036.0.pdf> on Jun. 28, 2007; 2 pages.

Unknown Author; "Windsor Versamatic VS 14/ VS 18 Manual;" downloaded from <http://www.windsorind.com/documents/servicemanuals/1.012-034.0.pdf> on Jun. 28, 2007; 16 pages.

Unknown Author; "Sebo Commercial Brochure;" downloaded from <http://www.sebo.co.uk/Images/bs3646broch.pdf> on Jun. 28, 2007; 8 pages.

\* cited by examiner

Fig. 1

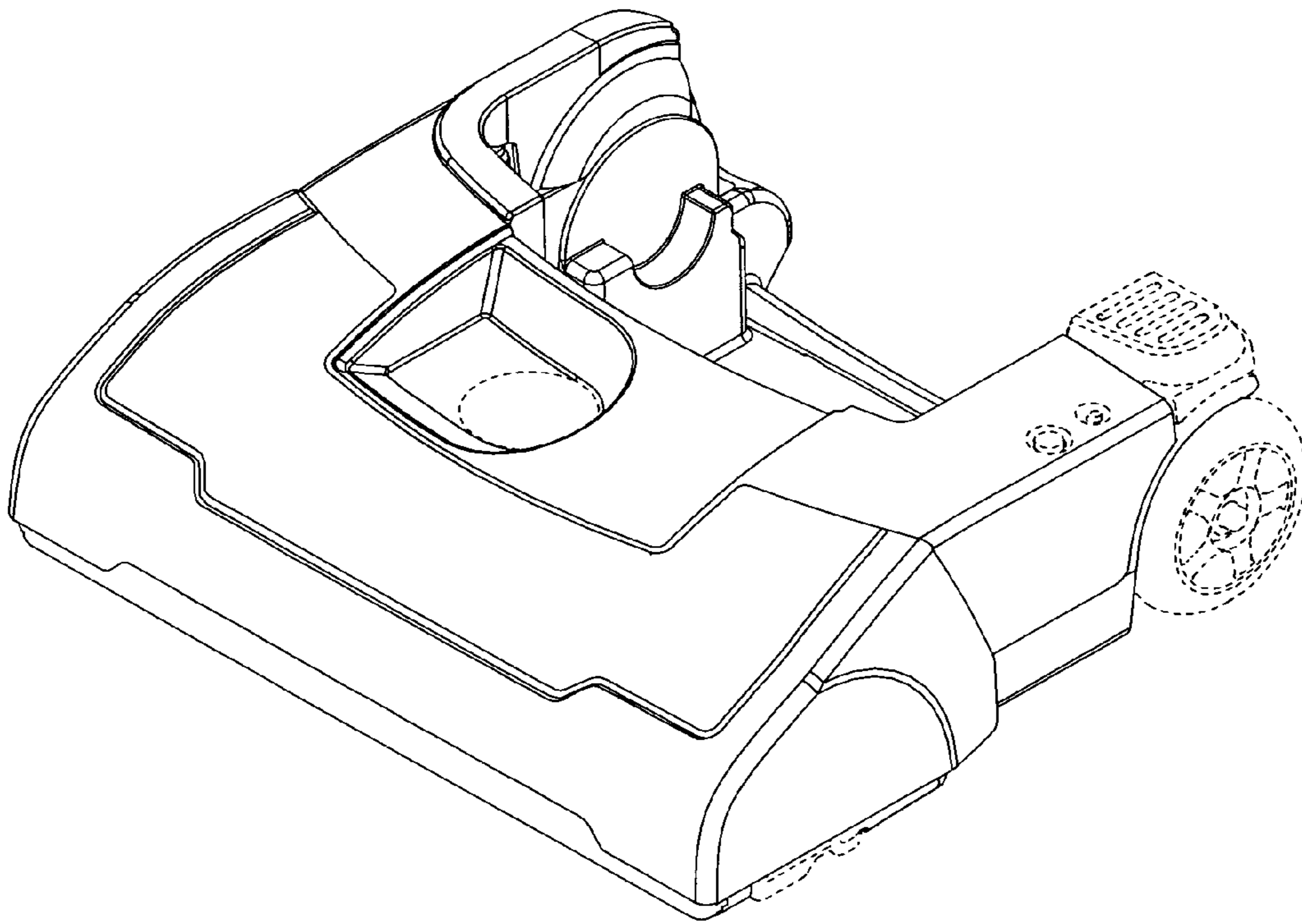


Fig. 2

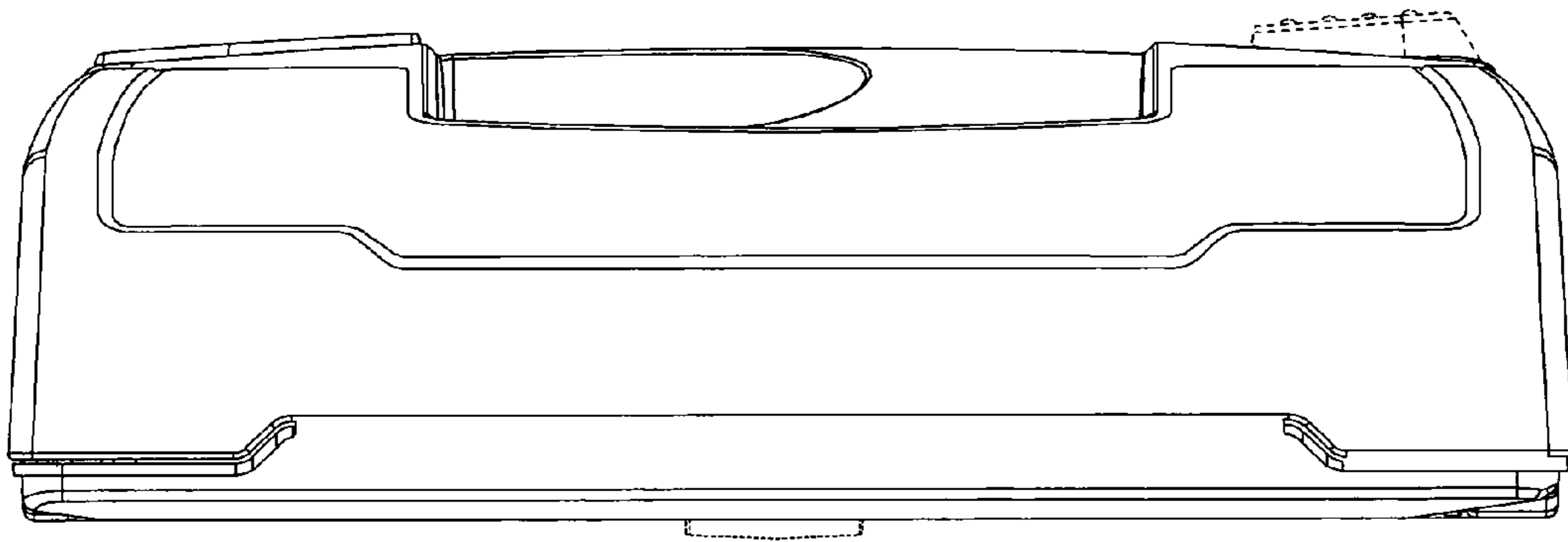


Fig. 3

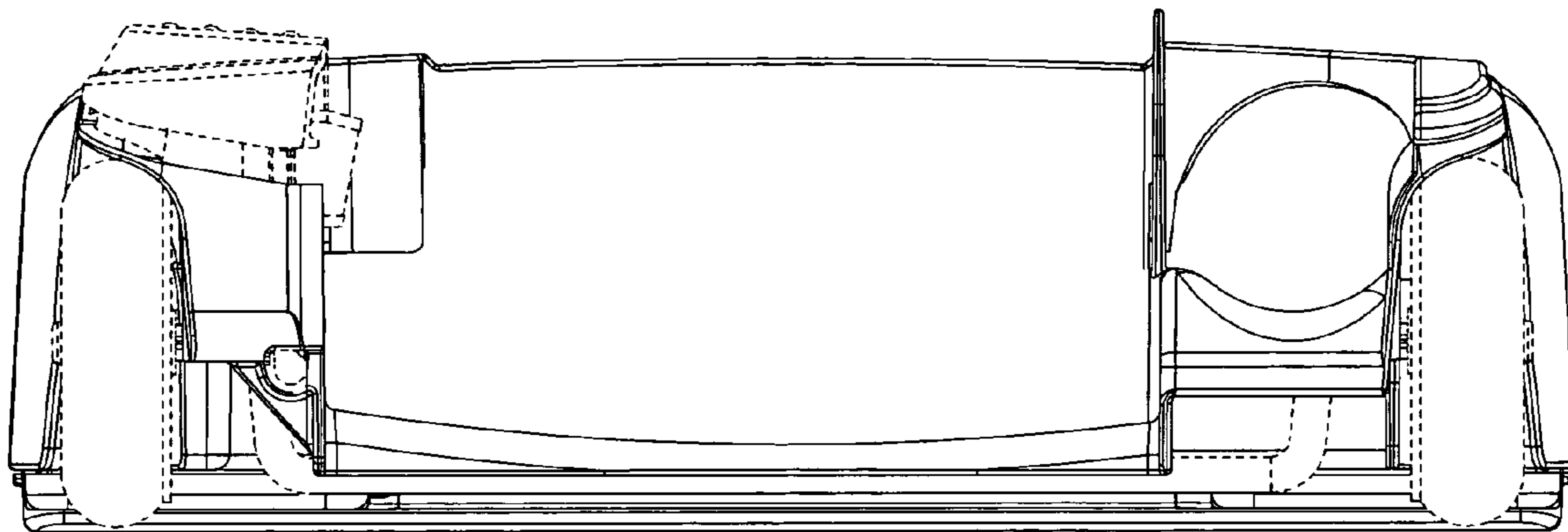


Fig. 4

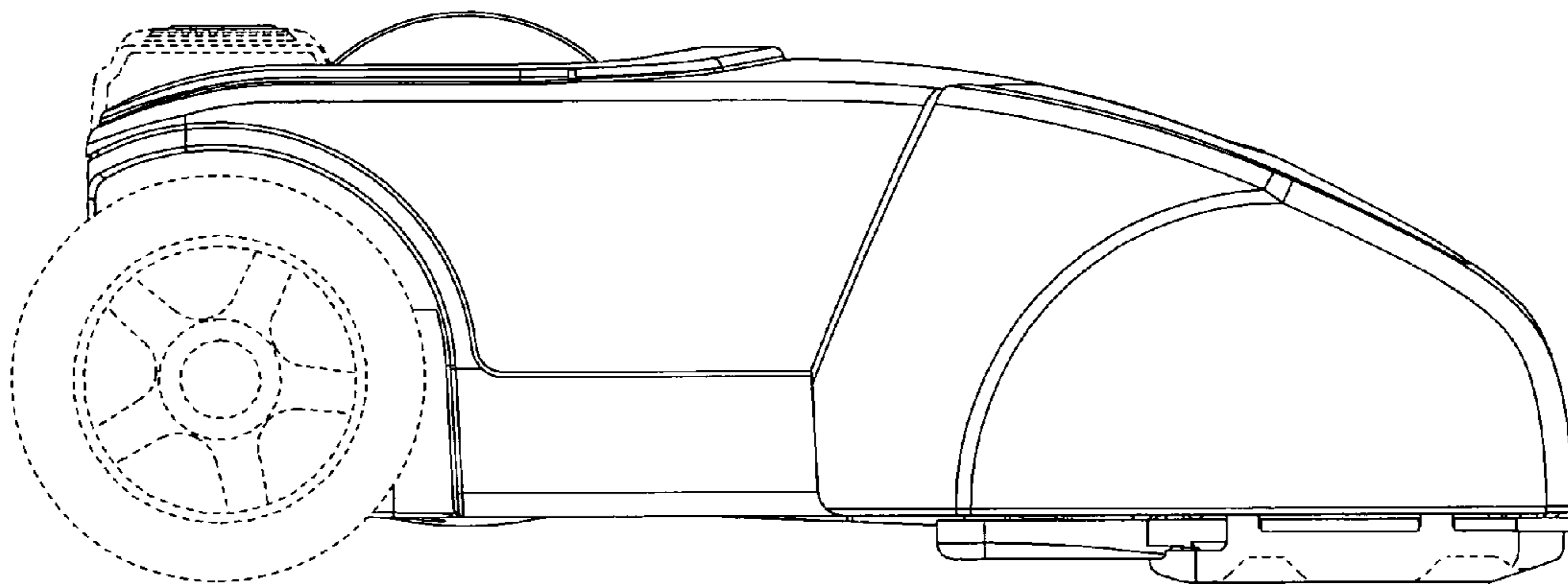


Fig. 5

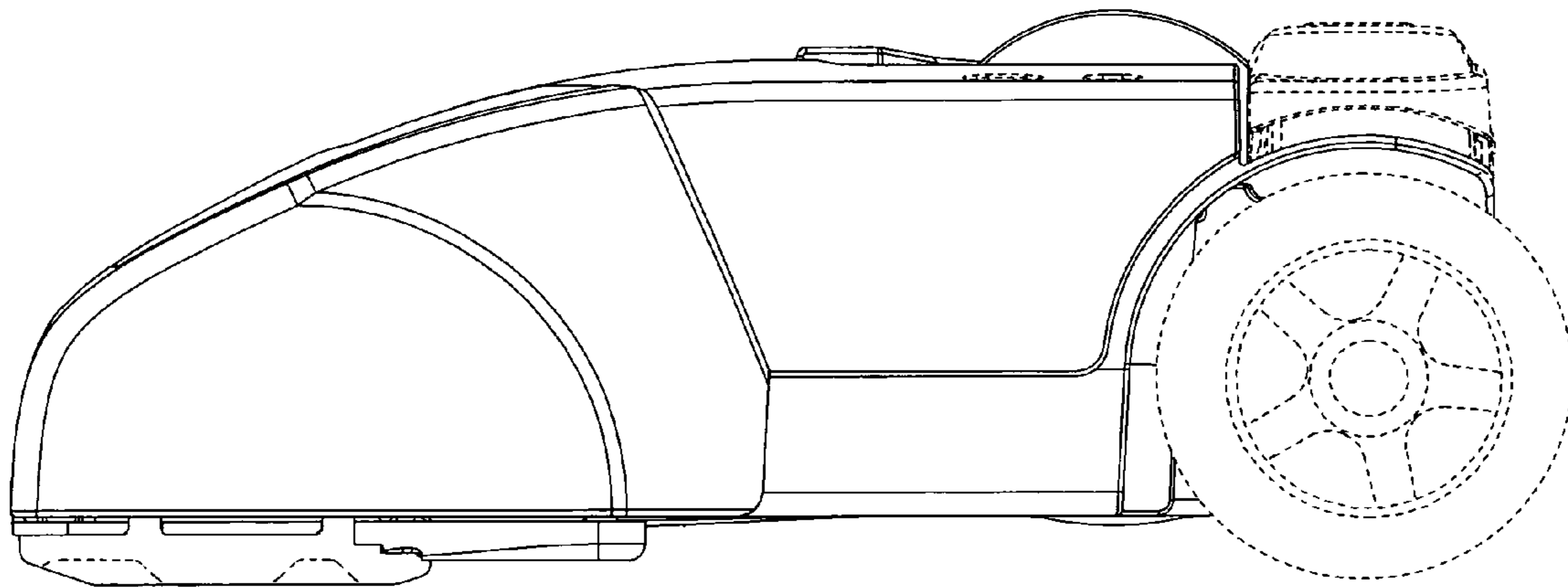


Fig. 6

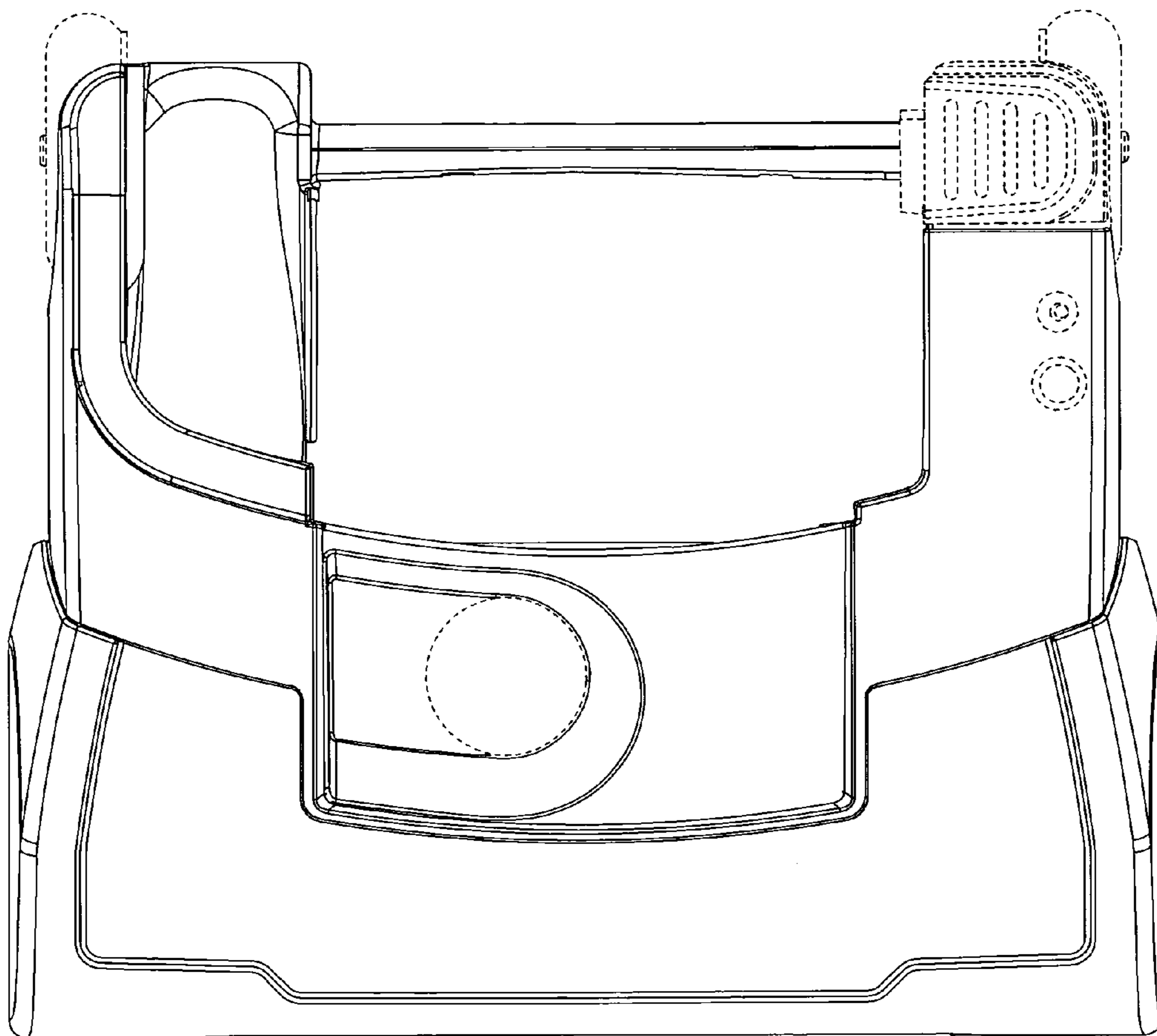




Fig. 7

