



US00D571058S

(12) **United States Design Patent**  
**Grooms**

(10) **Patent No.:** **US D571,058 S**  
(45) **Date of Patent:** **\*\* Jun. 10, 2008**

(54) **DOG HARNESS**

(76) Inventor: **Joseph G. Grooms**, 3610 Fifth Ave.  
South, Billings, MT (US) 59101

(\*\*) Term: **14 Years**

(21) Appl. No.: **29/288,575**

(22) Filed: **Jun. 15, 2007**

(51) **LOC (8) Cl.** ..... **30-04**

(52) **U.S. Cl.** ..... **D30/152**

(58) **Field of Classification Search** ..... D30/152,  
D30/144; 119/702, 712, 792, 815, 818, 856,  
119/863, 864, 905, 907; D21/805, 804; D3/217,  
D3/327; D29/101.1, 101.5, 101.3; D24/190;  
D34/28

See application file for complete search history.

(56) **References Cited**

**U.S. PATENT DOCUMENTS**

526,593	A *	9/1894	Waters	.....	54/6.2
2,187,021	A	1/1940	Everson		
4,566,255	A *	1/1986	DeGroot	.....	54/24
4,852,336	A *	8/1989	Gammill	.....	54/24
4,970,991	A	11/1990	Luce		
5,359,964	A	11/1994	Sporn		
5,794,571	A	8/1998	Goldberg		
5,992,352	A *	11/1999	Borchelt et al.	.....	119/856
D424,761	S	5/2000	Mortenson		

6,070,556	A	6/2000	Edwards		
6,161,505	A	12/2000	Noguero		
6,167,844	B1 *	1/2001	Cantrell et al.	.....	119/856
6,564,754	B1 *	5/2003	Cohen		
6,694,923	B1	2/2004	Fouche		
2003/0066494	A1 *	4/2003	Hippensteel	.....	119/792
2004/0025804	A1	2/2004	Smith et al.		

\* cited by examiner

*Primary Examiner*—Melanie Tung  
*Assistant Examiner*—Susan Moon Lee

(57) **CLAIM**

The ornamental design for a dog harness, as shown.

**DESCRIPTION**

FIG. 1 is a reduced perspective view of a new dog harness design;

FIG. 2 is a right side view thereof;

FIG. 3 is a left side view thereof;

FIG. 4 is a rear view thereof;

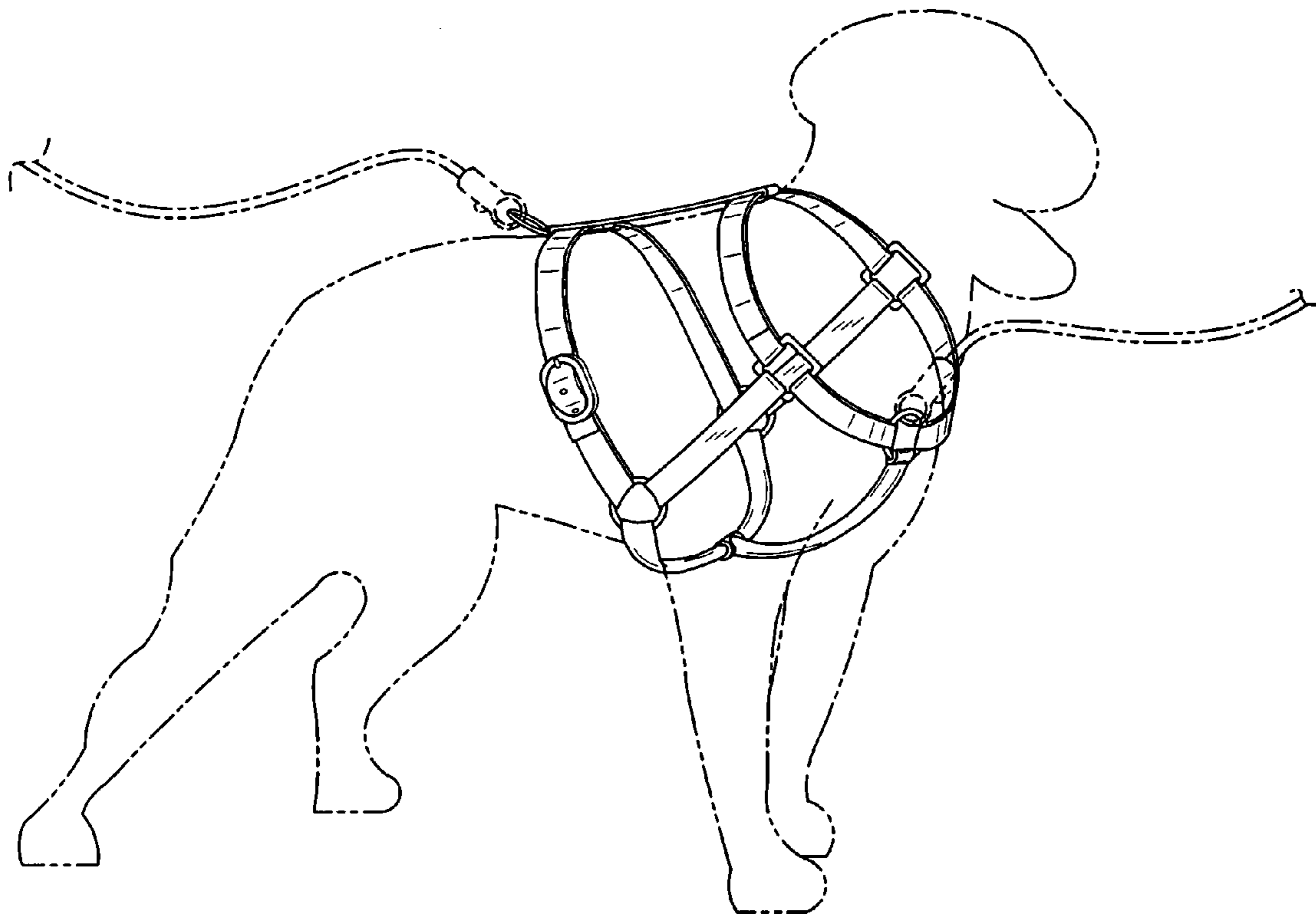
FIG. 5 is a front view thereof;

FIG. 6 is a top view thereof; and,

FIG. 7 is a bottom view.

The broken line portion of FIG. 1 is for illustrative purposes only and forms no part of the claimed design.

**1 Claim, 3 Drawing Sheets**



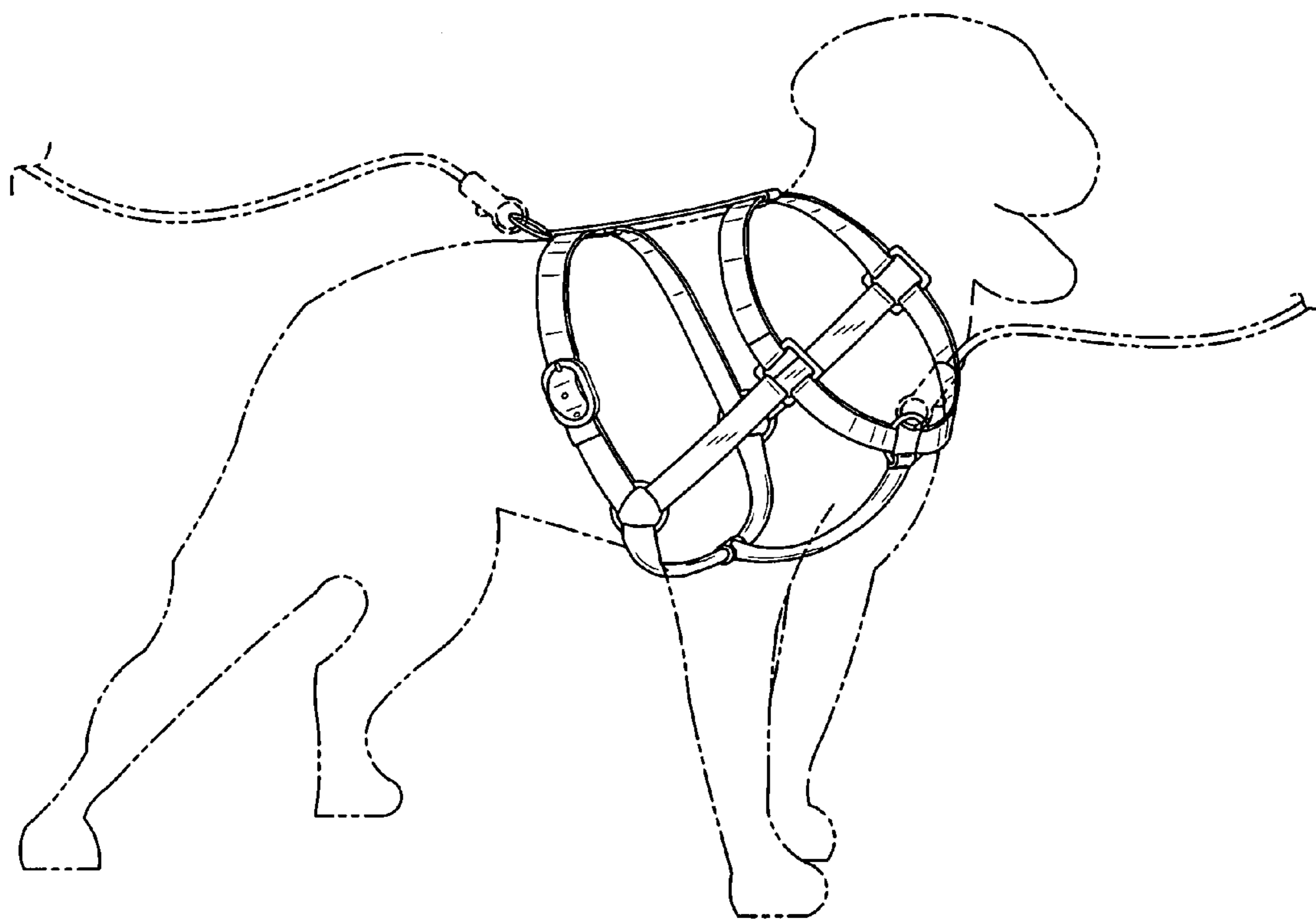


FIG. 1

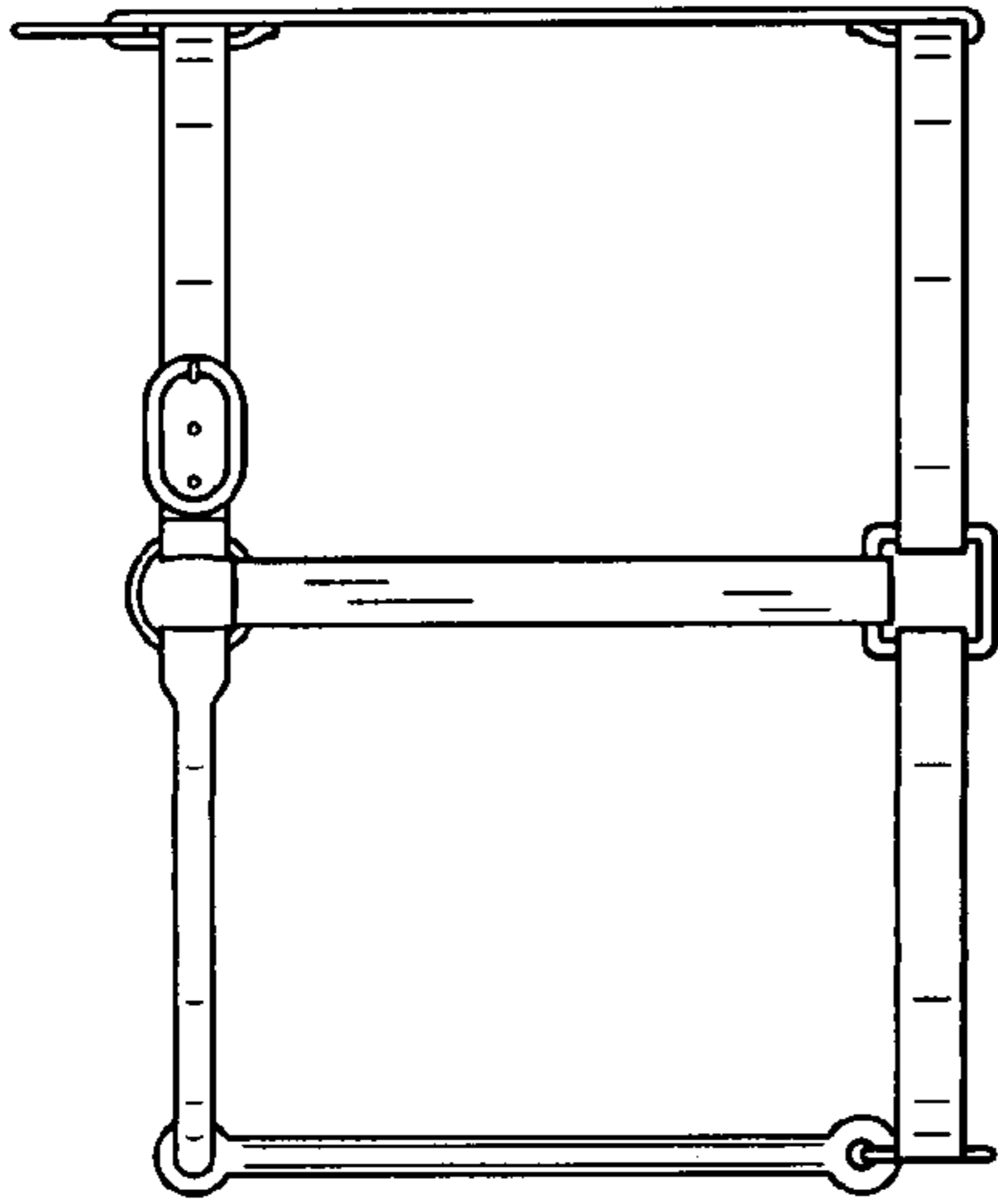


FIG. 2

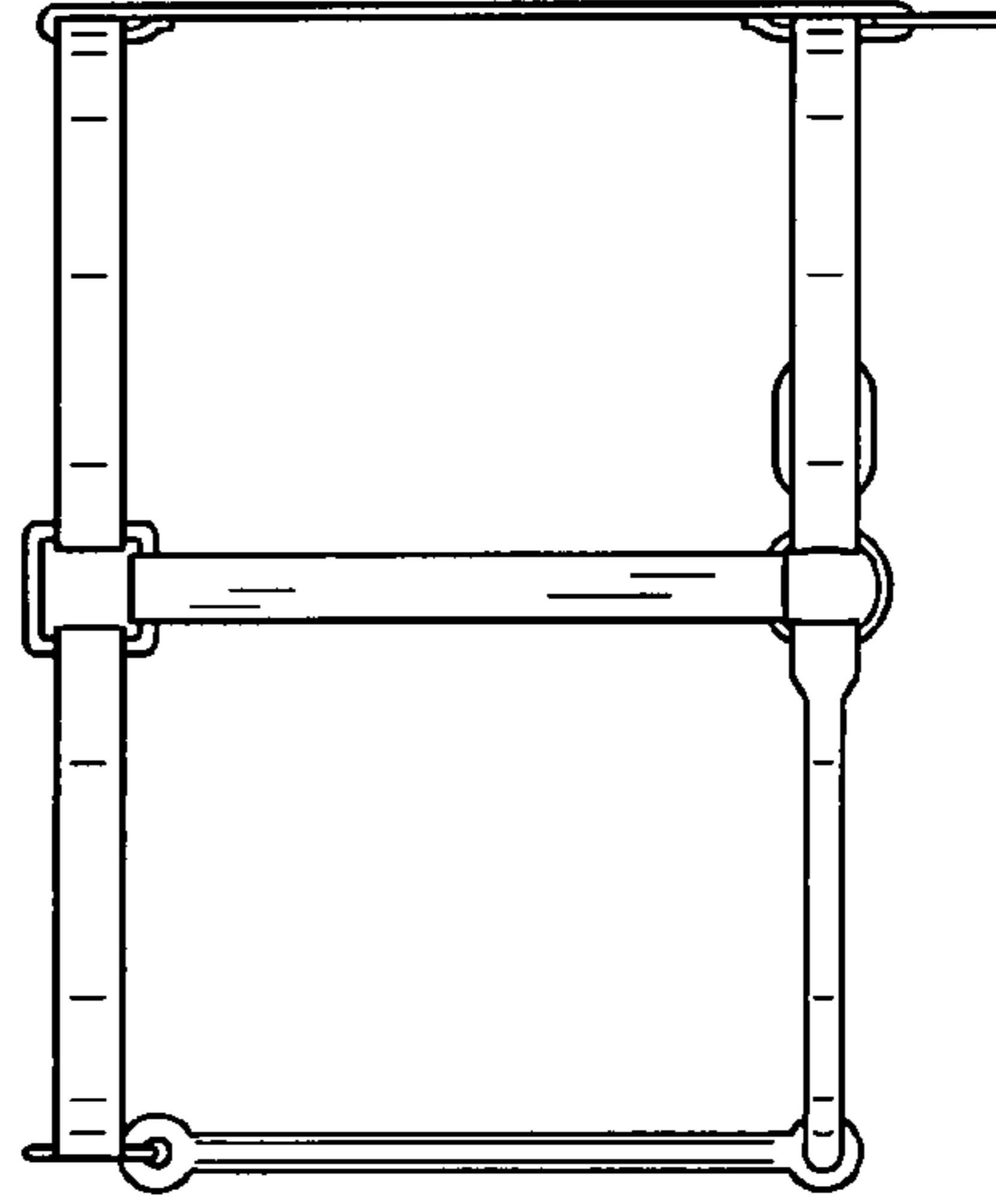


FIG. 3

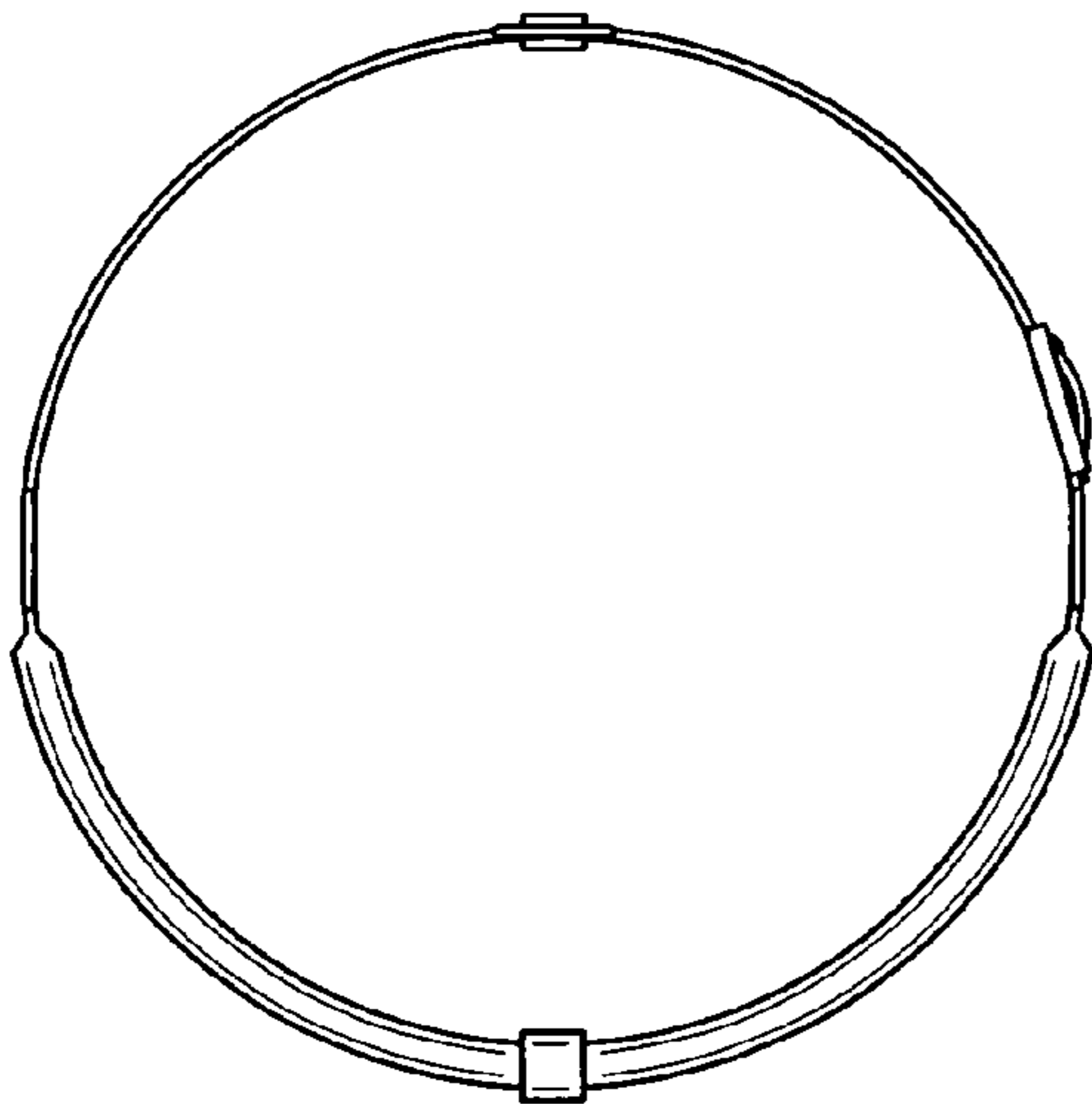


FIG. 4

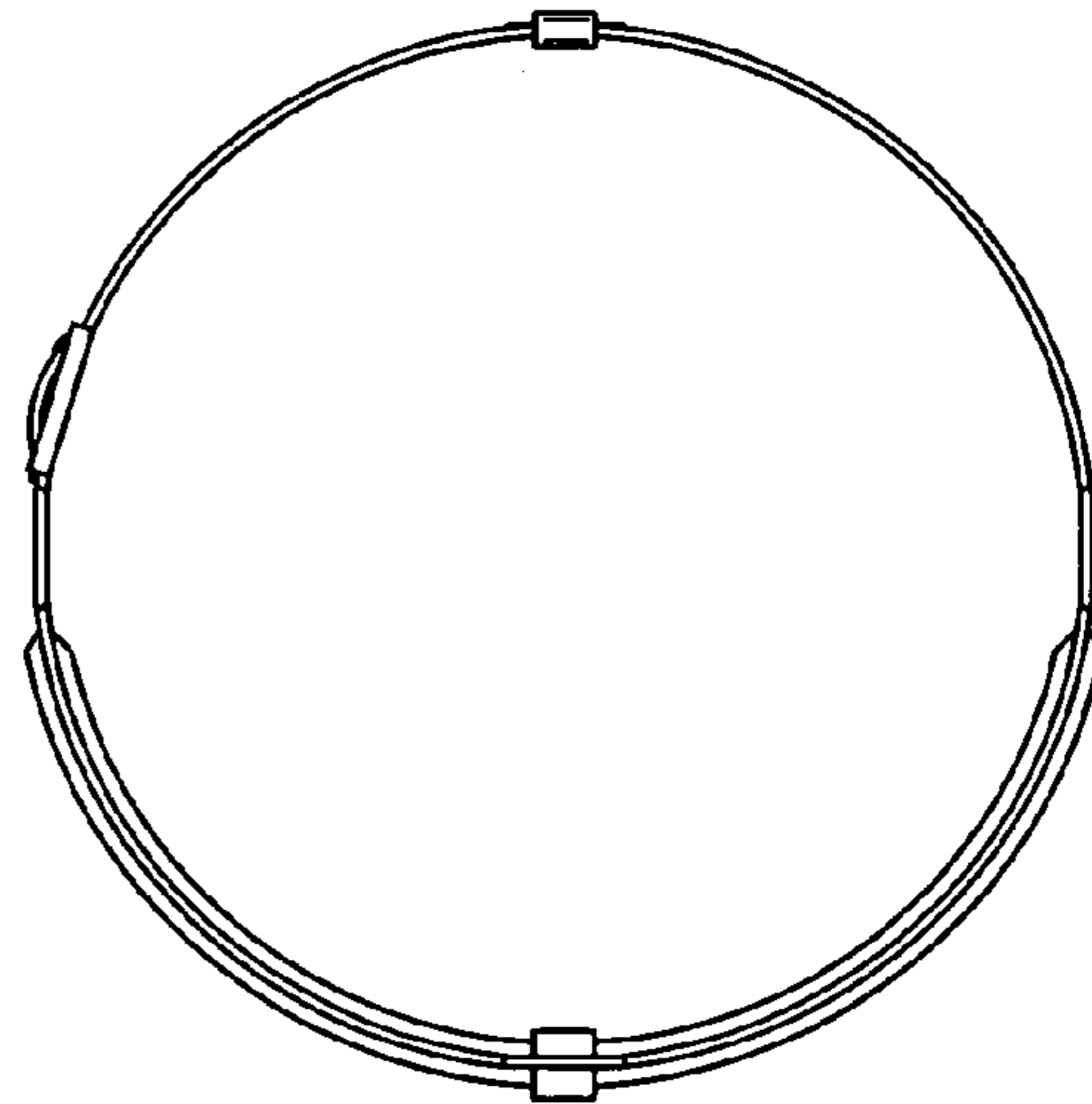


FIG. 5

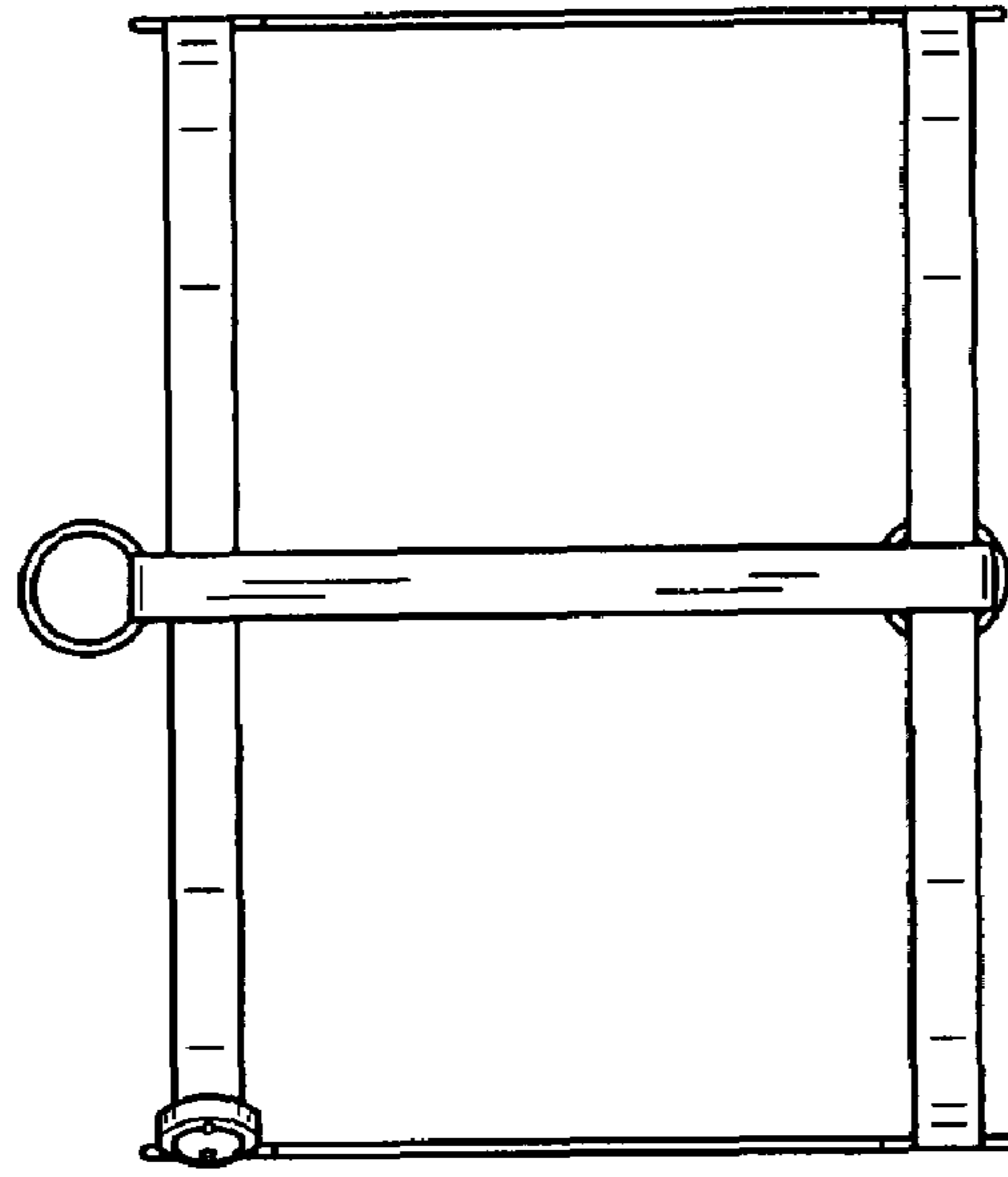


FIG. 6

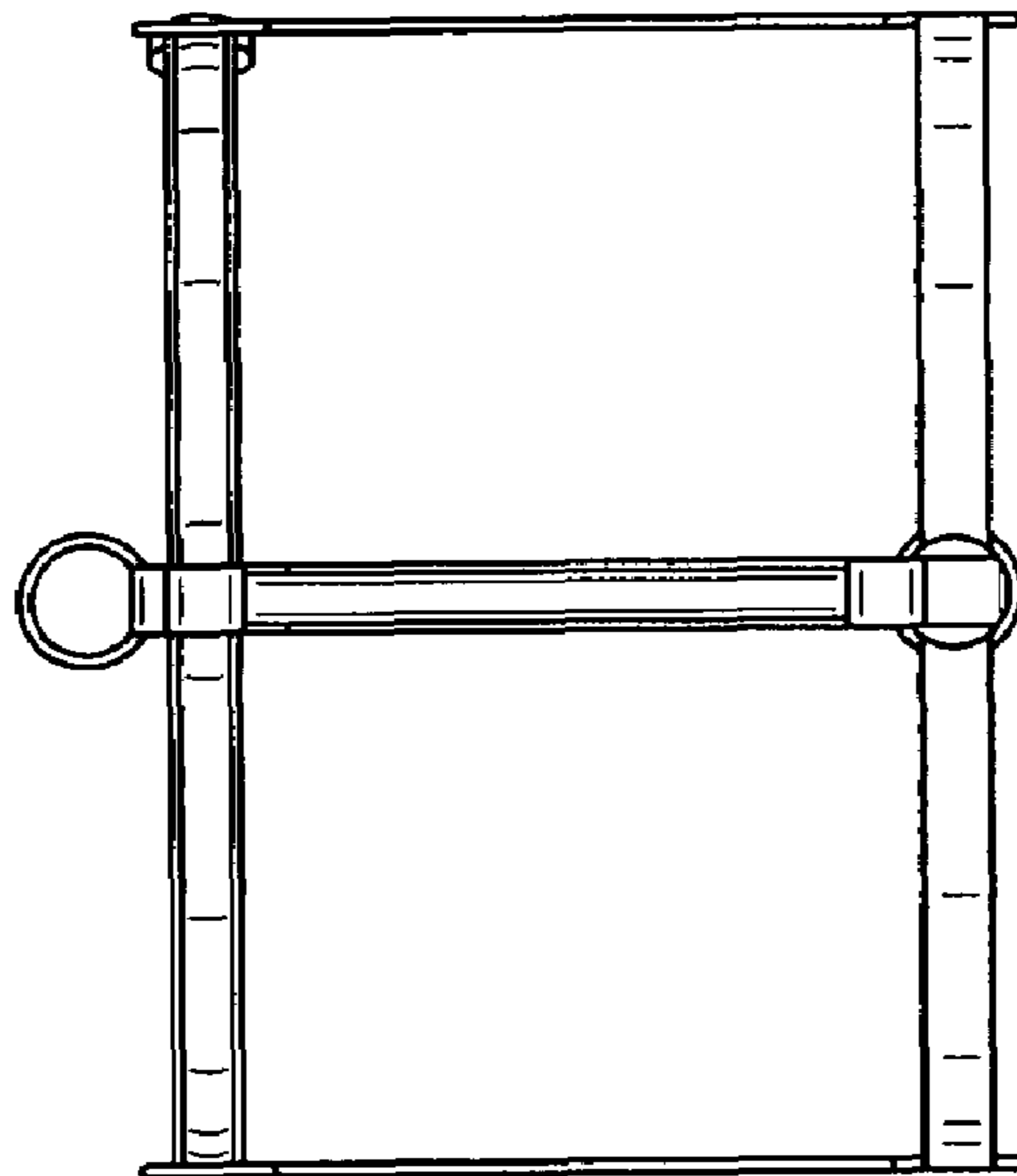


FIG. 7