

US00D571054S

(12) **United States Design Patent**
Donnelly

(10) **Patent No.:** **US D571,054 S**

(45) **Date of Patent:** **** Jun. 10, 2008**

(54) **PET CARRIER**

(75) Inventor: **Brian C. Donnelly**, Naperville, IL (US)

(73) Assignee: **Suncast Corporation**, Batavia, IL (US)

(**) Term: **14 Years**

(21) Appl. No.: **29/280,858**

(22) Filed: **Jun. 8, 2007**

(51) **LOC (8) Cl.** **30-02**

(52) **U.S. Cl.** **D30/109; D30/108**

(58) **Field of Classification Search** D30/108-111,
D30/114-119, 161; 119/161, 163-169, 452-456,
119/459, 461, 472, 474-475, 482, 484-485,
119/489, 496

See application file for complete search history.

(56) **References Cited**

U.S. PATENT DOCUMENTS

- 6,427,631 B1 * 8/2002 Ross 119/496
- 6,571,740 B1 * 6/2003 Kinder et al. 119/497
- D545,507 S * 6/2007 Harper et al. D30/108
- 2005/0284403 A1* 12/2005 Delino 119/497

2005/0284405 A1* 12/2005 Pomakoy-Poole et al. .. 119/497

* cited by examiner

Primary Examiner—Cathy Anne MacCormac

(74) *Attorney, Agent, or Firm*—McHale & Slavin, P.A.

(57) **CLAIM**

The ornamental design for a pet carrier, as shown and described.

DESCRIPTION

FIG. 1 is a top perspective view of the pet carrier of the instant invention;

FIG. 2 is a bottom perspective view thereof;

FIG. 3 is a front view thereof;

FIG. 4 is a rear view thereof;

FIG. 5 is a left side view thereof;

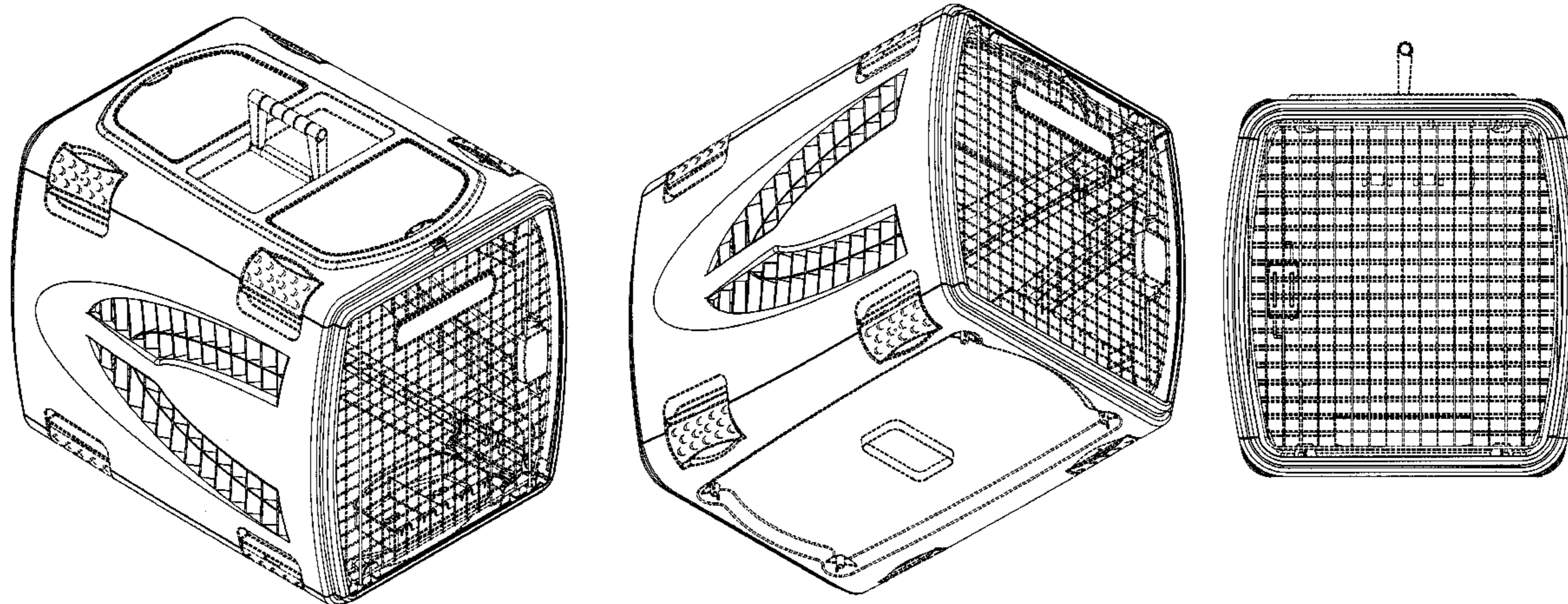
FIG. 6 is a right side view thereof;

FIG. 7 is a top view thereof; and,

FIG. 8 is a bottom view thereof.

The broken lines are for purpose of illustration only and form no part of the claimed design.

1 Claim, 8 Drawing Sheets



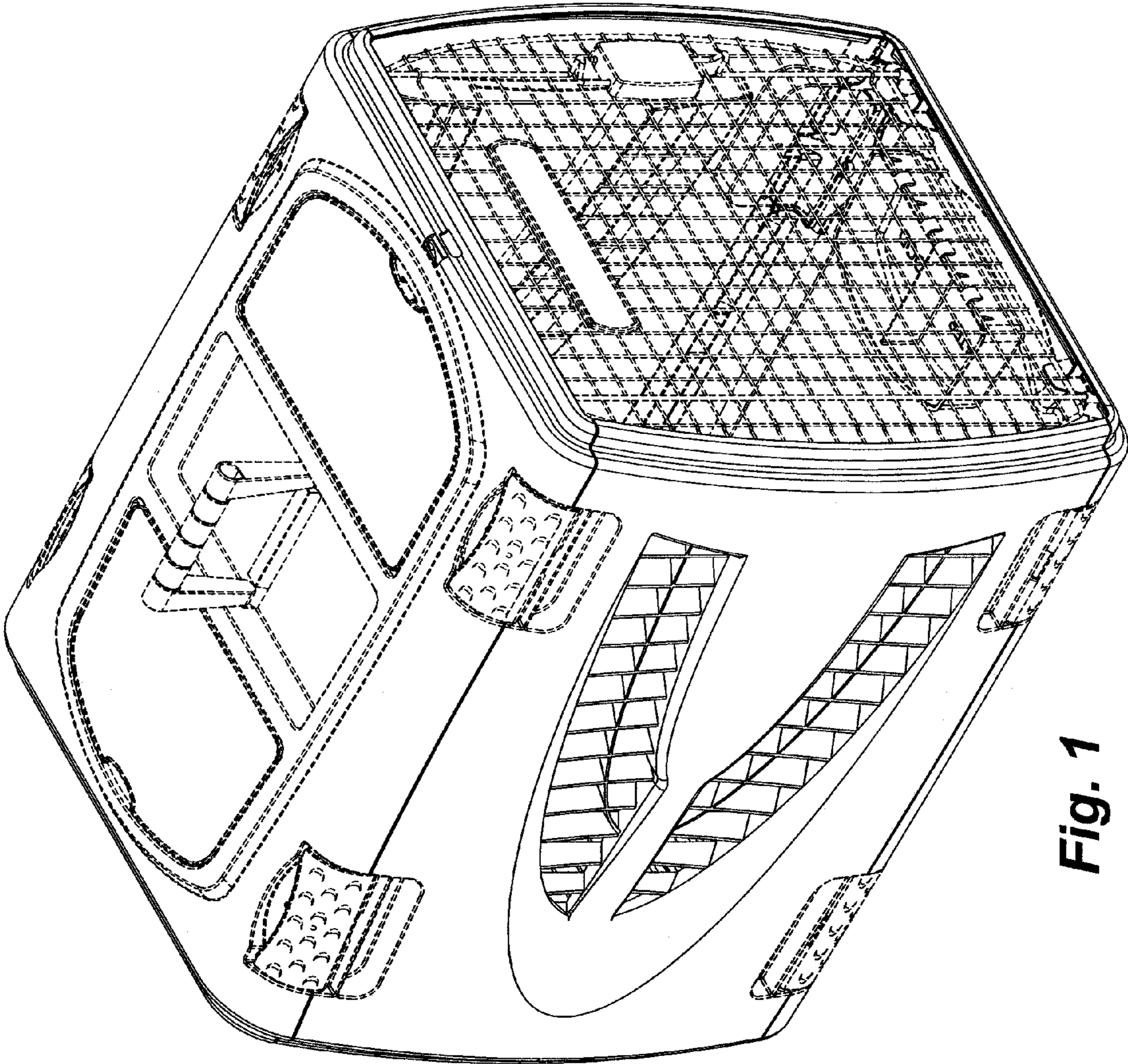


Fig. 1

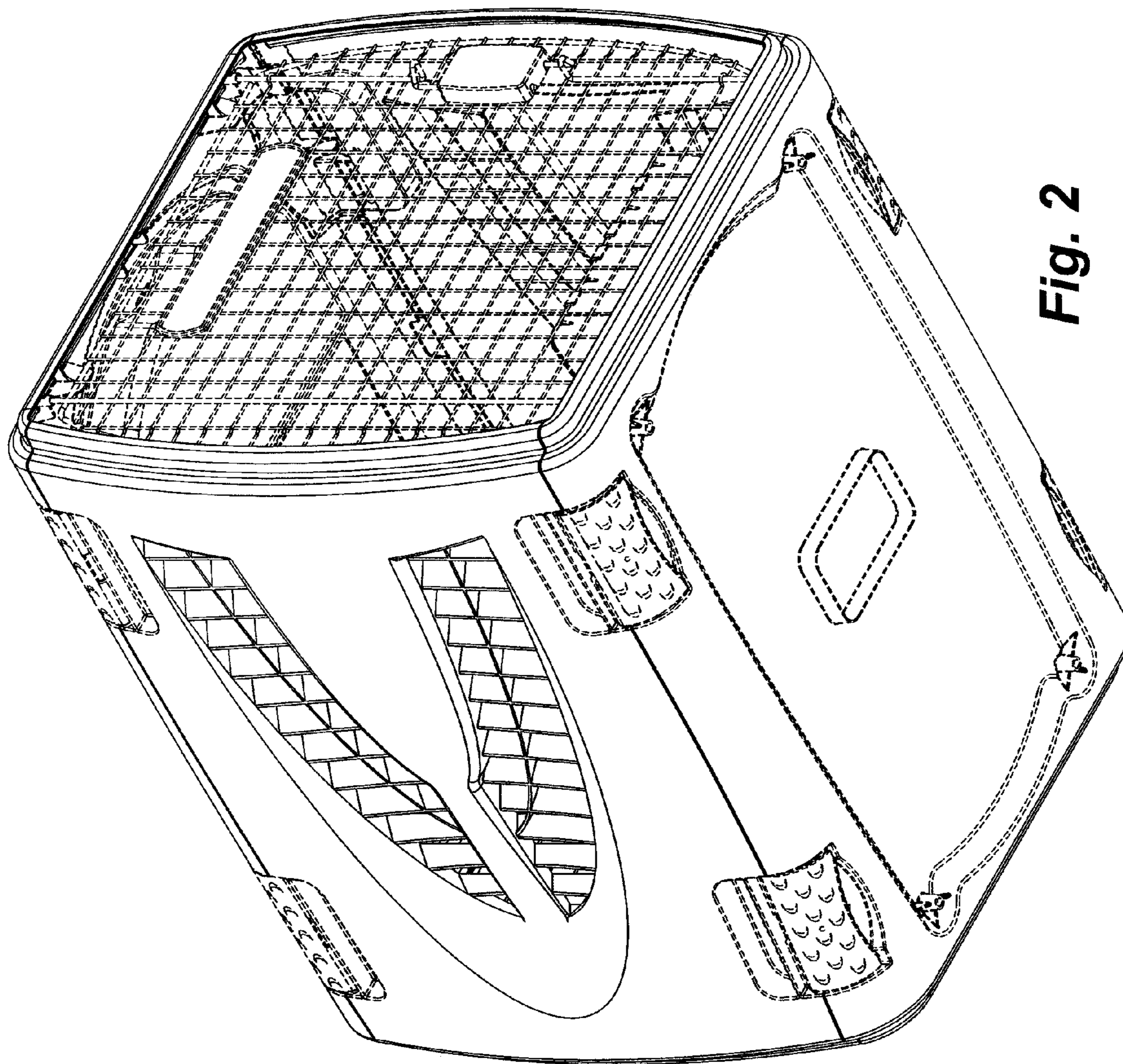


Fig. 2

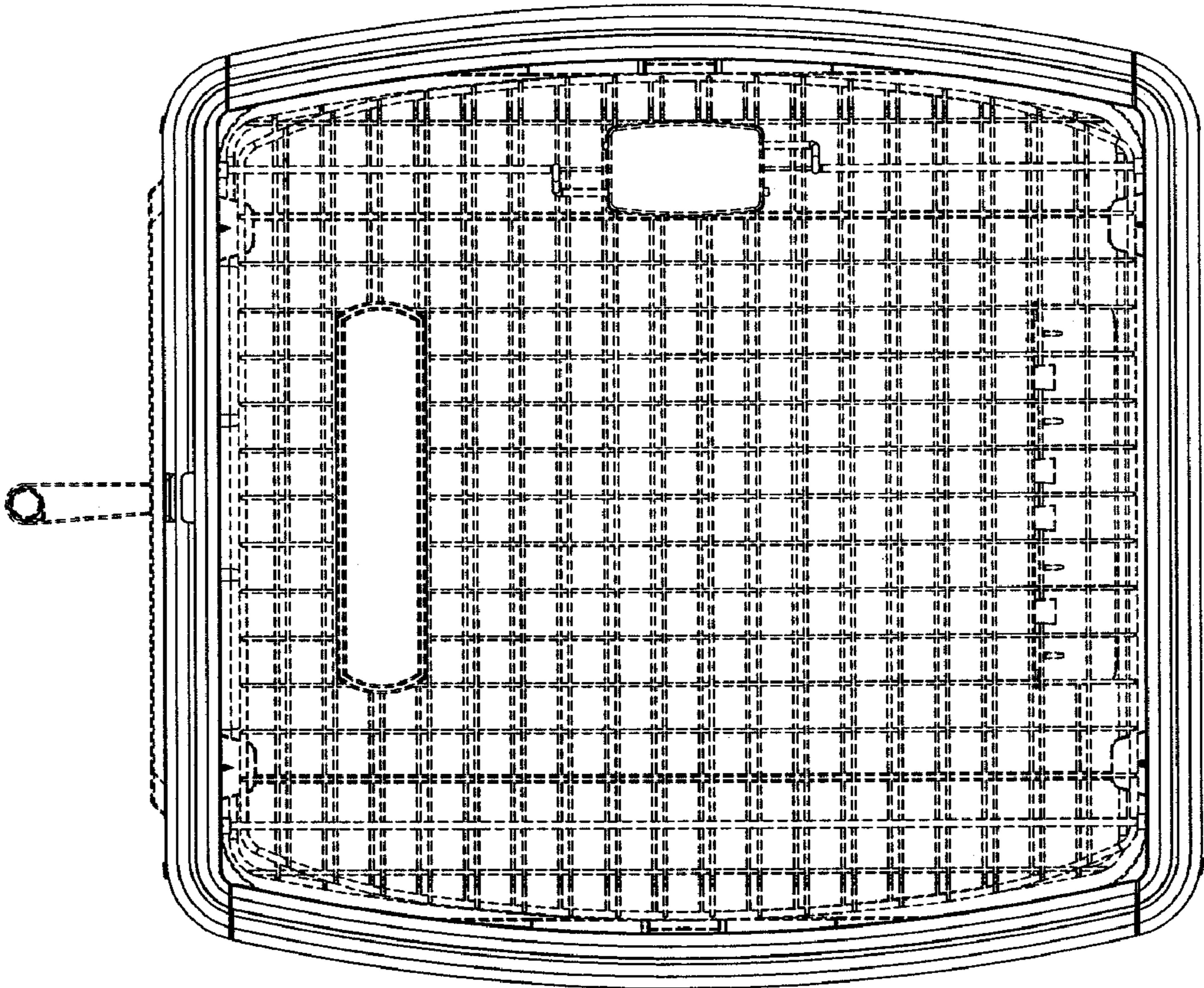


Fig. 3

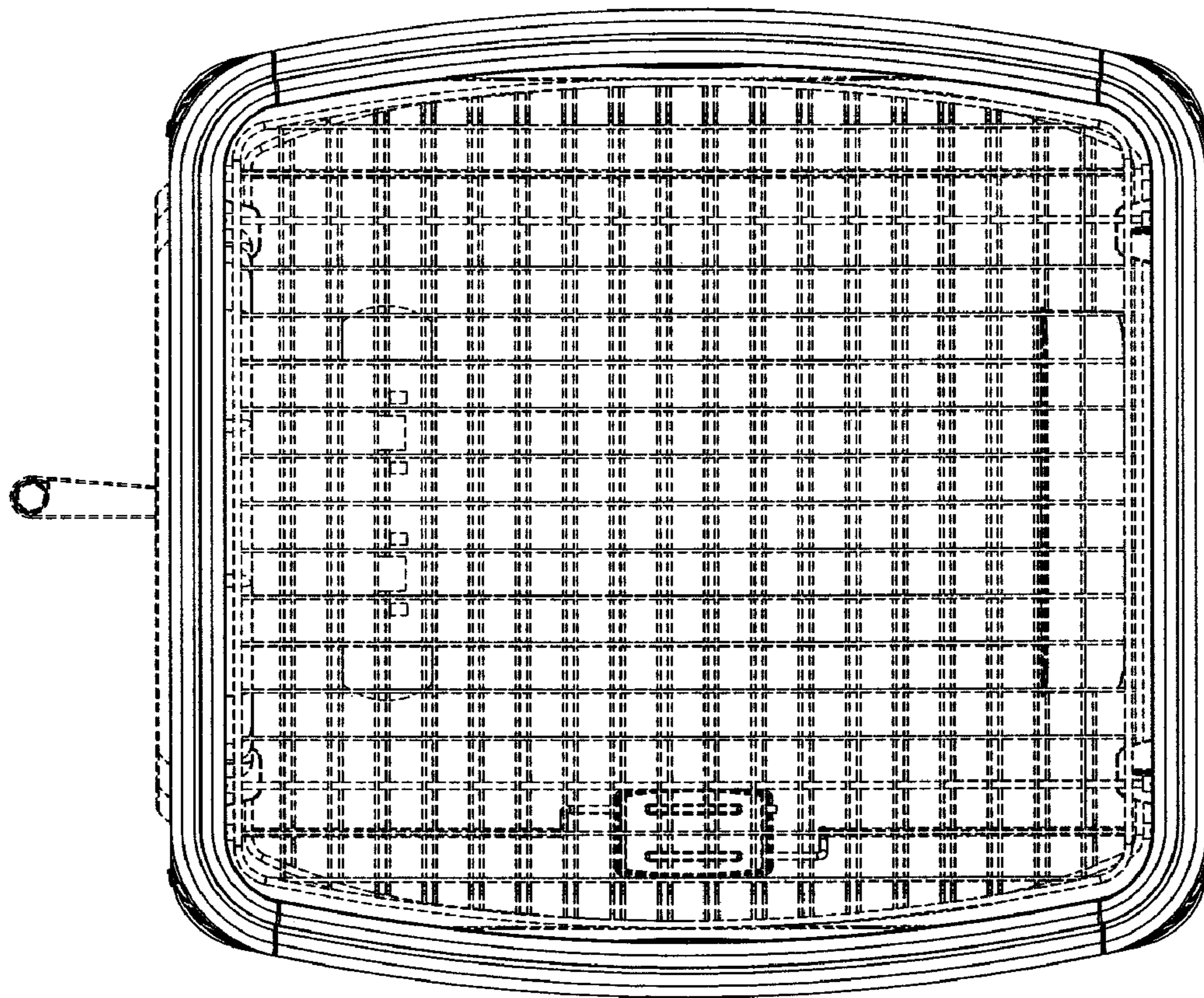


Fig. 4

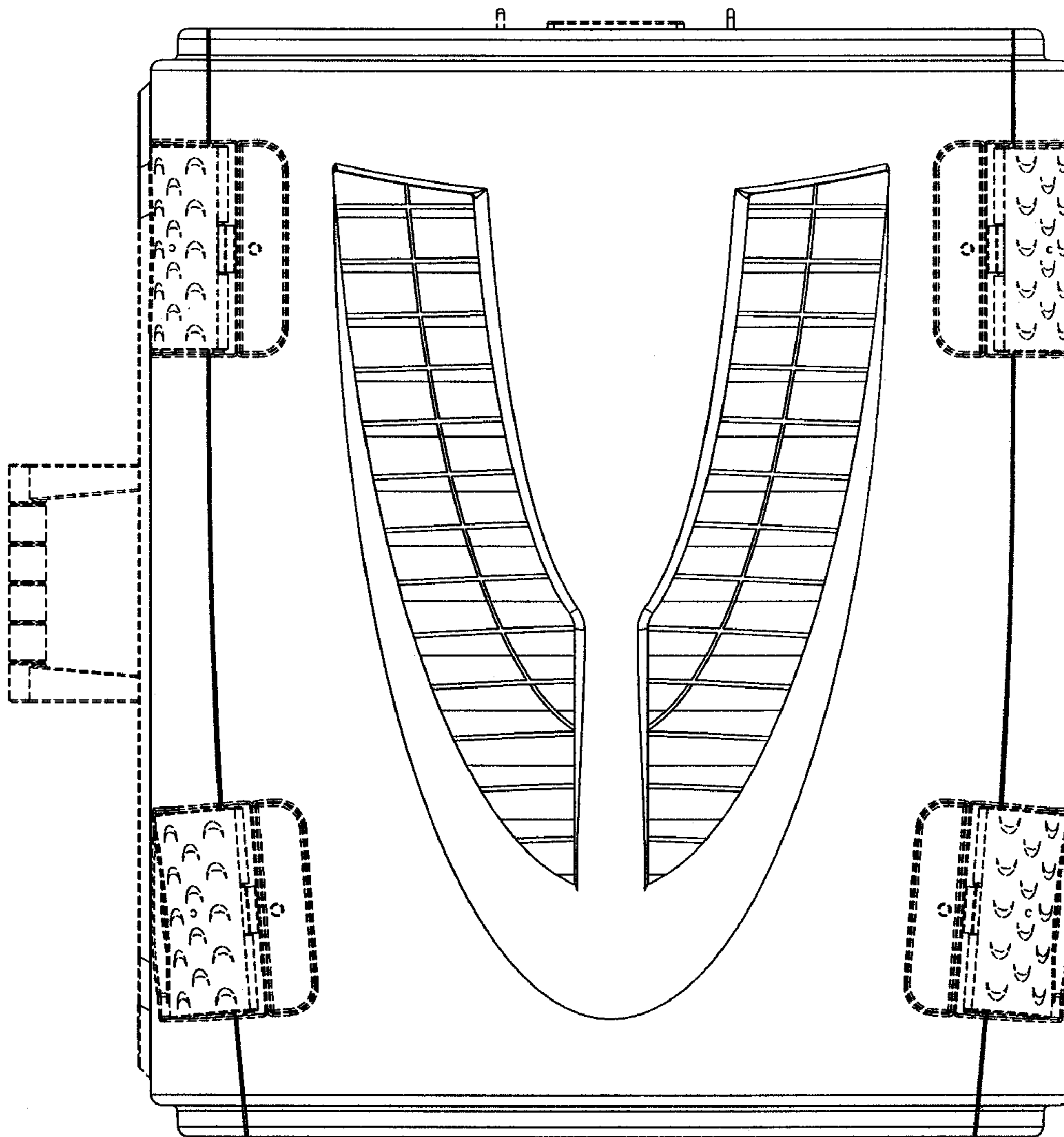


Fig. 5

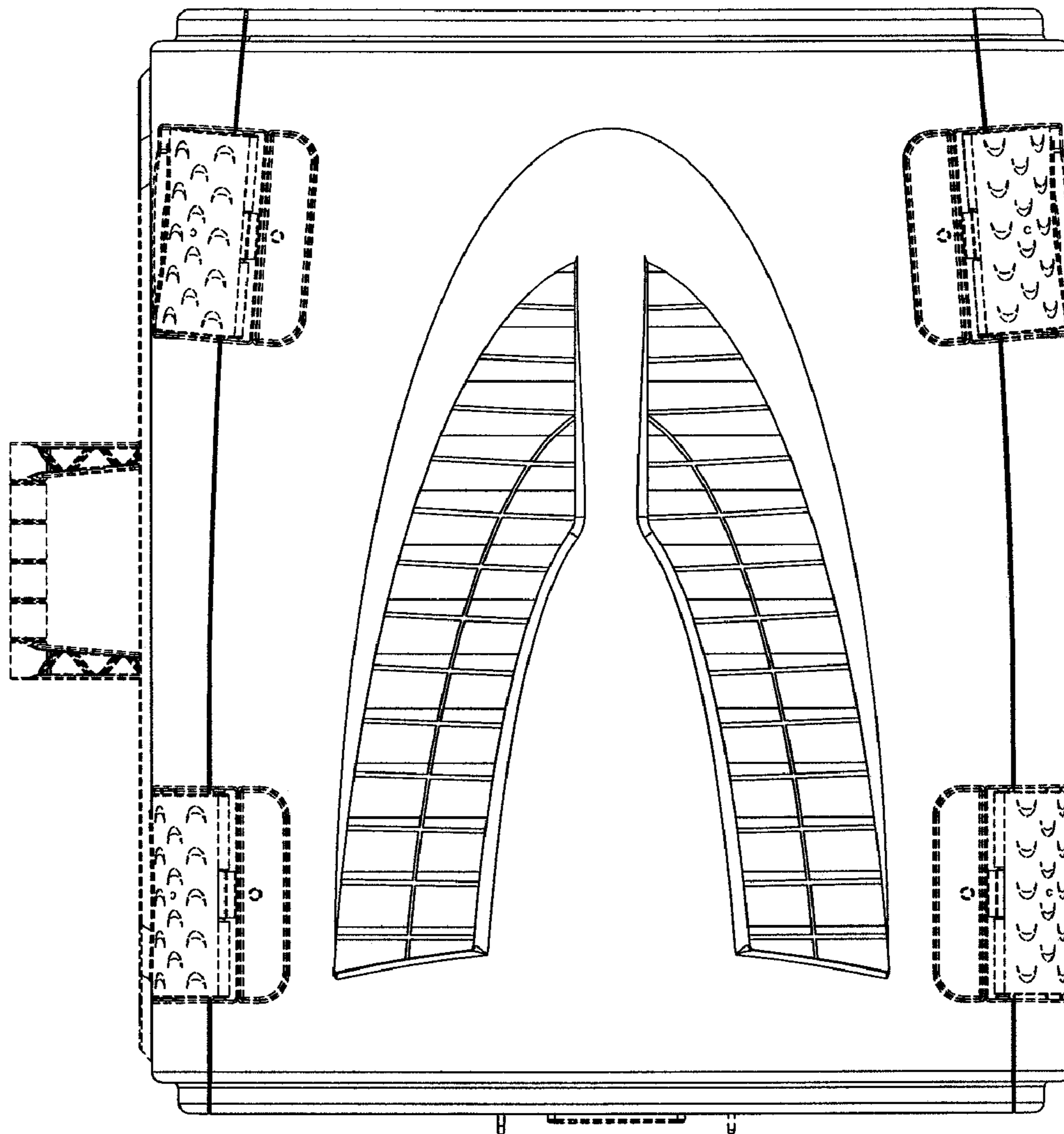


Fig. 6

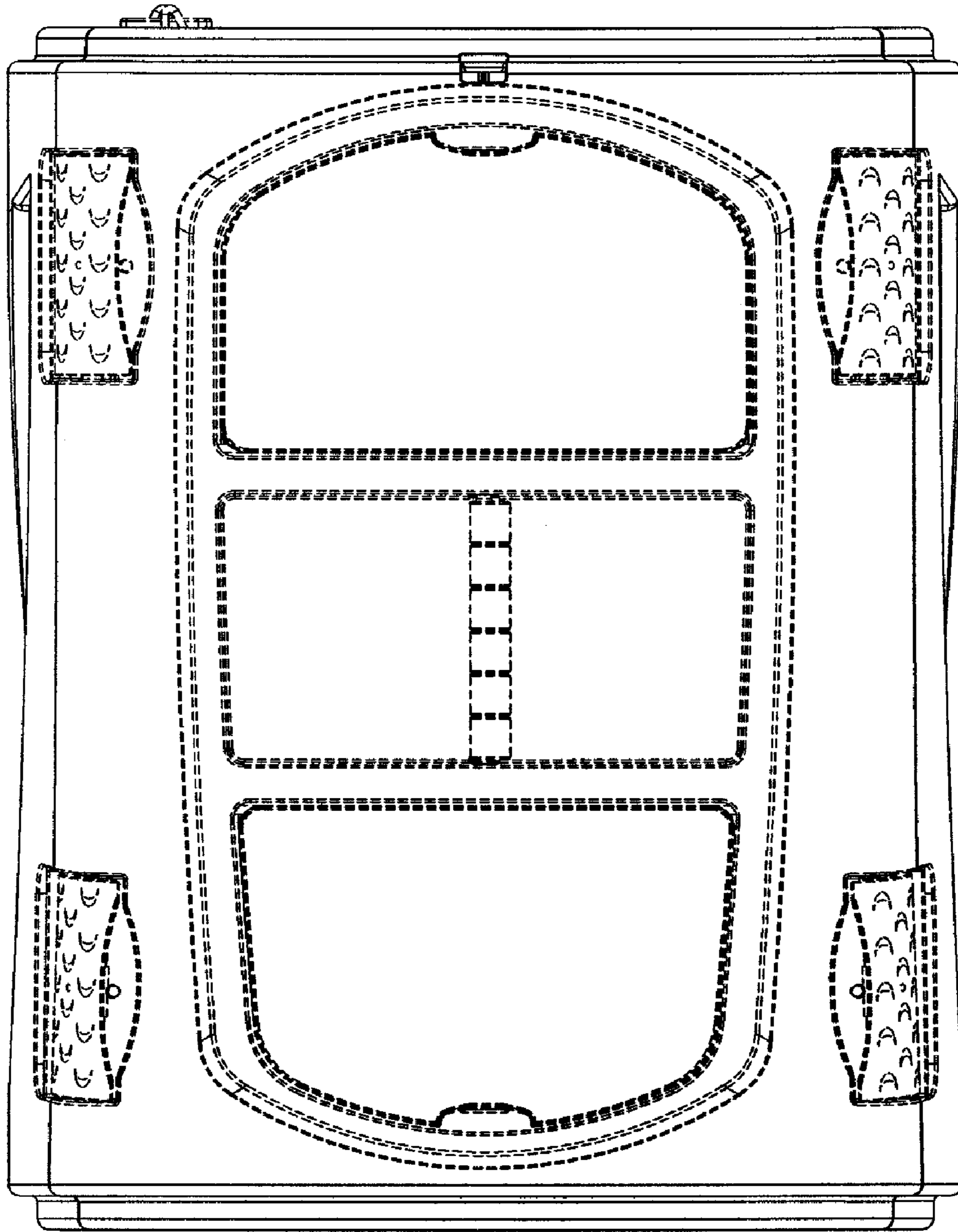


Fig. 7

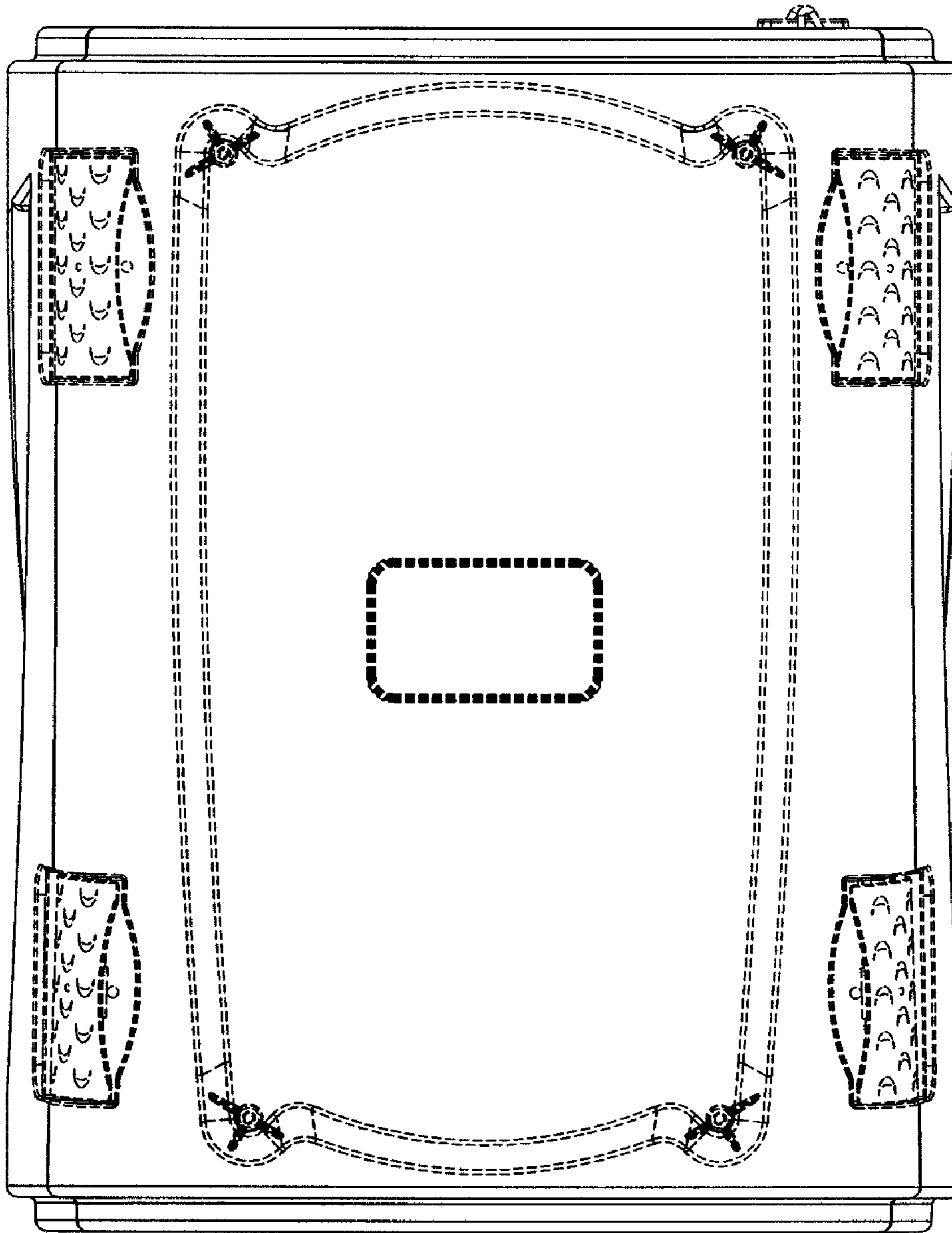


Fig. 8