



US00D571052S

(12) **United States Design Patent**
Kilroy

(10) **Patent No.: US D571,052 S**
(45) **Date of Patent: ** Jun. 10, 2008**

(54) **COMBINED AQUARIUM AND ANIMAL EXHIBIT**

(76) Inventor: **Patrick F. Kilroy**, 3940 Ulla La., Lake Elsinore, CA (US) 92530

(**) Term: **14 Years**

(21) Appl. No.: **29/276,035**

(22) Filed: **Jan. 12, 2007**

(51) **LOC (8) Cl. 30-02**

(52) **U.S. Cl. D30/104**

(58) **Field of Classification Search** D30/101-107;
D11/145; 119/245-248, 251-253, 258, 263,
119/265-267

See application file for complete search history.

(56) **References Cited**

U.S. PATENT DOCUMENTS

3,512,503	A *	5/1970	Willinger	119/251
D251,206	S *	2/1979	Conrad	D30/104
D253,729	S *	12/1979	Ward	D30/105
4,204,499	A *	5/1980	Leyva et al.	119/246
D259,292	S *	5/1981	Conrad	D30/101
D265,856	S *	8/1982	Totten	D30/104
4,958,593	A *	9/1990	Hurlburt et al.	119/246
5,000,118	A *	3/1991	Merritt et al.	119/246

5,009,188	A *	4/1991	Yasui	119/253
D340,550	S *	10/1993	Teats	D30/104
5,313,912	A *	5/1994	O'Dell	119/246
5,337,701	A *	8/1994	Syers	119/251
5,357,903	A *	10/1994	Rivera	119/246
D356,979	S *	4/1995	Rahr	D11/143
D357,646	S *	4/1995	Movizzo	D11/202
D397,522	S *	8/1998	Bishop	D30/101
6,019,064	A *	2/2000	Alarcon	119/247
6,363,889	B1 *	4/2002	Lamendola	119/246
D473,347	S *	4/2003	Vines	D30/104
D512,661	S *	12/2005	Morris et al.	D11/131
D518,408	S *	4/2006	Harrity et al.	D11/131
7,025,018	B2 *	4/2006	Goossen	119/246
7,073,463	B1 *	7/2006	Blakely	119/246

* cited by examiner

Primary Examiner—Cathy Anne MacCormac

(57) **CLAIM**

The ornamental design of a combined aquarium and animal exhibit, as shown and described.

DESCRIPTION

FIG. 1 is a perspective view of a combined aquarium and animal exhibit showing my new design; and, FIG. 2 is a top plan view thereof.

1 Claim, 1 Drawing Sheet

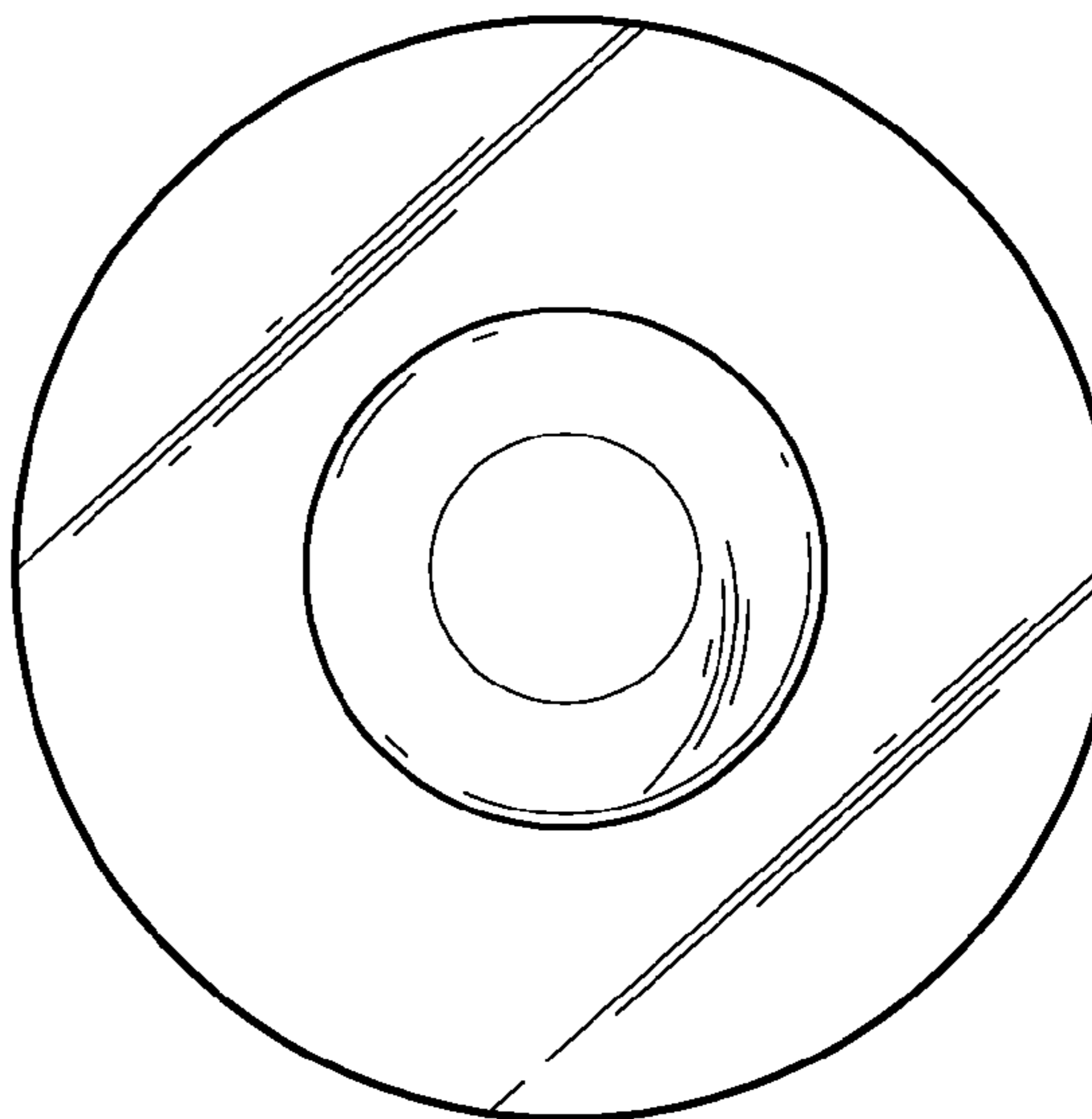
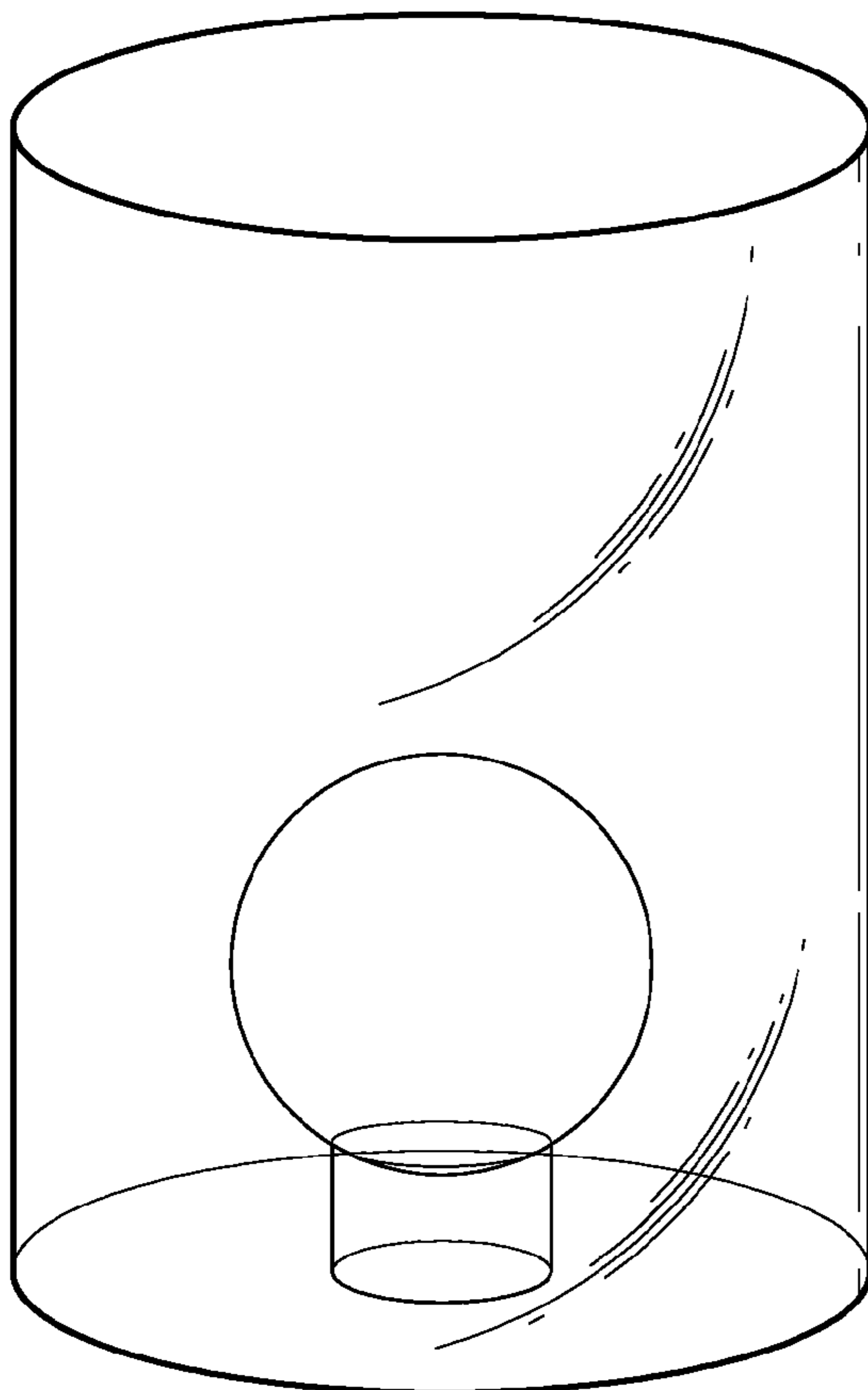


FIG. 1

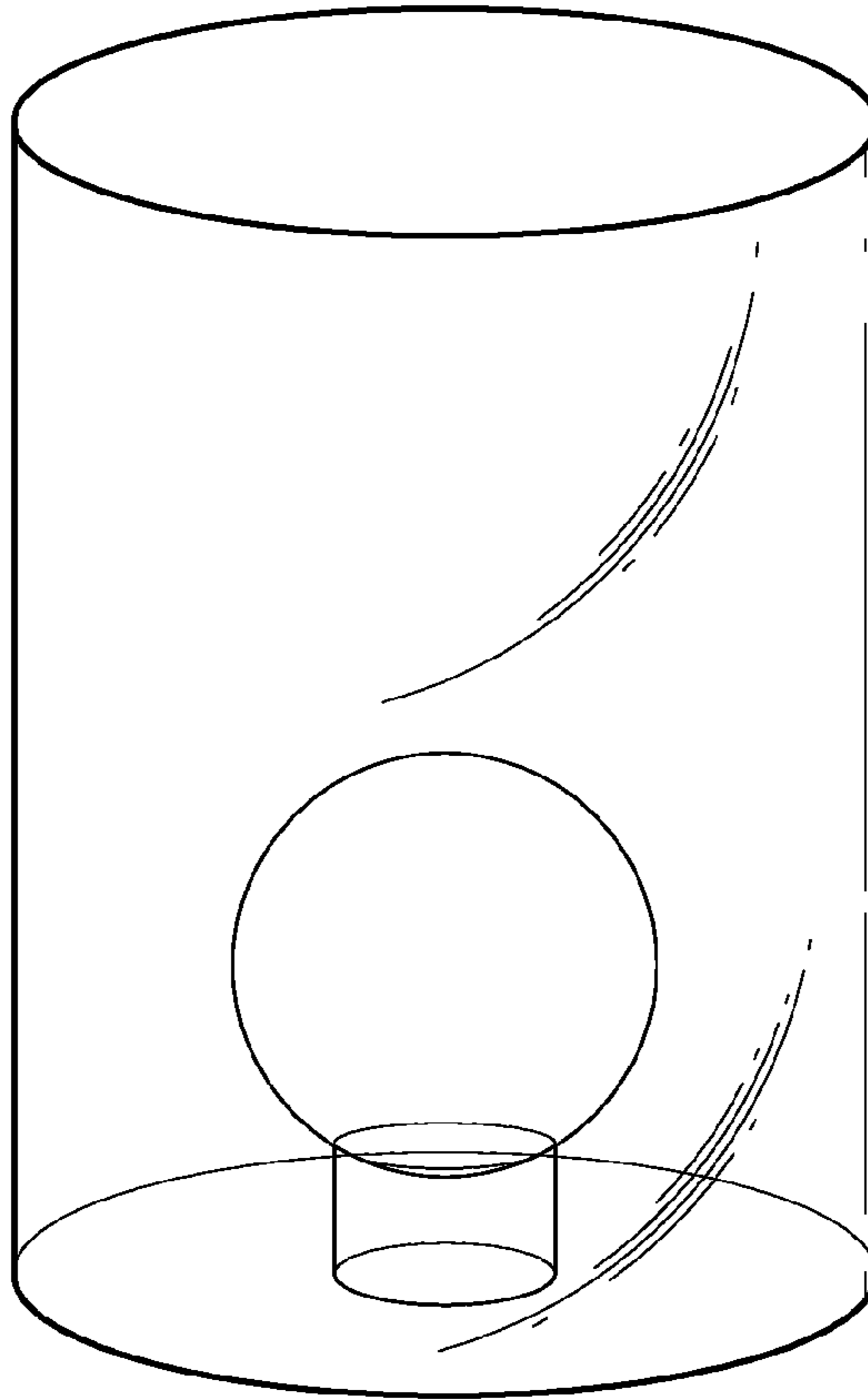


FIG. 2

