

US00D571044S

(12) **United States Design Patent**
Conte et al.

(10) **Patent No.:** **US D571,044 S**
(45) **Date of Patent:** **** Jun. 10, 2008**

(54) **DENTAL FLOSS DISPENSER**

D485,945 S * 1/2004 Blasi et al. D28/66

(75) Inventors: **Frank Conte**, Blainville (CA); **Eric Ferry**, Montréal (CA); **Neal Malani**, Wanchai (HK)

* cited by examiner

Primary Examiner—Janice E. Seeger

Assistant Examiner—Zenía I Bennett

(73) Assignee: **Frank Conte**, Blainville (CA)

(74) *Attorney, Agent, or Firm*—Osler, Hoskin & Harcourt LLP

(**) Term: **14 Years**

(57) **CLAIM**

(21) Appl. No.: **29/276,696**

The ornamental design for a dental floss dispenser, as shown and described.

(22) Filed: **Feb. 1, 2007**

(51) **LOC (8) Cl.** **28-03**

(52) **U.S. Cl.** **D28/66; D28/65; D3/208**

(58) **Field of Classification Search** D28/65–68, D28/56, 73; D3/203.1, 205, 207, 208, 28; 206/63.5; D24/152, 176; 242/137–138; D9/419–420, 422, 529; D21/402; 70/456 R
See application file for complete search history.

DESCRIPTION

FIG. 1 is a top-left side perspective view of a dental floss dispenser according to my design, with the dispenser being open;

FIG. 2 is a right side view thereof;

FIG. 3 is a left side view thereof;

FIG. 4 is a top view thereof, with a bottom view being a mirror image thereof;

FIG. 5 is a rear view thereof;

FIG. 6 is a front view thereof; and,

FIG. 7 is a front-right side perspective view thereof, with the dispenser being closed.

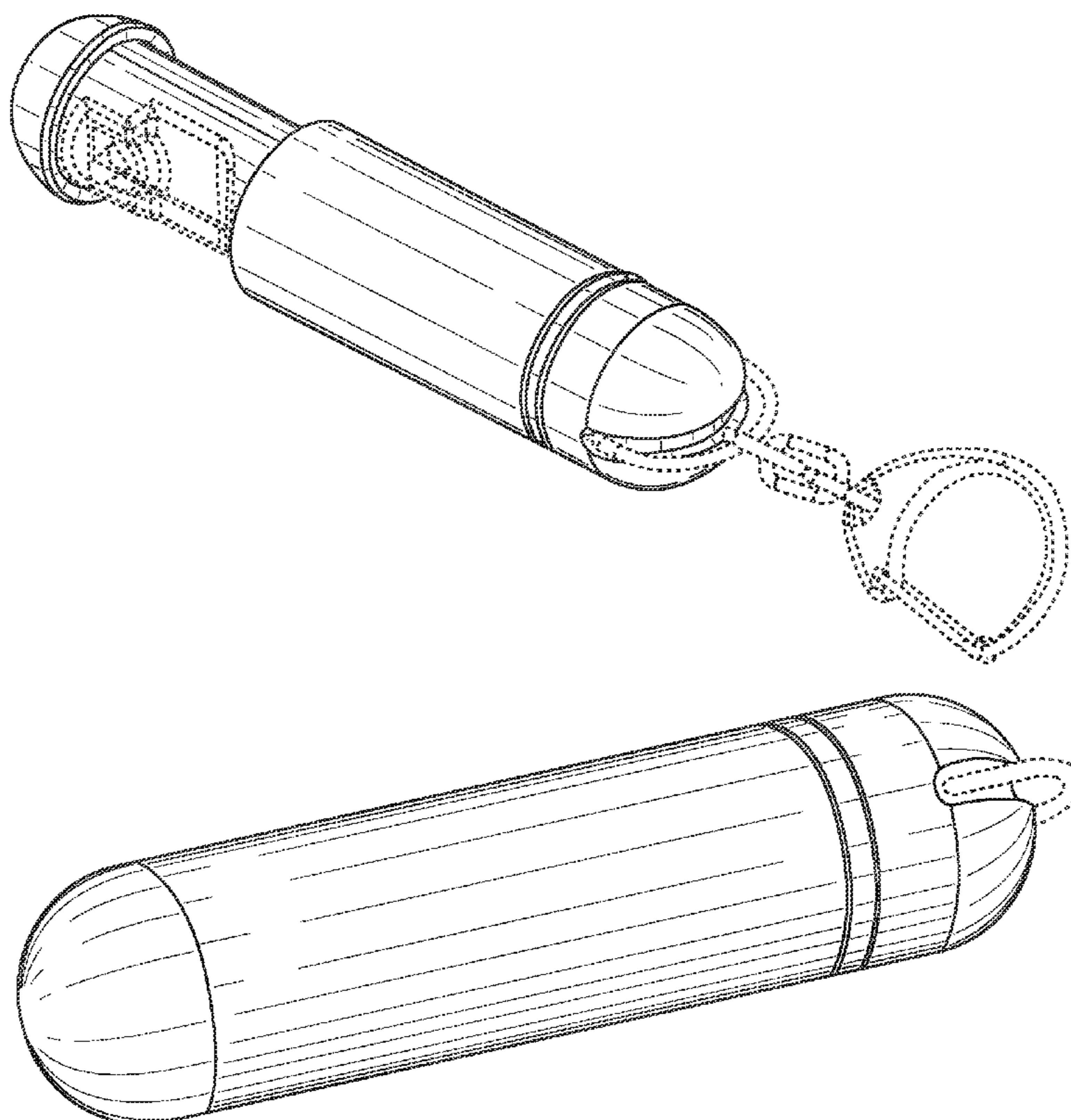
Throughout the Figures, the broken lines show structure that forms no part of the claimed design.

(56) **References Cited**

U.S. PATENT DOCUMENTS

D135,552 S *	4/1943	Winner	D4/199
D158,306 S *	4/1950	Modrey	D3/207
D293,491 S *	12/1987	Fronske	D28/66
D297,820 S *	9/1988	Chan	D10/109
D357,350 S *	4/1995	Stillwagon	D3/207
D384,254 S *	9/1997	Johnson	D8/14
5,762,079 A *	6/1998	Protonantis	132/325
D420,215 S *	2/2000	MacDonald	D3/207

1 Claim, 6 Drawing Sheets



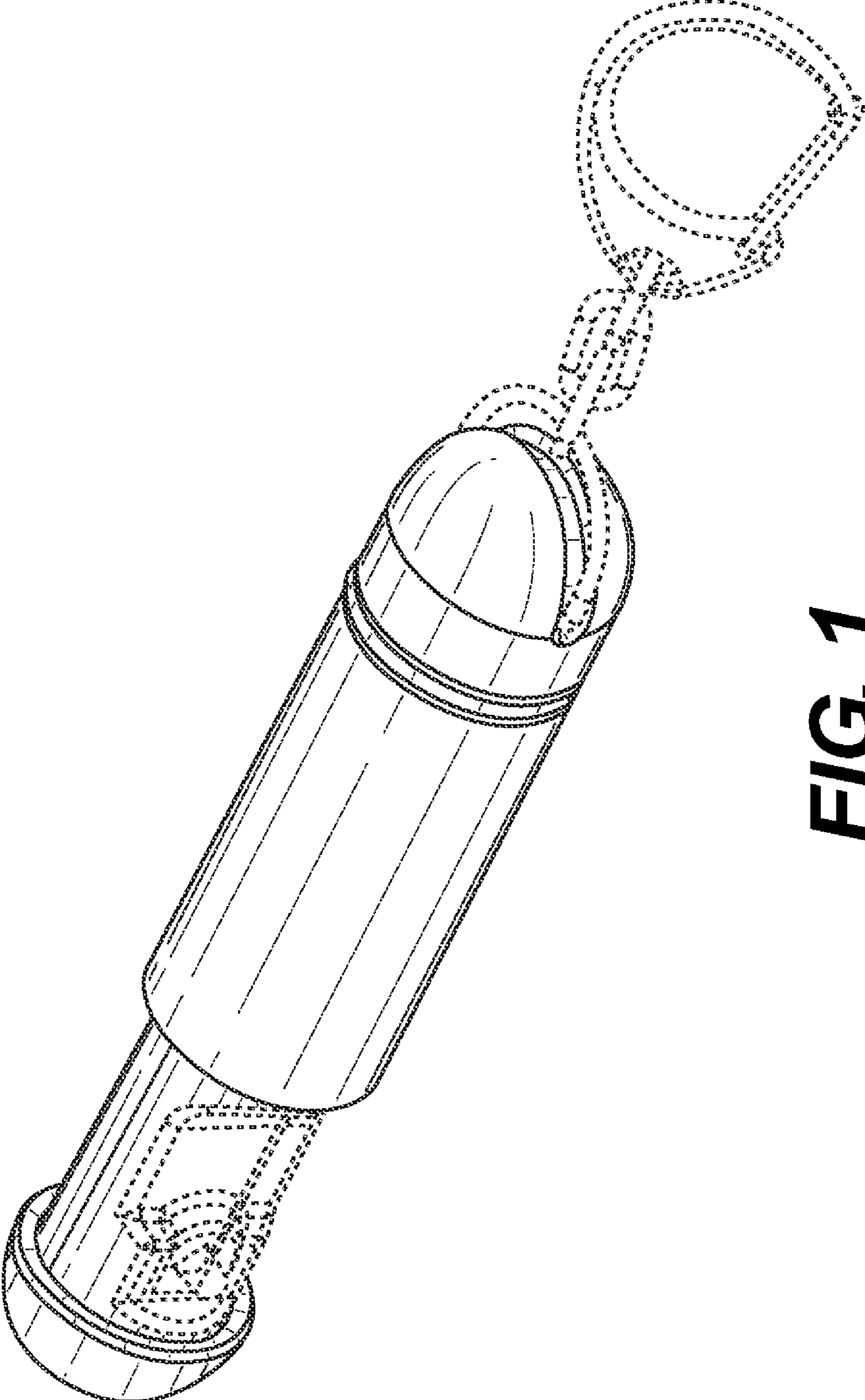


FIG. 1

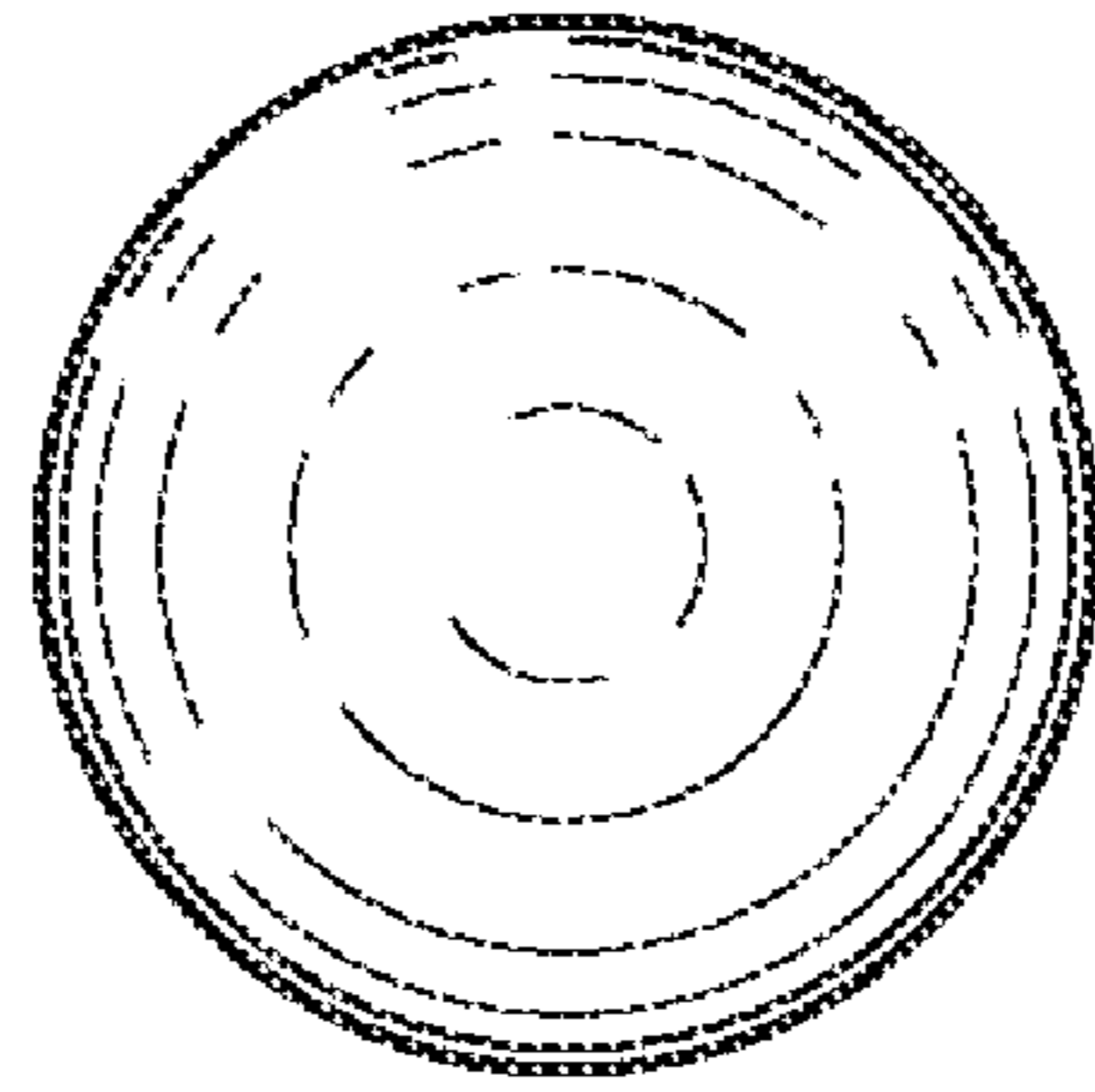


FIG. 2

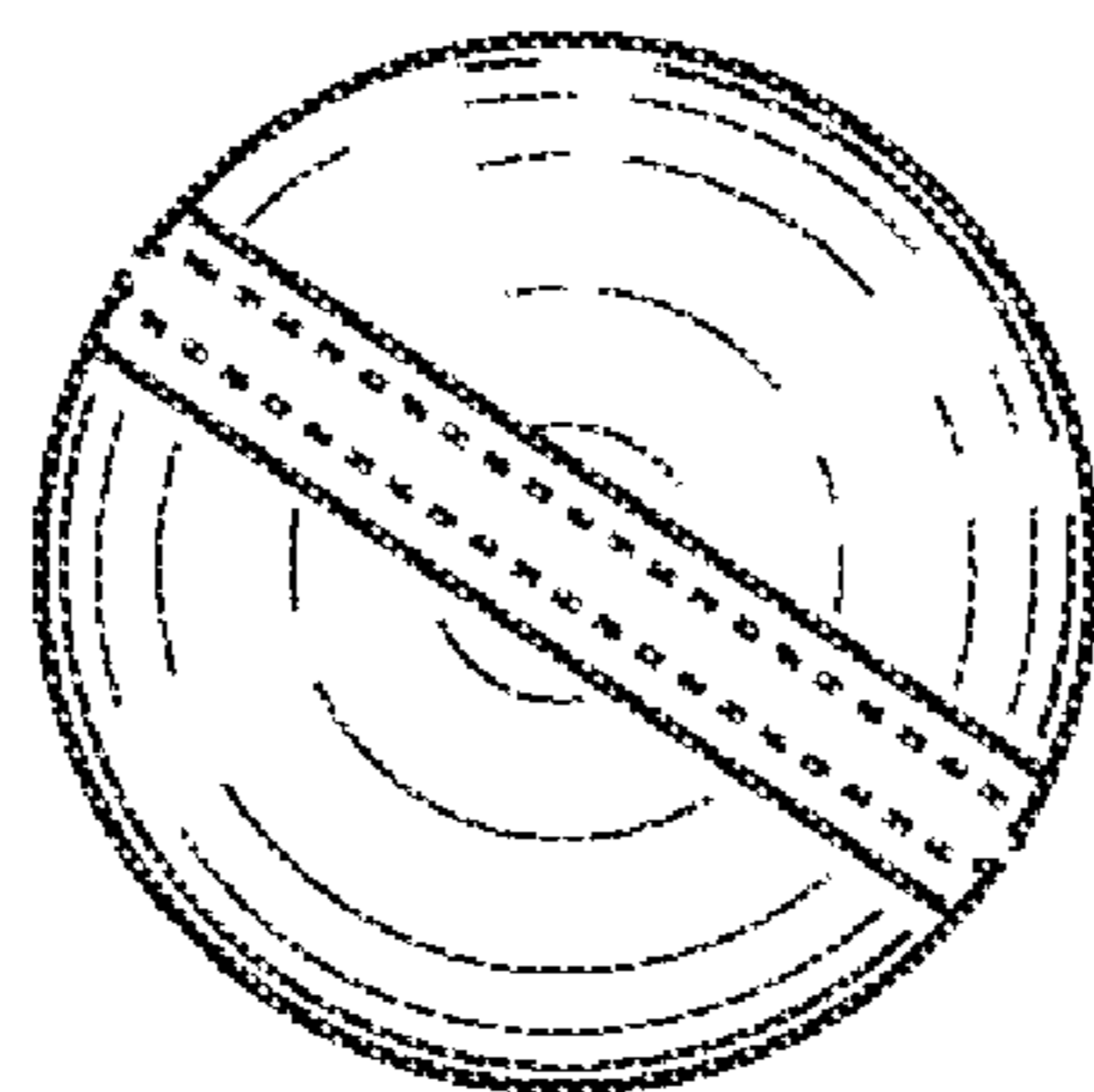


FIG. 3

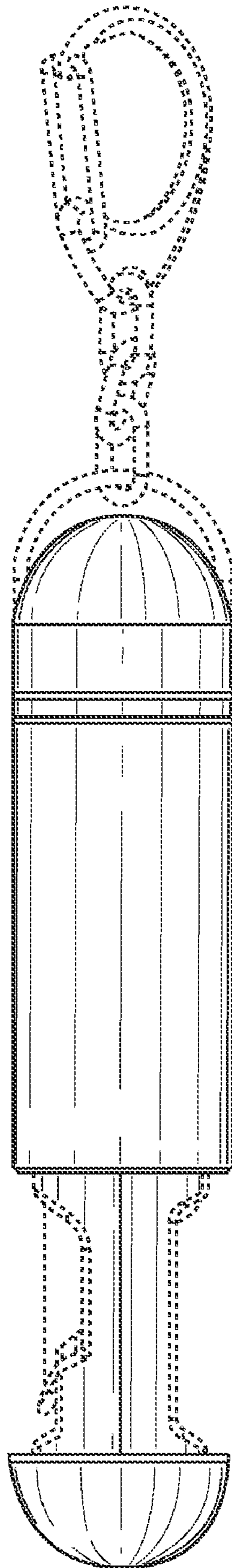


FIG. 4

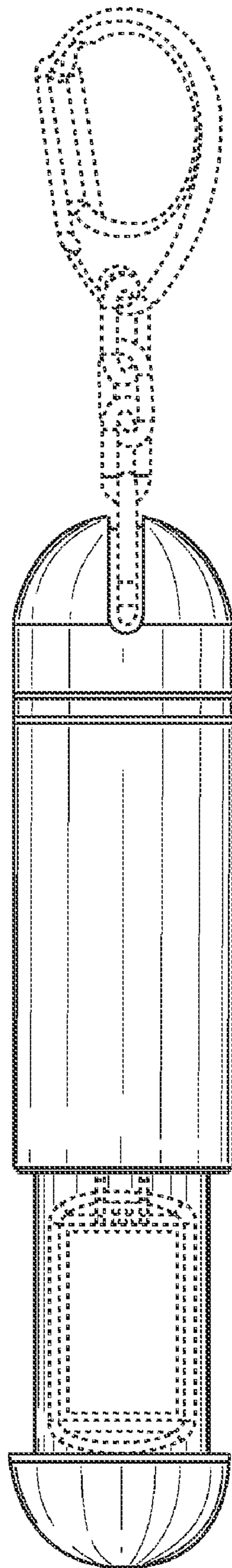


FIG. 5

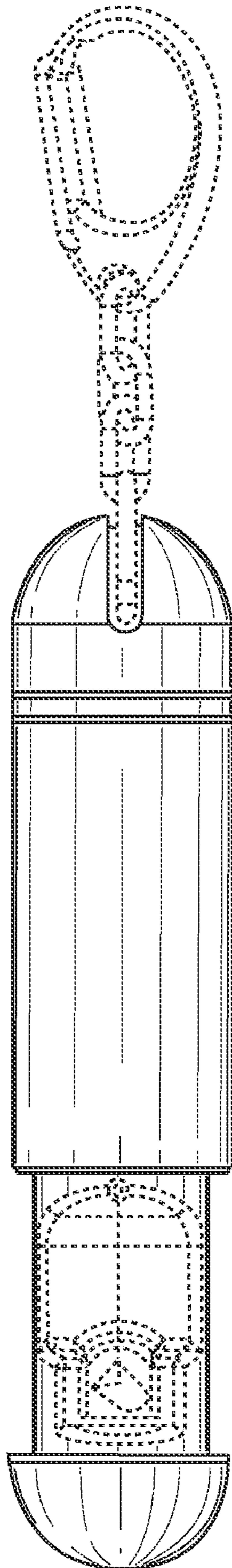


FIG. 6

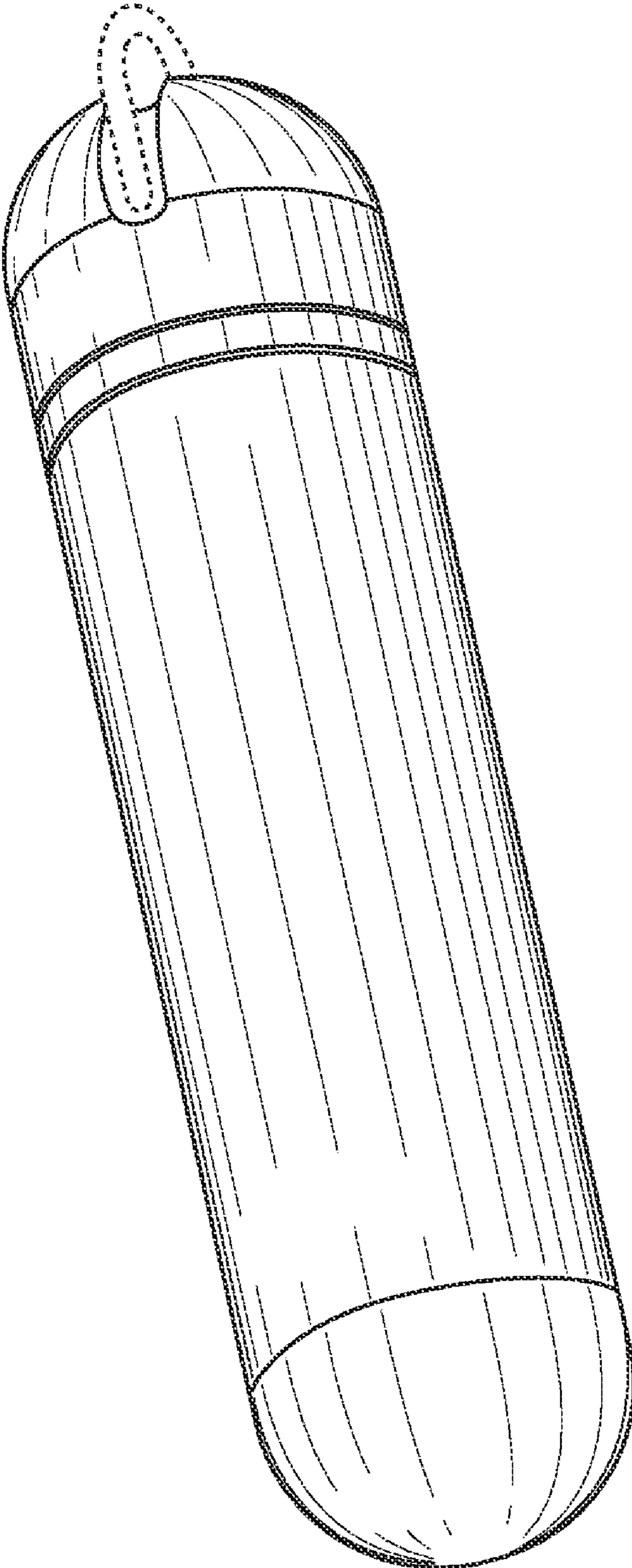


FIG. 7

UNITED STATES PATENT AND TRADEMARK OFFICE
CERTIFICATE OF CORRECTION

PATENT NO. : Des. 571,044 S
APPLICATION NO. : 29/276696
DATED : June 10, 2008
INVENTOR(S) : Frank Conte, Eric Ferry and Neal Malani

Page 1 of 8

It is certified that error appears in the above-identified patent and that said Letters Patent is hereby corrected as shown below:

Delete the title page and substitute therefore the attached title page.

Delete Drawing Sheets 1-6 and substitute therefore the attached Drawing Sheets 1-6.

Signed and Sealed this

Seventh Day of April, 2009



JOHN DOLL
Acting Director of the United States Patent and Trademark Office

(12) **United States Design Patent**
Conte et al.

(10) **Patent No.:** **US D571,044 S**
 (45) **Date of Patent:** **** Jun. 10, 2008**

(54) **DENTAL FLOSS DISPENSER**

D485,945 S * 1/2004 Blasi et al. D28/66

(75) Inventors: **Frank Conte**, Blainville (CA); **Eric Ferry**, Montréal (CA); **Neal Malani**, Wanchai (HK)

* cited by examiner

Primary Examiner—Janice E. Seeger
Assistant Examiner—Zenja I Bennett
 (74) *Attorney, Agent, or Firm*—Osler, Hoskin & Harcourt LLP

(73) Assignee: **Frank Conte**, Blainville (CA)

(**) Term: **14 Years**

(57) **CLAIM**

(21) Appl. No.: **29/276,696**

The ornamental design for a dental floss dispenser, as shown and described.

(22) Filed: **Feb. 1, 2007**

(51) **LOC (8) Cl.** **28-03**

DESCRIPTION

(52) **U.S. Cl.** **D28/66; D28/65; D3/208**

FIG. 1 is a top-left side perspective view of a dental floss dispenser according to my design, with the dispenser being open;

(58) **Field of Classification Search** D28/65-68, D28/56, 73; D3/203.1, 205, 207, 208, 28; 206/63.5; D24/152, 176; 242/137-138; D9/419-420, 422, 529; D21/402; 70/456 R
 See application file for complete search history.

FIG. 2 is a right side view thereof;

FIG. 3 is a left side view thereof;

FIG. 4 is a top view thereof, with a bottom view being a mirror image thereof;

FIG. 5 is a rear view thereof;

FIG. 6 is a front view thereof; and,

FIG. 7 is a front-right side perspective view thereof, with the dispenser being closed.

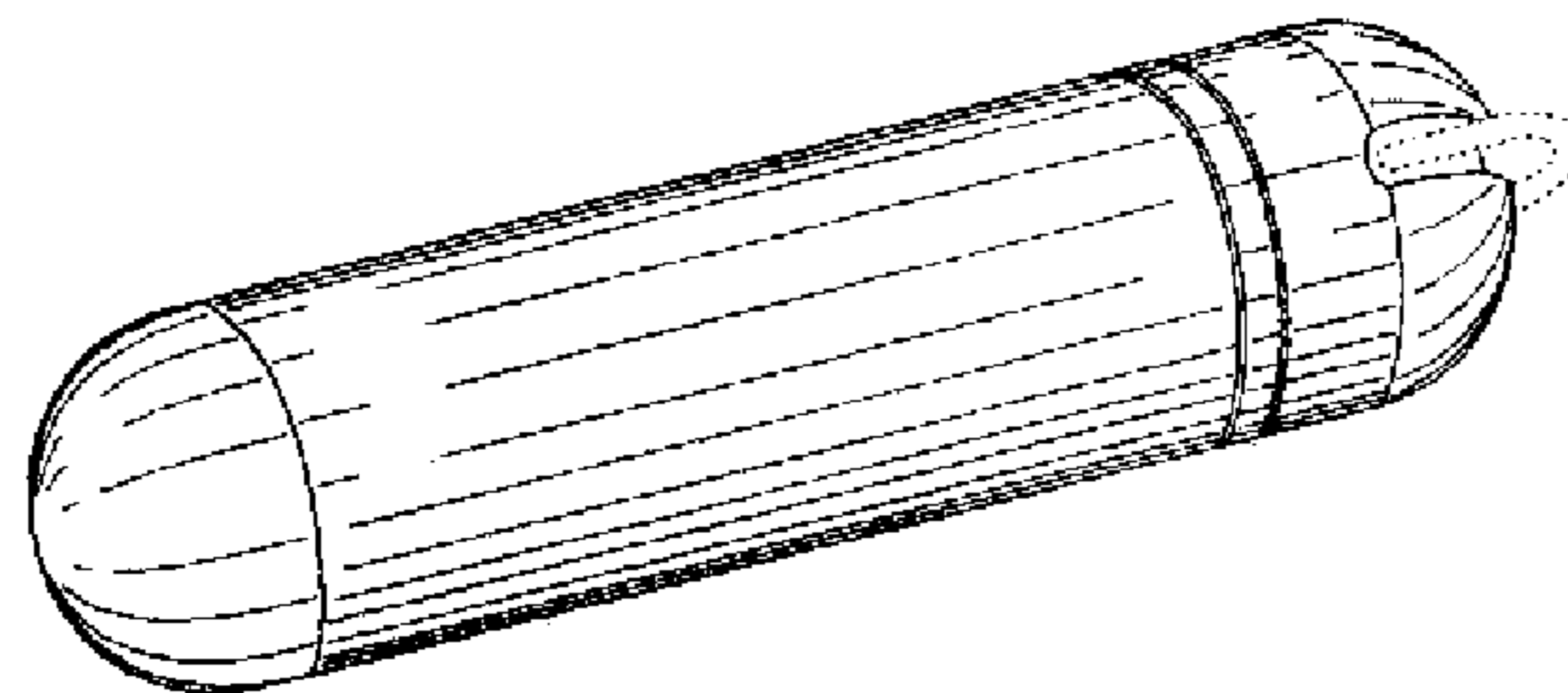
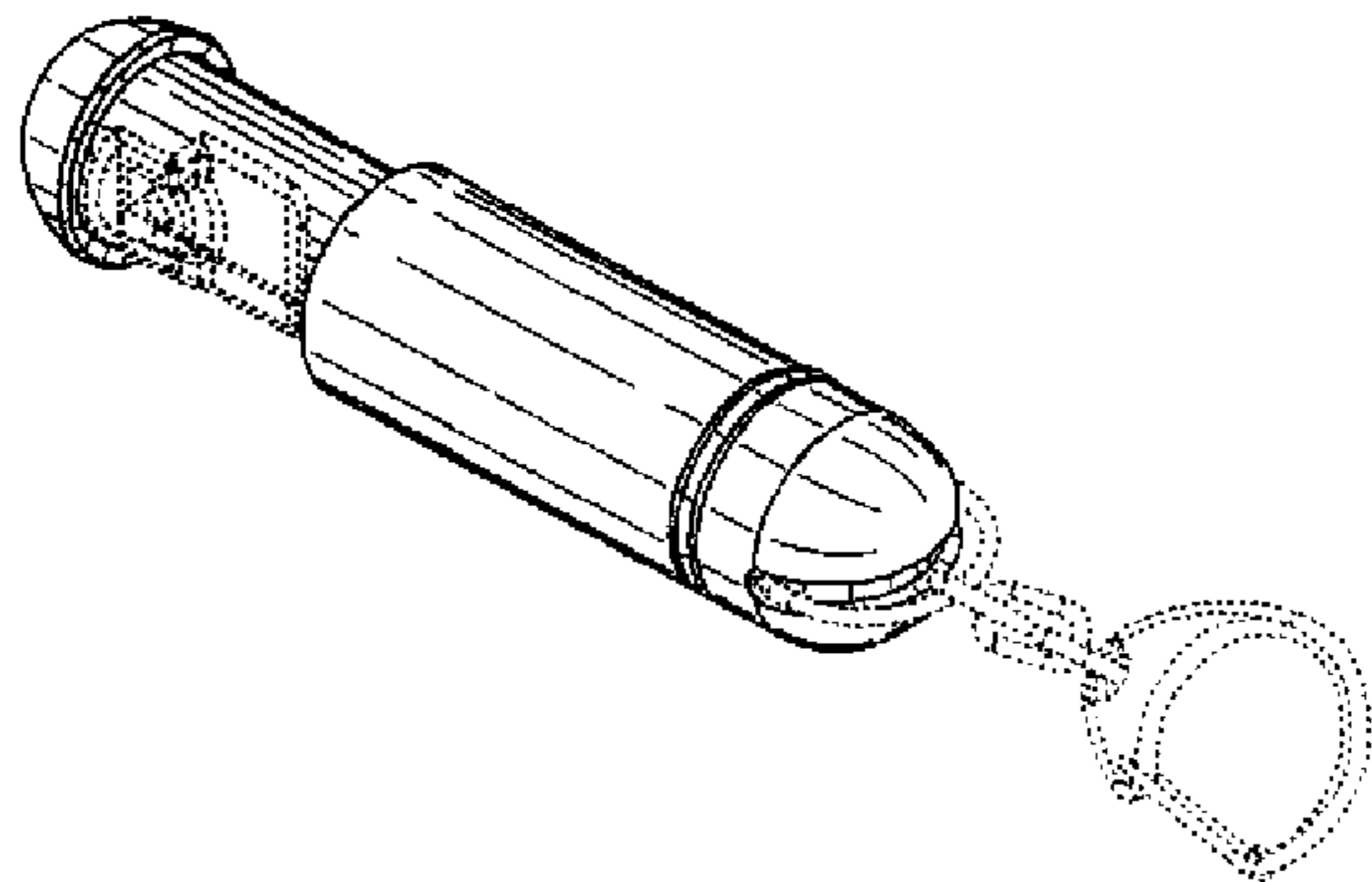
Throughout the Figures, the broken lines show structure that forms no part of the claimed design.

(56) **References Cited**

U.S. PATENT DOCUMENTS

- D135,552 S * 4/1943 Winner D4/199
- D158,306 S * 4/1950 Modrey D3/207
- D293,491 S * 12/1987 Fronske D28/66
- D297,820 S * 9/1988 Chan D10/109
- D357,350 S * 4/1995 Stillwagon D3/207
- D384,254 S * 9/1997 Johnson D8/14
- 5,762,079 A * 6/1998 Protonantis 132/325
- D420,215 S * 2/2000 MacDonald D3/207

1 Claim, 6 Drawing Sheets



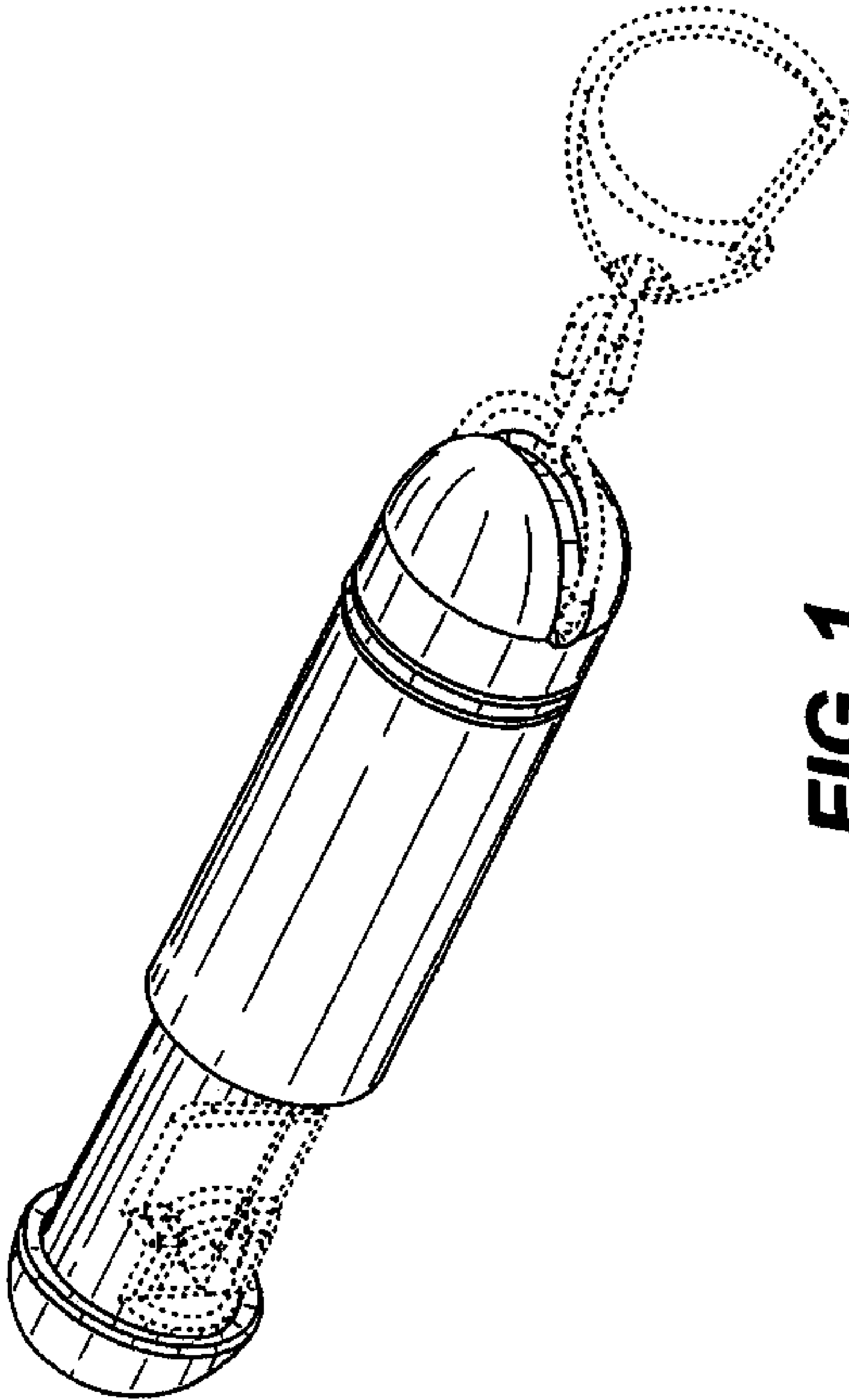


FIG. 1

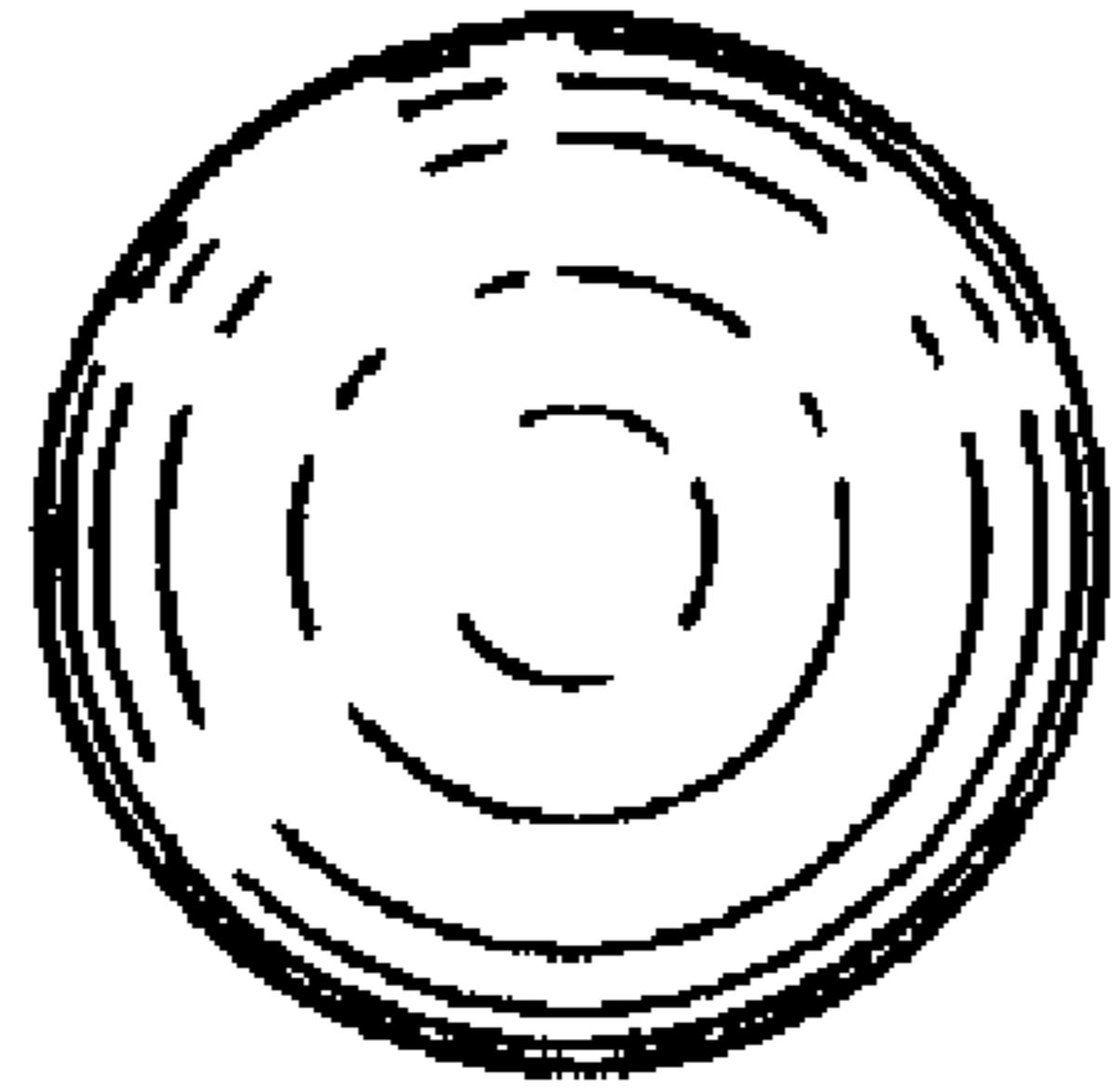


FIG. 2

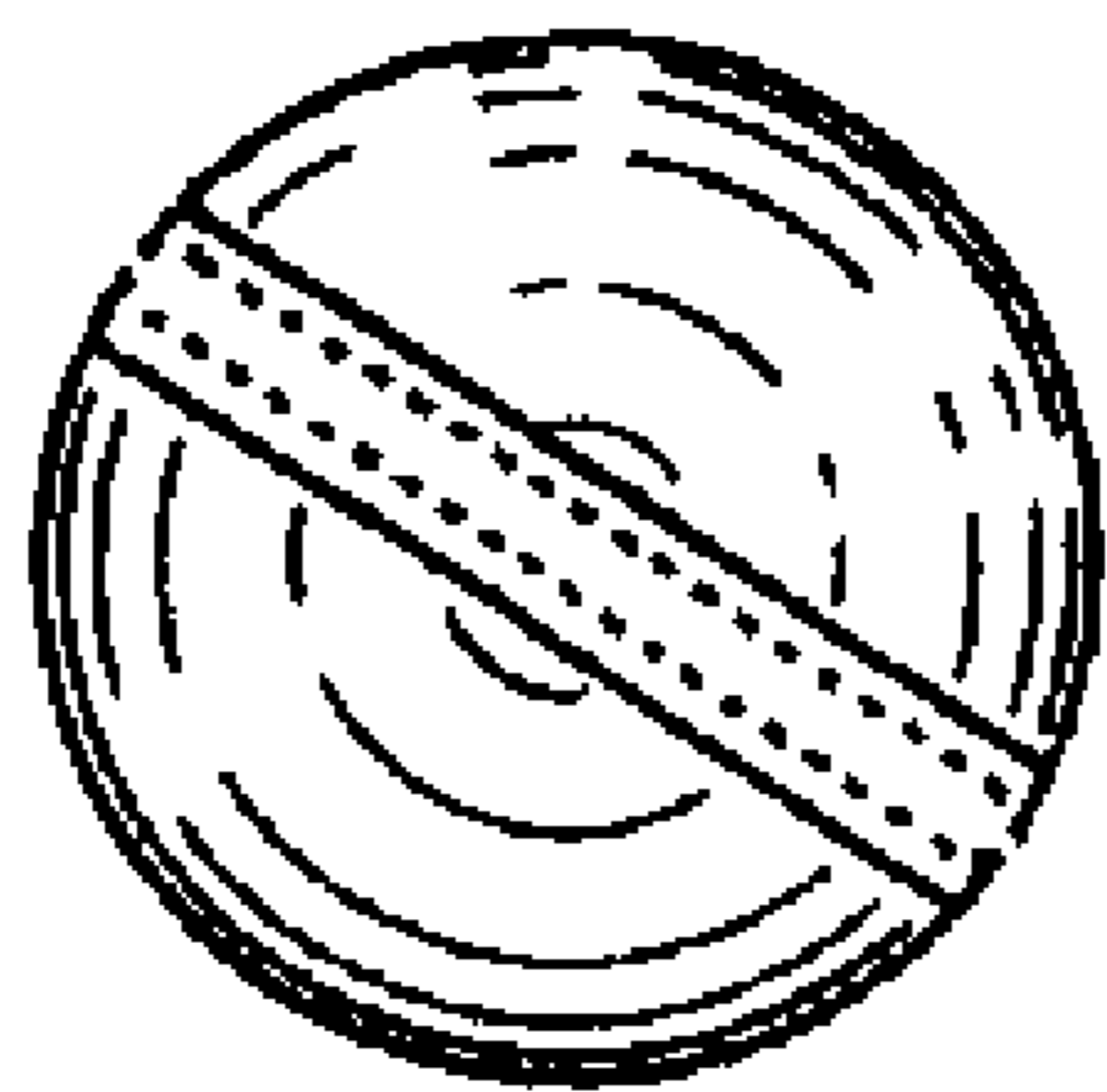


FIG. 3

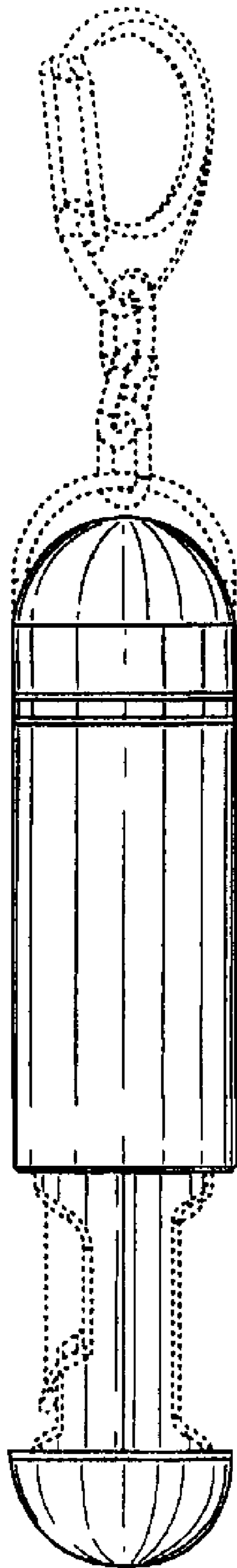


FIG. 4

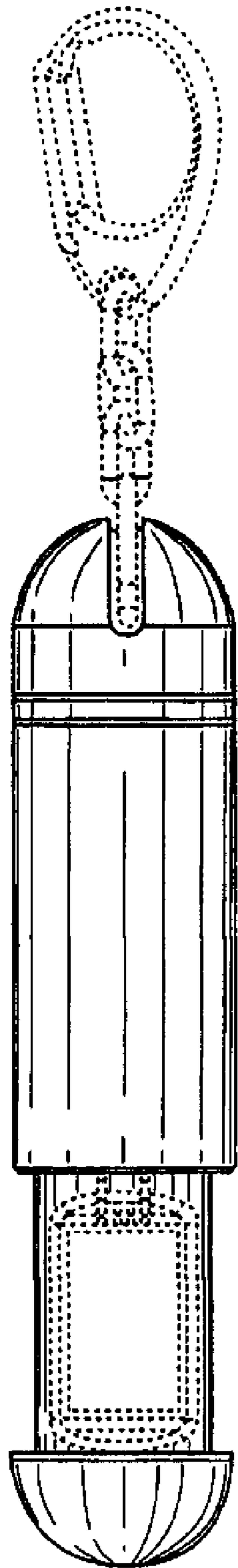


FIG. 5

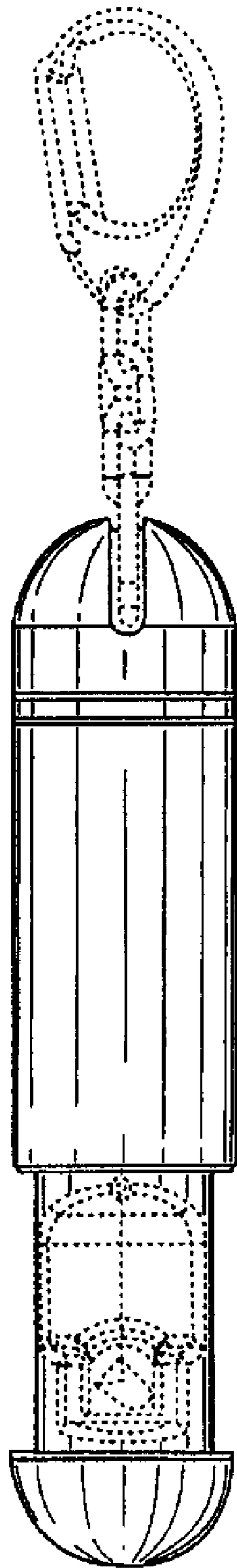


FIG. 6

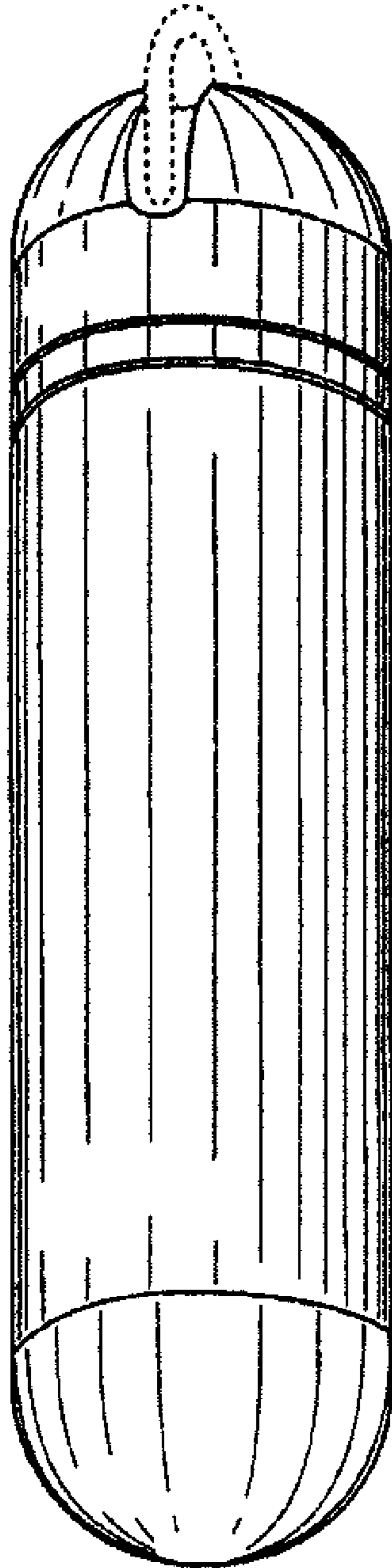


FIG. 7