

US00D571039S

(12) **United States Design Patent**
Chan et al.

(10) **Patent No.:** **US D571,039 S**
(45) **Date of Patent:** **** Jun. 10, 2008**

(54) **LIGHTING DEVICE**

(75) Inventors: **Wai Kwan Chan**, Hong Kong (HK);
Paul Kenneth Pickard, Morrisville,
NC (US); **Gerald H. Negley**, Durham,
NC (US); **Antony Paul Van De Ven**,
Hong Kong (HK); **Gary David Trott**,
Morrisville, NC (US)

(73) Assignee: **Cree LED Lighting Solutions, Inc.**,
Durham, NC (US)

(**) Term: **14 Years**

(21) Appl. No.: **29/295,285**

(22) Filed: **Sep. 25, 2007**

D197,985 S *	4/1964	Dawson	D26/123
3,330,951 A *	7/1967	Neal	362/309
3,697,742 A	10/1972	Bobrick	
3,705,302 A	12/1972	Judge et al.	
3,950,638 A *	4/1976	Kent et al.	362/297
D247,562 S	3/1978	Walker et al.	
4,173,037 A	10/1979	Henderson et al.	
4,241,393 A *	12/1980	Olson	362/348
D259,518 S	6/1981	Garcia et al.	
D264,007 S	4/1982	Heritage	
4,336,575 A	6/1982	Gilman	
4,388,677 A	6/1983	Druffel	
4,453,203 A *	6/1984	Pate	362/345
4,703,406 A *	10/1987	Elliott et al.	362/365
4,729,080 A	3/1988	Fremont et al.	
4,761,721 A	8/1988	Willing	
4,803,603 A	2/1989	Carson	

(Continued)

Related U.S. Application Data

(63) Continuation of application No. 29/267,853, filed on
Oct. 23, 2006, now abandoned.

(51) **LOC (8) Cl.** **26-99**

(52) **U.S. Cl.** **D26/152**

(58) **Field of Classification Search** D26/152,
D26/74, 118, 138, 131, 72, 78, 113, 122,
D26/123, 124, 128; 362/368, 365, 366, 364,
362/147

See application file for complete search history.

(56) **References Cited**

U.S. PATENT DOCUMENTS

382,210 A	5/1888	Black	
D50,559 S *	4/1917	Martin	D26/123
1,674,165 A *	6/1928	Dorey	362/340
D79,309 S	8/1929	Sanford	
2,010,322 A *	8/1935	Riddell	454/293
D107,878 S	1/1938	Levy	
D115,970 S	8/1939	Stewart	
D160,640 S	10/1950	Magroch	
2,835,791 A	5/1958	Horwitz	
2,878,425 A	3/1959	Kudoh	
3,040,172 A *	6/1962	Chan	362/257
D196,618 S *	10/1963	Hammes	D23/328

OTHER PUBLICATIONS

EVO Lighting—Solid State LED Lighting, http://www.renaissance-lighting.com/index_PA.php?t=line&Type=1, evo is a product of RL Light, 2007, pp. 1-15.

(Continued)

Primary Examiner—Freda S. Nunn
Assistant Examiner—Kevin K Rudzinski
(74) *Attorney, Agent, or Firm*—Burr & Brown

(57) **CLAIM**

The ornamental design for a lighting device, as shown and described.

DESCRIPTION

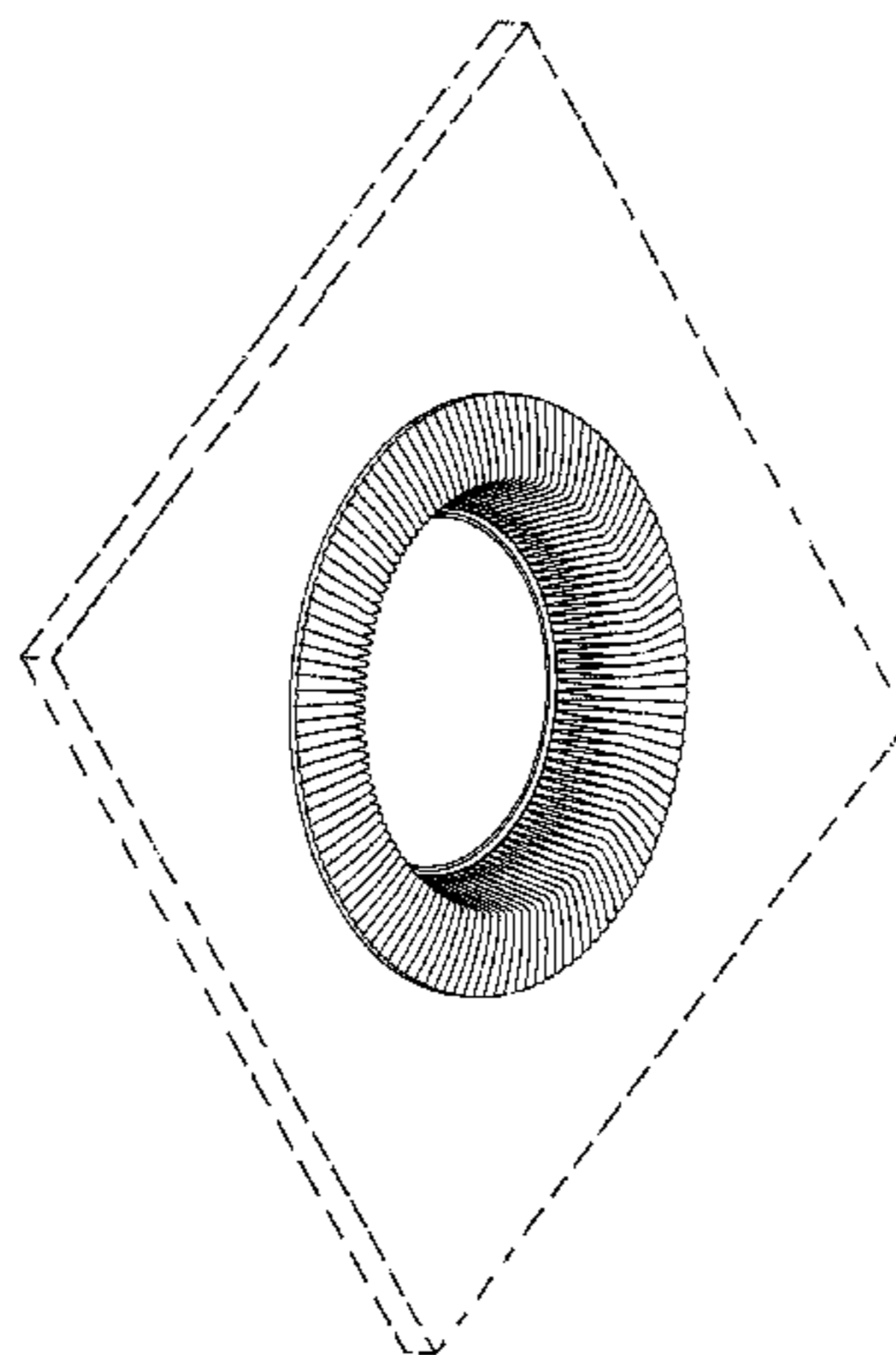
FIG. 1 is a perspective view of the lighting device in accordance with our new design;

FIG. 2 is a bottom view thereof; and,

FIG. 3 is a front side view thereof, the right side, left side and rear side views being identical to the front side view.

The portions shown in broken lines are for illustrative purposes only and form no part of the claimed design.

1 Claim, 2 Drawing Sheets



US D571,039 S

U.S. PATENT DOCUMENTS

D302,860 S 8/1989 Anema
 4,972,339 A 11/1990 Gabrius
 D326,163 S * 5/1992 Sonneman D26/152
 D326,537 S 5/1992 Gattari
 5,183,330 A 2/1993 Rishel et al.
 D340,514 S 10/1993 Liao
 5,287,259 A * 2/1994 Lautzenheiser 362/341
 D347,292 S 5/1994 Roos et al.
 D352,797 S * 11/1994 Mehaffey D26/85
 D353,910 S 12/1994 Hayman et al.
 5,373,431 A 12/1994 Hayman et al.
 5,440,471 A 8/1995 Zadeh
 5,465,199 A 11/1995 Bray et al.
 D370,550 S 6/1996 Lecluze
 D376,667 S 12/1996 Lucluze
 D381,454 S 7/1997 Lecluze
 D383,565 S 9/1997 Demshki et al.
 D386,277 S * 11/1997 Lecluze D26/74
 D387,466 S 12/1997 Lecluze
 D388,526 S 12/1997 Bray
 D397,490 S 8/1998 Lecluze
 5,800,050 A 9/1998 Leadford
 5,823,664 A 10/1998 Demshki et al.
 5,857,766 A 1/1999 Sieczkowski
 D410,295 S 5/1999 Lueken et al.
 5,957,574 A 9/1999 Hentz et al.
 6,004,011 A 12/1999 Sieczkowski
 6,089,732 A 7/2000 Wright et al.
 6,095,669 A 8/2000 Cho
 6,123,438 A 9/2000 Hentz
 6,179,446 B1 1/2001 Sarmadi
 D437,654 S 2/2001 Chen
 6,217,189 B1 4/2001 Nassim
 6,283,430 B1 9/2001 Schubert et al.
 6,375,338 B1 4/2002 Cummings et al.
 6,474,846 B1 11/2002 Kelmelis et al.
 6,505,960 B2 1/2003 Schubert et al.
 D469,916 S 2/2003 Caferro et al.
 D471,314 S * 3/2003 Guthrie D26/152
 D473,965 S 4/2003 Lecluze
 D474,298 S 5/2003 Lecluze
 D474,300 S * 5/2003 Lecluze D26/74
 D476,108 S 6/2003 Lecluze
 6,588,922 B1 7/2003 DeCicco
 6,632,006 B1 10/2003 Rippel et al.
 6,655,813 B1 12/2003 Ng
 D485,006 S 1/2004 Huang

D488,252 S 4/2004 Benghozi
 D488,583 S * 4/2004 Benghozi D26/118
 D490,930 S * 6/2004 Snead D26/152
 6,755,559 B2 6/2004 Wang et al.
 6,921,186 B1 7/2005 Viskovich
 D516,235 S * 2/2006 Rashidi D26/74
 D527,119 S 8/2006 Maxik et al.
 D528,673 S 9/2006 Maxik et al.
 D538,951 S 3/2007 Maxik et al.
 D538,952 S 3/2007 Maxik et al.
 D544,128 S 6/2007 Carro
 D545,457 S 6/2007 Chen
 D548,391 S * 8/2007 Lecluze D26/138
 2003/0142499 A1 7/2003 Chiu
 2003/0185012 A1 * 10/2003 Sitzema et al. 362/328

OTHER PUBLICATIONS

U.S. Appl. No. 29/267,856, filed Oct. 23, 2006, Chan et al.
 U.S. Appl. No. 29/267,857, filed Oct. 23, 2006, Chan et al.
 U.S. Appl. No. 29/267,911, filed Oct. 23, 2006, Chan et al.
 U.S. Appl. No. 29/267,854, filed Oct. 23, 2006, Chan et al.
 U.S. Appl. No. 29/267,860, filed Oct. 23, 2006, Chan et al.
 U.S. Appl. No. 29/267,855, filed Oct. 23, 2006, Chan et al.
 U.S. Appl. No. 29/267,852, filed Oct. 23, 2006, Chan et al.
 U.S. Appl. No. 29/279,351, filed Apr. 27, 2007, Chan et al.
 U.S. Appl. No. 29/279,352, filed Apr. 27, 2007, Chan et al.
 U.S. Appl. No. 29/279,354, filed Apr. 27, 2007, Chan et al.
 U.S. Appl. No. 29/279,355, filed Apr. 27, 2007, Chan et al.
 U.S. Appl. No. 29/279,357, filed Apr. 27, 2007, Pickard et al.
 U.S. Appl. No. 29/279,589, filed May 3, 2007, Pickard et al.
 U.S. Appl. No. 29/279,591, filed May 3, 2007, Pickard et al.
 U.S. Appl. No. 29/284,294, filed Sep. 5, 2007, Pickard et al.
 DOE SSL Commercial Product Testing Program Report, DOE SSL CPTP Report Product Test Reference # CPTP 07-09 Replacement Lamp, (2007), pp. 1-23.
 DOE SSL Commercial Product Testing Program Report, DOE SSL CPTP Report Product Test Reference # CPTP 07-04 Downlight, (2007), pp. 1-13.
 DOE SSL Commercial Product Testing Program Report, DOE SSL CPTP Report Product Test Reference # CPTP 07-05 Downlight, (2007), pp. 1-13.
 DOE SSL Commercial Product Testing Program Report, DOE SSL CPTP Report Product Test Reference # CPTP 07-06 Replacement Lamp, (2007), pp. 1-22.
 DOE SSL Commercial Product Testing Program Report, DOE SSL CPTP Report Product Test Reference # CPTP 07-08 Replacement Lamp, (2007), pp. 1-22.

* cited by examiner

Fig. 1

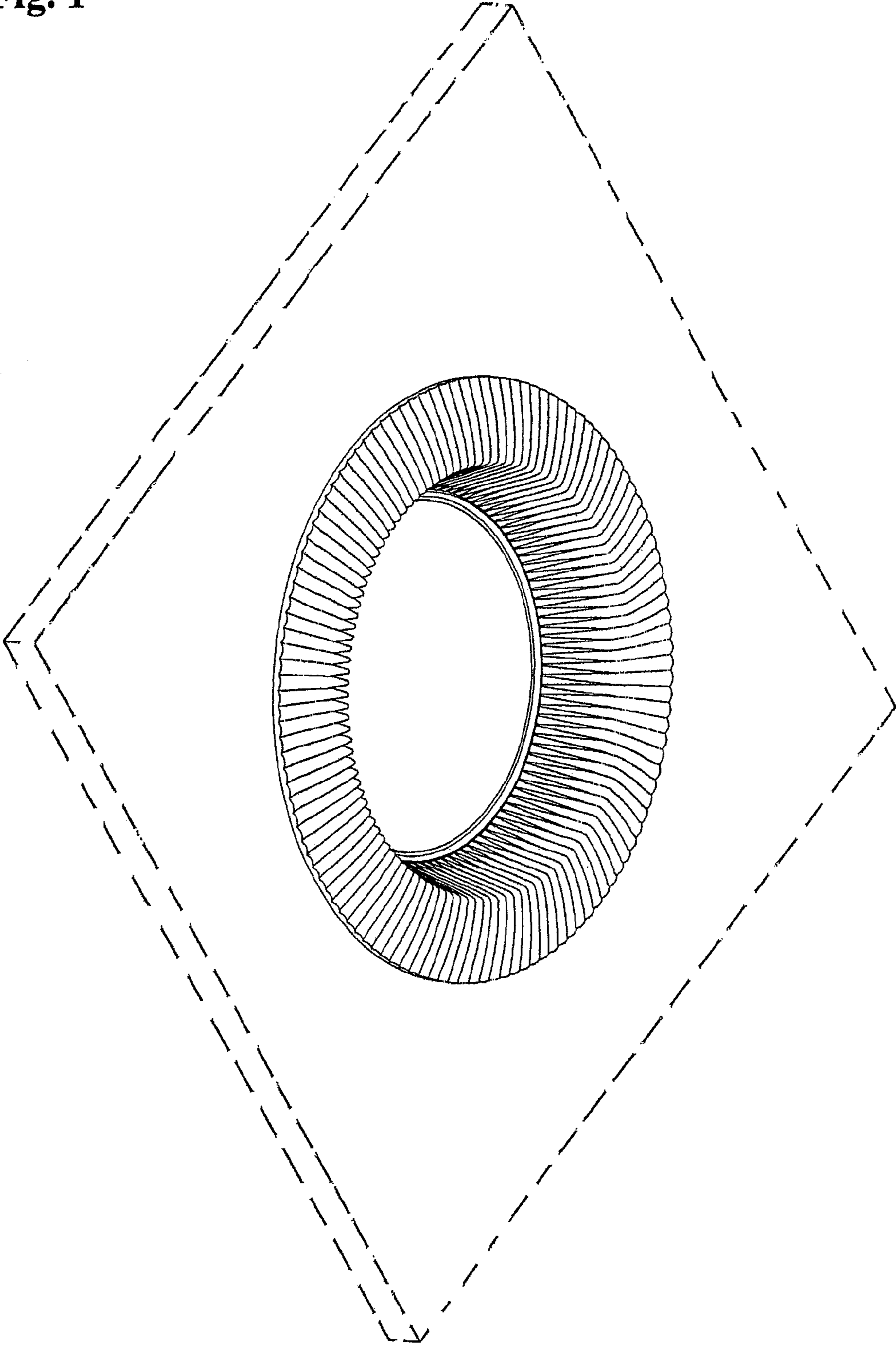


Fig. 2

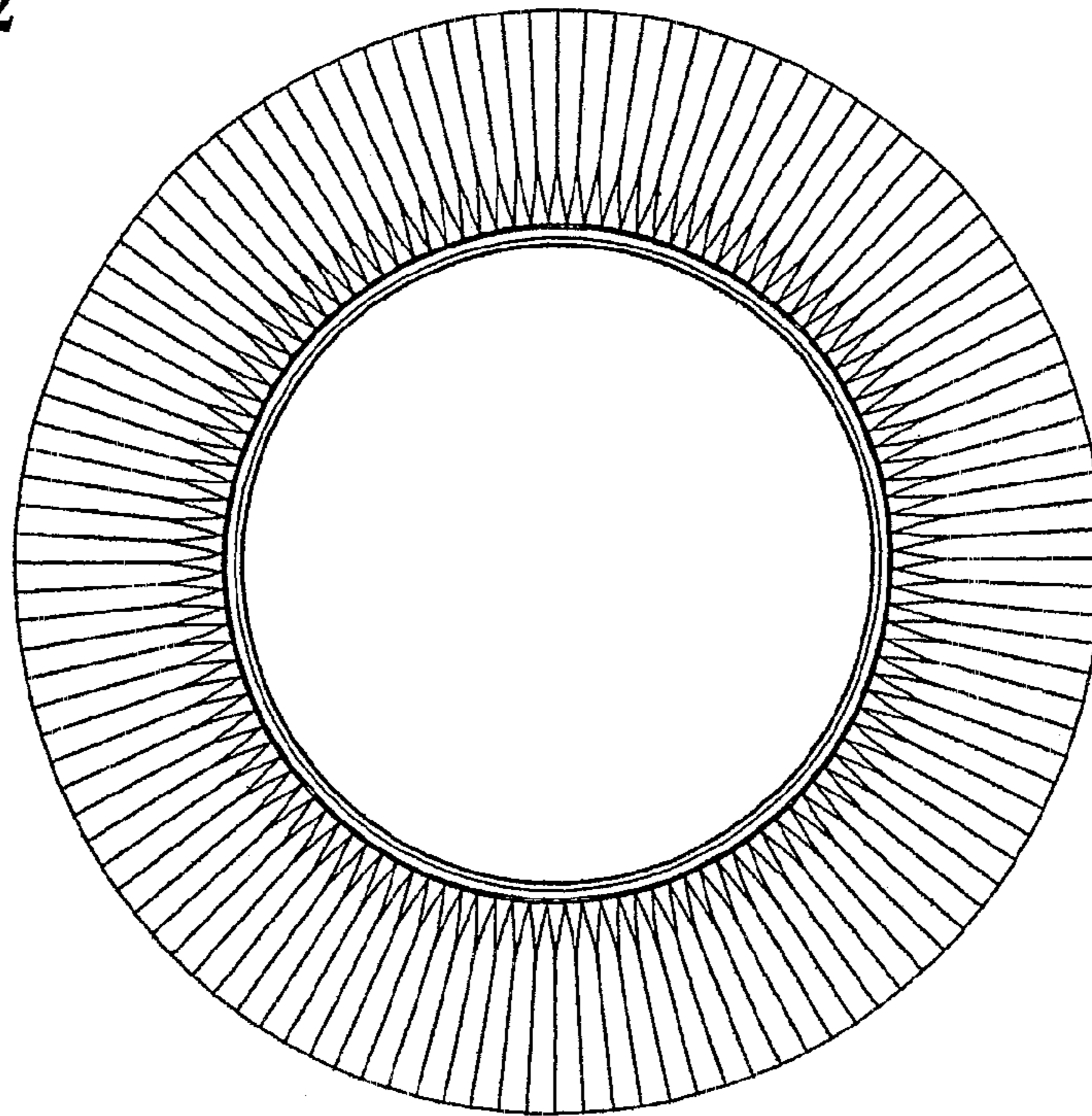


Fig. 3

