

US00D571038S

(12) **United States Design Patent**
Chan et al.

(10) **Patent No.:** **US D571,038 S**
(45) **Date of Patent:** **** Jun. 10, 2008**

(54) **LIGHTING DEVICE**

(75) Inventors: **Wai Kwan Chan**, Tai Po (HK); **Paul Kenneth Pickard**, Morrisville, NC (US); **Gerald H. Negley**, Durham, NC (US); **Antony Paul Van De Ven**, Sai Kung (HK); **Gary David Trott**, Morrisville, NC (US)

(73) Assignee: **Cree LED Lighting Solutions, Inc.**, Durham, NC (US)

(**) Term: **14 Years**

(21) Appl. No.: **29/279,352**

(22) Filed: **Apr. 27, 2007**

(51) **LOC (8) Cl.** **26-99**

(52) **U.S. Cl.** **D26/152**

(58) **Field of Classification Search** D26/152,
D26/74, 118, 138, 131, 72, 78, 113, 122,
D26/123, 124, 128; 362/368, 365, 366, 364,
362/147

See application file for complete search history.

(56) **References Cited**

U.S. PATENT DOCUMENTS

- 382,210 A 5/1888 Black
- D50,559 S * 4/1917 Martin D26/123
- 1,674,165 A * 6/1928 Dorey 362/340
- D79,309 S 8/1929 Sanford
- 2,010,322 A * 8/1935 Riddell 454/293
- D107,878 S 1/1938 Levy
- D115,970 S 8/1939 Stewart
- D160,640 S 10/1950 Magroch
- 2,835,791 A 5/1958 Horwitz
- 2,878,425 A 3/1959 Kudoh
- 3,040,172 A * 6/1962 Chan 362/257
- D196,618 S * 10/1963 Hammes D23/328
- D197,985 S * 4/1964 Dawson D26/123
- 3,330,951 A * 7/1967 Neal 362/309
- 3,697,742 A 10/1972 Bobrick
- 3,705,302 A 12/1972 Judge et al.
- 3,950,638 A * 4/1976 Kent et al. 362/297

- D247,562 S 3/1978 Walker et al.
- 4,173,037 A 10/1979 Henderson, Jr. et al.
- 4,241,393 A * 12/1980 Olson 362/348
- D259,518 S 6/1981 Garcia et al.
- D264,007 S 4/1982 Heritage
- 4,336,575 A 6/1982 Gilman
- 4,388,677 A 6/1983 Druffel
- 4,453,203 A * 6/1984 Pate 362/345
- 4,703,406 A * 10/1987 Elliott et al. 362/365
- 4,729,080 A 3/1988 Fremont et al.
- 4,761,721 A 8/1988 Willing
- 4,803,603 A 2/1989 Carson
- D302,860 S 8/1989 Anema
- 4,972,339 A 11/1990 Gabrius
- D326,163 S * 5/1992 Sonneman D26/152

(Continued)

OTHER PUBLICATIONS

U.S. Appl. No. 29/267,856, filed Oct. 23, 2006, Chan et al.

(Continued)

Primary Examiner—Freda S. Nunn
Assistant Examiner—Kevin K Rudzinski
(74) *Attorney, Agent, or Firm*—Burr & Brown

(57) **CLAIM**

The ornamental design for a lighting device, as shown and described.

DESCRIPTION

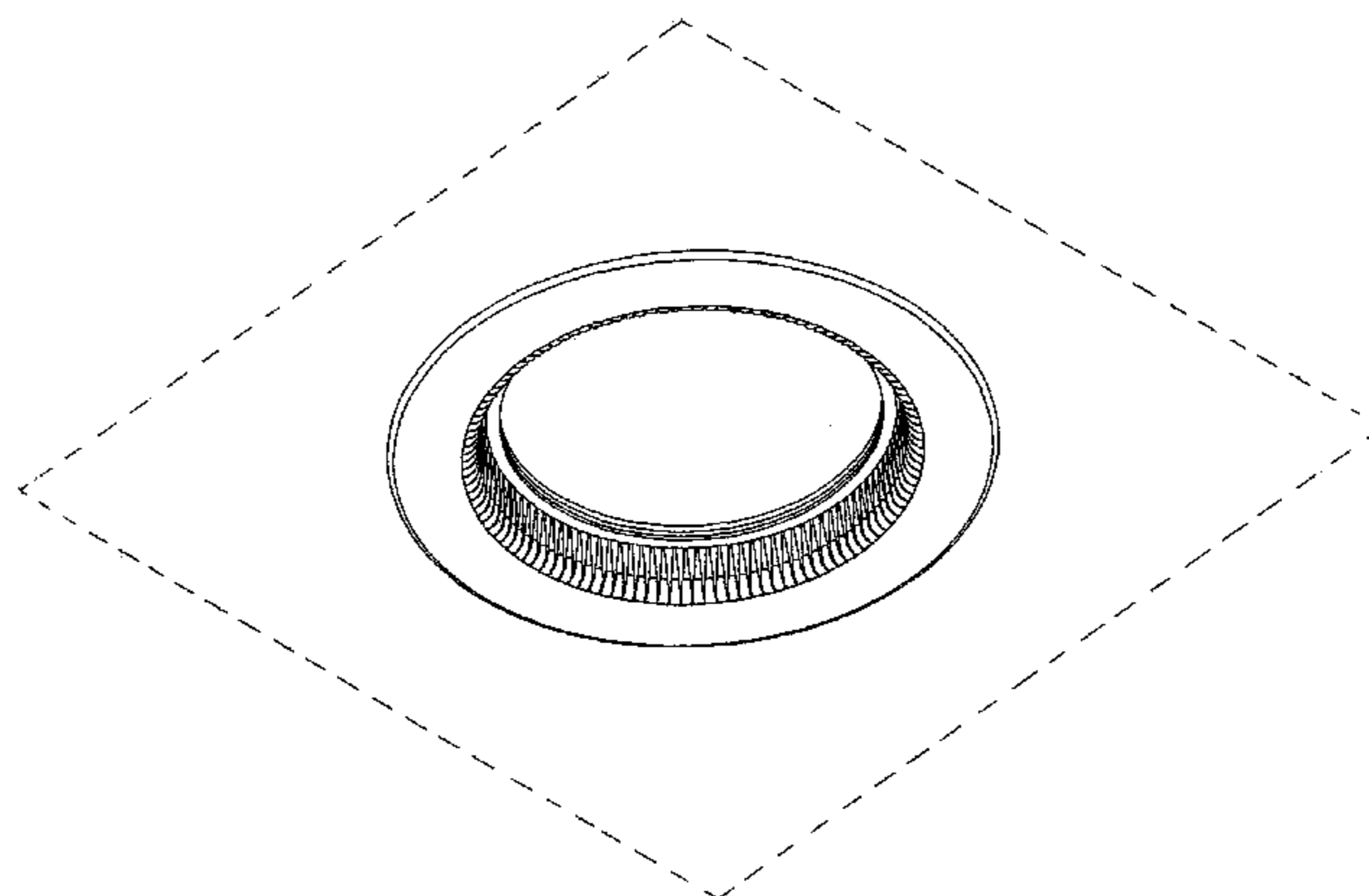
FIG. 1 is a perspective view of the lighting device in accordance with our new design;

FIG. 2 is a bottom view thereof; and,

FIG. 3 is a front side view thereof, the right side, left side and rear side views being identical to the front side view.

The portions shown in broken lines are for illustrative purposes only and form no part of the claimed design.

1 Claim, 2 Drawing Sheets



U.S. PATENT DOCUMENTS

D326,537 S 5/1992 Gattari
 5,183,330 A 2/1993 Rishel et al.
 D340,514 S 10/1993 Liao
 5,287,259 A * 2/1994 Lautzenheiser 362/341
 D347,292 S 5/1994 Roos et al.
 D352,797 S * 11/1994 Mehaffey D26/85
 D353,910 S 12/1994 Hayman et al.
 5,373,431 A 12/1994 Hayman et al.
 5,440,471 A 8/1995 Zadeh
 5,465,199 A 11/1995 Bray et al.
 D370,550 S 6/1996 Lecluze
 D376,667 S 12/1996 Lucluze
 D381,454 S 7/1997 Lecluze
 D383,565 S 9/1997 Demshki et al.
 D386,277 S * 11/1997 Lecluze D26/74
 D387,466 S 12/1997 Lecluze
 D388,526 S 12/1997 Bray
 D397,490 S 8/1998 Lecluze
 5,800,050 A 9/1998 Leadford
 5,823,664 A 10/1998 Demshki et al.
 5,857,766 A 1/1999 Sieczkowski
 D410,295 S 5/1999 Lueken et al.
 5,957,574 A 9/1999 Hentz et al.
 6,004,011 A 12/1999 Sieczkowski
 6,089,732 A 7/2000 Wright et al.
 6,095,669 A 8/2000 Cho
 6,123,438 A 9/2000 Hentz
 6,179,446 B1 1/2001 Sarmadi
 D437,654 S 2/2001 Chen
 6,217,189 B1 4/2001 Nassim
 6,283,430 B1 9/2001 Schubert et al.
 6,375,338 B1 4/2002 Cummings et al.
 6,474,846 B1 11/2002 Kelmelis et al.
 6,505,960 B2 1/2003 Schubert et al.
 D469,916 S 2/2003 Caferro et al.
 D471,314 S * 3/2003 Guthrie D26/152
 D473,965 S 4/2003 Lecluze
 D474,298 S 5/2003 Lecluze
 D474,300 S * 5/2003 Lecluze D26/74
 D476,108 S 6/2003 Lecluze
 6,588,922 B1 7/2003 DeCicco
 6,632,006 B1 10/2003 Rippel et al.
 6,655,813 B1 12/2003 Ng
 D485,006 S 1/2004 Huang
 D488,252 S 4/2004 Benghozi
 D488,583 S * 4/2004 Benghozi D26/118
 D490,930 S * 6/2004 Snead D26/152

6,755,559 B2 6/2004 Wang et al.
 6,921,186 B1 7/2005 Viskovich
 D516,235 S * 2/2006 Rashidi D26/74
 D527,119 S 8/2006 Maxik et al.
 D528,673 S 9/2006 Maxik et al.
 D538,951 S 3/2007 Maxik et al.
 D538,952 S 3/2007 Maxik et al.
 D544,128 S 6/2007 Carro
 D545,457 S 6/2007 Chen
 D548,391 S * 8/2007 Lecluze D26/138
 2003/0142499 A1 7/2003 Chiu
 2003/0185012 A1 * 10/2003 Sitzema et al. 362/328

OTHER PUBLICATIONS

U.S. Appl. No. 29/267,857, filed Oct. 23, 2006, Chan et al.
 U.S. Appl. No. 29/267,911, filed Oct. 23, 2006, Chan et al.
 U.S. Appl. No. 29/267,853, filed Oct. 23, 2006, Chan et al.
 U.S. Appl. No. 29/267,854, filed Oct. 23, 2006, Chan et al.
 U.S. Appl. No. 29/267,860, filed Oct. 23, 2006, Chan et al.
 U.S. Appl. No. 29/267,855, filed Oct. 23, 2006, Chan et al.
 U.S. Appl. No. 29/267,852, filed Oct. 23, 2006, Chan et al.
 U.S. Appl. No. 29/279,351, filed Apr. 27, 2007, Chan et al.
 U.S. Appl. No. 29/279,354, filed Apr. 27, 2007, Chan et al.
 U.S. Appl. No. 29/279,355, filed Apr. 27, 2007, Chan et al.
 U.S. Appl. No. 29/279,357, filed Apr. 27, 2007, Pickard et al.
 U.S. Appl. No. 29/279,589, filed May 3, 2007, Pickard et al.
 U.S. Appl. No. 29/279,591, filed May 3, 2007, Pickard et al.
 U.S. Appl. No. 29/284,294, filed Sep. 5, 2007, Pickard et al.
 DOE SSL Commercial Product Testing Program Report, DOE SSL CPTP Report Product Test Reference # CPTP 07-09 Replacement Lamp, (2007), pp. 1-23.
 DOE SSL Commercial Product Testing Program Report, DOE SSL CPTP Report Product Test Reference # CPTP 07-04 Downlight, (2007), pp. 1-13.
 DOE SSL Commercial Product Testing Program Report, DOE SSL CPTP Report Product Test Reference # CPTP 07-05 Downlight, (2007), pp. 1-13.
 DOE SSL Commercial Product Testing Program Report, DOE SSL CPTP Report Product Test Reference # CPTP 07-06 Replacement Lamp, (2007), pp. 1-22.
 DOE SSL Commercial Product Testing Program Report, DOE SSL CPTP Report Product Test Reference # CPTP 07-08 Replacement Lamp, (2007), pp. 1-22.
 EVO Lighting—Solid State LED Lighting, http://www.renais-sancelighting.com/index_PA.php?t=line&Type=1, evo is a product of RL Light, 2007, pp. 1-15.

* cited by examiner

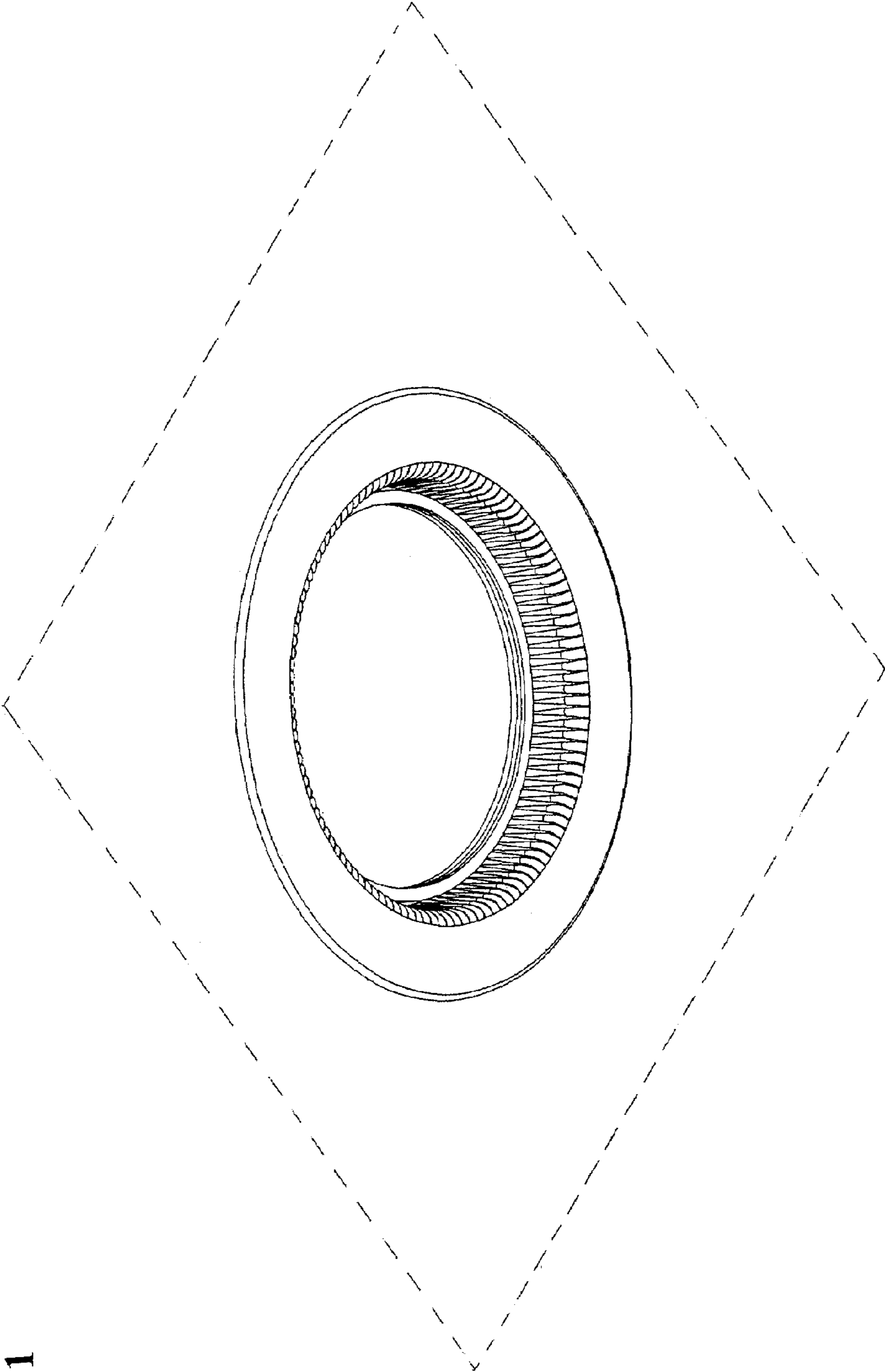


Fig. 1

Fig. 2

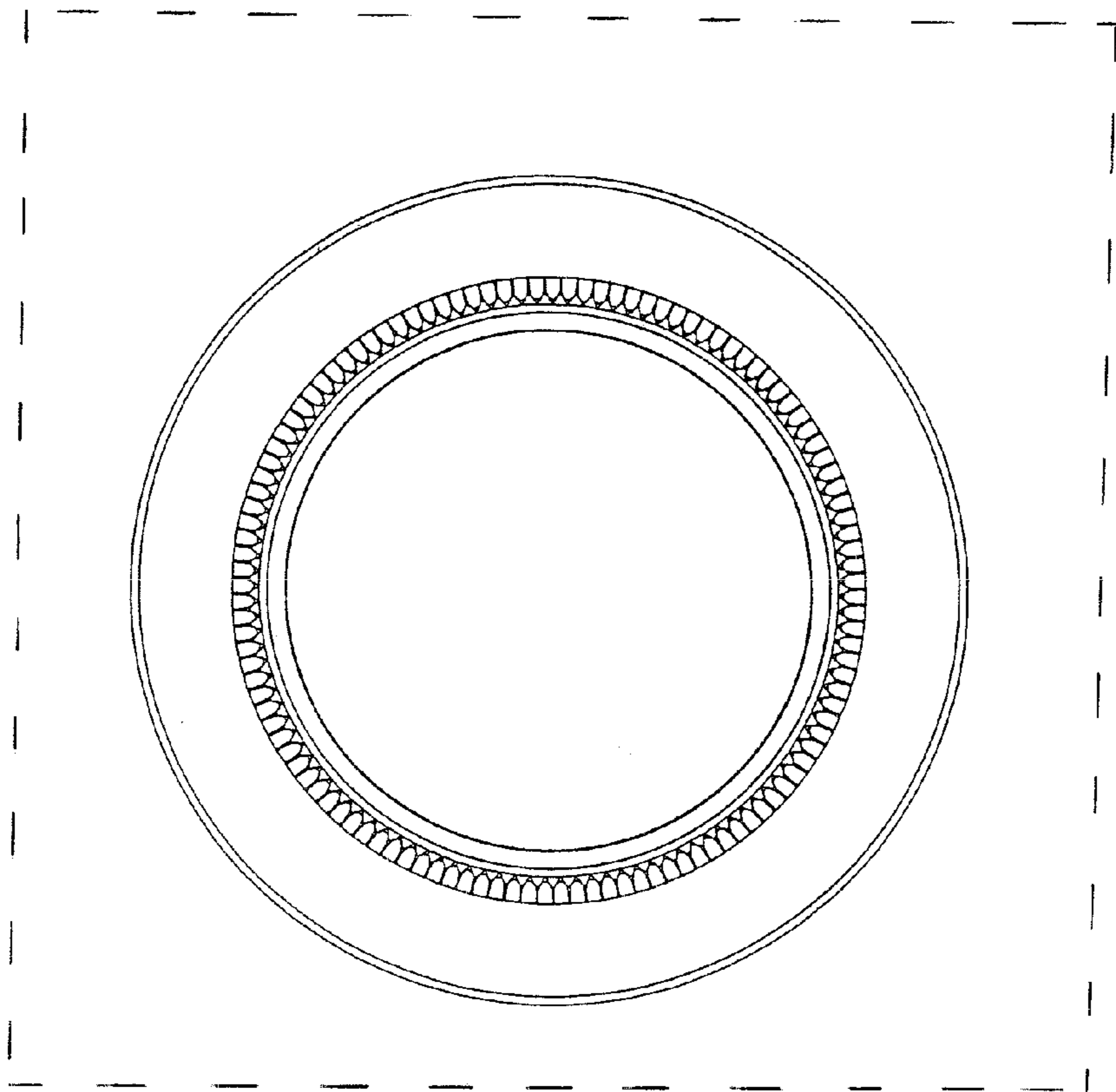


Fig. 3

