

US00D571037S

(12) **United States Design Patent**  
**Lou**

(10) **Patent No.:** **US D571,037 S**  
(45) **Date of Patent:** **\*\* Jun. 10, 2008**

(54) **DOUBLE-EDGED HID ELECTRONIC BALLAST**

(76) Inventor: **Fangshou Lou**, No. 15, Chang Wen Road, Pan An County, Zhejiang 322300 (CN)

(\*\*) Term: **14 Years**

(21) Appl. No.: **29/256,719**

(22) Filed: **Mar. 24, 2006**

(30) **Foreign Application Priority Data**

Sep. 30, 2005 (CN) ..... 2005 3 0125657

(51) **LOC (8) Cl.** ..... **26-99**

(52) **U.S. Cl.** ..... **D26/138**

(58) **Field of Classification Search** ..... D26/123, D26/128, 142, 118, 65, 125, 147, 74, 138, D26/113, 24, 61, 63, 133, 120, 67, 85, 32, D26/60, 73, 93, 94, 98, 103, 122, 124, 129, D26/137, 151, 152, 153, 156; D21/484, D21/490; D13/110; 206/223; 362/351, 362/330, 363

See application file for complete search history.

(56) **References Cited**

**U.S. PATENT DOCUMENTS**

2,477,957 A \* 8/1949 Briskin ..... 362/294  
D193,573 S \* 9/1962 Goodman ..... D26/137  
3,197,545 A \* 7/1965 Moore ..... 174/559  
3,265,885 A \* 8/1966 Porter ..... 362/218

D215,068 S \* 8/1969 Kostritsky ..... D26/67  
D217,785 S \* 6/1970 Wolff ..... D26/24  
4,419,716 A \* 12/1983 Koo ..... 362/96  
4,613,931 A \* 9/1986 Messinger ..... 362/373  
D291,925 S \* 9/1987 Dacanay ..... D26/61  
5,377,089 A \* 12/1994 Miller ..... 362/373  
D450,406 S \* 11/2001 Knappstein ..... D26/72

\* cited by examiner

*Primary Examiner*—Freda S. Nunn

*Assistant Examiner*—Kevin K Rudzinski

(74) *Attorney, Agent, or Firm*—Birch, Stewart, Kolasch & Birch, LLP

(57) **CLAIM**

The ornamental design for a double-edged hid electronic ballast, as shown and described.

**DESCRIPTION**

FIG. 1 is a front perspective view of a double-edged hid electronic ballast showing my new design;

FIG. 2 is a rear perspective view thereof;

FIG. 3 is a front side elevational view thereof;

FIG. 4 is a top plan view thereof;

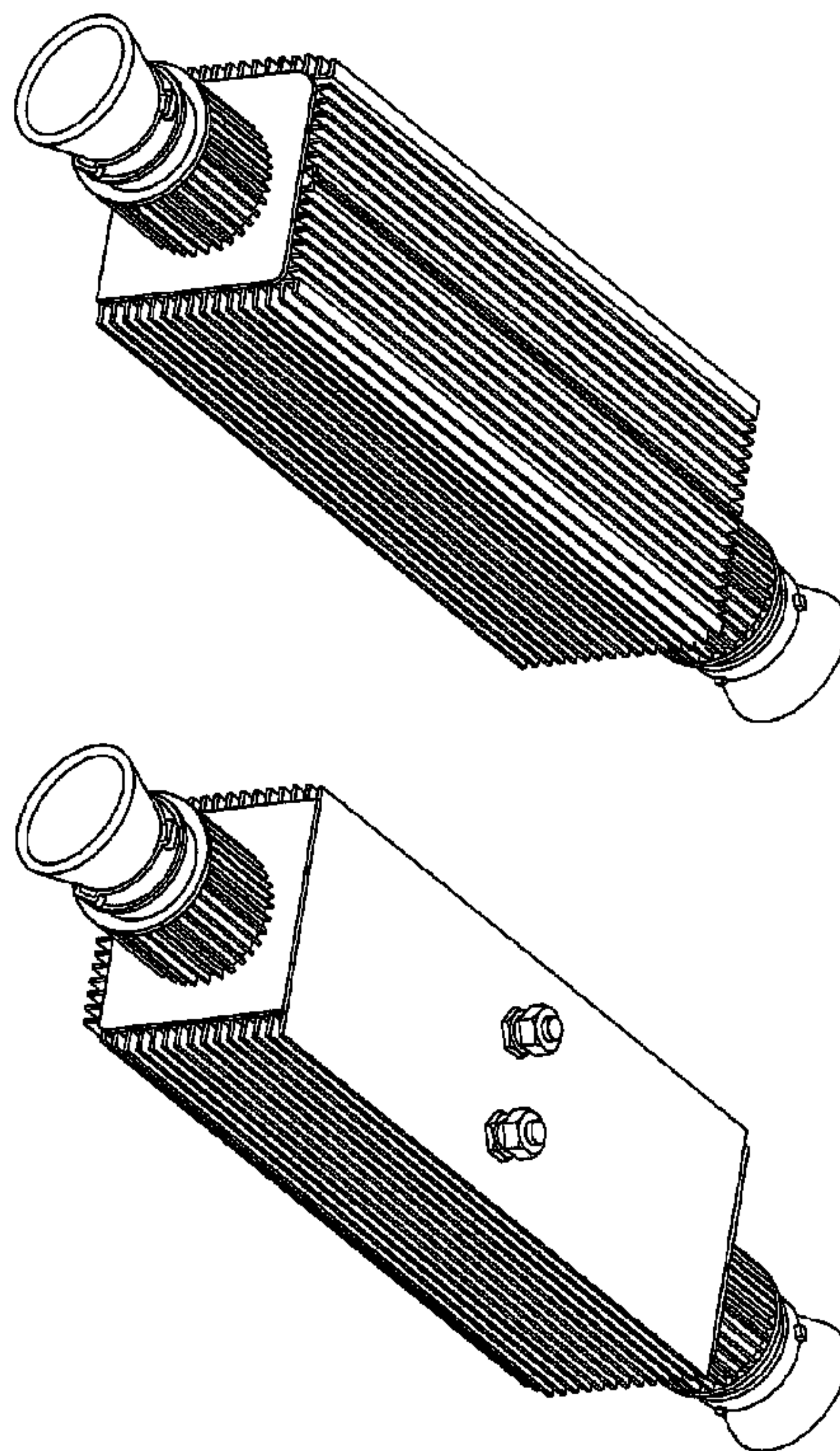
FIG. 5 is a rear side elevational view thereof;

FIG. 6 is a bottom plan view thereof;

FIG. 7 is a left side elevational view thereof; and,

FIG. 8 is a right side elevational view thereof.

**1 Claim, 3 Drawing Sheets**



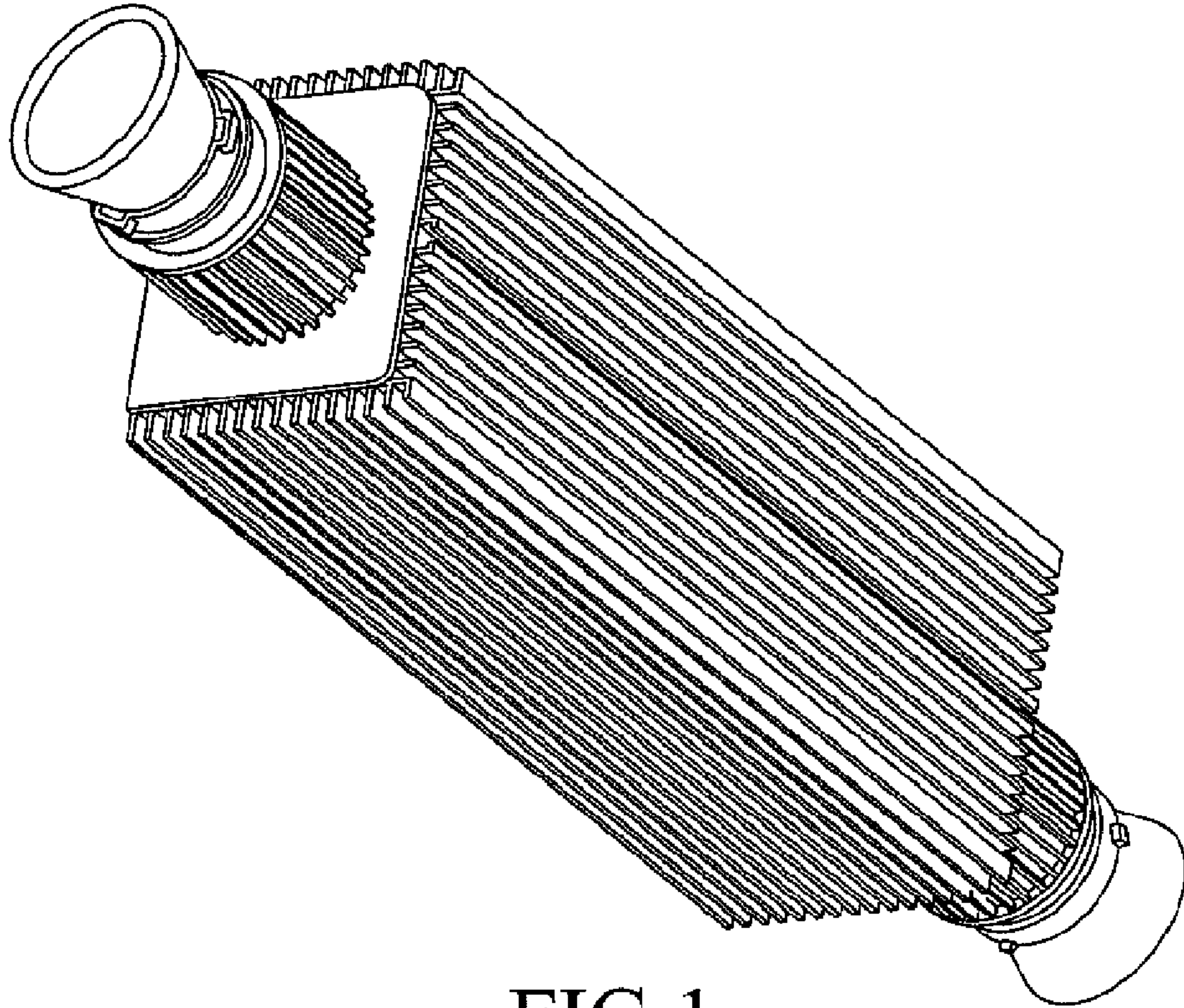


FIG. 1

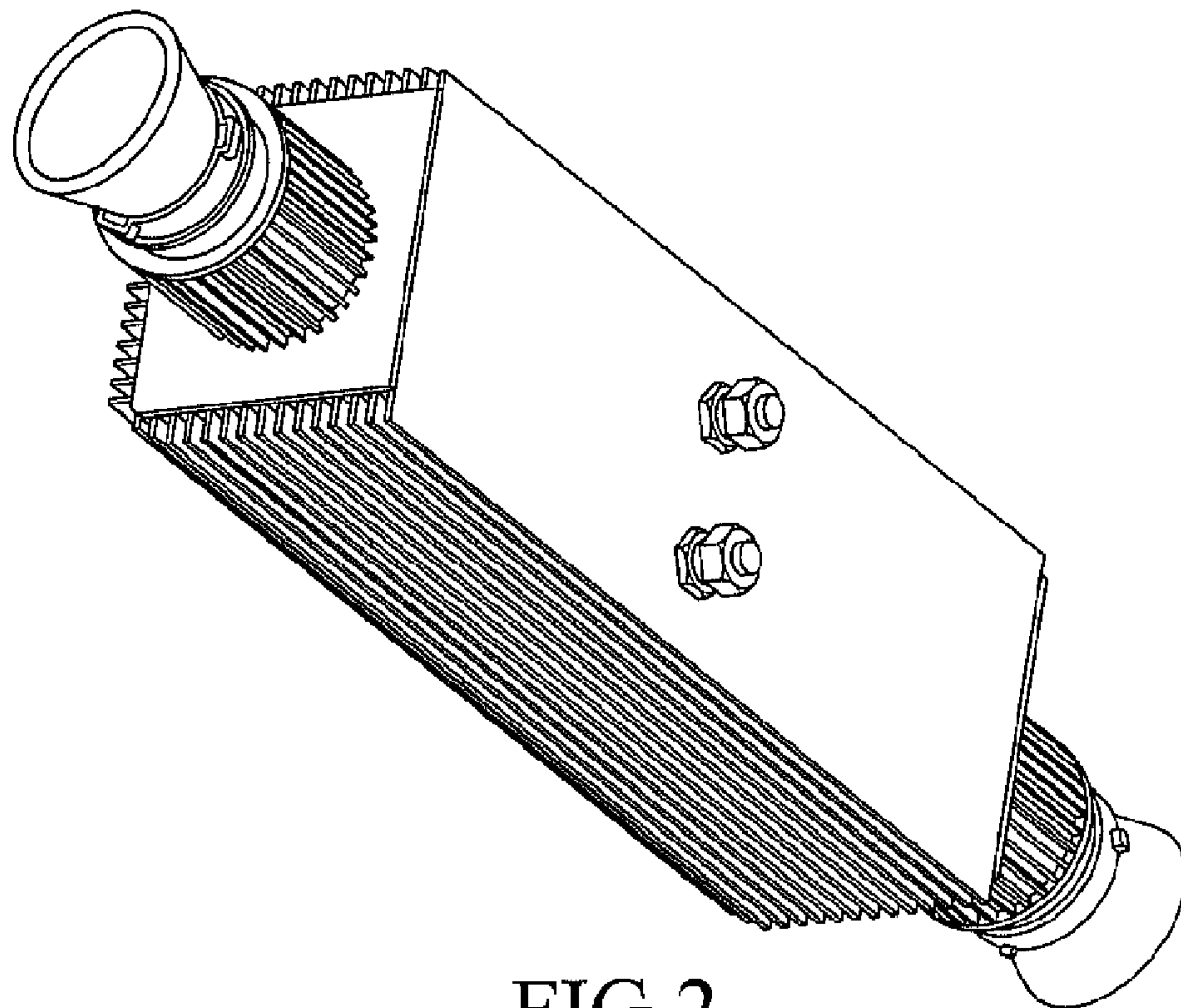


FIG. 2



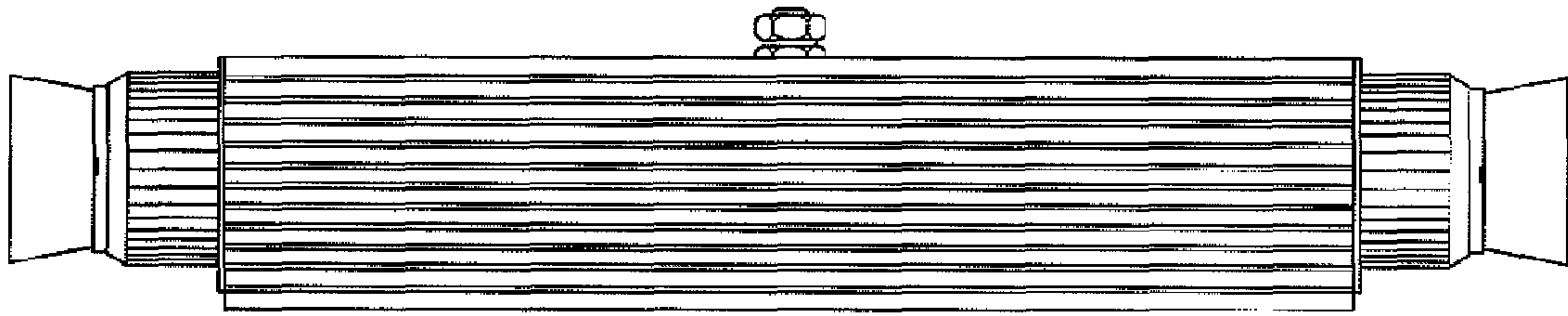


FIG.3

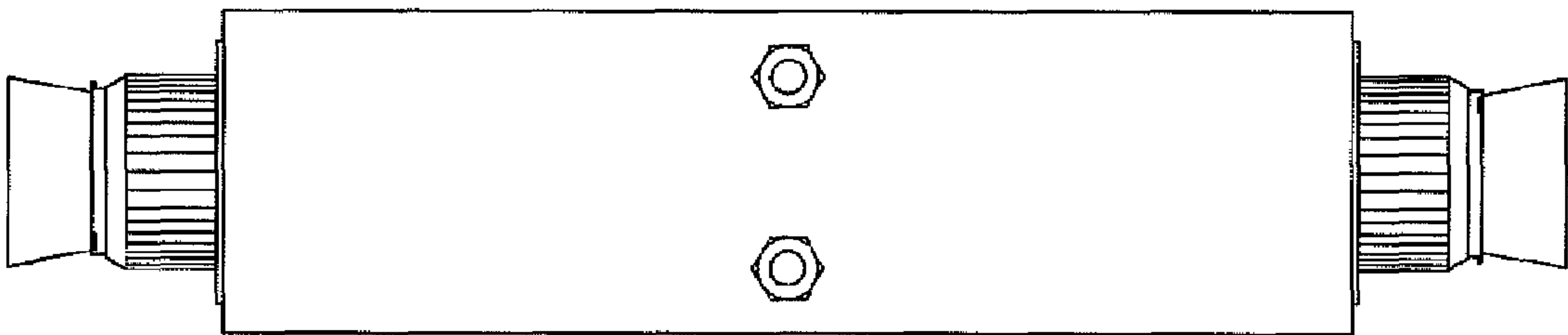


FIG.4

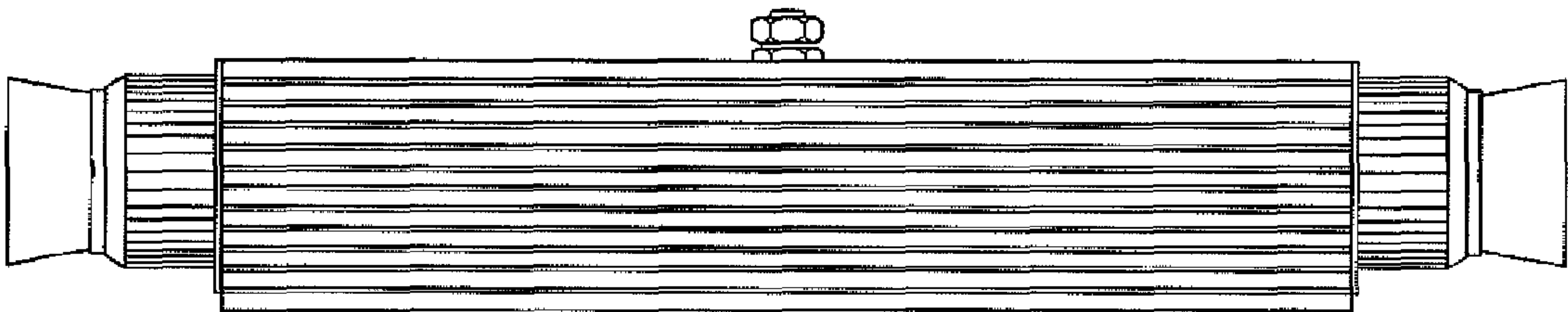


FIG.5

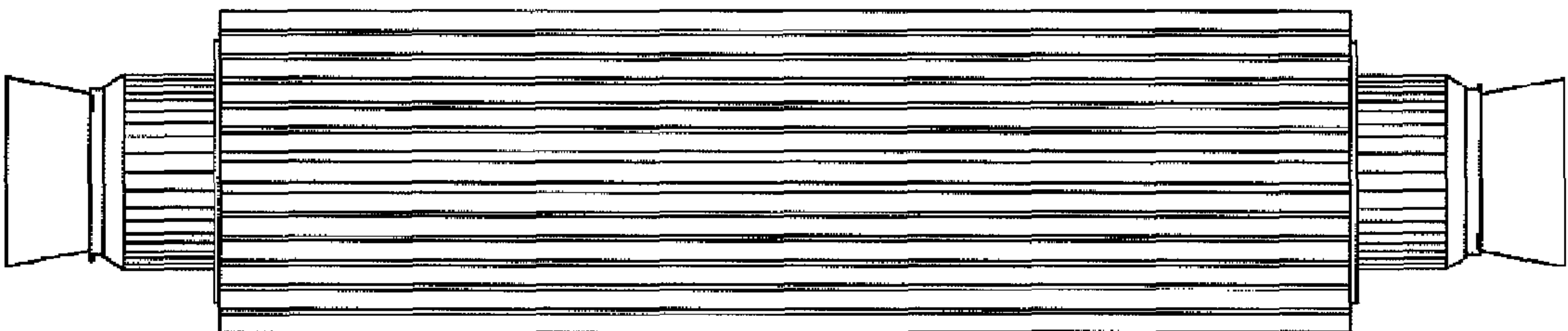


FIG.6

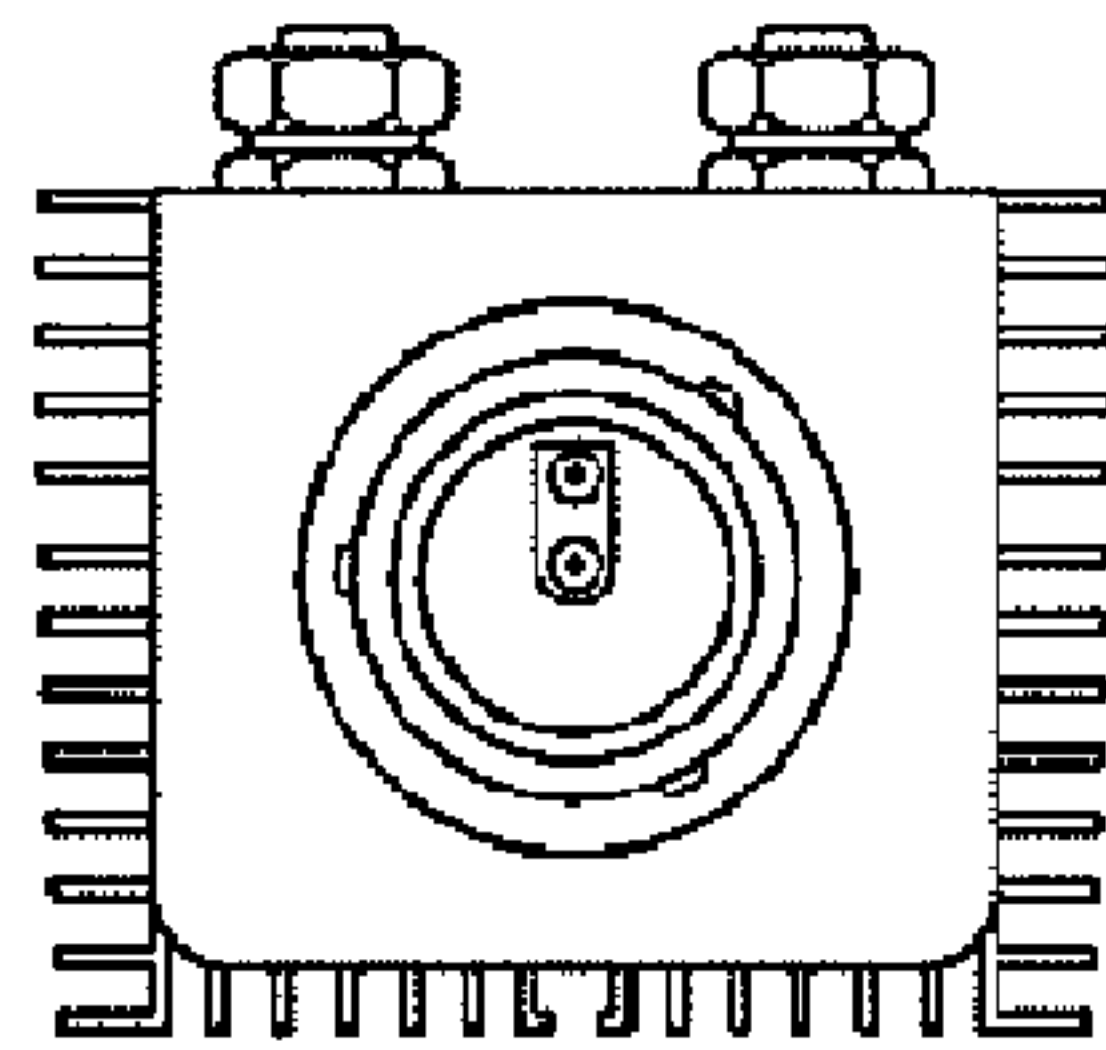


FIG. 7

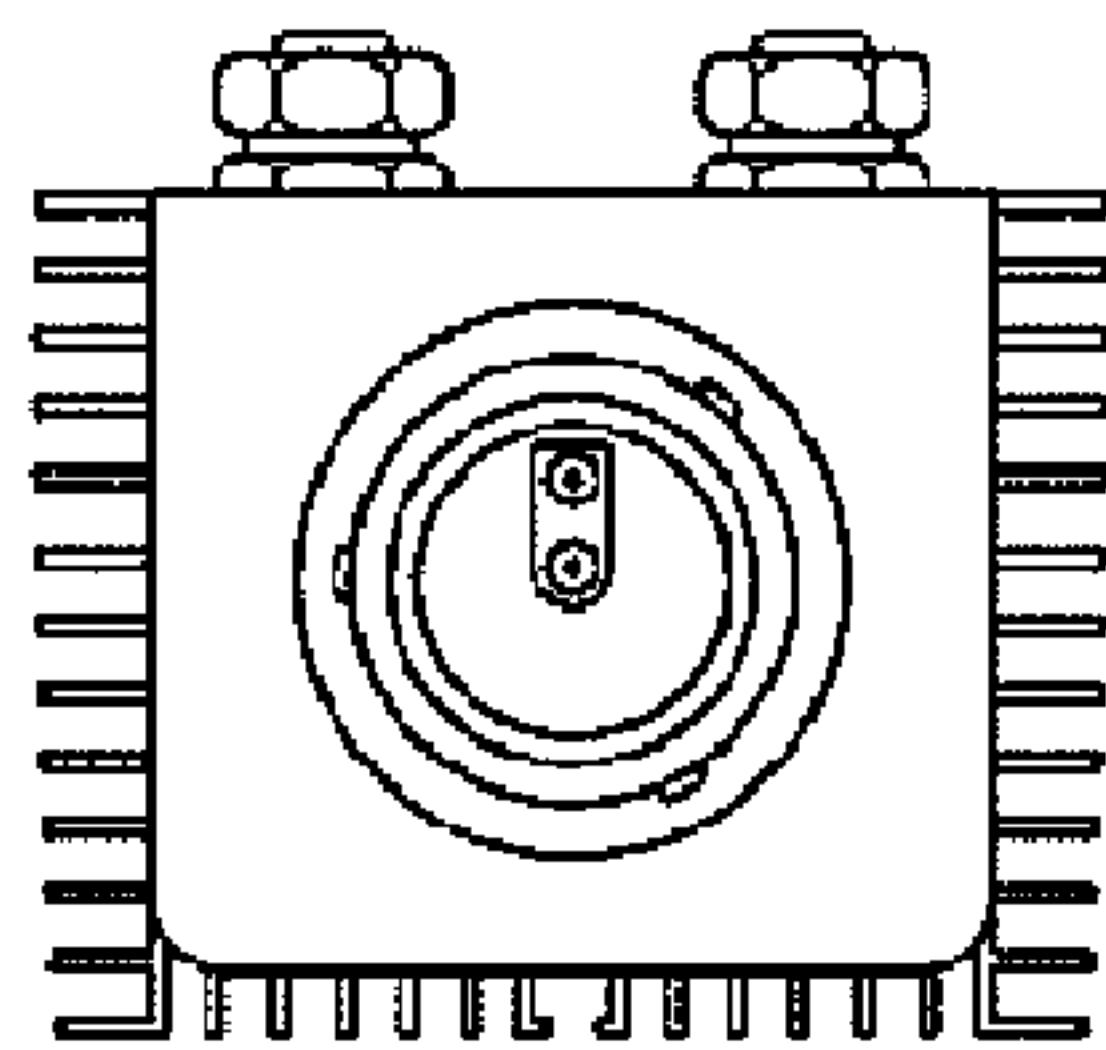


FIG. 8