

US00D571036S

(12) **United States Design Patent**  
**Rashidi**

(10) **Patent No.:** **US D571,036 S**

(45) **Date of Patent:** **\*\* Jun. 10, 2008**

(54) **FULL CONED SHAPED BAFFLE WITH LENS**

(76) **Inventor:** **Hamid Rashidi**, 139 N. Clark Dr.,  
Beverly Hills, CA (US) 90211

(\*\*) **Term:** **14 Years**

(21) **Appl. No.:** **29/256,970**

(22) **Filed:** **Mar. 27, 2006**

(51) **LOC (8) Cl.** ..... **26-99**

(52) **U.S. Cl.** ..... **D26/118**

(58) **Field of Classification Search** ..... D26/123,  
D26/128, 142, 118, 65, 125, 147, 74, 138,  
D26/113, 24, 61, 63, 133, 120, 67, 85, 32,  
D26/60, 73, 93, 94, 98, 103, 122, 124, 129,  
D26/137, 151, 152, 153, 156; D21/484,  
D21/490; D13/110; 206/223; 362/351,  
362/330, 363

See application file for complete search history.

(56) **References Cited**

**U.S. PATENT DOCUMENTS**

|           |     |         |                |       |         |
|-----------|-----|---------|----------------|-------|---------|
| 2,913,214 | A * | 11/1959 | Stahlhut       | ..... | 248/343 |
| 3,375,368 | A * | 3/1968  | Dorsky         | ..... | 362/306 |
| 3,872,296 | A * | 3/1975  | Cohen et al.   | ..... | 362/366 |
| 4,039,822 | A * | 8/1977  | Chan et al.    | ..... | 362/296 |
| D247,562  | S * | 3/1978  | Walker et al.  | ..... | D14/209 |
| 4,703,406 | A * | 10/1987 | Elliott et al. | ..... | 362/365 |
| D308,110  | S * | 5/1990  | Ziaylek, Jr.   | ..... | D26/36  |
| D320,862  | S * | 10/1991 | Moeller et al. | ..... | D26/24  |
| D325,789  | S * | 4/1992  | Atkinson       | ..... | D26/63  |
| D370,550  | S * | 6/1996  | Lecluze        | ..... | D26/118 |
| D376,667  | S * | 12/1996 | Lucluze        | ..... | D26/119 |
| D381,454  | S * | 7/1997  | Lecluze        | ..... | D26/118 |

|           |      |         |                 |       |         |
|-----------|------|---------|-----------------|-------|---------|
| 5,662,413 | A *  | 9/1997  | Akiyama         | ..... | 362/365 |
| D386,277  | S *  | 11/1997 | Lecluze         | ..... | D26/74  |
| D387,466  | S *  | 12/1997 | Lecluze         | ..... | D26/118 |
| D389,949  | S *  | 1/1998  | Walker          | ..... | D26/118 |
| D397,490  | S *  | 8/1998  | Lecluze         | ..... | D26/118 |
| 6,168,298 | B1 * | 1/2001  | Hentz et al.    | ..... | 362/365 |
| 6,431,723 | B1 * | 8/2002  | Schubert et al. | ..... | 362/147 |
| 6,588,922 | B1 * | 7/2003  | DeCicco         | ..... | 362/364 |
| D508,751  | S *  | 8/2005  | Rashidi         | ..... | D26/74  |
| D516,235  | S *  | 2/2006  | Rashidi         | ..... | D26/74  |

\* cited by examiner

*Primary Examiner*—Freda S. Nunn

*Assistant Examiner*—Kevin K Rudzinski

(74) *Attorney, Agent, or Firm*—Thomas I. Rozsa

(57) **CLAIM**

The ornamental design for a full coned shaped baffle with lens, as shown and described.

**DESCRIPTION**

FIG. 1 is a perspective view of the full coned shaped baffle with lens, showing my design;

FIG. 2 is a top plan view;

FIG. 3 is a bottom plan view;

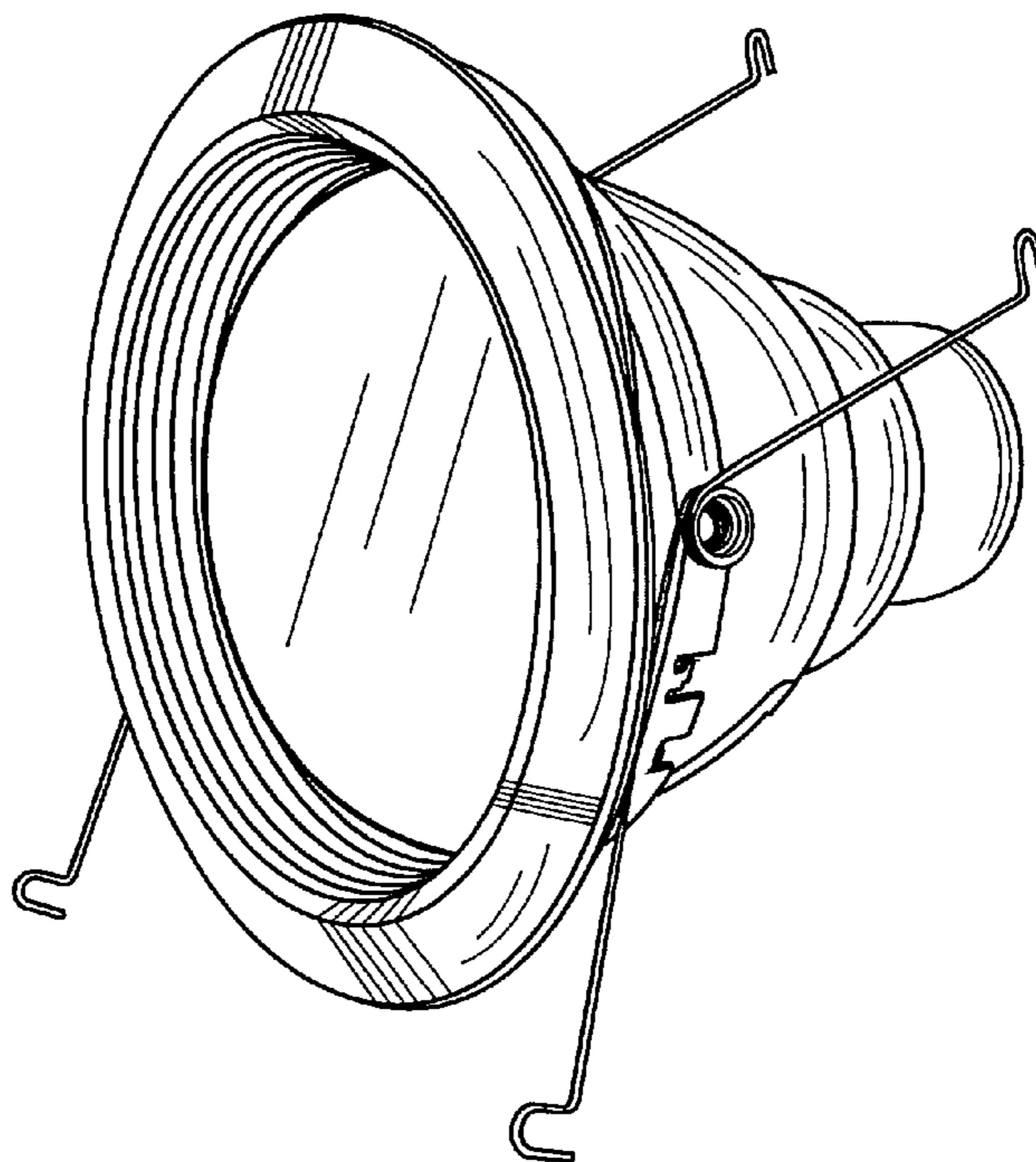
FIG. 4 is a side elevational view when viewed from the left side.

FIG. 5 is a side elevational view when viewed from the right side;

FIG. 6 is a front elevational view; and,

FIG. 7 is a rear elevational view.

**1 Claim, 7 Drawing Sheets**



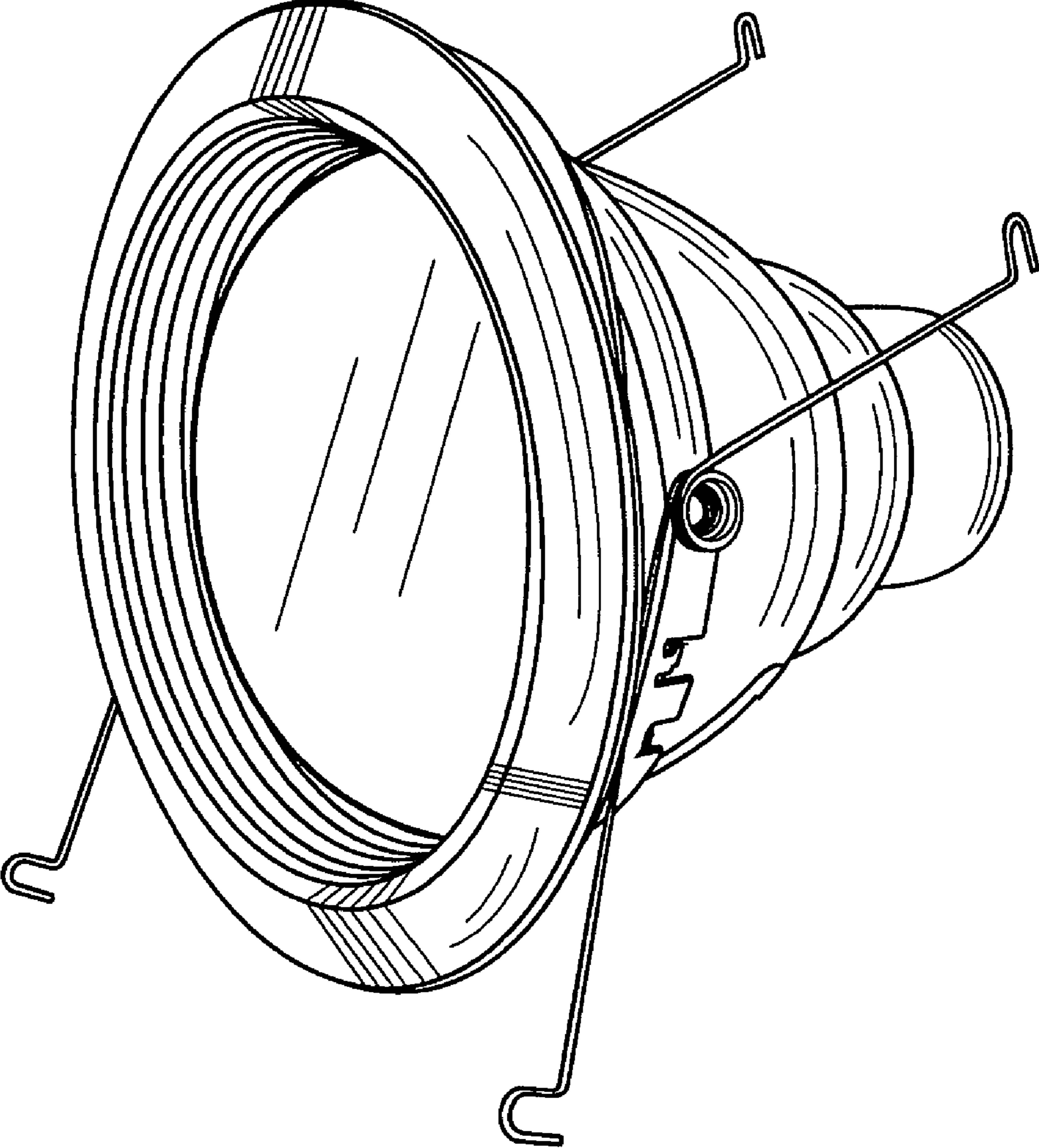


Fig. 1

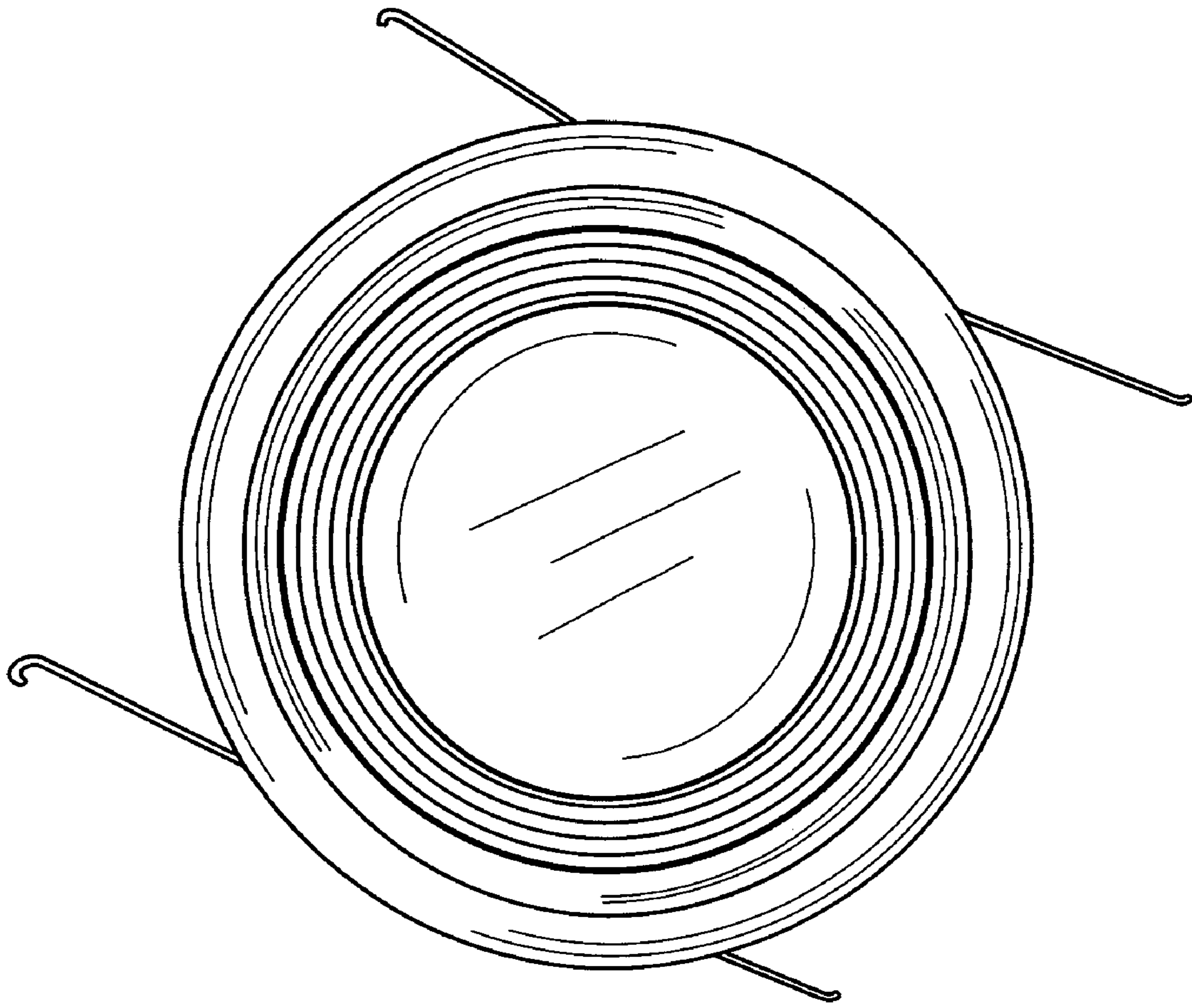


Fig. 2

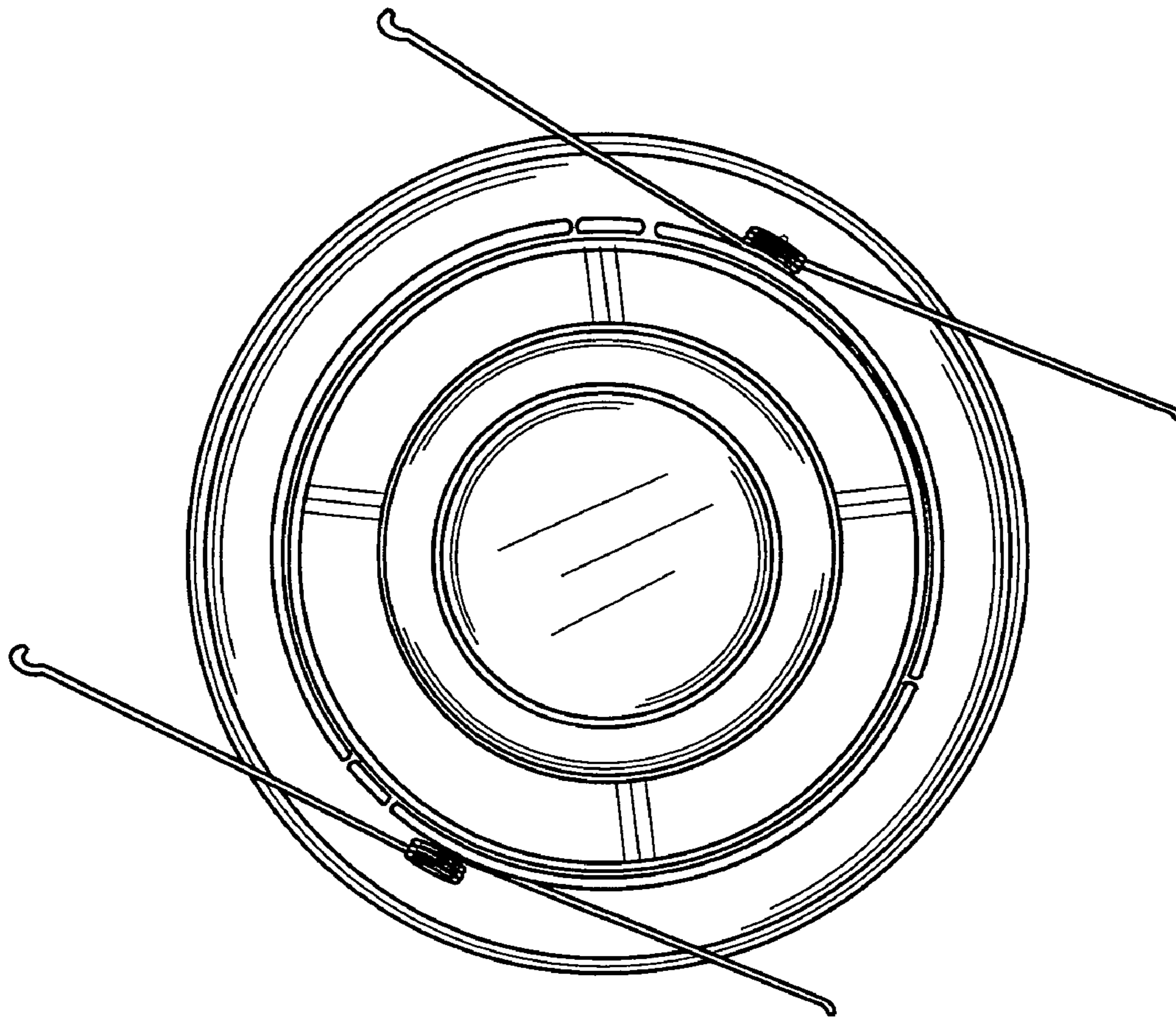


Fig. 3

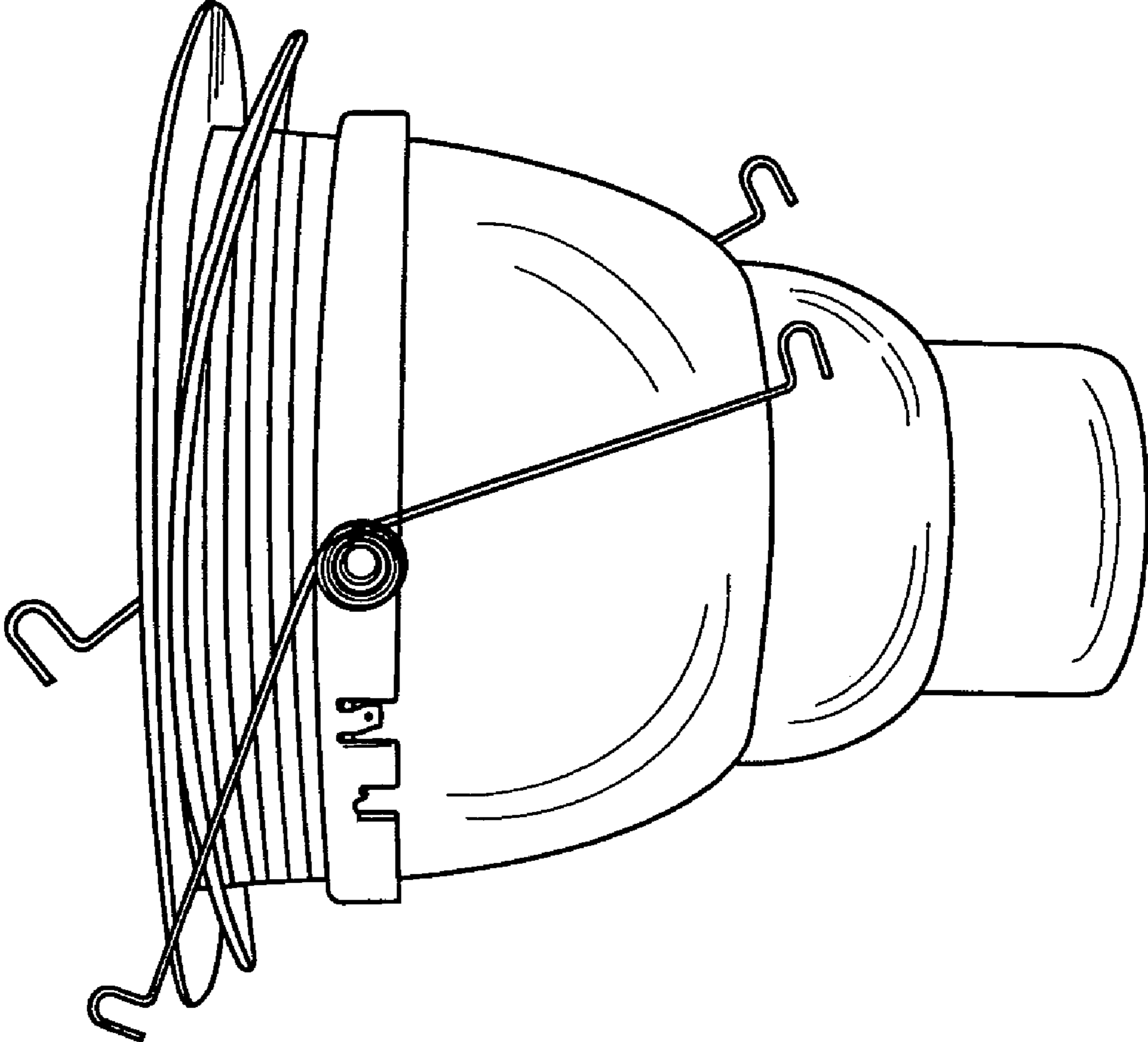


Fig. 4

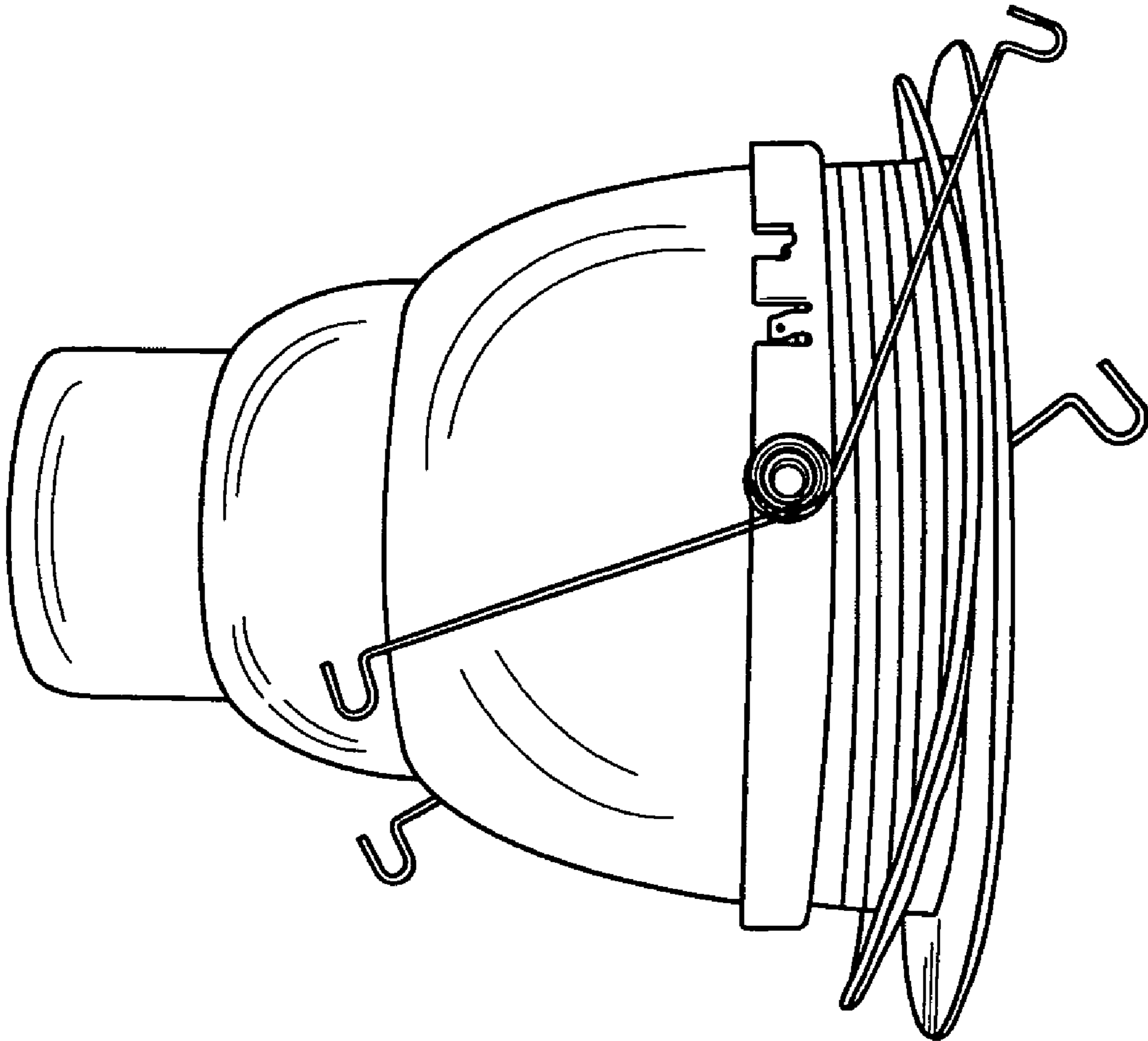


Fig. 5

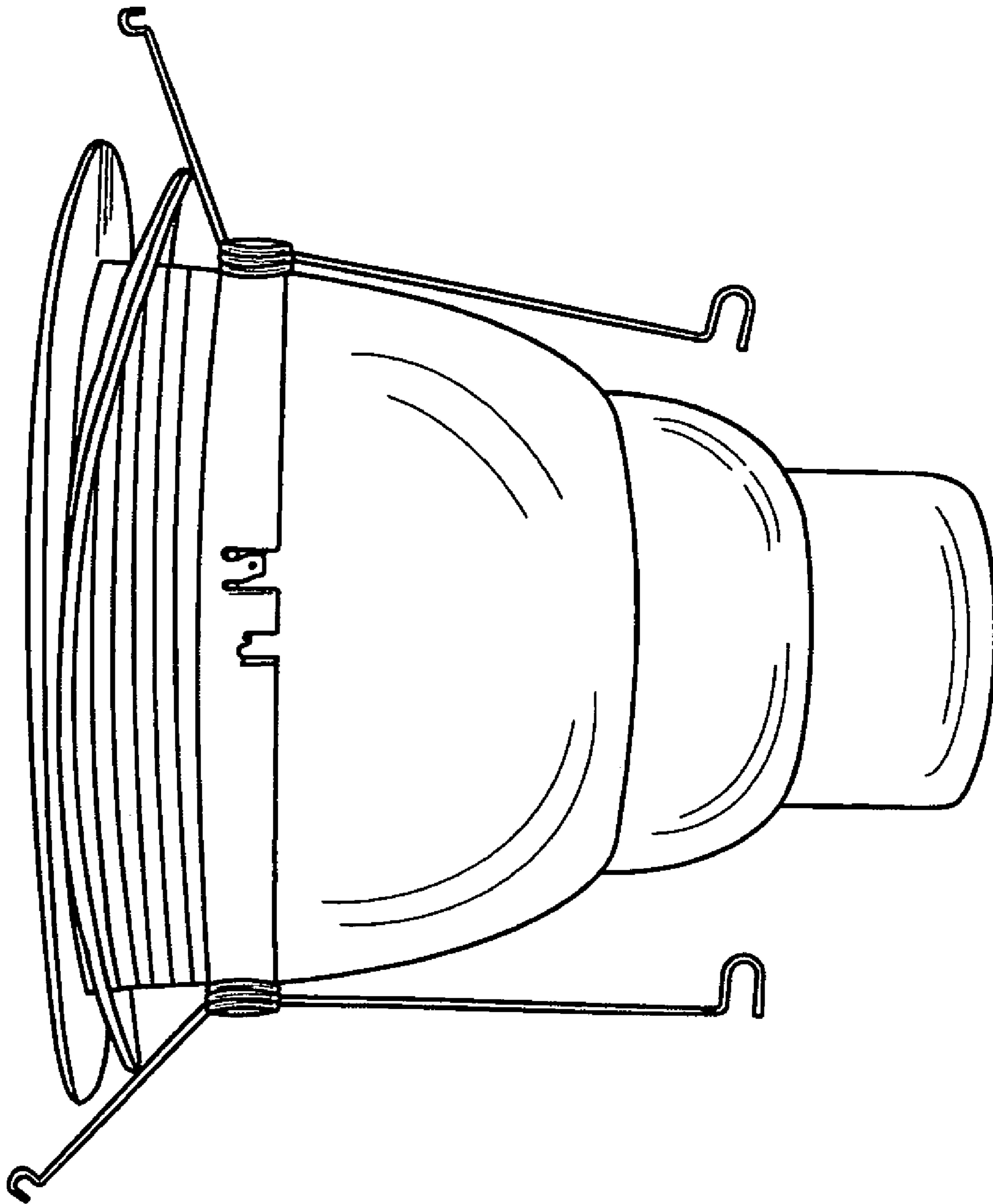


Fig. 6

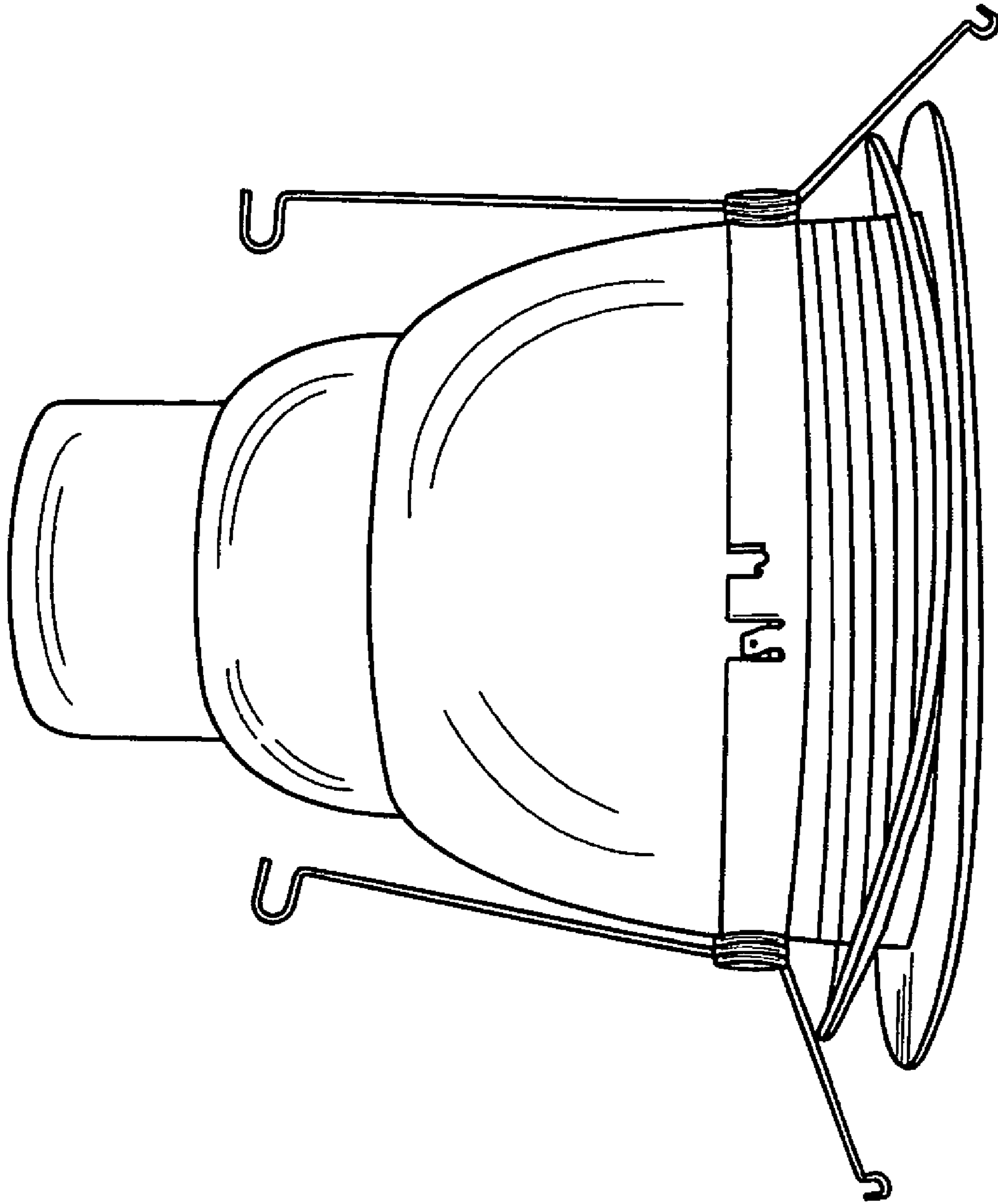


Fig. 7