

US00D571033S

(12) **United States Design Patent**  
**Gordin et al.**

(10) **Patent No.:** **US D571,033 S**  
(45) **Date of Patent:** **\*\* Jun. 10, 2008**

(54) **LIGHTING FIXTURE**

(75) Inventors: **Myron K. Gordin**, Oskaloosa, IA (US);  
**Timothy J. Boyle**, Oskaloosa, IA (US)

(73) Assignee: **Musco Corporation**, Oskaloosa, IA  
(US)

(\*\*) Term: **14 Years**

(21) Appl. No.: **29/281,996**

(22) Filed: **Jul. 9, 2007**

**Related U.S. Application Data**

(62) Division of application No. 29/221,693, filed on Jan. 18, 2005.

(51) **LOC (8) Cl.** ..... **26-05**

(52) **U.S. Cl.** ..... **D26/72; D26/139; D26/118**

(58) **Field of Classification Search** ..... D26/85,  
D26/118, 138, 139; 362/347, 349, 359  
See application file for complete search history.

(56) **References Cited**

**U.S. PATENT DOCUMENTS**

1,109,206 A	9/1914	Dexheiner et al.	
1,444,739 A *	2/1923	Geisendorfer et al. ....	362/284
1,508,791 A *	9/1924	Hoffman et al. ....	362/322
1,559,464 A *	10/1925	Sachse .....	362/293
1,560,408 A *	11/1925	Charlebois .....	362/343
1,560,948 A *	11/1925	Smothers .....	362/283
D84,982 S *	9/1931	Frame .....	D26/139
2,447,923 A	8/1948	Tuck	
2,495,265 A	1/1950	Krogman	
2,578,451 A *	12/1951	Rex .....	362/297
3,604,913 A	9/1971	Crete	
4,190,881 A	2/1980	Drost et al.	
4,228,489 A	10/1980	Martin	
D257,891 S	1/1981	Drost	
4,423,471 A	12/1983	Gordin	
4,450,507 A	5/1984	Gordin	
4,712,167 A	12/1987	Gordin	
4,729,077 A	3/1988	Gordin	
D295,326 S *	4/1988	Dahlgren .....	D26/63

4,816,974 A	3/1989	Gordin	
4,864,476 A	9/1989	Lemons et al.	
4,947,303 A	8/1990	Gordin	
5,012,398 A	4/1991	Jones	
5,161,883 A	11/1992	Gordin et al.	
5,207,747 A	5/1993	Gordin	
5,313,379 A *	5/1994	Lemons et al. ....	362/298
5,426,577 A	6/1995	Gordin	
5,707,142 A	1/1998	Gordin	
5,800,048 A	9/1998	Gordin	
5,856,721 A	1/1999	Gordin	
5,860,733 A	1/1999	Stone	
5,887,969 A	3/1999	Gordin	
6,203,176 B1	3/2001	Gordin	
6,398,392 B2	6/2002	Gordin	
6,474,844 B1	11/2002	Ching	
6,857,763 B2	2/2005	Keller	
2003/0147240 A1	8/2003	Gordin	

**FOREIGN PATENT DOCUMENTS**

EP 1172839 A2 1/2002

\* cited by examiner

*Primary Examiner*—Clare E Heflin  
(74) *Attorney, Agent, or Firm*—McKee, Voorhees & Sease, P.L.C.

(57) **CLAIM**

We claim the ornamental design for a lighting fixture, as shown.

**DESCRIPTION**

FIG. 1 is a perspective view of a lighting fixture according to the present invention.

FIG. 2 is a top view of FIG. 1.

FIG. 3 is a rear view of FIG. 1.

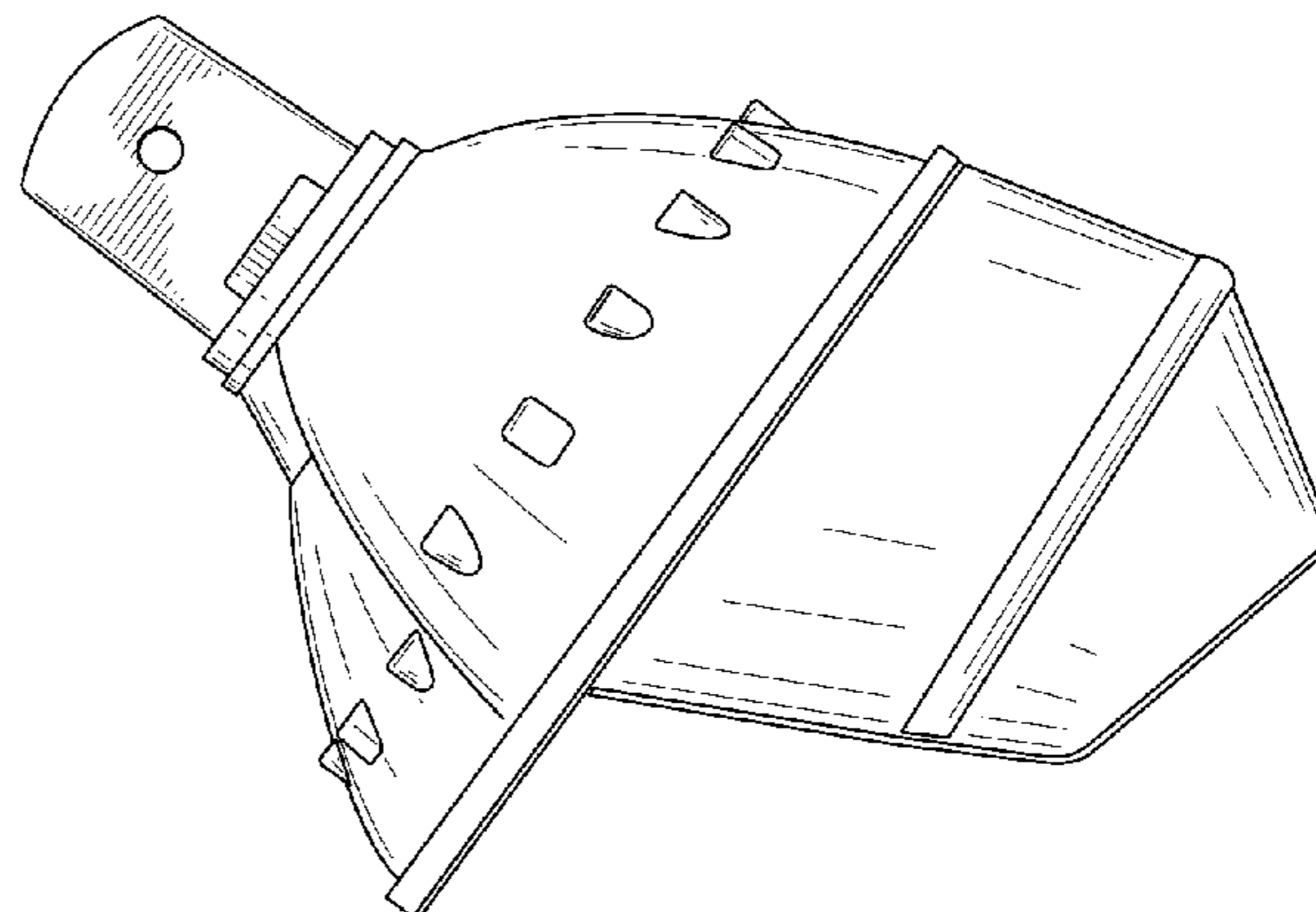
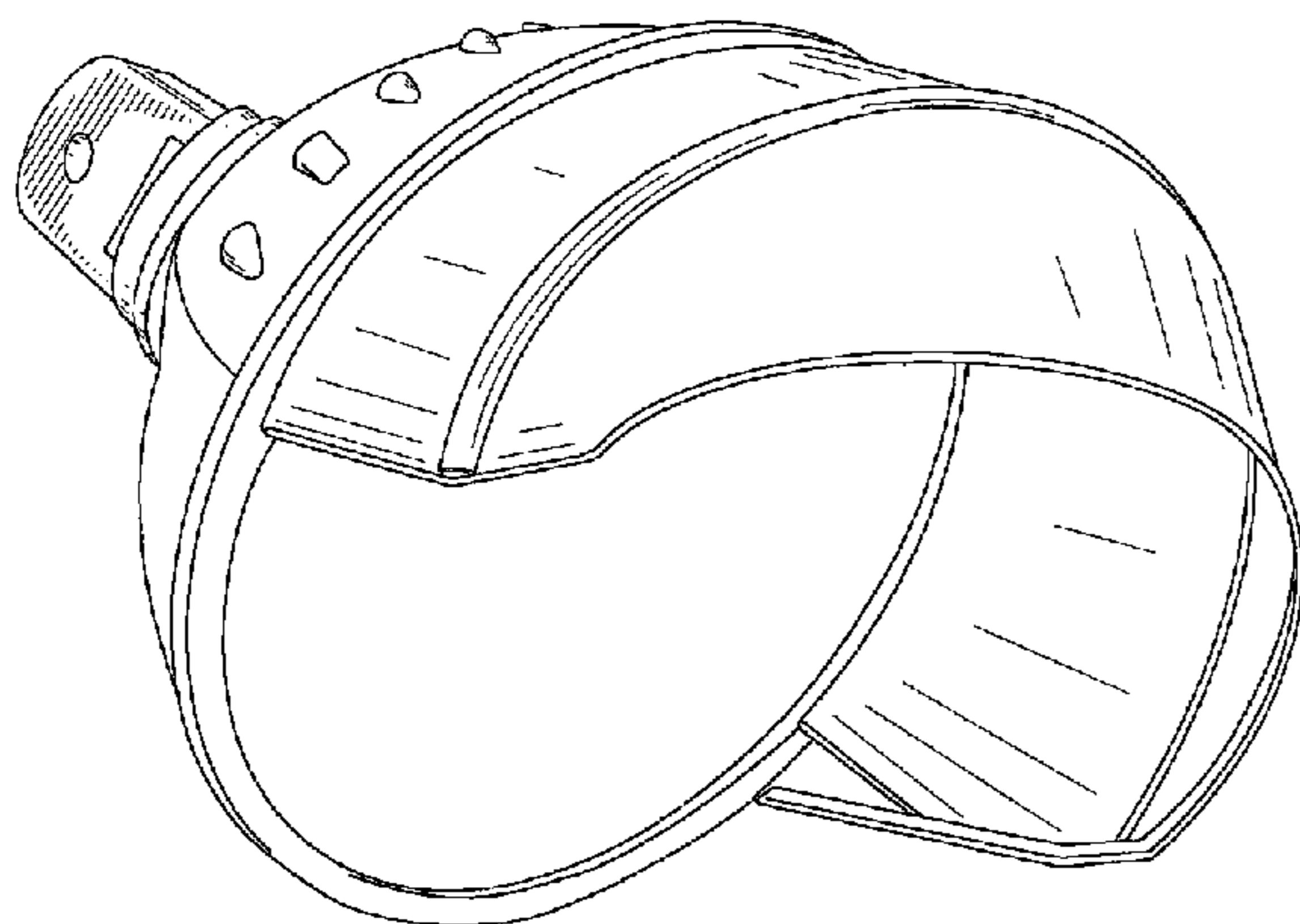
FIG. 4 is a left side view of FIG. 1.

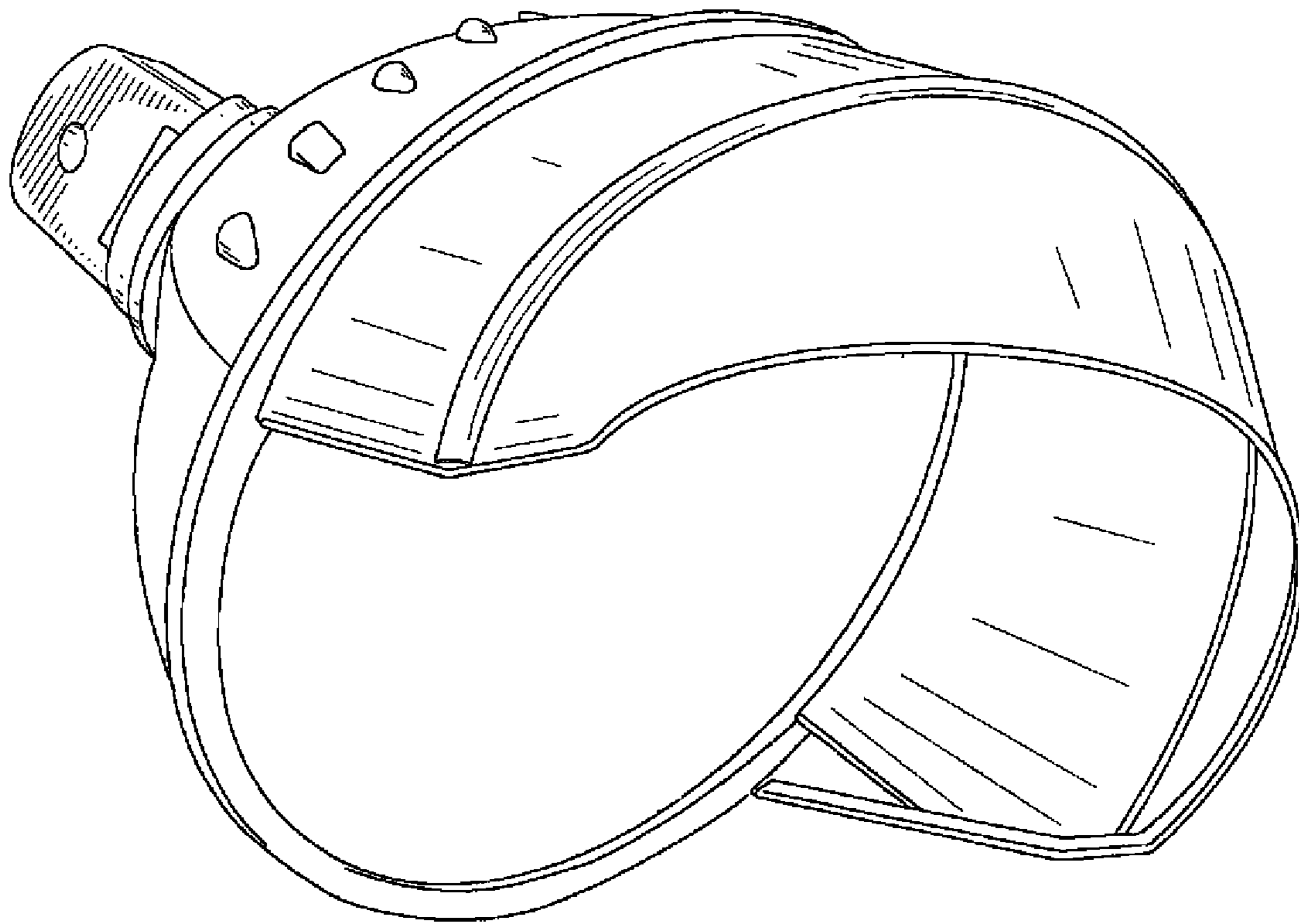
FIG. 5 is a right side view of FIG. 1.

FIG. 6 is a front elevation of FIG. 1; and,

FIG. 7 is a bottom view of FIG. 1.

**1 Claim, 7 Drawing Sheets**





**FIG. 1**

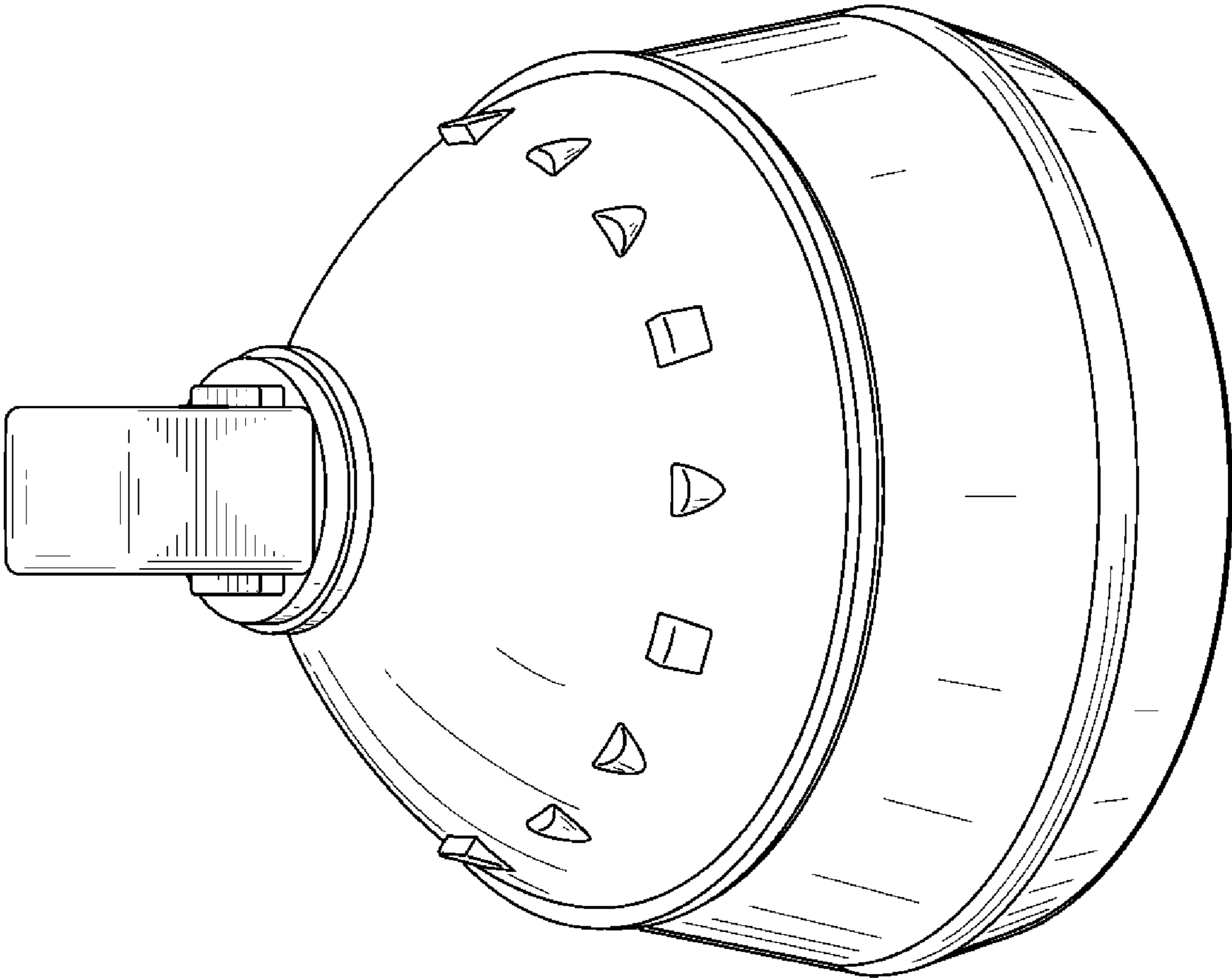
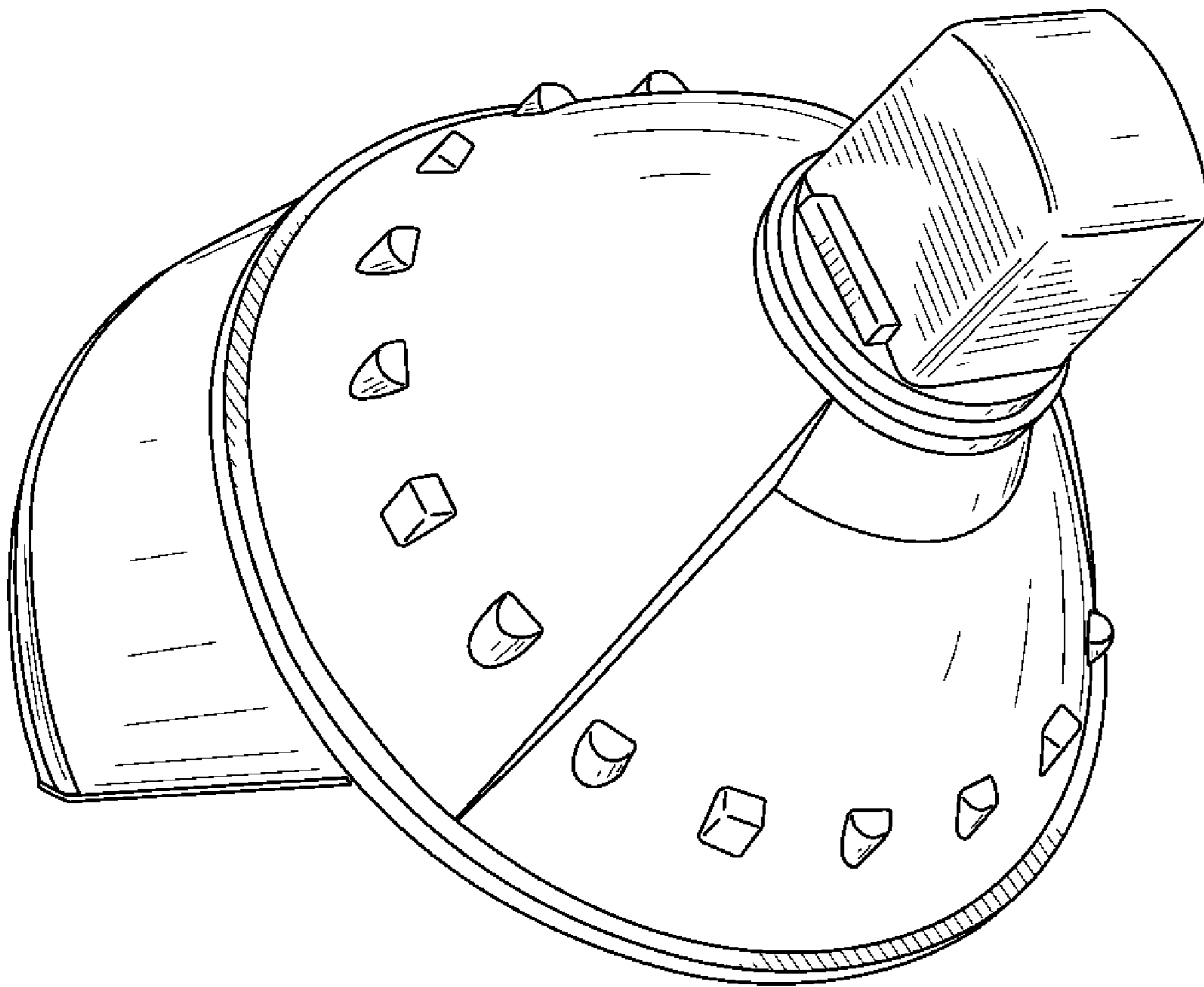


FIG. 2



**FIG. 3**

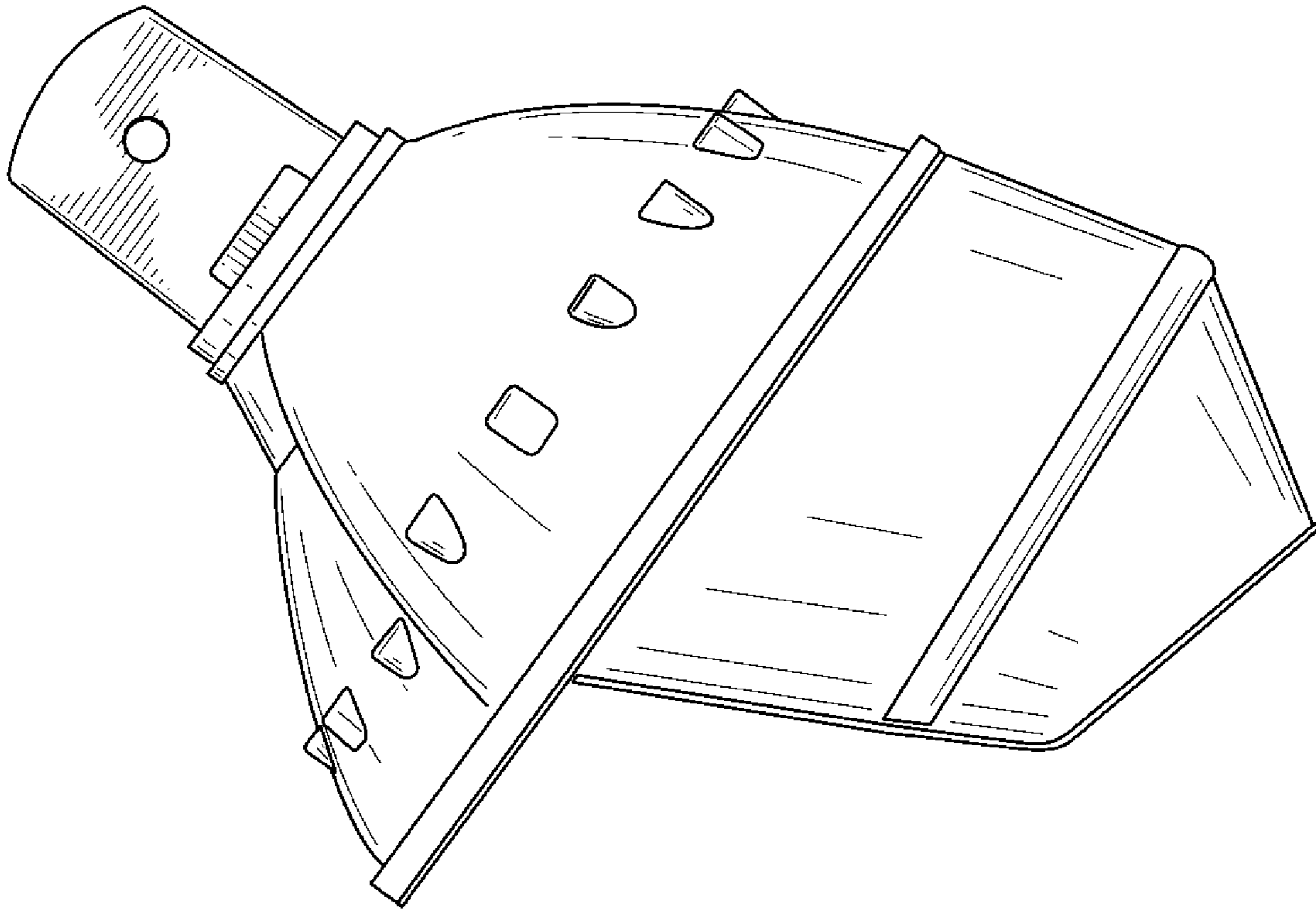
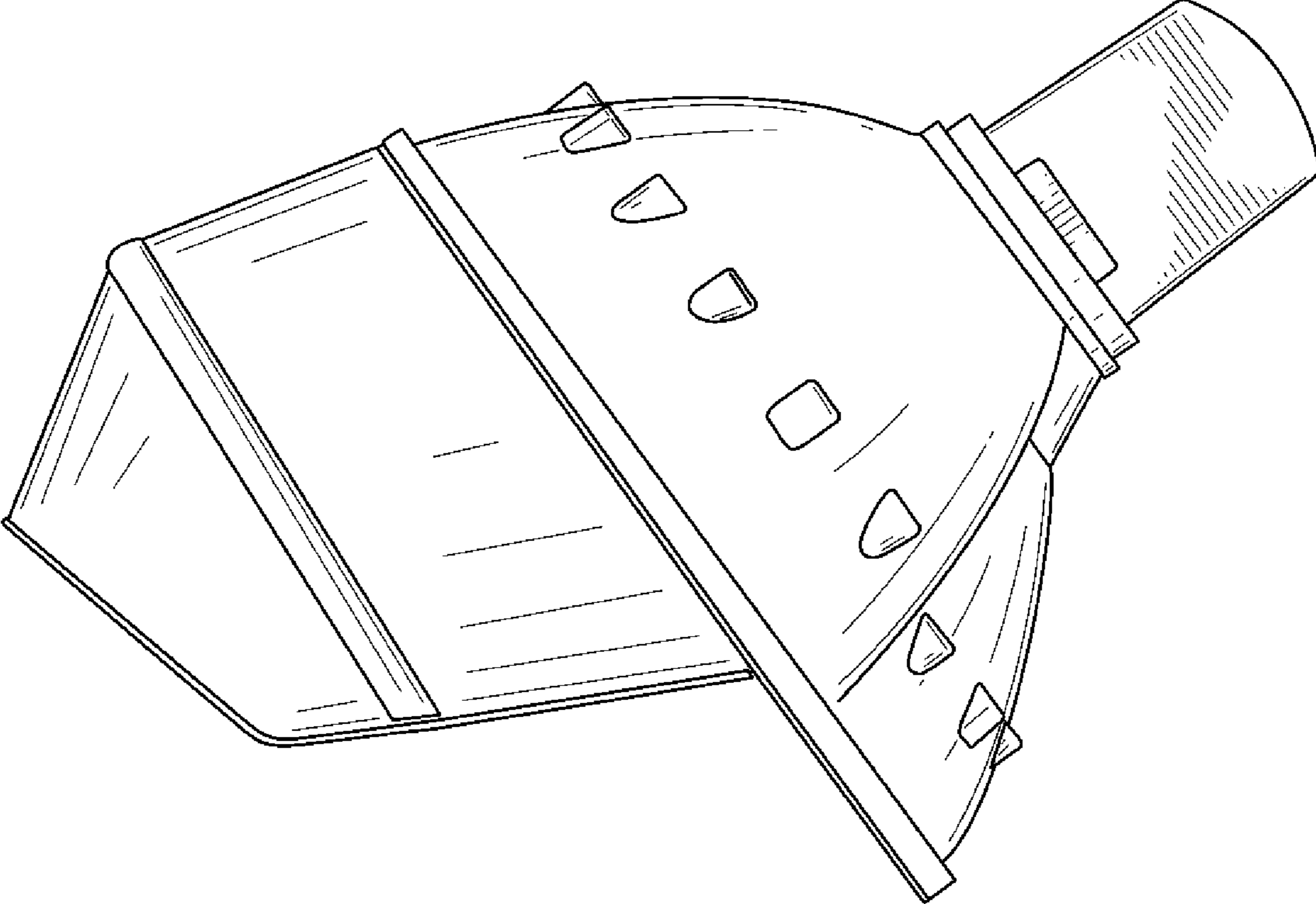
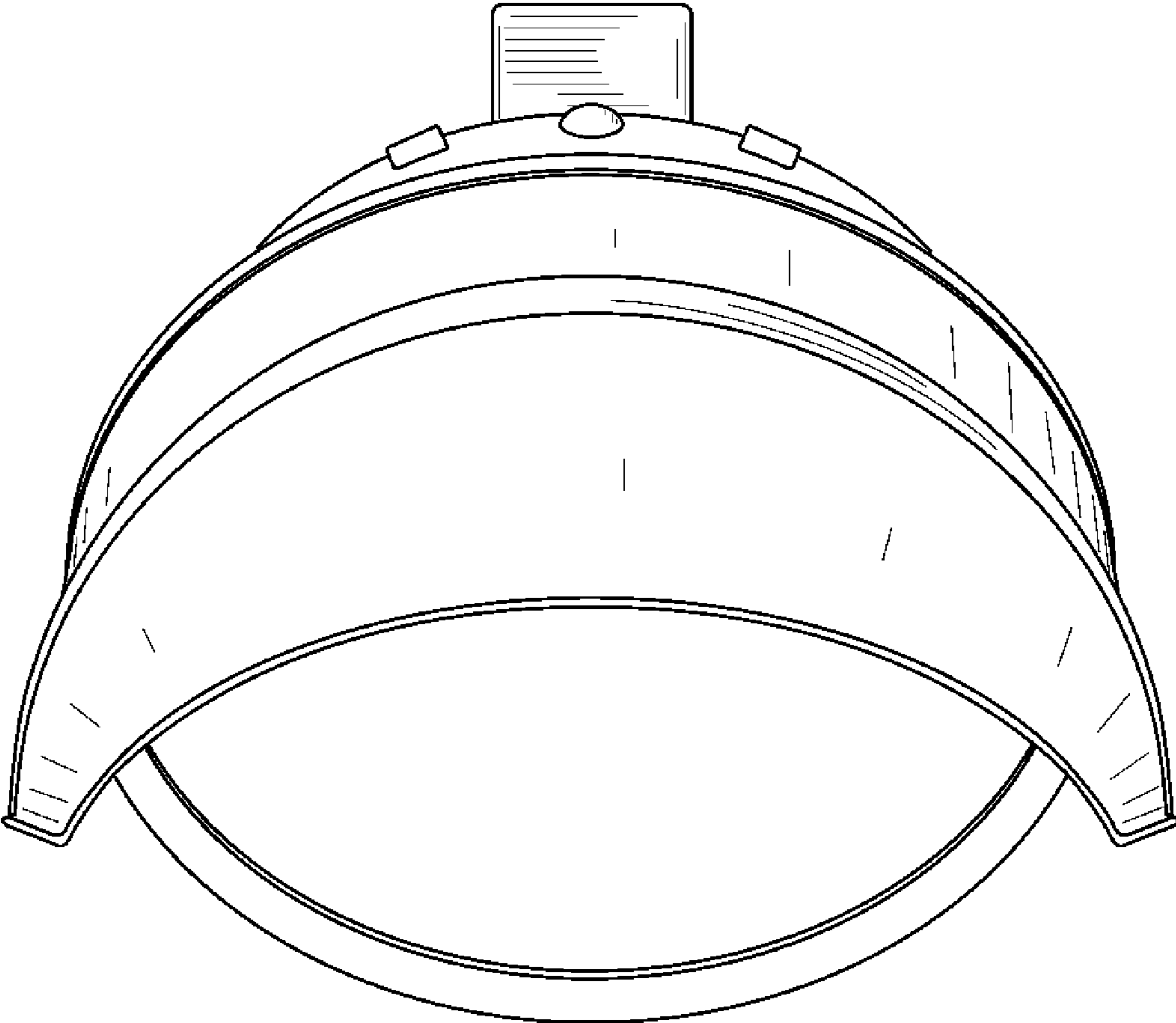


FIG. 4



**FIG. 5**



**FIG. 6**

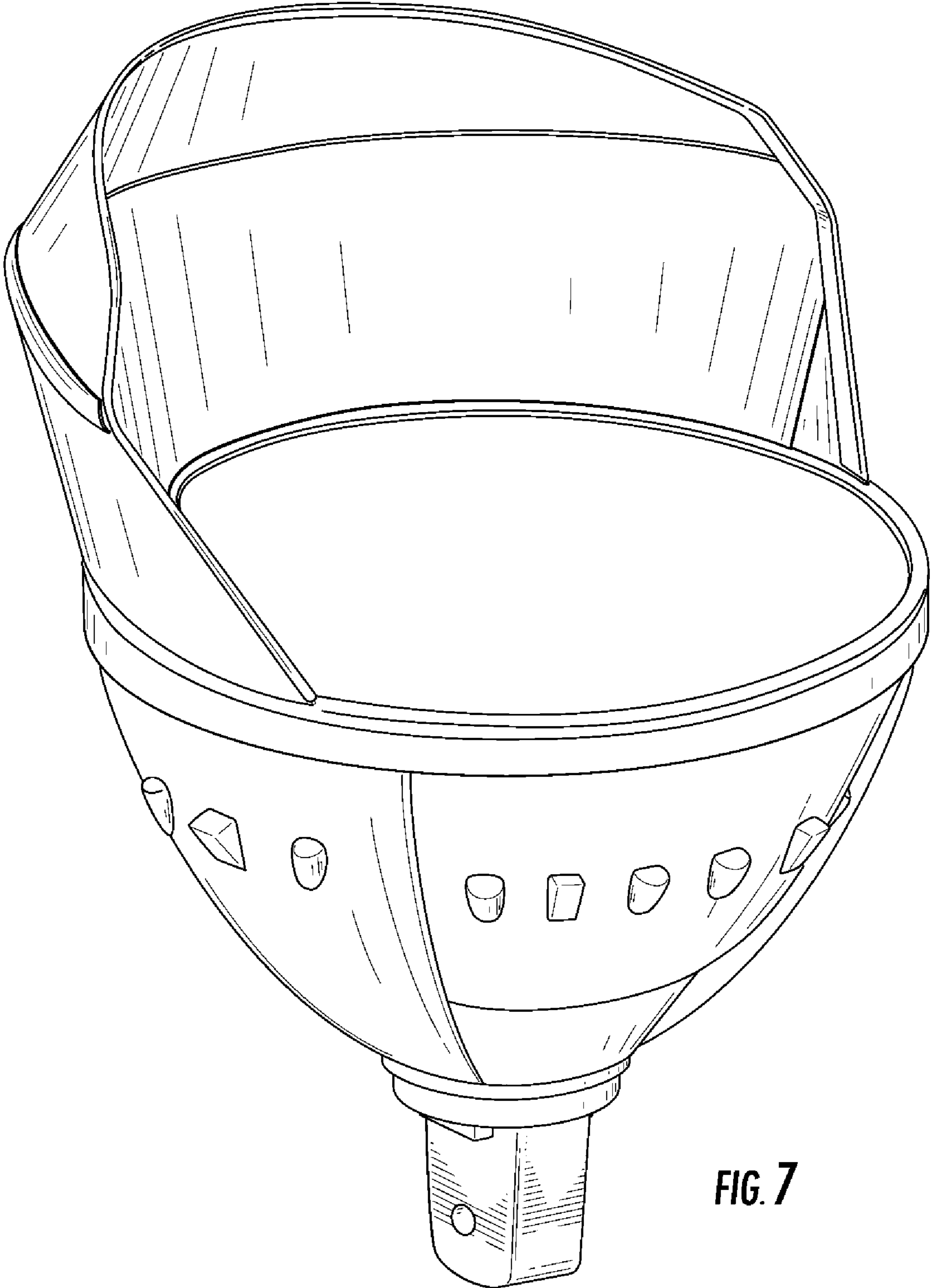


FIG. 7