



US00D571031S

(12) **United States Design Patent**
Perkins

(10) **Patent No.:** **US D571,031 S**

(45) **Date of Patent:** **** Jun. 10, 2008**

(54) **TOILET BOWL LIGHT**

(76) Inventor: **Patrick C. Perkins**, 157 Raphael Ct.,
Martinsburg, WV (US) 25401-3902

(**) Term: **14 Years**

(21) Appl. No.: **29/250,902**

(22) Filed: **Dec. 5, 2006**

(51) **LOC (8) Cl.** **26-05**

(52) **U.S. Cl.** **D26/60**

(58) **Field of Classification Search** D26/24,
D26/37, 38, 50, 51, 60, 72; D23/303; 362/101,
362/396, 191, 98, 99, 253, 303, 661, 155;
4/661

See application file for complete search history.

(56) **References Cited**

U.S. PATENT DOCUMENTS

D204,794 S *	5/1966	James	D26/60
D238,461 S *	1/1976	Bauman	D6/521
5,003,648 A	4/1991	Anderson		
5,136,476 A	8/1992	Horn		
5,150,962 A	9/1992	Rauschenberger		
5,276,595 A	1/1994	Patrie		
D349,173 S *	7/1994	Fellinger	D26/85

5,513,397 A *	5/1996	Terry	4/661
D382,360 S *	8/1997	Bixby	D26/60
5,664,867 A	9/1997	Martin et al.		
D413,000 S *	8/1999	Littman	D26/85
D487,781 S *	3/2004	Hunt	D20/42
D493,241 S *	7/2004	Stuart	D26/60

* cited by examiner

Primary Examiner—Cathron Brooks

Assistant Examiner—Barbara Fox

(57) **CLAIM**

The ornamental design for a toilet bowl light, as shown and described.

DESCRIPTION

FIG. 1 is a front elevation view of a toilet bowl light showing my new design;

FIG. 2 is a rear elevation view;

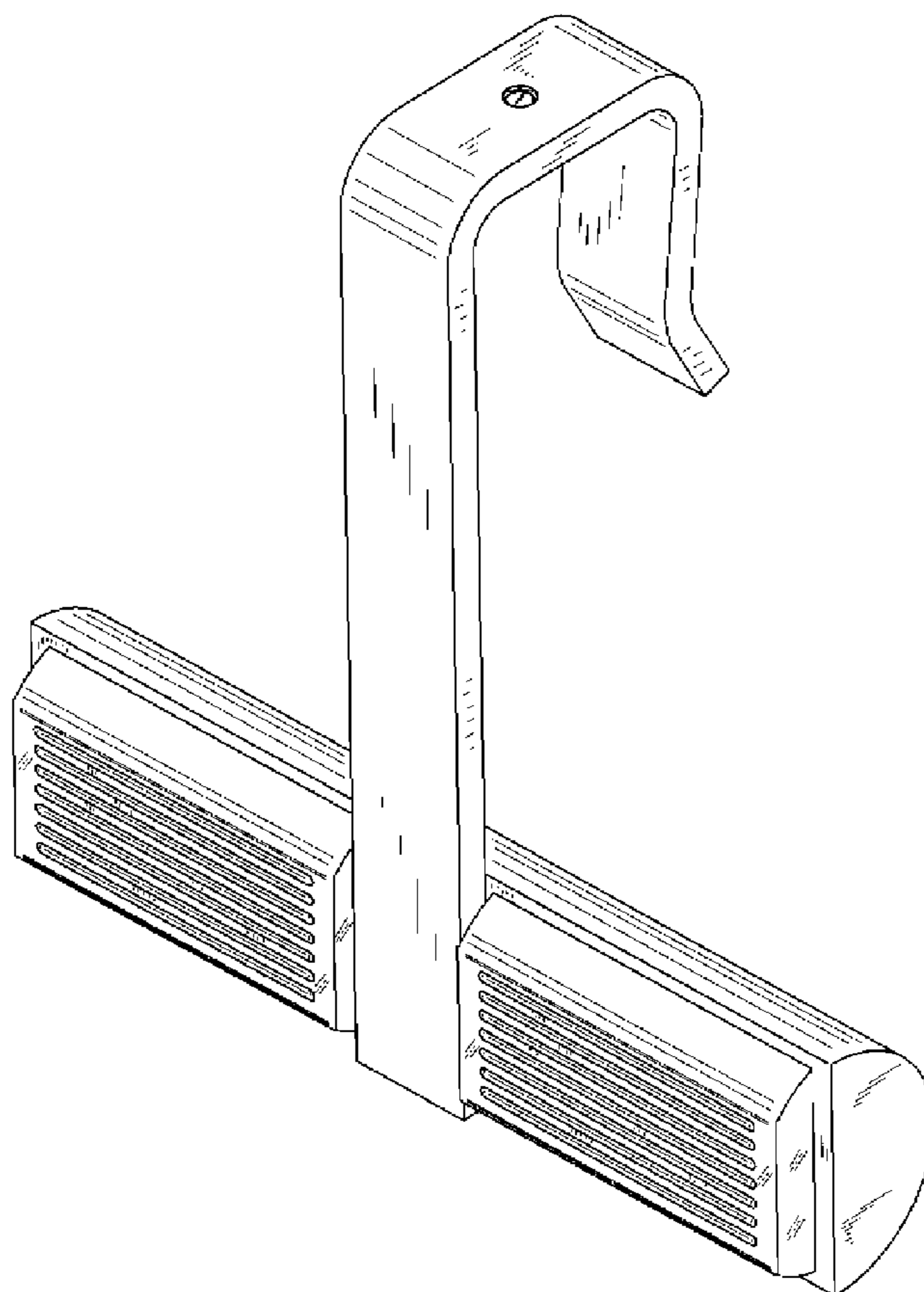
FIG. 3 is a right side elevation view;

FIG. 4 is a top plan view;

FIG. 5 is a bottom plan view; and,

FIG. 6 is a right side isometric view of a toilet bowl light showing my new design.

1 Claim, 3 Drawing Sheets



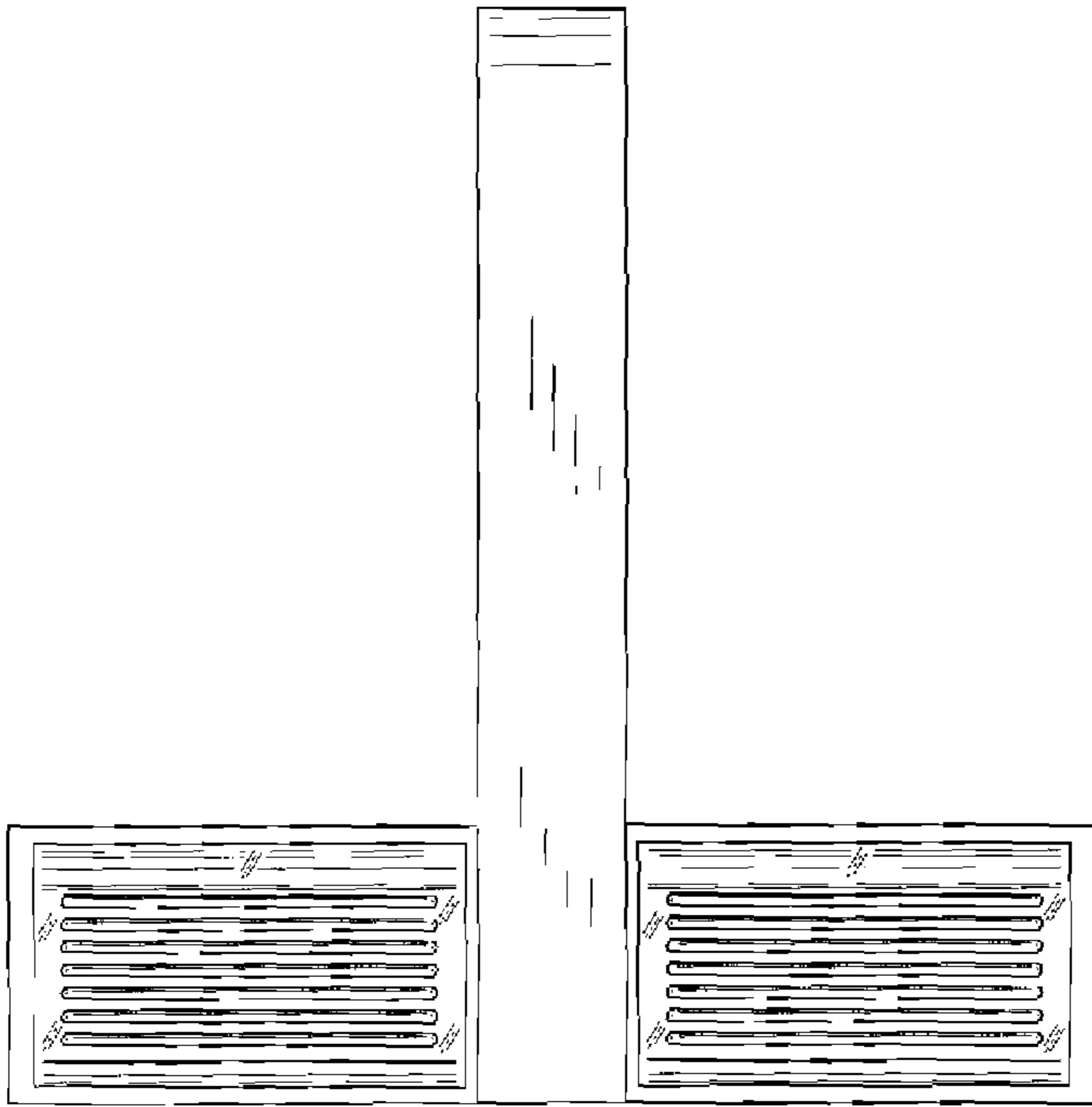


FIG. 1

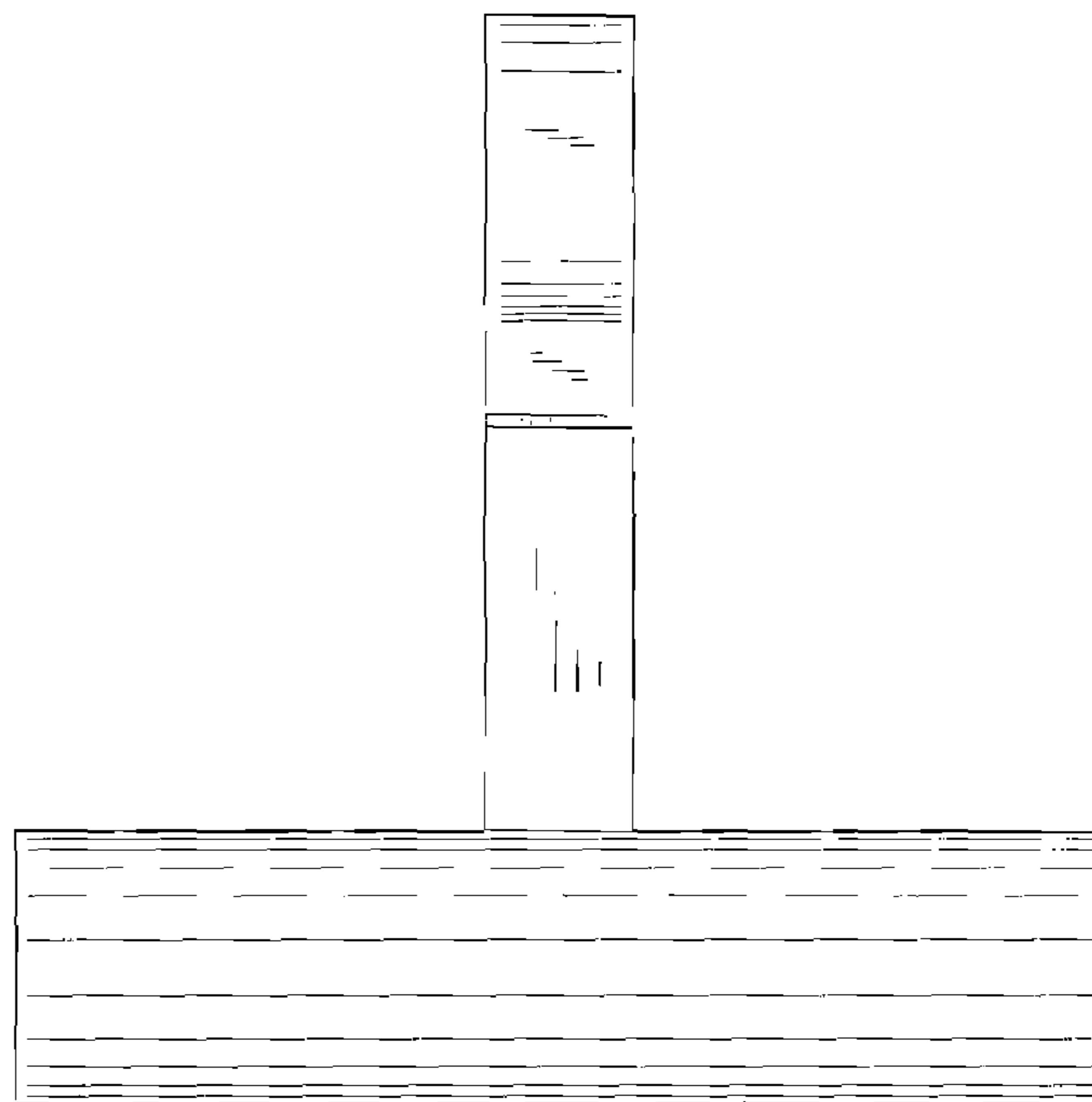


FIG. 2

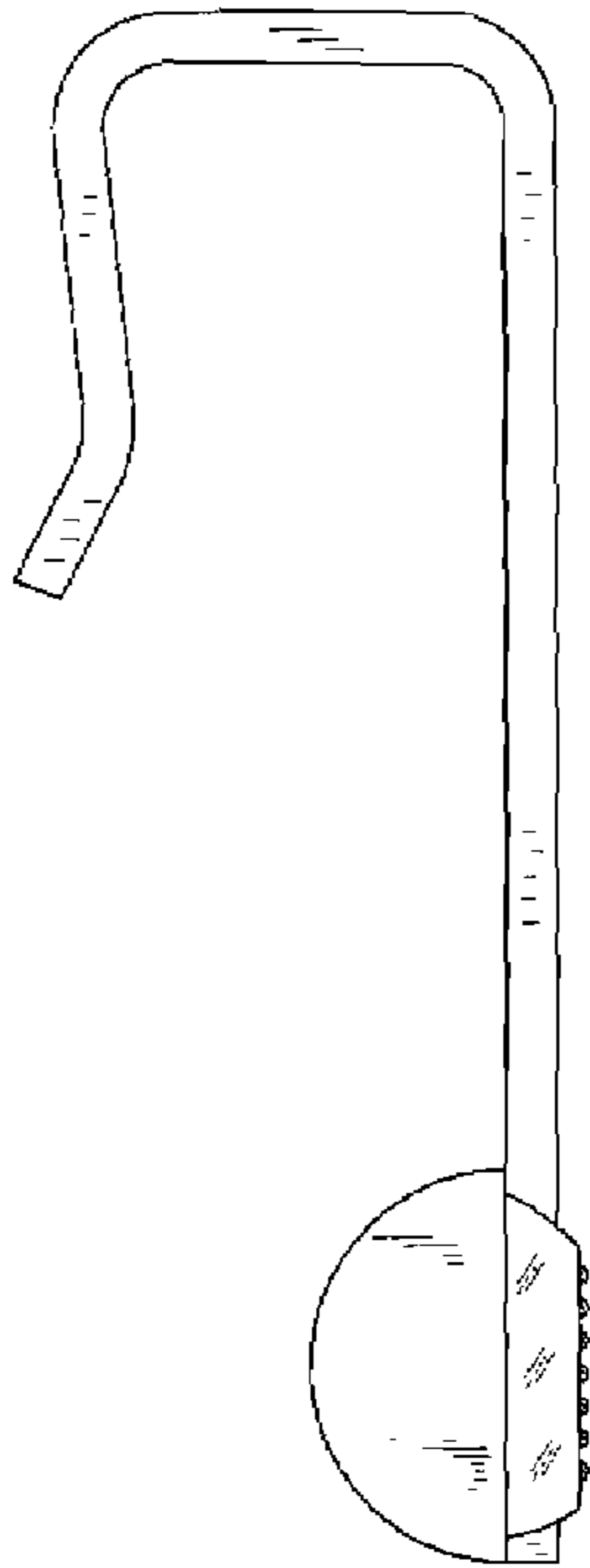


FIG. 3

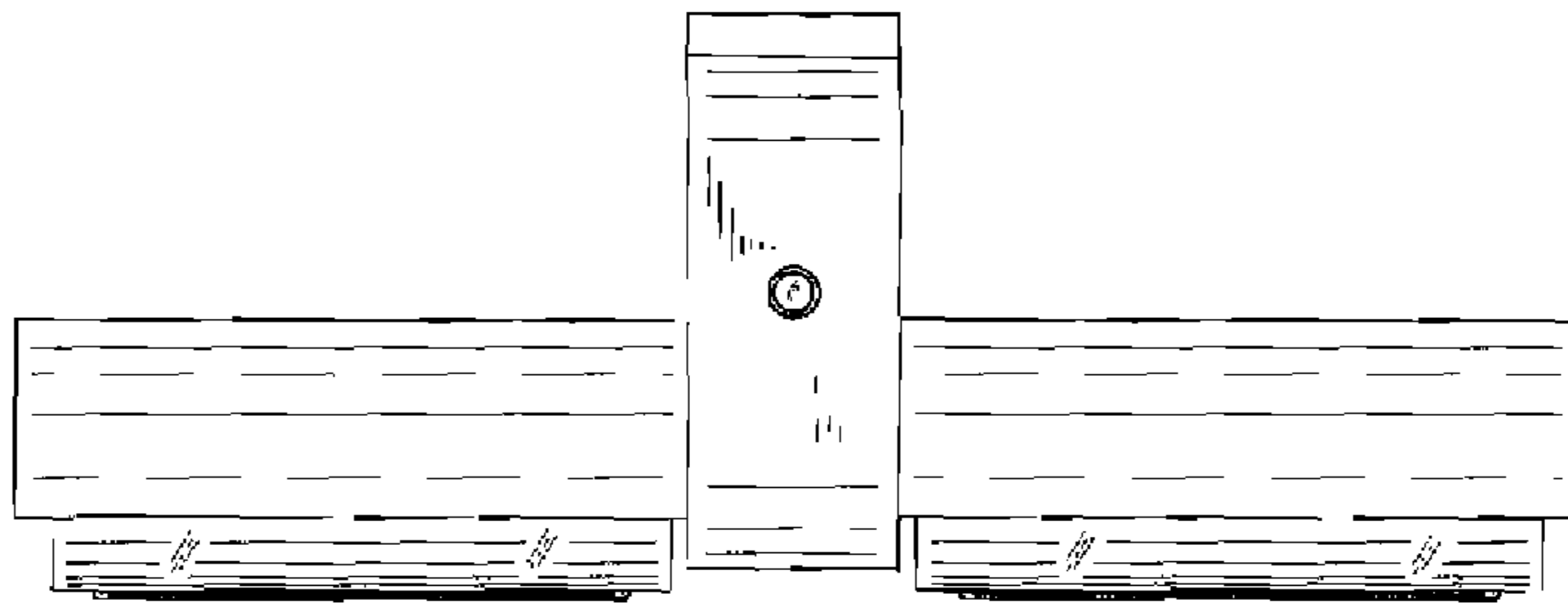


FIG. 4

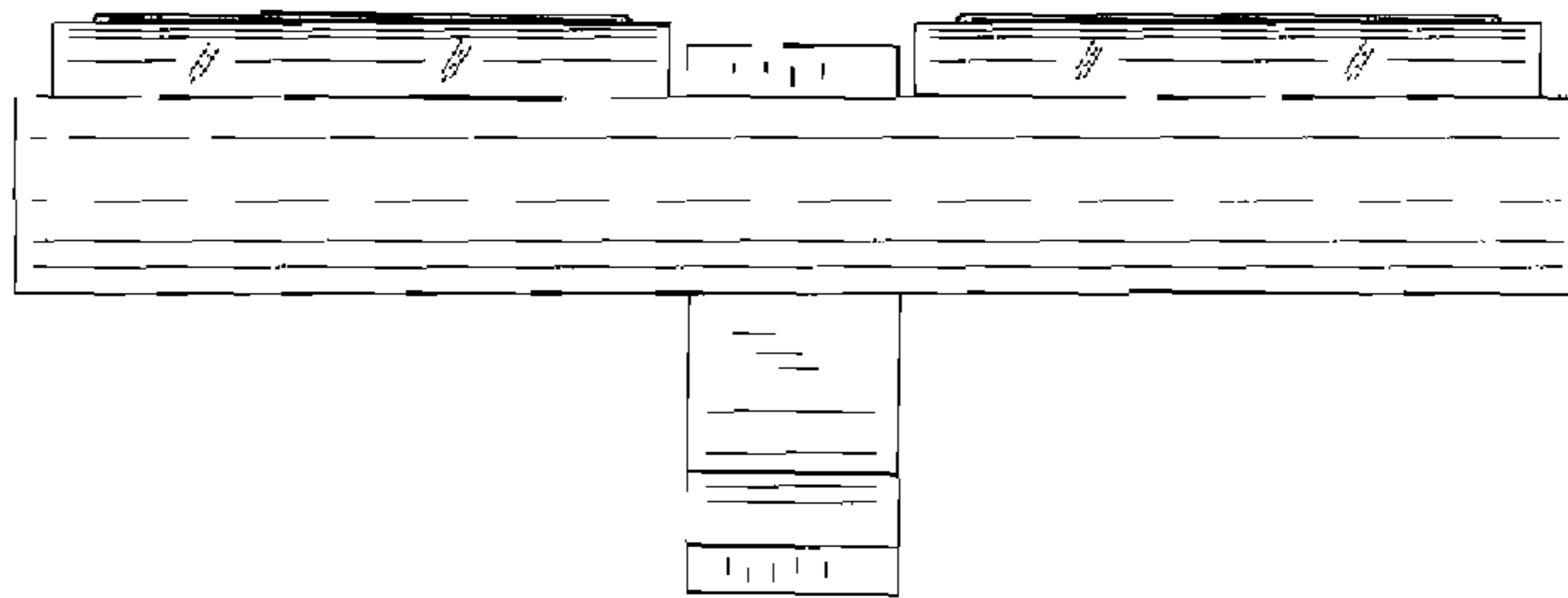


FIG. 5

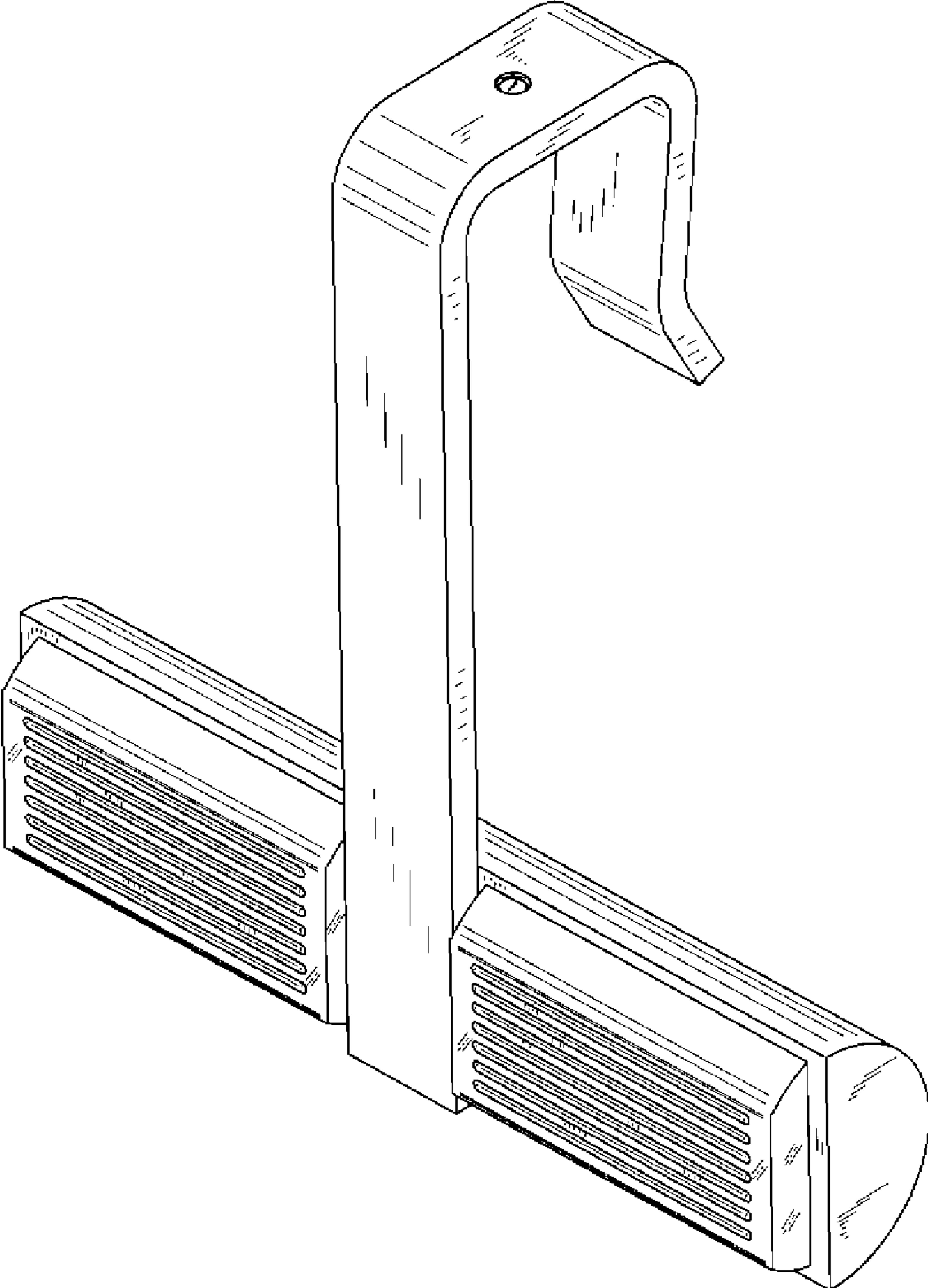


FIG. 6