



US00D571028S

(12) **United States Design Patent**  
**Maeda et al.**

(10) **Patent No.:** **US D571,028 S**  
(45) **Date of Patent:** **\*\* Jun. 10, 2008**

(54) **FRONT COMBINATION LAMP FOR AN  
AUTOMOBILE**

D552,768 S \* 10/2007 Leclercq ..... D26/28  
D552,770 S \* 10/2007 Davidson ..... D26/28  
D558,368 S \* 12/2007 Koyama ..... D26/28

(75) Inventors: **Kenichiro Maeda**, Toyota (JP);  
**Mitsunori Miyazaki**, Toyota (JP)

\* cited by examiner

(73) Assignee: **Toyota Jidosha Kabushiki Kaisha** (JP)

*Primary Examiner*—Marcus A. Jackson  
(74) *Attorney, Agent, or Firm*—SAIDMAN DesignLaw  
Group

(\*\*) Term: **14 Years**

(21) Appl. No.: **29/295,099**

(57) **CLAIM**

(22) Filed: **Sep. 21, 2007**

The ornamental design for a front combination lamp for an automobile, as shown and described.

(51) **LOC (8) Cl.** ..... **26-06**

(52) **U.S. Cl.** ..... **D26/28**

(58) **Field of Classification Search** ..... D26/28-36;  
362/459-468, 475-478, 485-487  
See application file for complete search history.

**DESCRIPTION**

FIG. 1 is a perspective view of a front combination lamp for an automobile showing our new design;

FIG. 2 is a front view thereof;

FIG. 3 is a top view thereof; and,

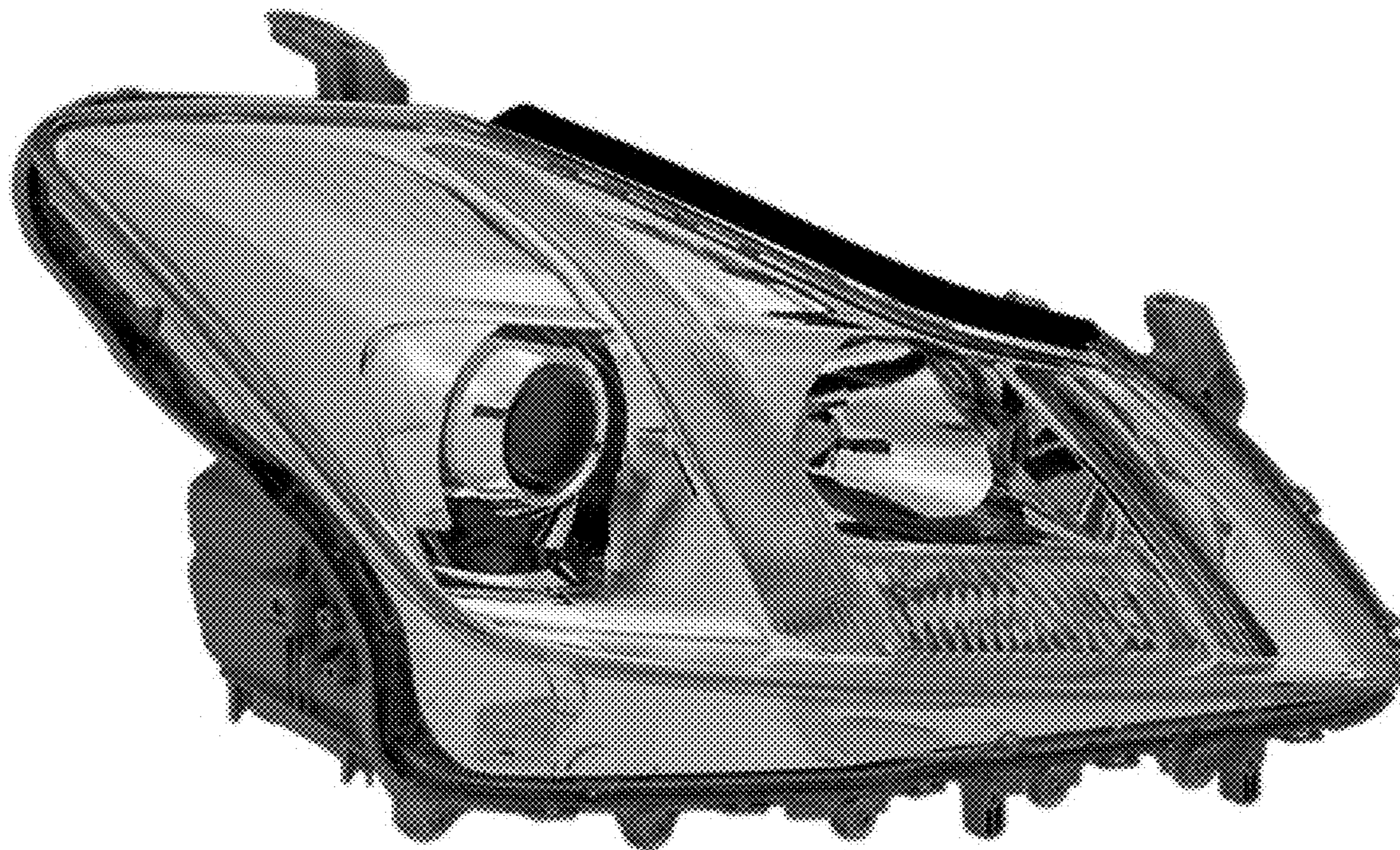
FIG. 4 is a left-side view thereof.

(56) **References Cited**

**U.S. PATENT DOCUMENTS**

D549,855 S \* 8/2007 Moisy et al. .... D26/28

**1 Claim, 2 Drawing Sheets**





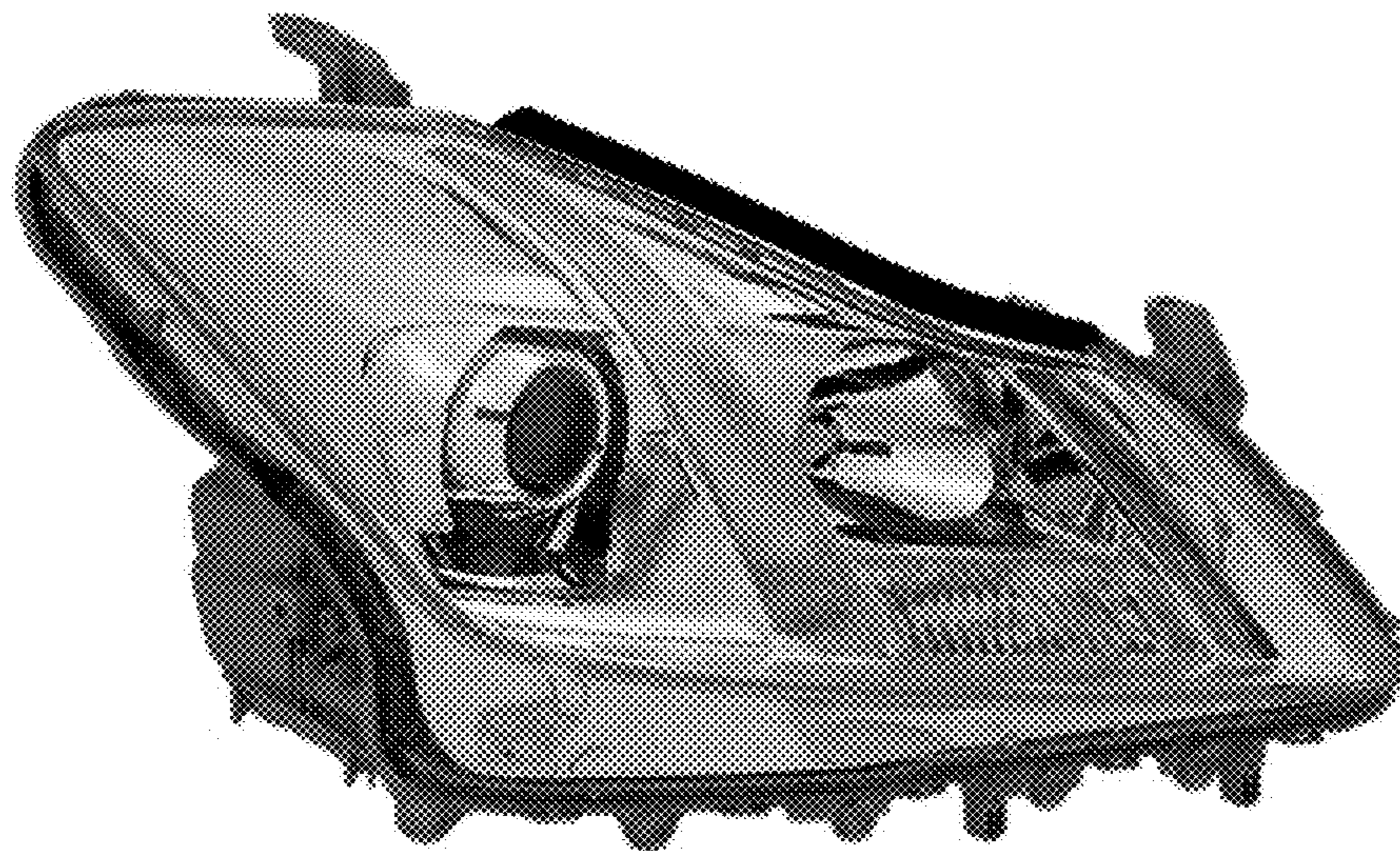


FIG. 1

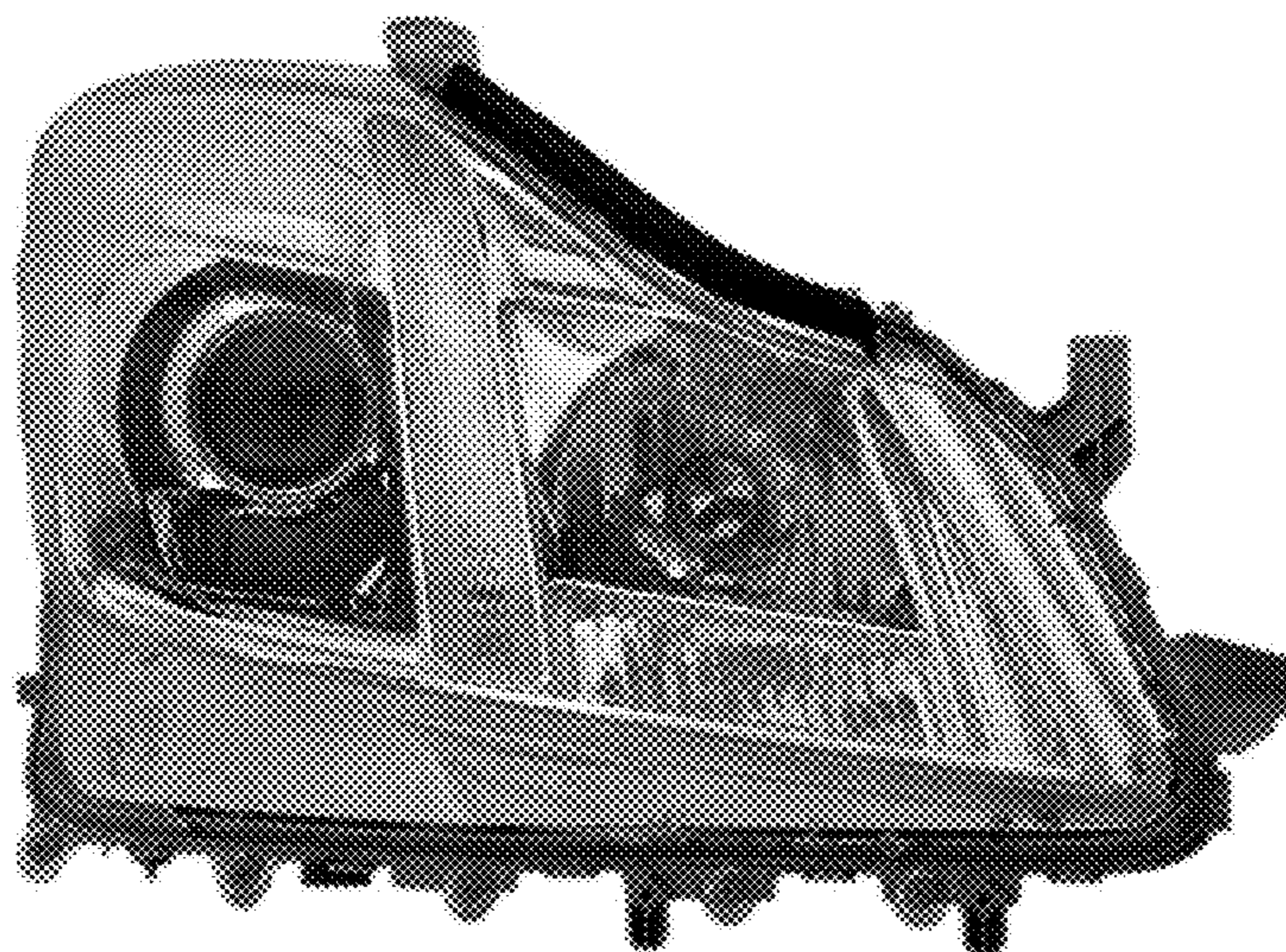


FIG. 2



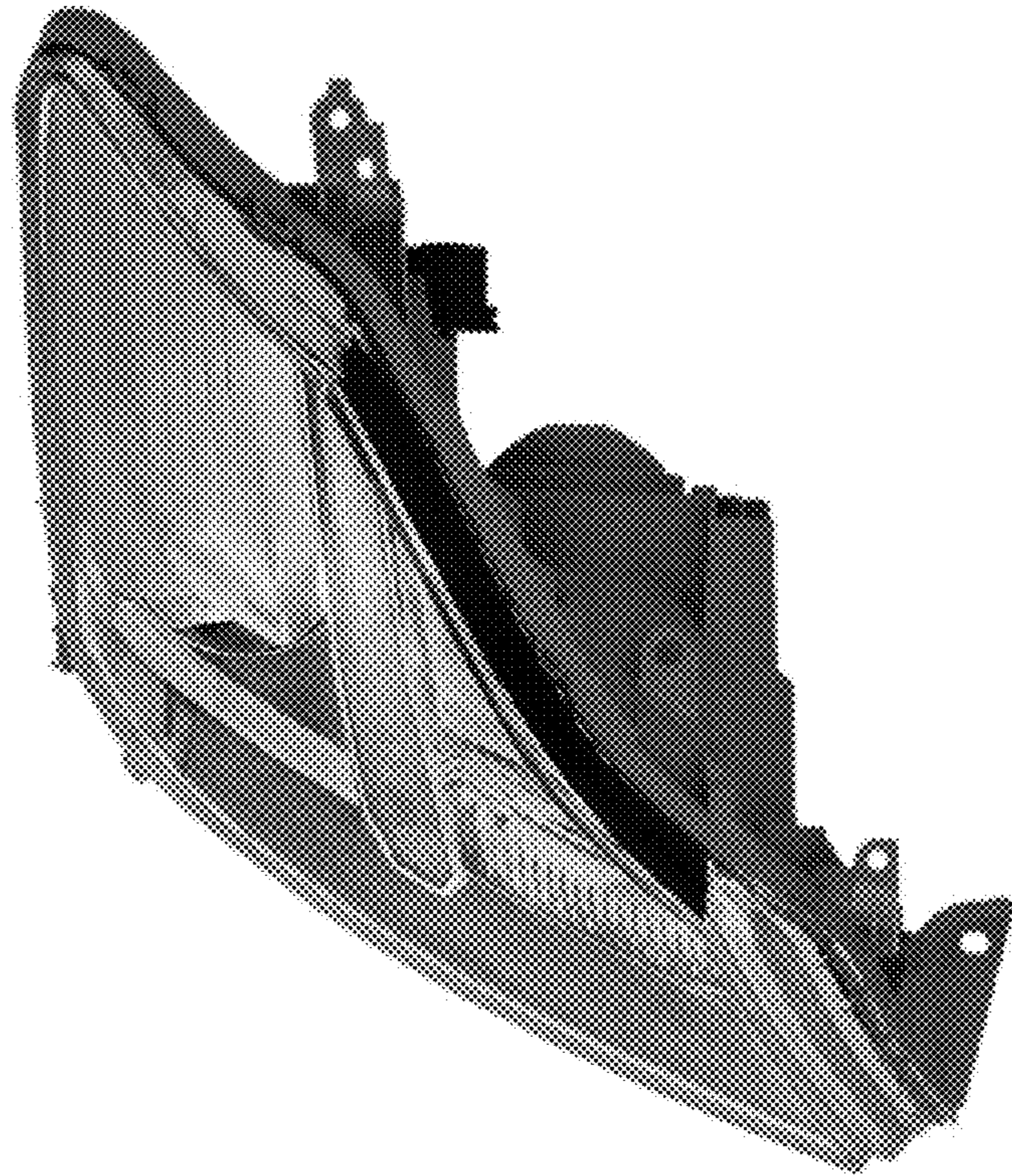


FIG. 3

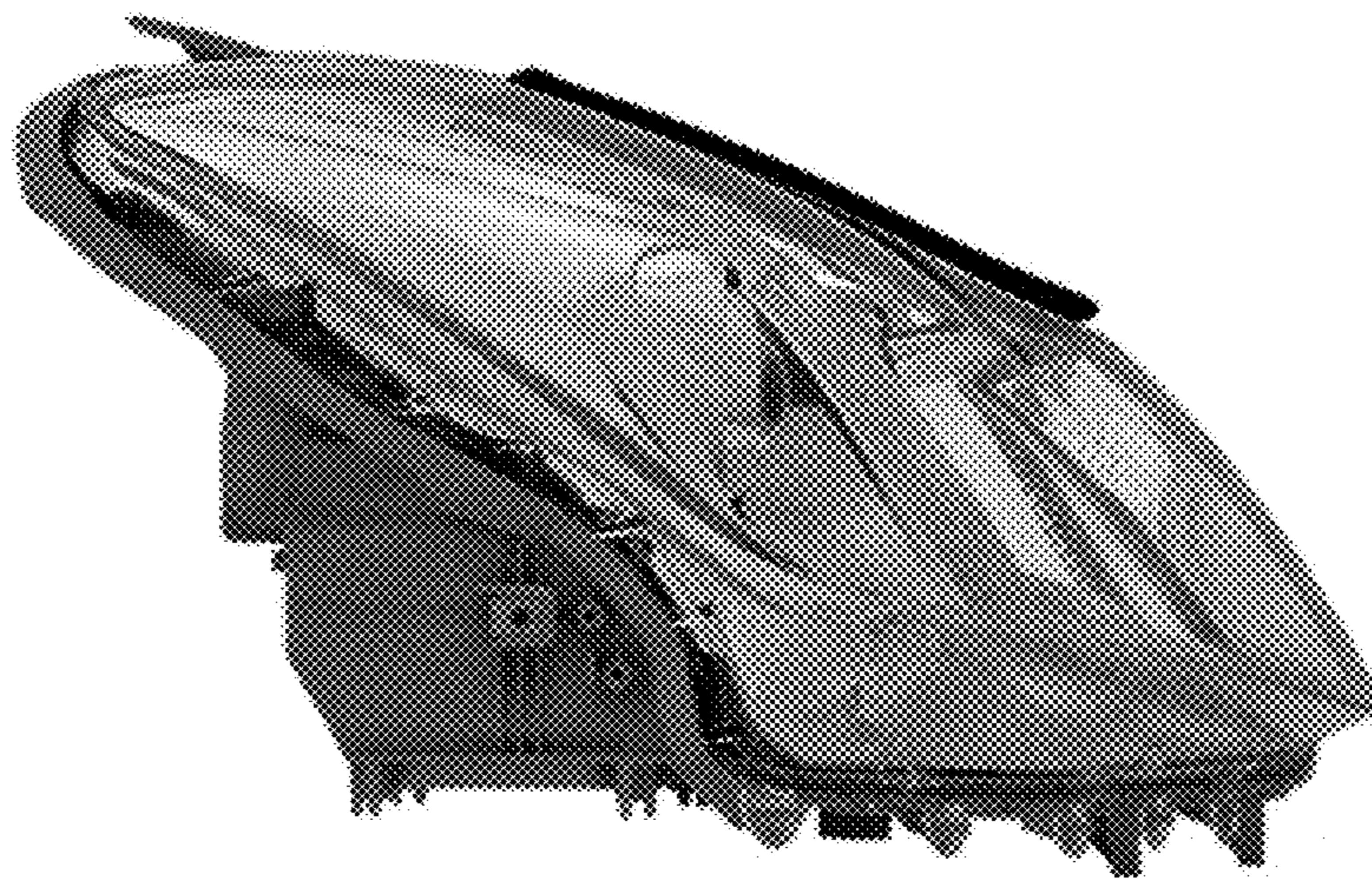


FIG. 4