



US00D571018S

(12) **United States Design Patent**
Ton et al.

(10) **Patent No.:** **US D571,018 S**
(45) **Date of Patent:** **** Jun. 10, 2008**

(54) **PEDICURE SPA**

(76) Inventors: **Quy That Ton**, 3131 Dalrymple Dr.,
Baton Rouge, LA (US) 70802; **Thanh**
Van Le, 4516 Brookridge Dr.,
Richardson, TX (US) 75082

(**) Term: **14 Years**

(21) Appl. No.: **29/249,139**

(22) Filed: **Sep. 22, 2006**

(51) **LOC (8) Cl.** **24-02**

(52) **U.S. Cl.** **D24/204**

(58) **Field of Classification Search** D24/200–205,
D24/212–213; D28/56, 61; D6/336, 495;
601/6, 15, 16, 64, 157–158, 30–32; 607/44;
4/622, 574.1

See application file for complete search history.

(56) **References Cited**

U.S. PATENT DOCUMENTS

D247,511 S *	3/1978	Lee et al.	D24/205
D303,162 S *	8/1989	Meyerovich et al.	D28/61
D346,043 S *	4/1994	Galati et al.	D28/61
D457,018 S *	5/2002	Park	D6/495
6,503,212 B2 *	1/2003	Park	601/158
D506,830 S *	6/2005	Zimmermann	D24/204

OTHER PUBLICATIONS

Poster, "Timeless Pedicure Spa," Beauty Mall, Ltd., published Apr., 2005.

Owner's Manual, "Timeless PediSpa," Beauty Mall, Ltd., published Oct., 2004.

* cited by examiner

Primary Examiner—Ian Simmons

Assistant Examiner—Melanie Levy

(74) *Attorney, Agent, or Firm*—Thomas, Kayden,
Horstemeyer & Risley, LLP

(57) **CLAIM**

The ornamental design of the pedicure spa, as shown and described.

DESCRIPTION

FIG. 1 is a perspective view showing the front, right, and upper side of my new pedicure spa, the broken lines shown of a portion of a basin are for illustrative purposes only and form no part of the claimed design;

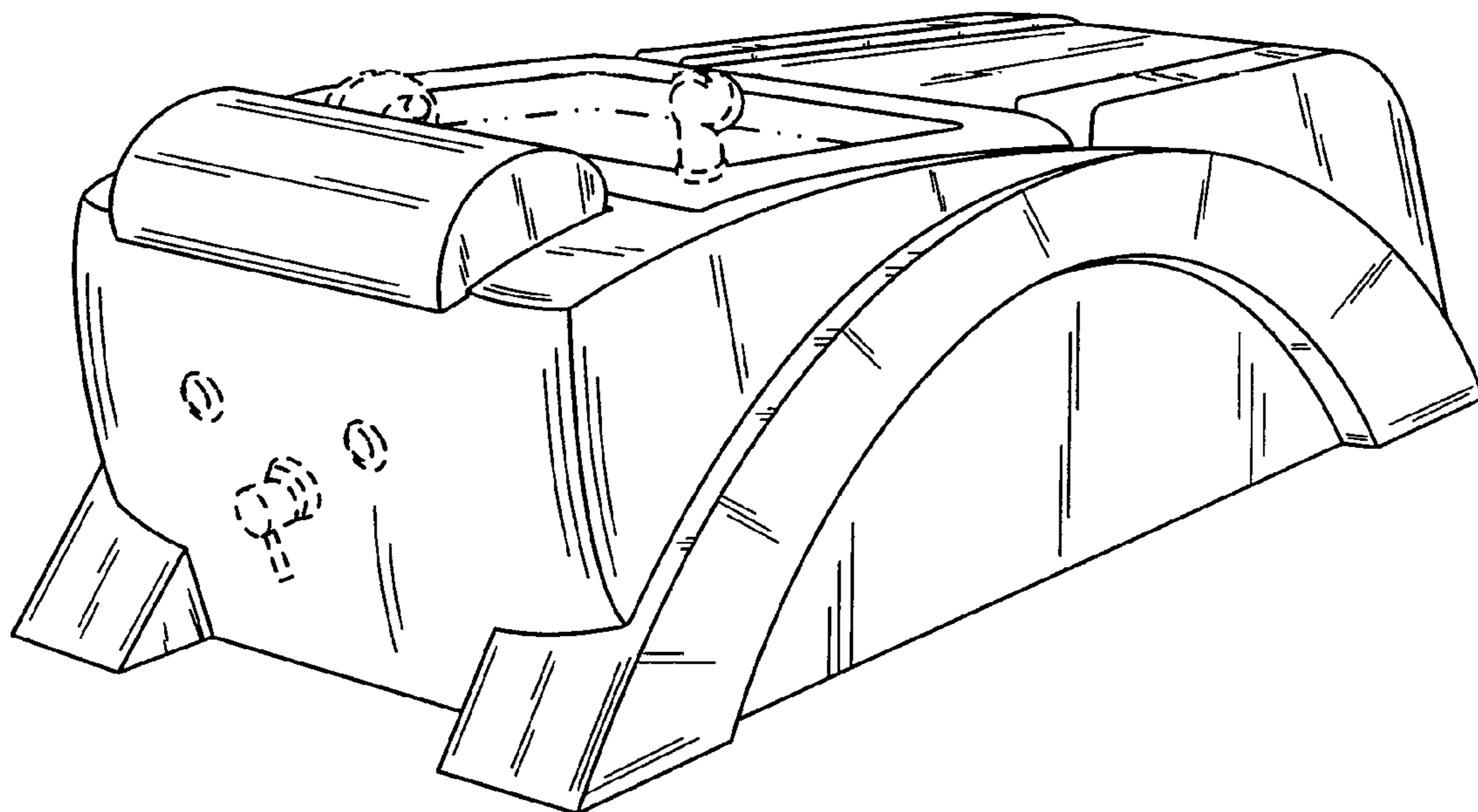
FIG. 2 is a right side view of the pedicure spa shown in FIG. 1, the broken lines shown of a portion of a basin are for illustrative purposes only and form no part of the claimed design;

FIG. 3 is a front view of the pedicure spa shown in FIG. 1, the broken lines shown of a portion of a basin are for illustrative purposes only and form no part of the claimed design;

FIG. 4 is a top view of the pedicure spa shown in FIG. 1, the broken lines shown of a portion of a basin are for illustrative purposes only and form no part of the claimed design; and,

FIG. 5 is a rear view of the pedicure spa shown in FIG. 1, the broken lines shown of a portion of a basin are for illustrative purposes only and form no part of the claimed design.

1 Claim, 3 Drawing Sheets



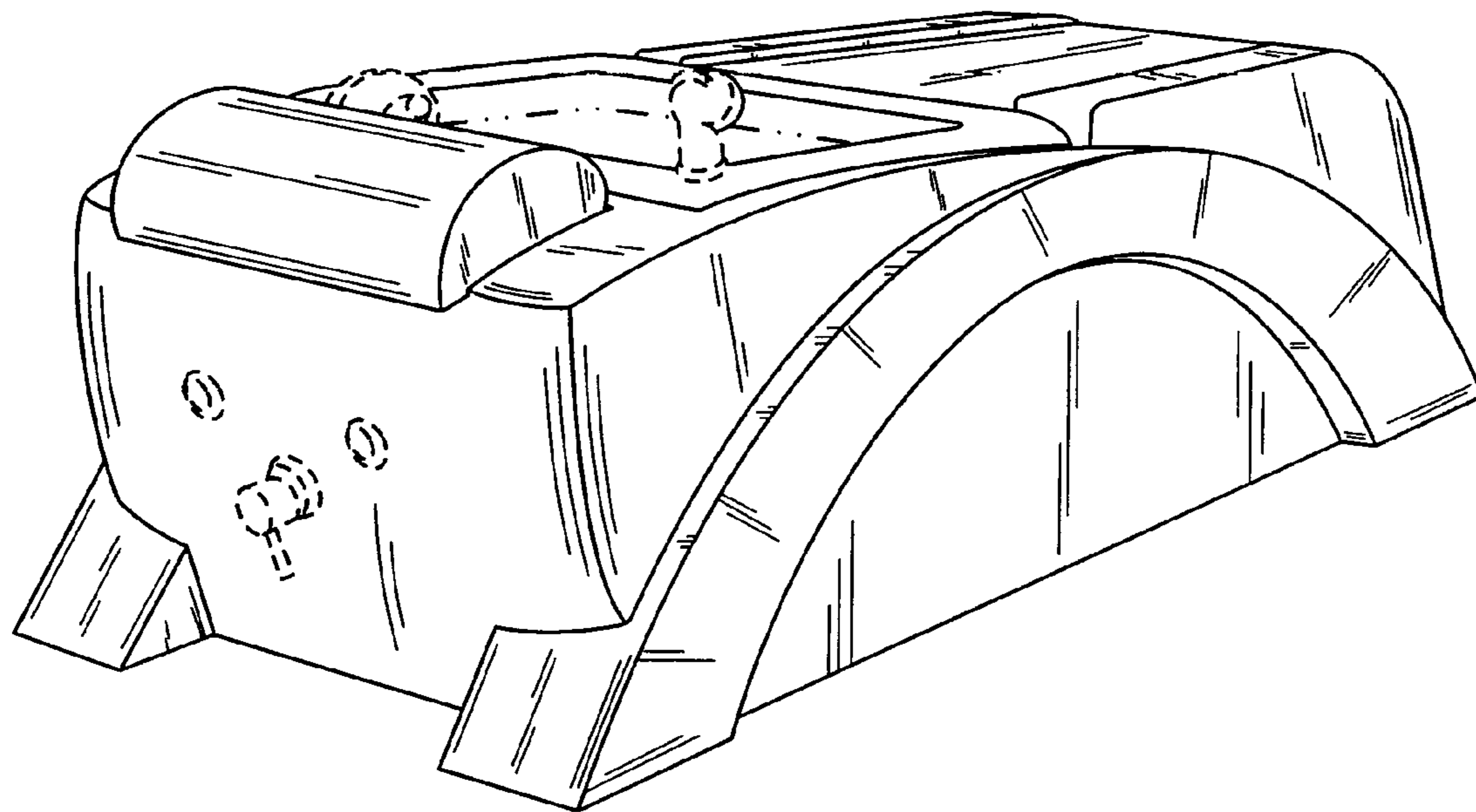


Fig. 1

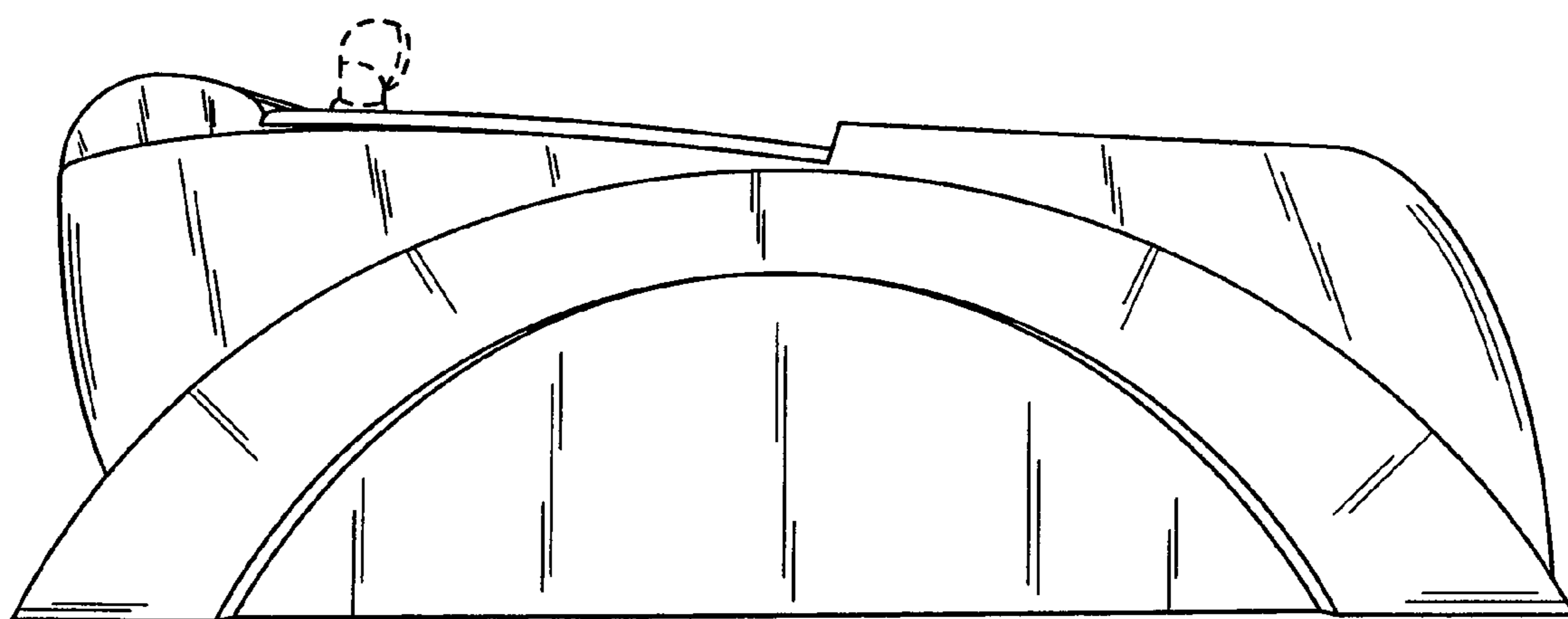


Fig. 2

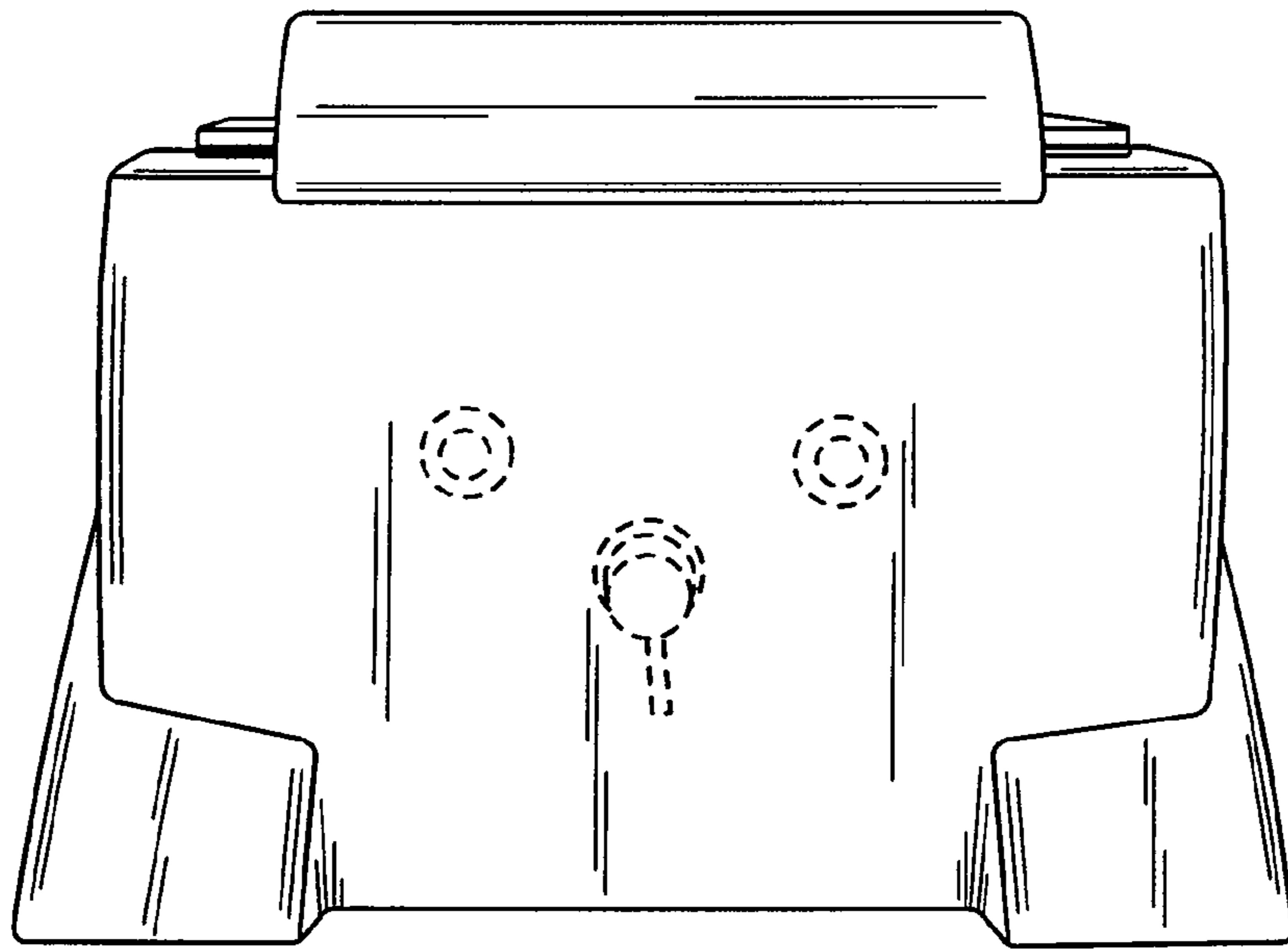


Fig. 3

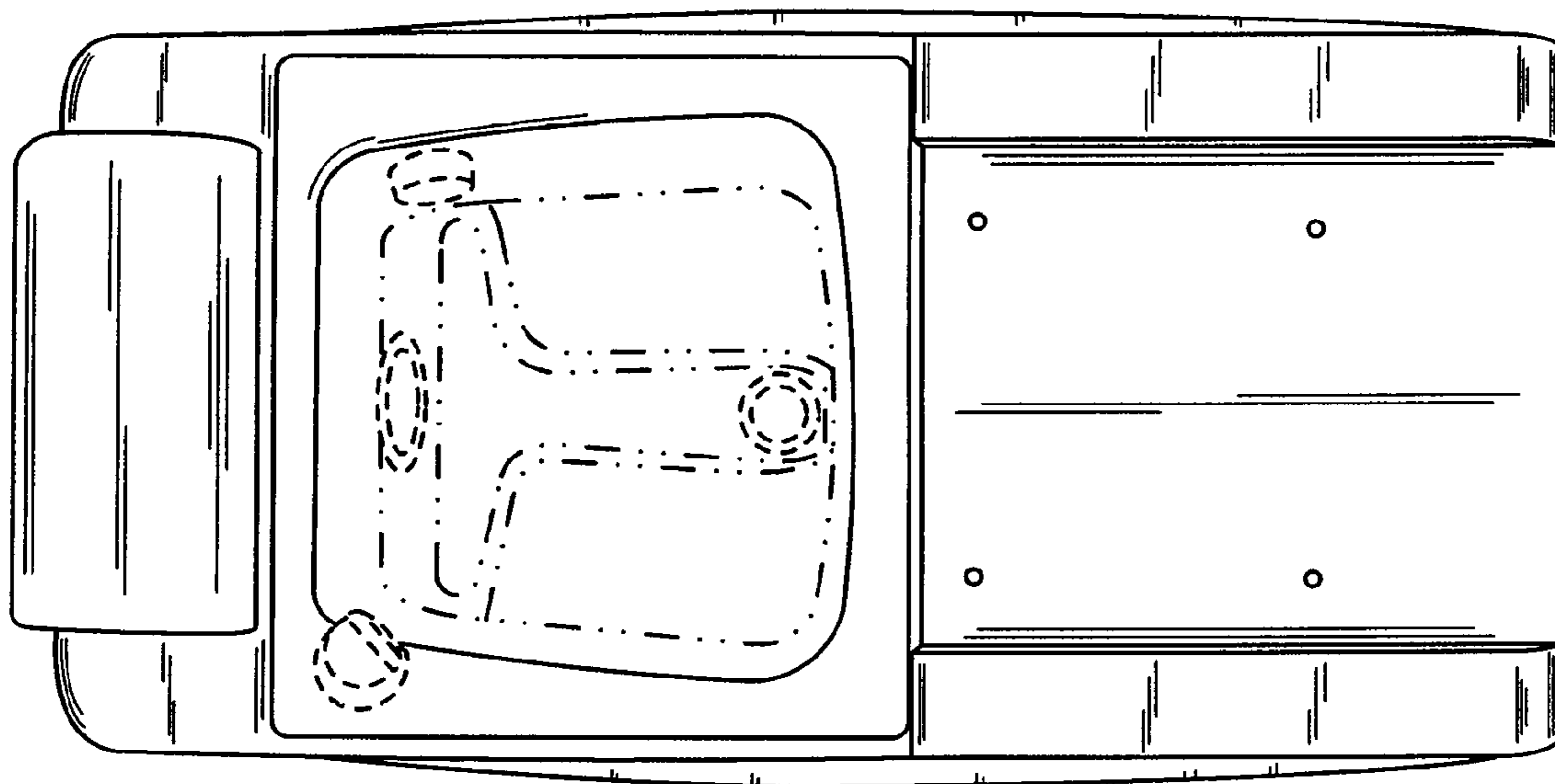


Fig. 4

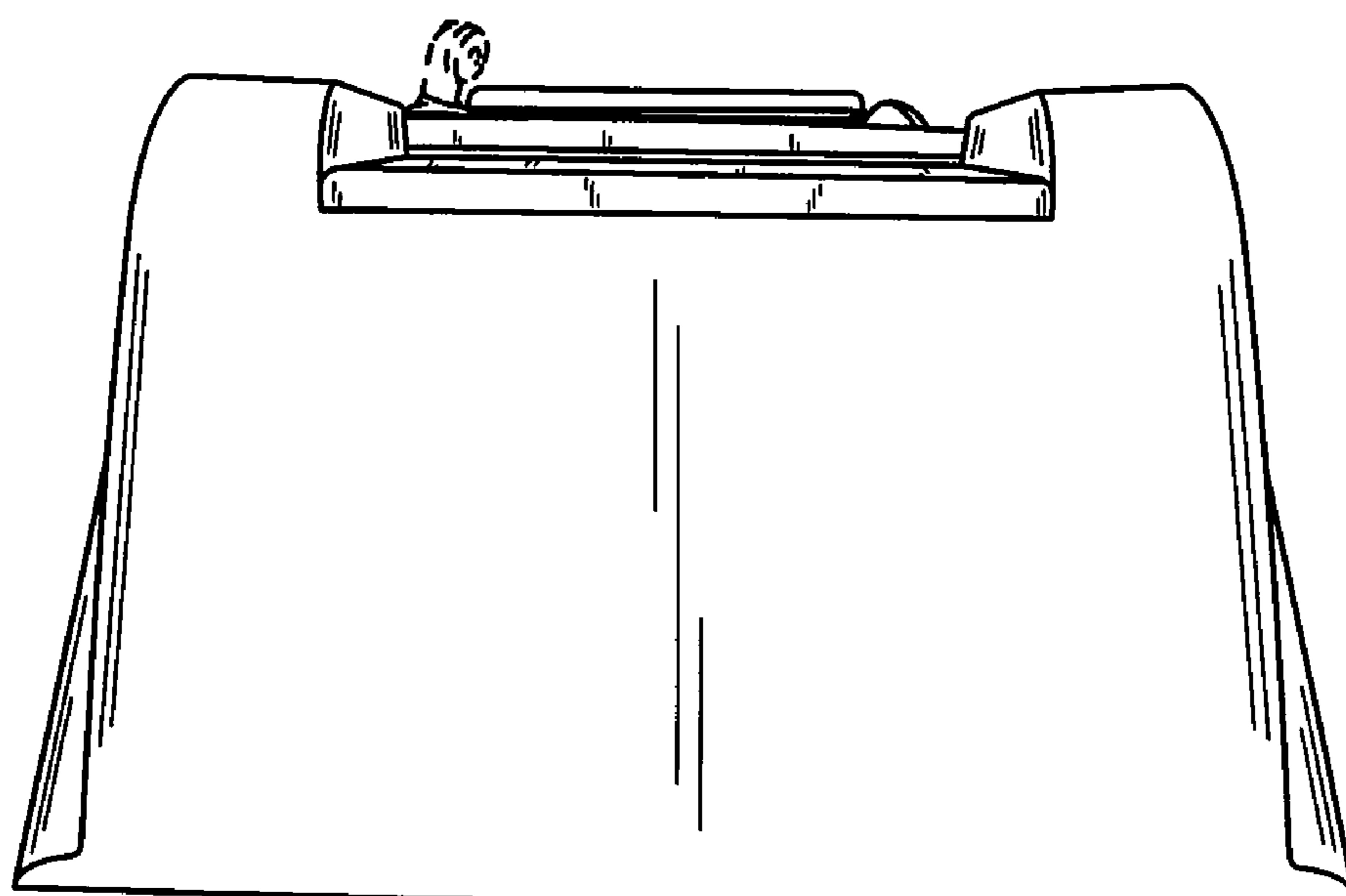


Fig. 5