



US00D571017S

(12) **United States Design Patent**
Rohrig

(10) **Patent No.:** **US D571,017 S**

(45) **Date of Patent:** **** Jun. 10, 2008**

(54) **PACIFIER**

(75) Inventor: **Peter Rohrig**, Vienna (AT)

(73) Assignee: **MAM Babyartikel Gesellschaft mbH**,
Vienna (AT)

(**) Term: **14 Years**

(21) Appl. No.: **29/271,276**

(22) Filed: **Jan. 12, 2007**

(30) **Foreign Application Priority Data**

Jul. 13, 2006 (AU) A1193/2006

(51) **LOC (8) Cl.** **24-04**

(52) **U.S. Cl.** **D24/194; D24/196**

(58) **Field of Classification Search** D24/93-199;
606/234-236.2; 24/301; 215/11.1-11.6,
215/387, 392; 248/102-107; 128/359-360
See application file for complete search history.

(56) **References Cited**

U.S. PATENT DOCUMENTS

3,924,621 A * 12/1975 Cassimally 606/236
4,545,378 A * 10/1985 Chrones 606/236
6,203,566 B1 * 3/2001 Alanen et al. 606/234
6,454,788 B1 * 9/2002 Ashton 606/234

7,029,491 B2 * 4/2006 Davis 606/234
2002/0055760 A1 * 5/2002 Avital 606/234
2004/0059382 A1 * 3/2004 Bergersen 606/234
2007/0027478 A1 * 2/2007 Tesini et al. 606/234

* cited by examiner

Primary Examiner—Robert M. Spear

Assistant Examiner—Susan E Krakower

(74) *Attorney, Agent, or Firm*—Ladas and Parry LLP

(57) **CLAIM**

I claim the ornamental design for a pacifier, as shown and described.

DESCRIPTION

FIG. 1 is a top perspective view of a pacifier showing my new design;

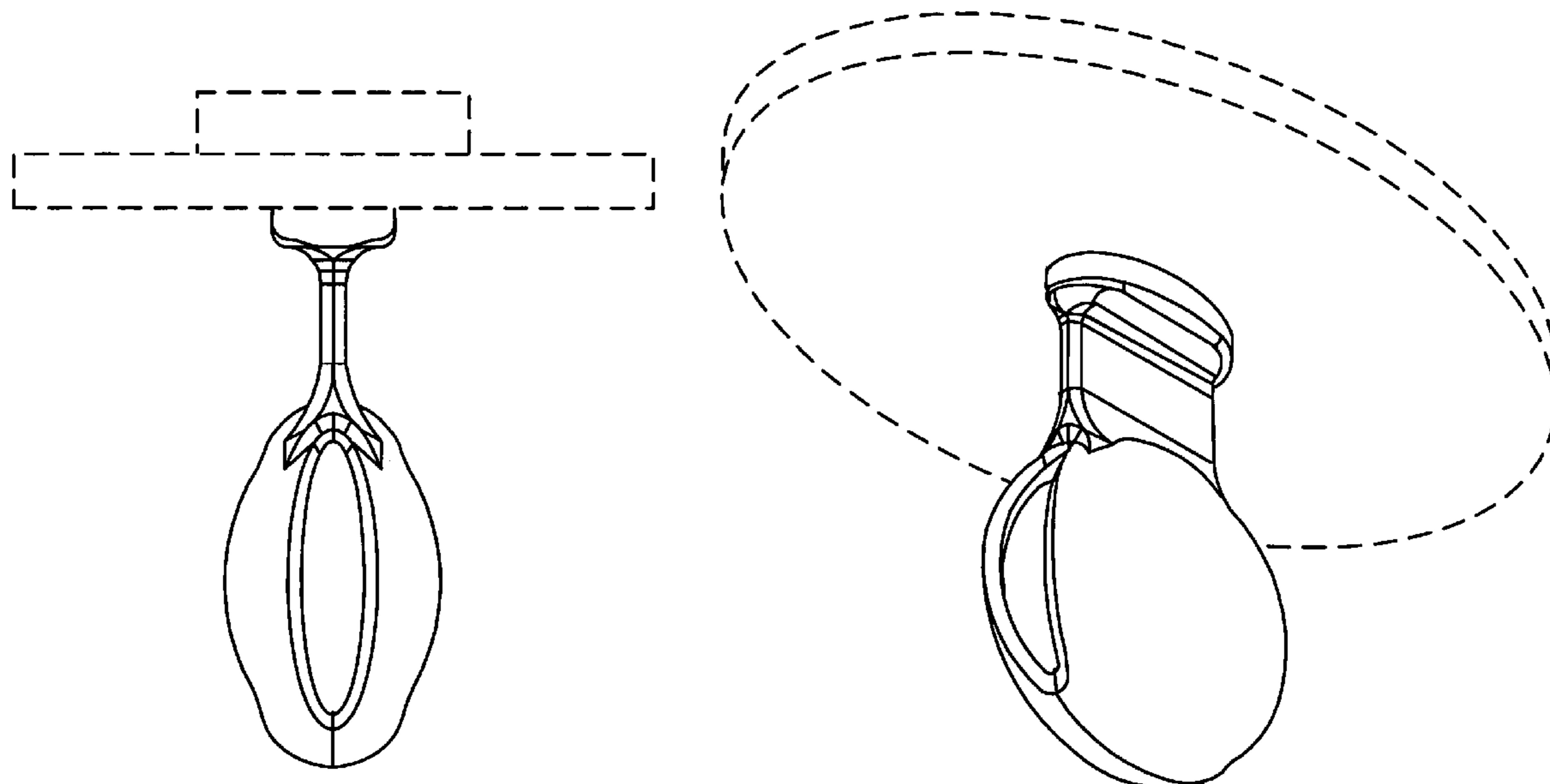
FIG. 2 is a front view thereof, the back view being identical; FIG. 3 is a left side view thereof, the right side view being identical;

FIG. 4 is a bottom perspective view thereof; and,

FIG. 5 is a bottom plan view thereof.

The broken line showing a stop guard or shield is included for the purpose of illustrating a portion of the article and forms no part of the claimed design.

1 Claim, 4 Drawing Sheets



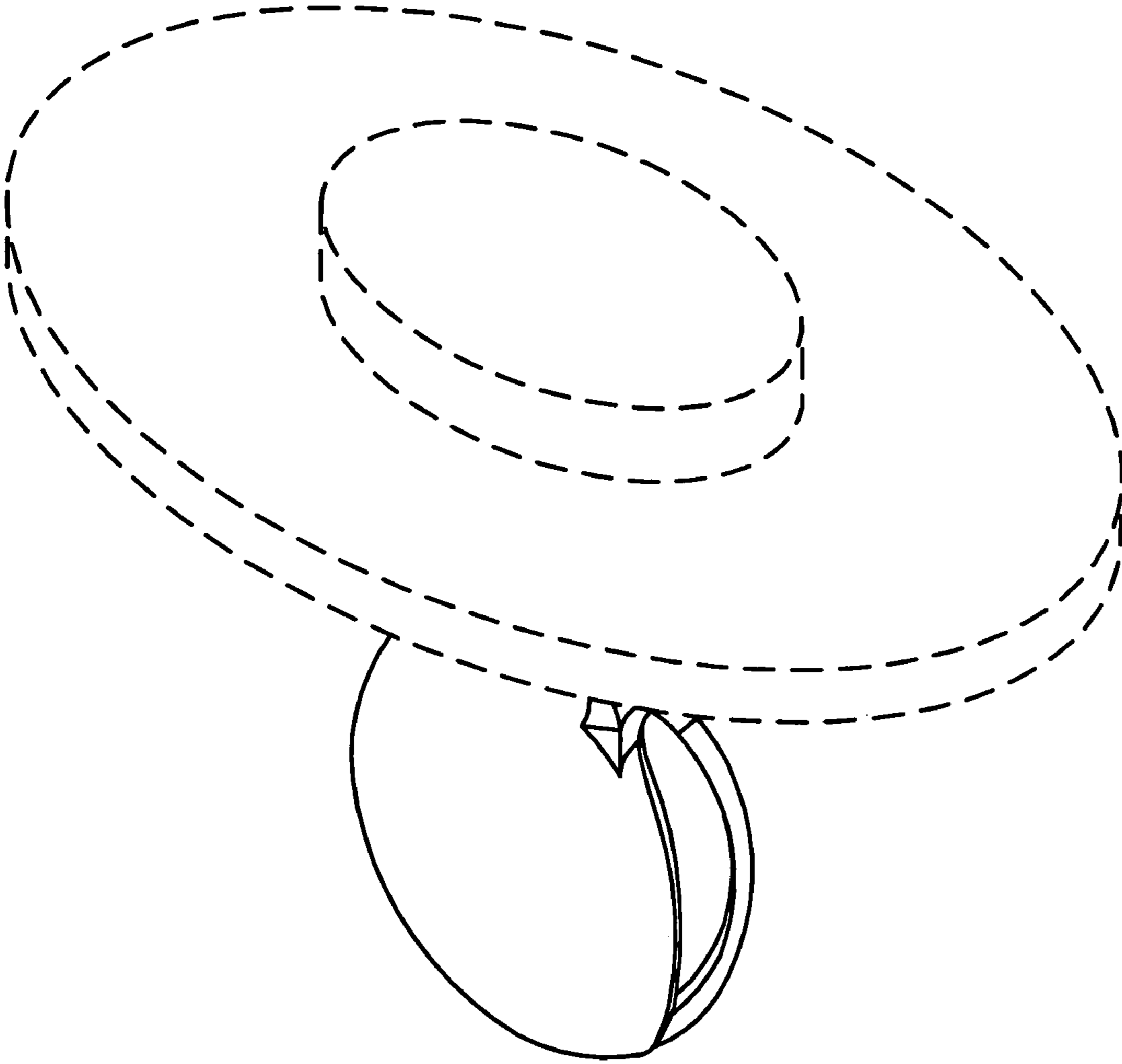


FIG. 1

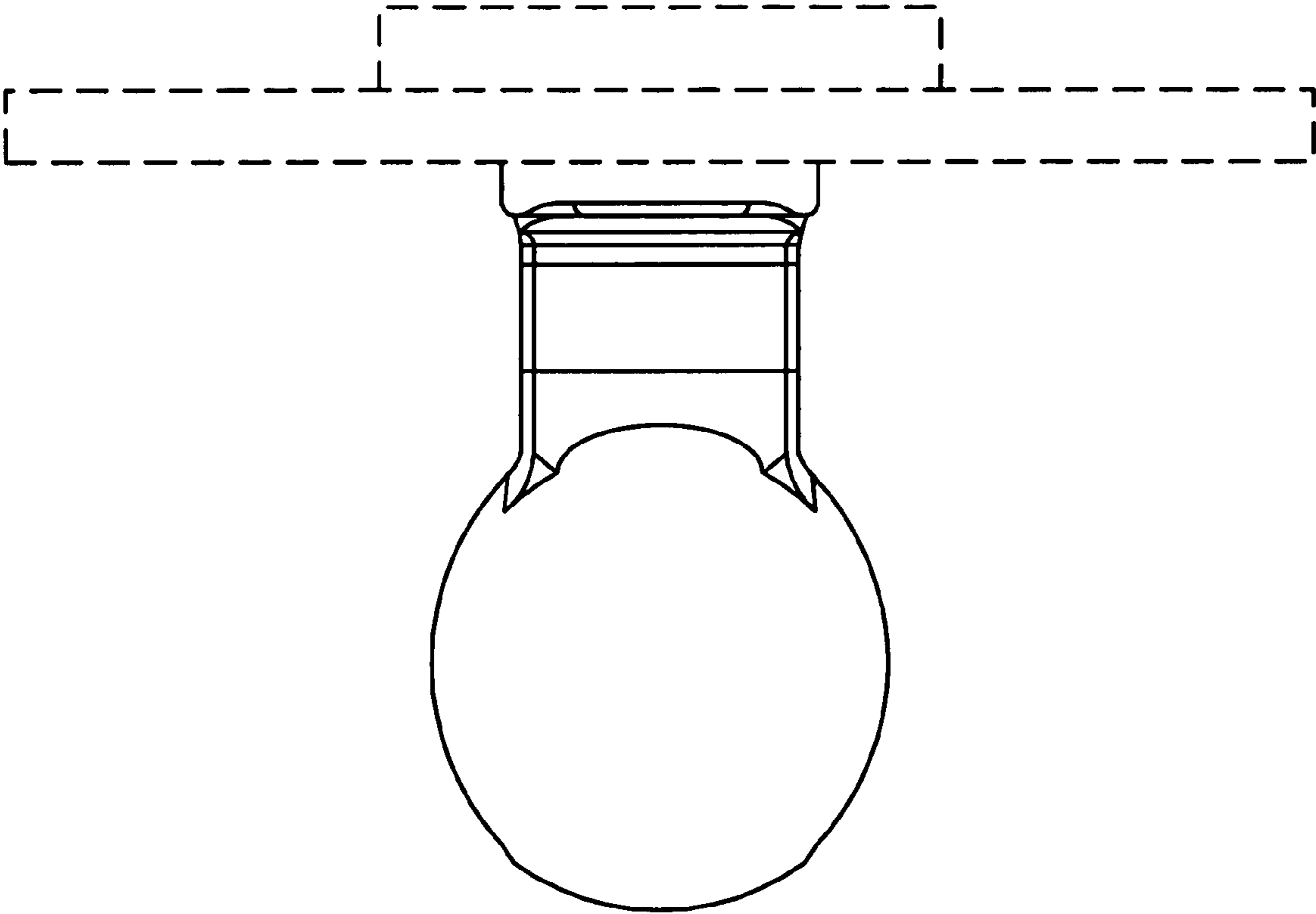


FIG. 2

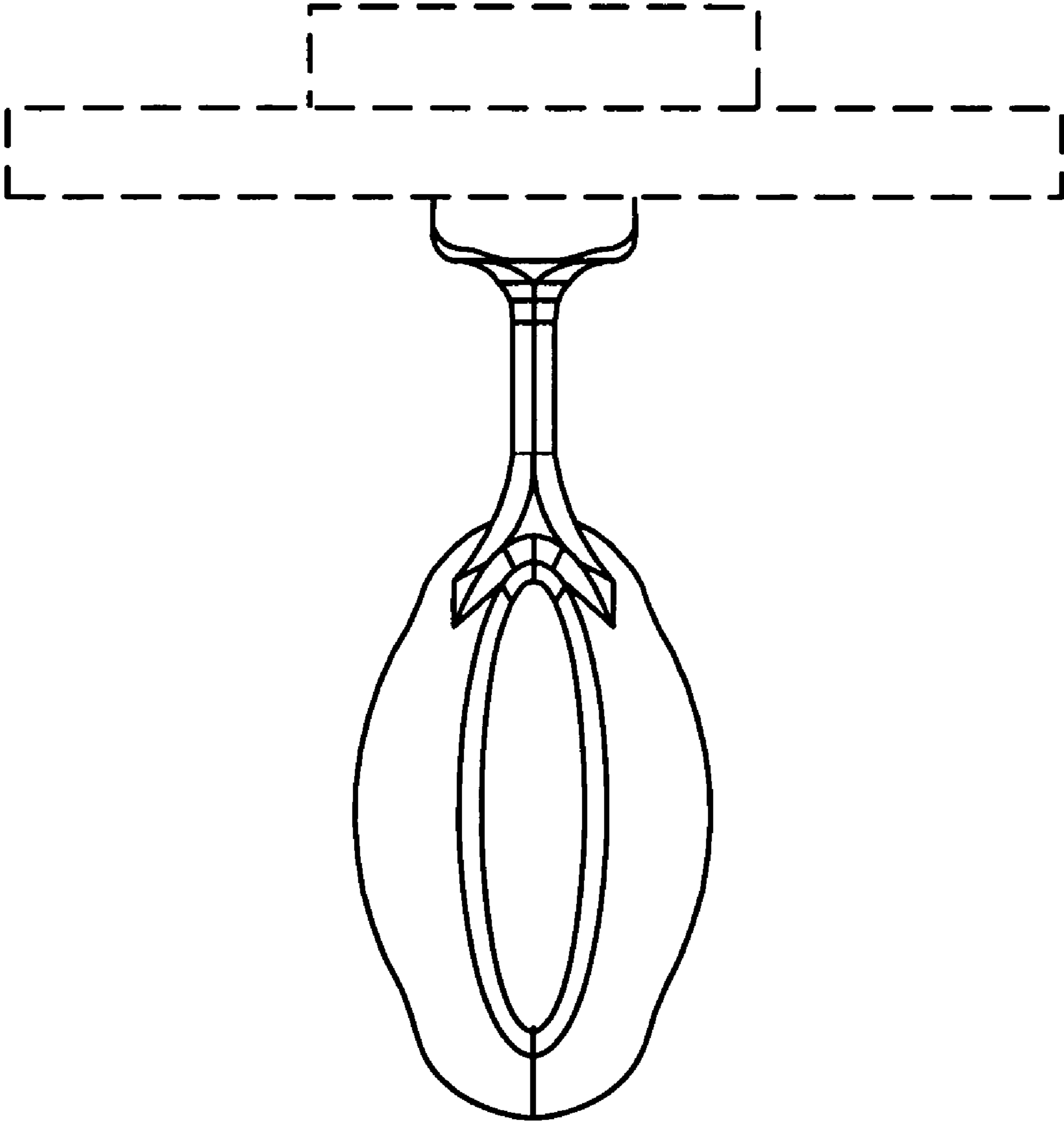
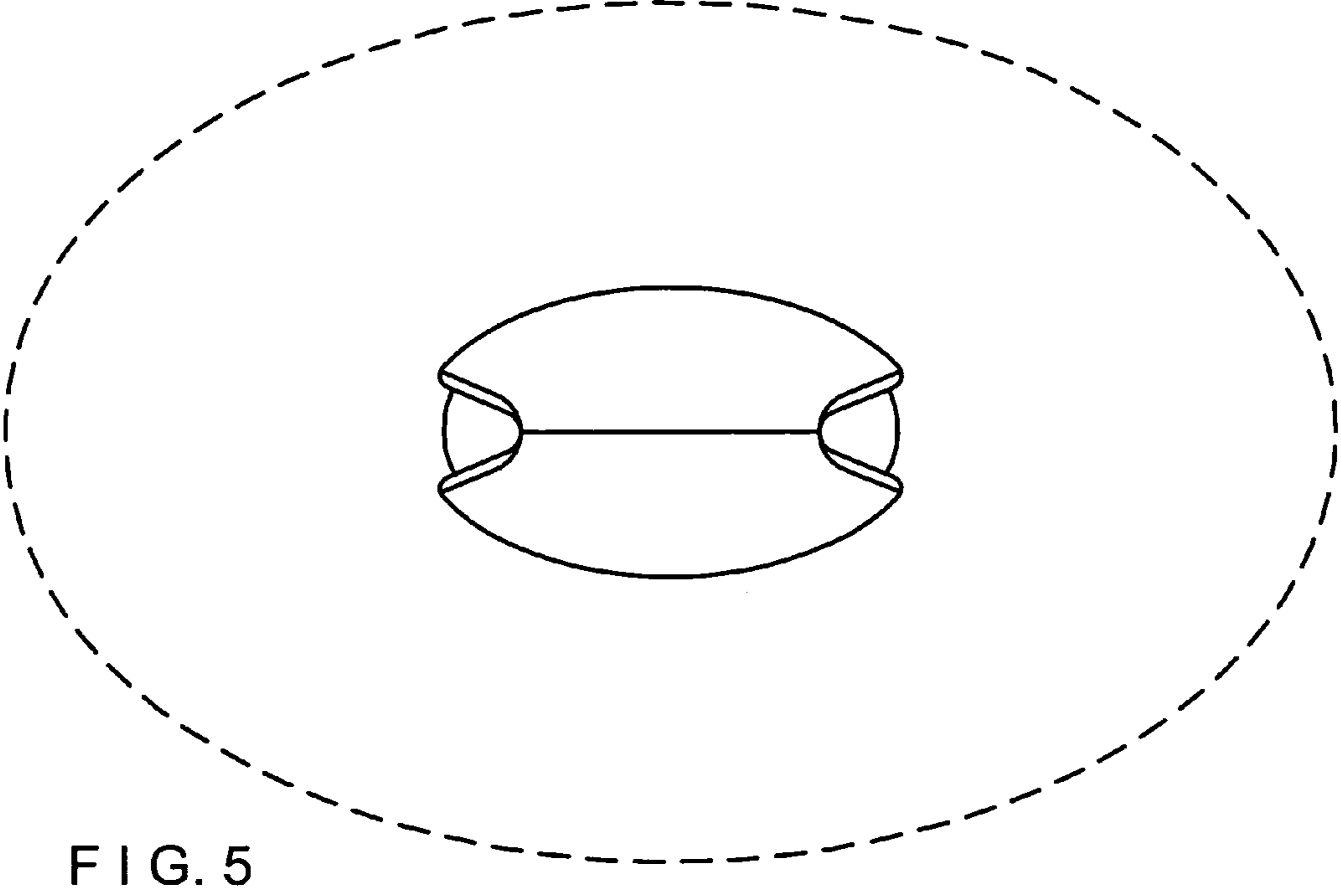
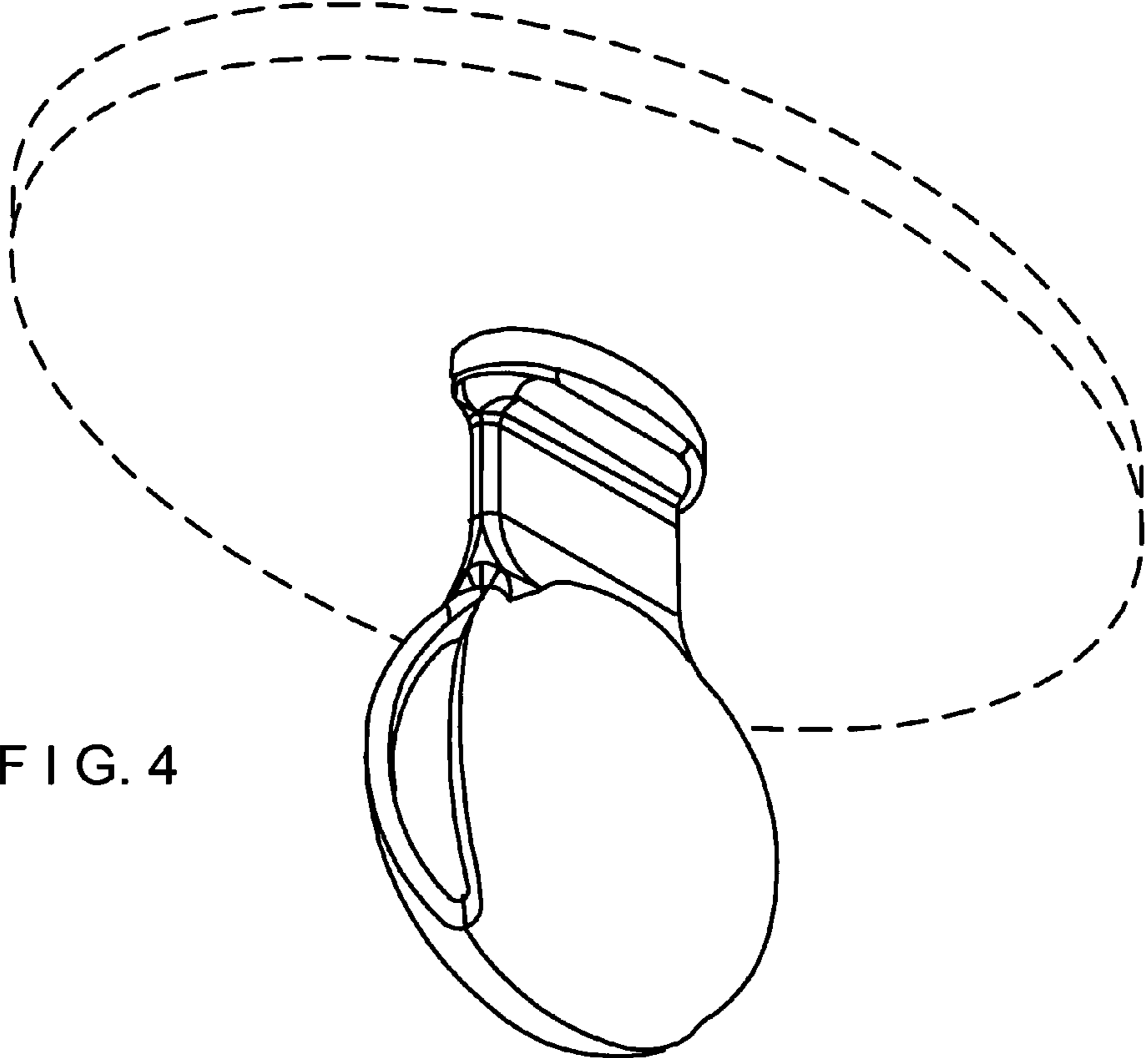


FIG. 3



UNITED STATES PATENT AND TRADEMARK OFFICE
CERTIFICATE OF CORRECTION

PATENT NO. : Des. 571,017 S
APPLICATION NO. : 29/271276
DATED : June 10, 2008
INVENTOR(S) : Peter Rohrig

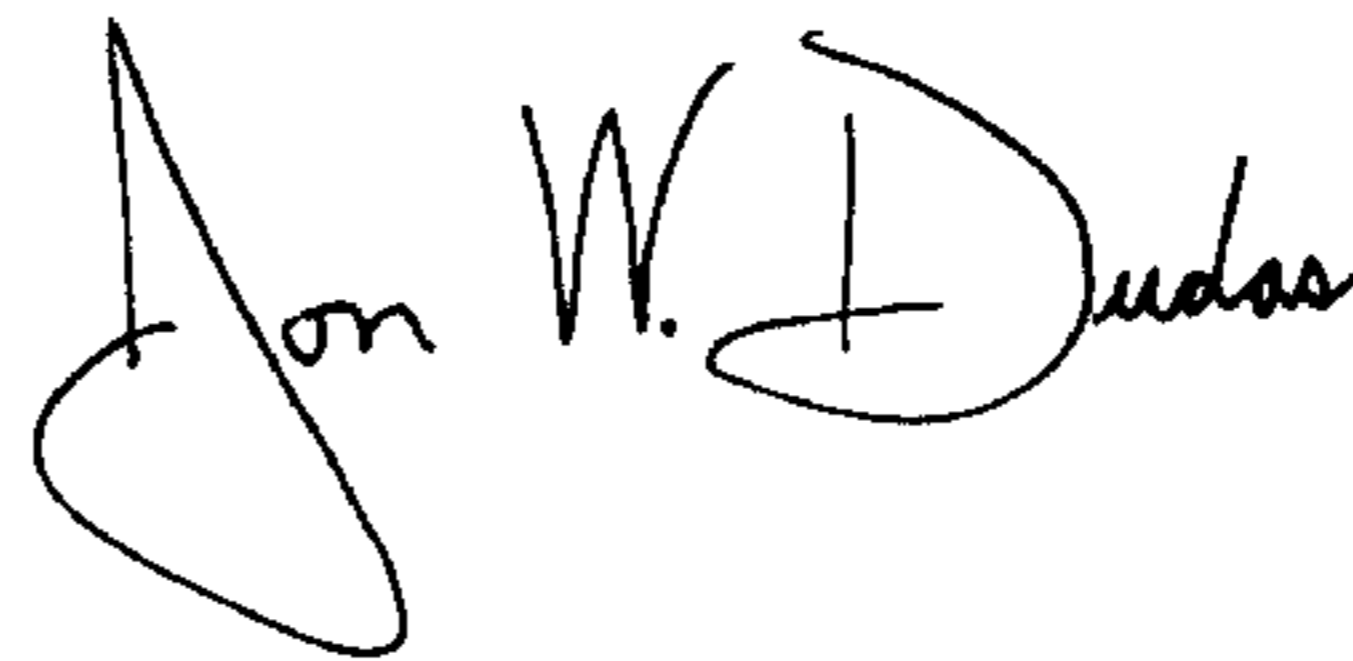
Page 1 of 1

It is certified that error appears in the above-identified patent and that said Letters Patent is hereby corrected as shown below:

On Title Page, Item 30, "AU" should read -- AT --.

Signed and Sealed this

Thirtieth Day of September, 2008

A handwritten signature in black ink that reads "Jon W. Dudas". The signature is written in a cursive style with a large initial "J" and "D".

JON W. DUDAS

Director of the United States Patent and Trademark Office