

US00D571011S

(12) **United States Design Patent**
Otoha et al.

(10) **Patent No.:** **US D571,011 S**
(45) **Date of Patent:** **** Jun. 10, 2008**

(54) **MEASURING APPARATUS FOR AN
ULTRASONIC DIAGNOSIS APPARATUS**

D544,962 S 6/2007 Diener et al.
D546,459 S 7/2007 Banryu

(75) Inventors: **Shigeru Otoha**, Tokyo (JP); **Atsunobu
Banryu**, Funabashi (JP)

FOREIGN PATENT DOCUMENTS

(73) Assignees: **Toshiba Medical Systems Corporation**
(JP); **Kabushiki Kaisha Toshiba** (JP)

CN 3419949 1/2005
JP 1067410 4/2000
JP 1140265 4/2002
JP 1240494 5/2005
JP 1283737 10/2006

(**) Term: **14 Years**

OTHER PUBLICATIONS

(21) Appl. No.: **29/283,471**

Extract of Nikkei Sangyo Shimbun (newspaper); 4723021N/iU22;
Received Jul. 23, 2004.

(22) Filed: **Aug. 15, 2007**

Primary Examiner—Antoine D Davis

(30) **Foreign Application Priority Data**

(74) *Attorney, Agent, or Firm*—Banner & Witcoff, Ltd.

May 18, 2007 (JP) 2007-013204

(57) **CLAIM**

(51) **LOC (8) Cl.** **24-01**

The ornamental design for a measuring apparatus for an
ultrasonic diagnosis apparatus, as shown and described.

(52) **U.S. Cl.** **D24/158**

(58) **Field of Classification Search** D24/158,
D24/160; 128/915, 916; 600/437-457
See application file for complete search history.

DESCRIPTION

(56) **References Cited**

FIG. 1 is a front, top and right side perspective view of a
measuring apparatus for an ultrasonic diagnosis apparatus,
showing our new design;

U.S. PATENT DOCUMENTS

D318,919 S 8/1991 Takaki et al.
D354,353 S 1/1995 Ishizuka et al.
D360,690 S 7/1995 Murakami
D365,148 S 12/1995 Murakami et al.
D368,521 S 4/1996 Asai et al.
D398,059 S 9/1998 Kwak
D480,810 S 10/2003 Gumisawa
D512,508 S 12/2005 Mesaros
D529,611 S 10/2006 Gumisawa et al.

FIG. 2 is a front elevational view thereof;

FIG. 3 is a rear elevational view thereof;

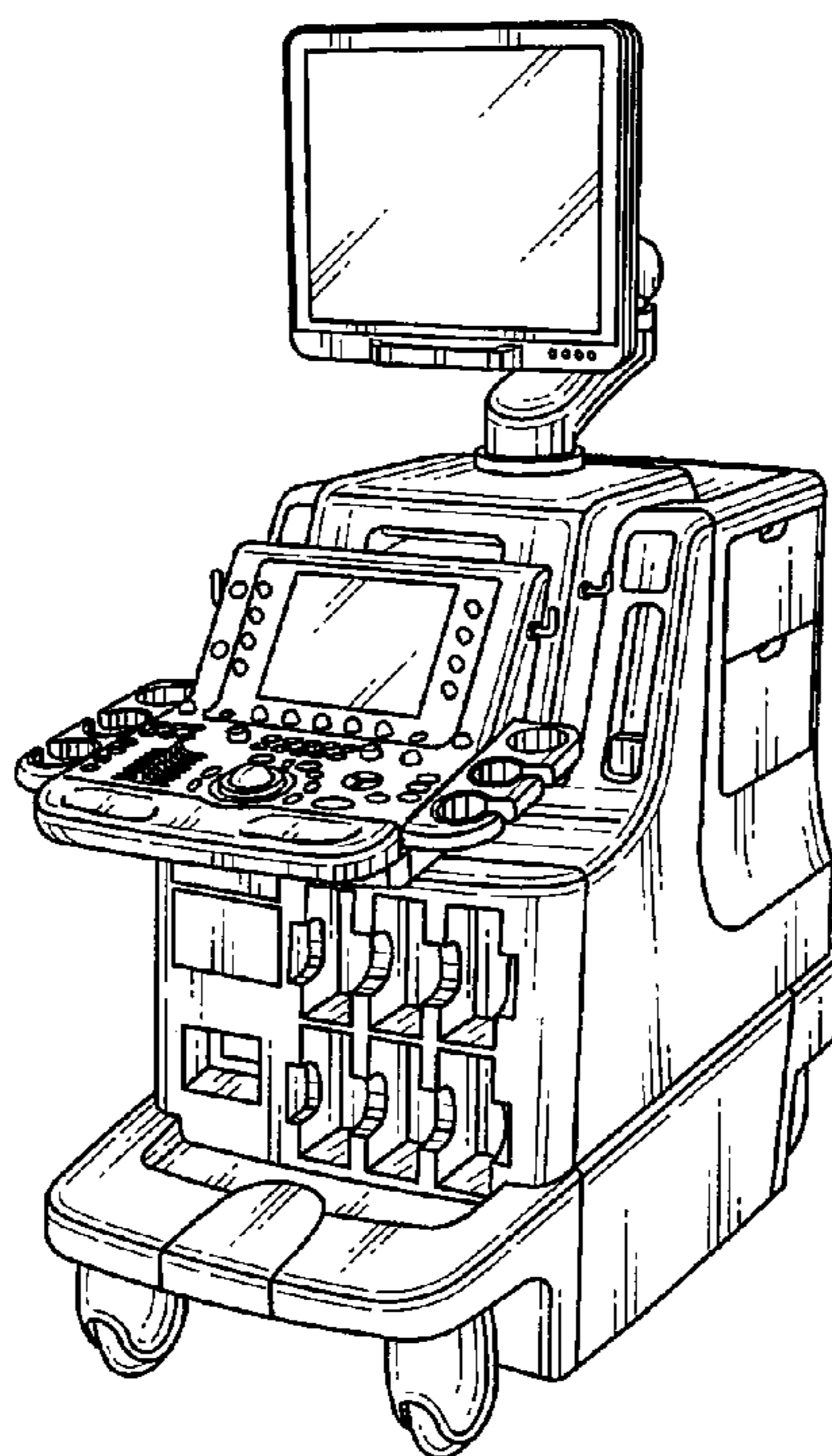
FIG. 4 is a top plan view thereof;

FIG. 5 is a bottom plan view thereof;

FIG. 6 is a left side elevational view thereof; and,

FIG. 7 is a right side elevational view thereof.

1 Claim, 4 Drawing Sheets



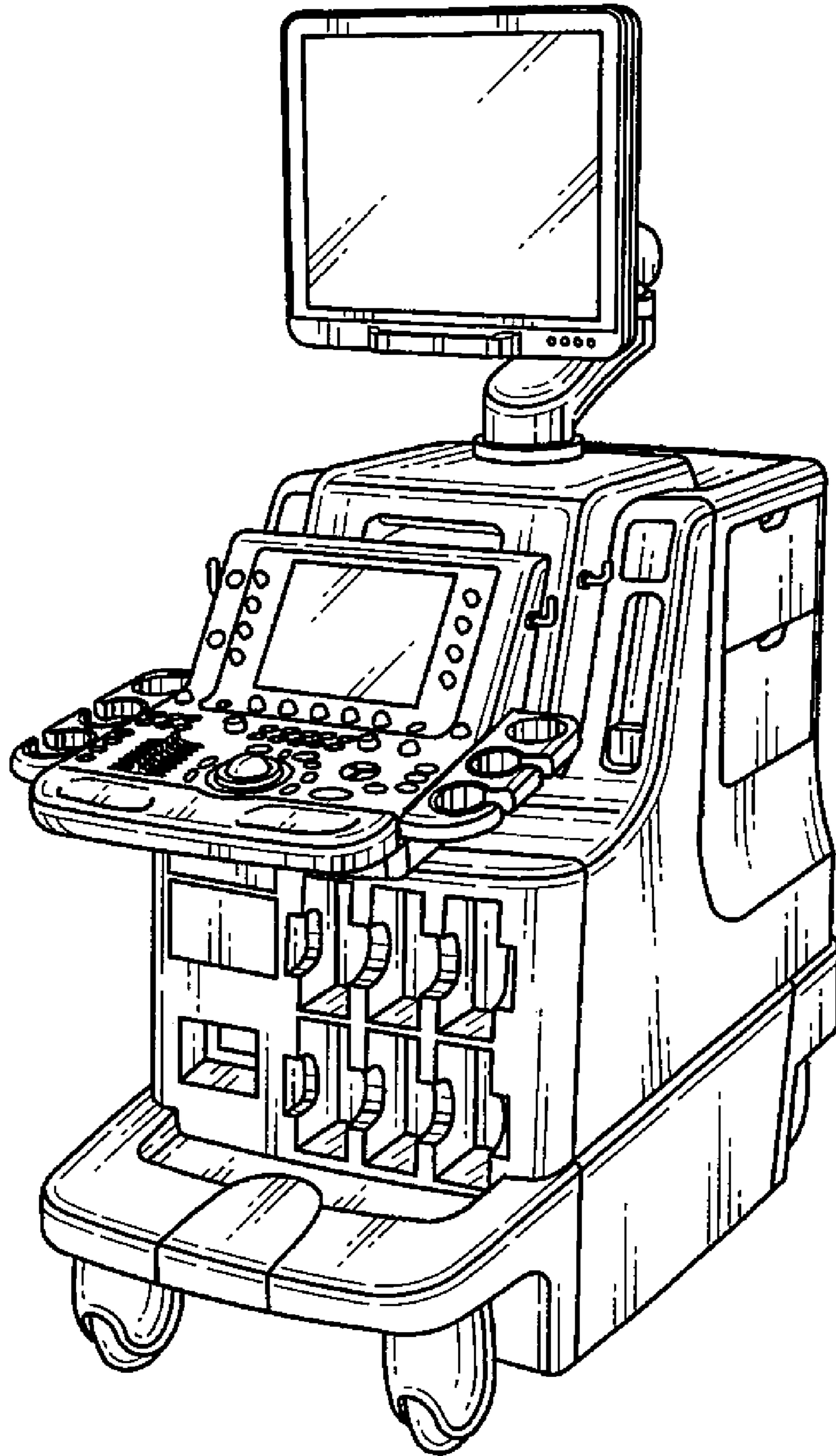


FIG. 1

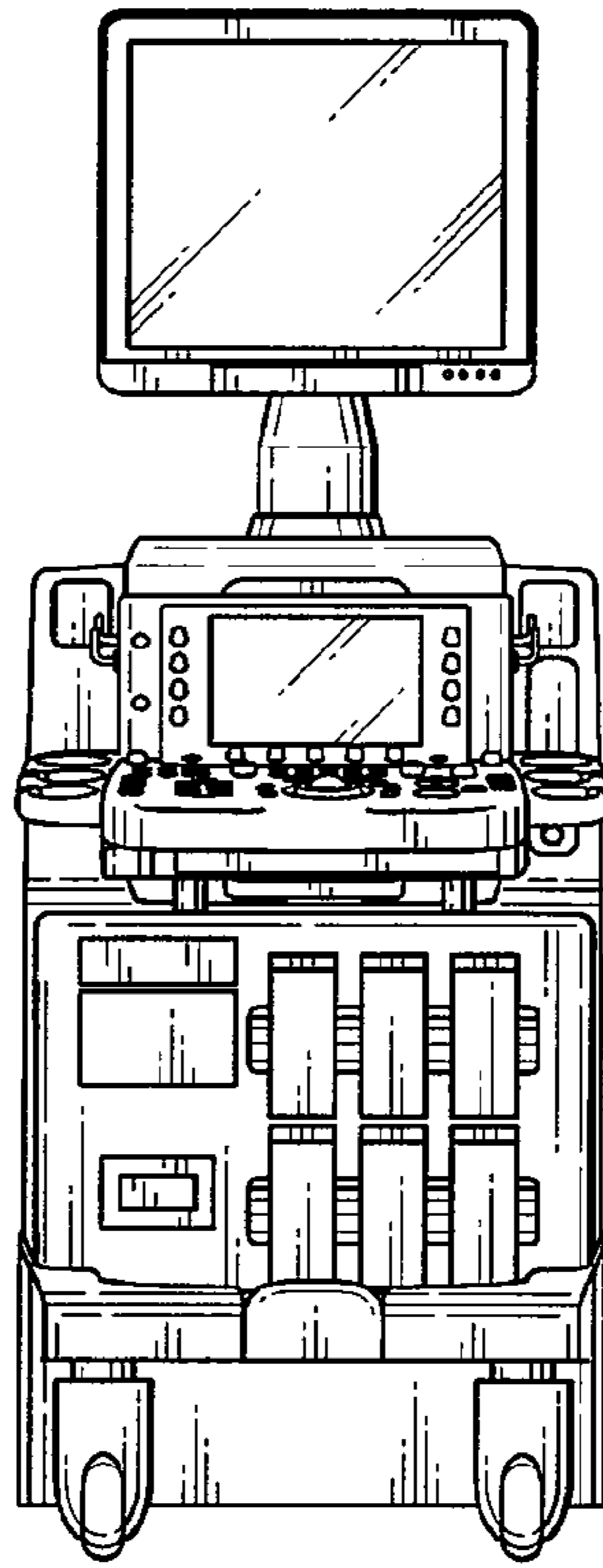


FIG.2

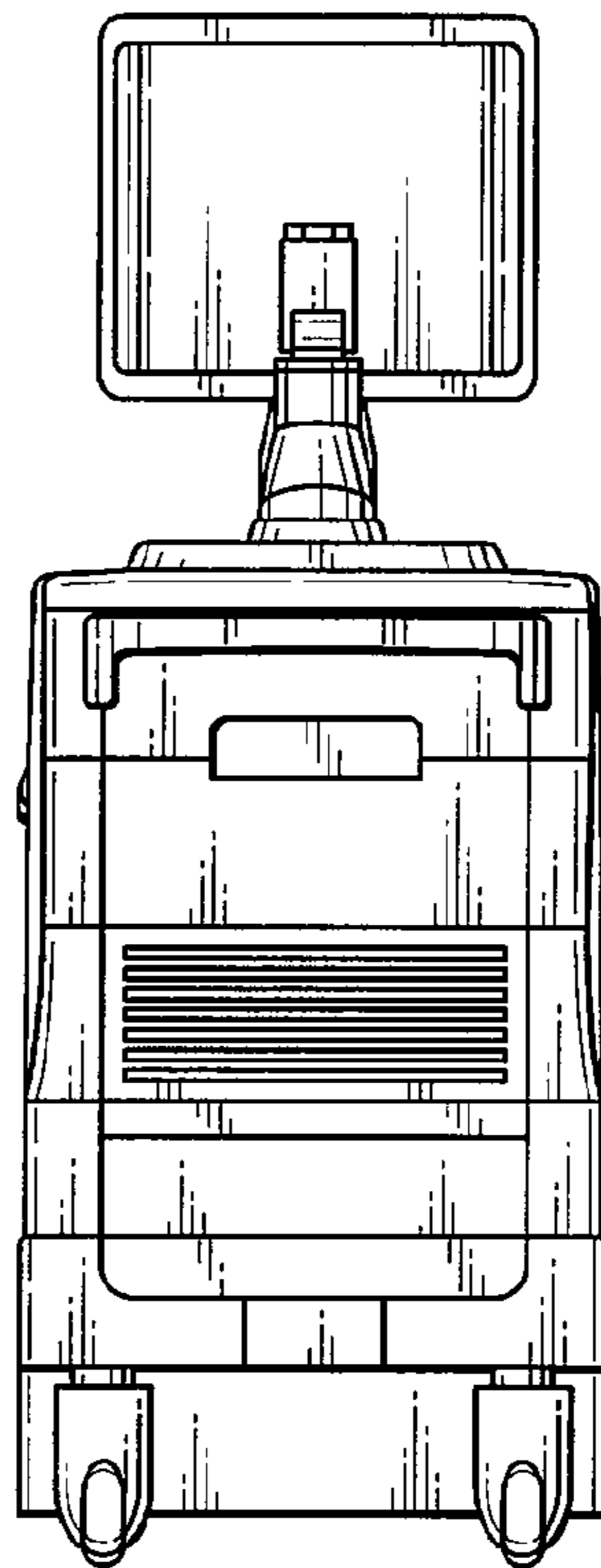


FIG.3

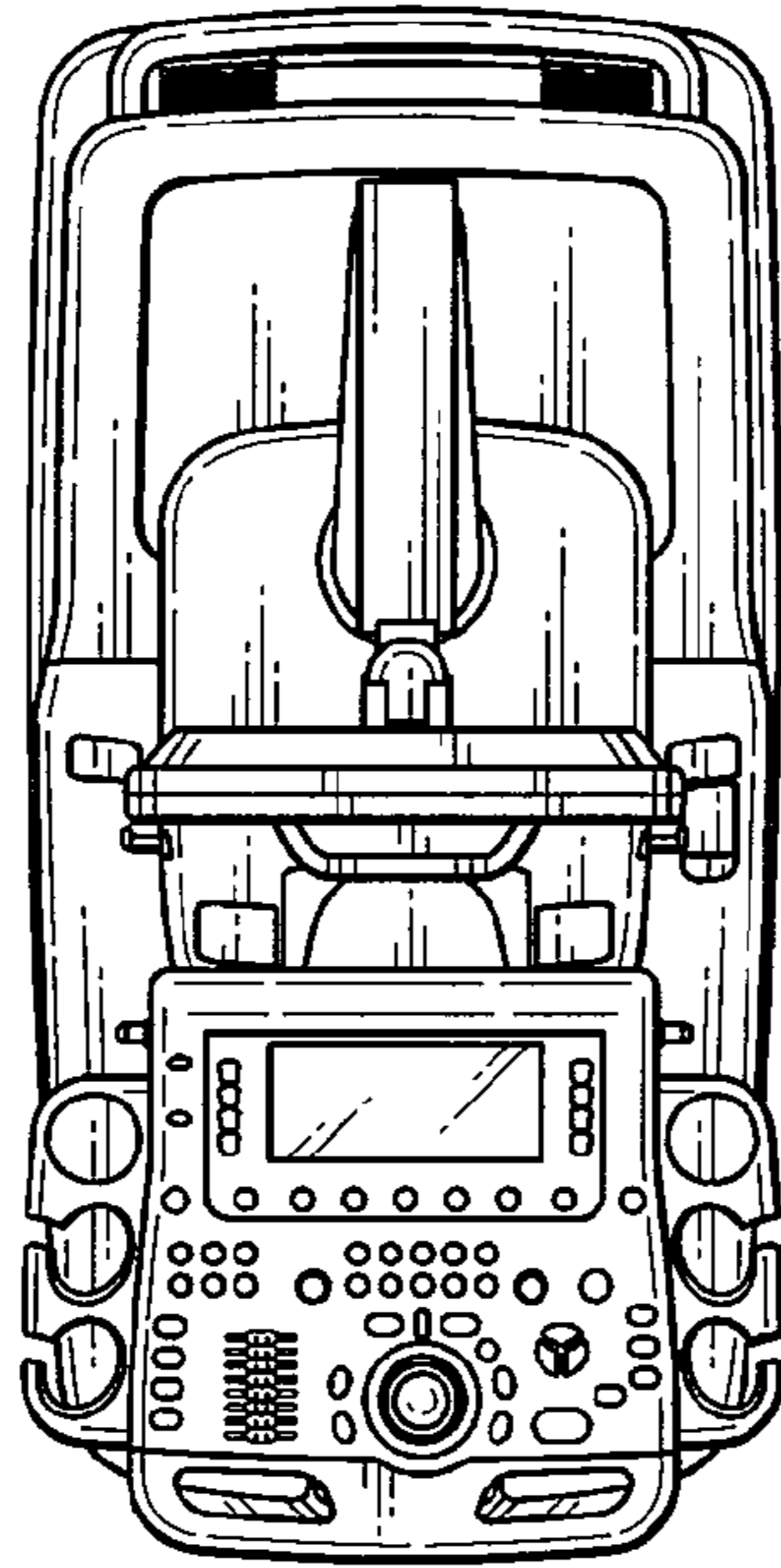


FIG. 4

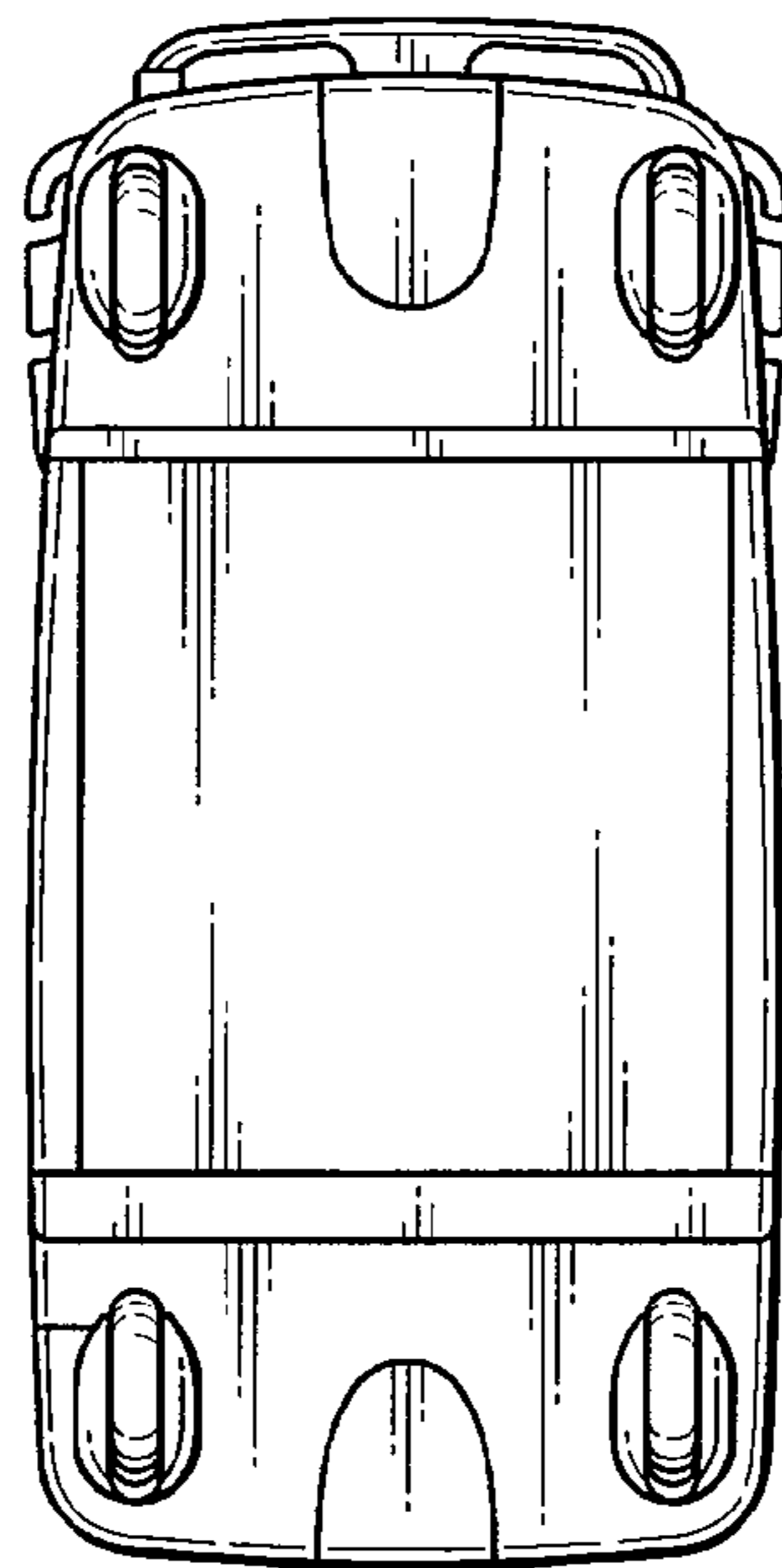


FIG. 5

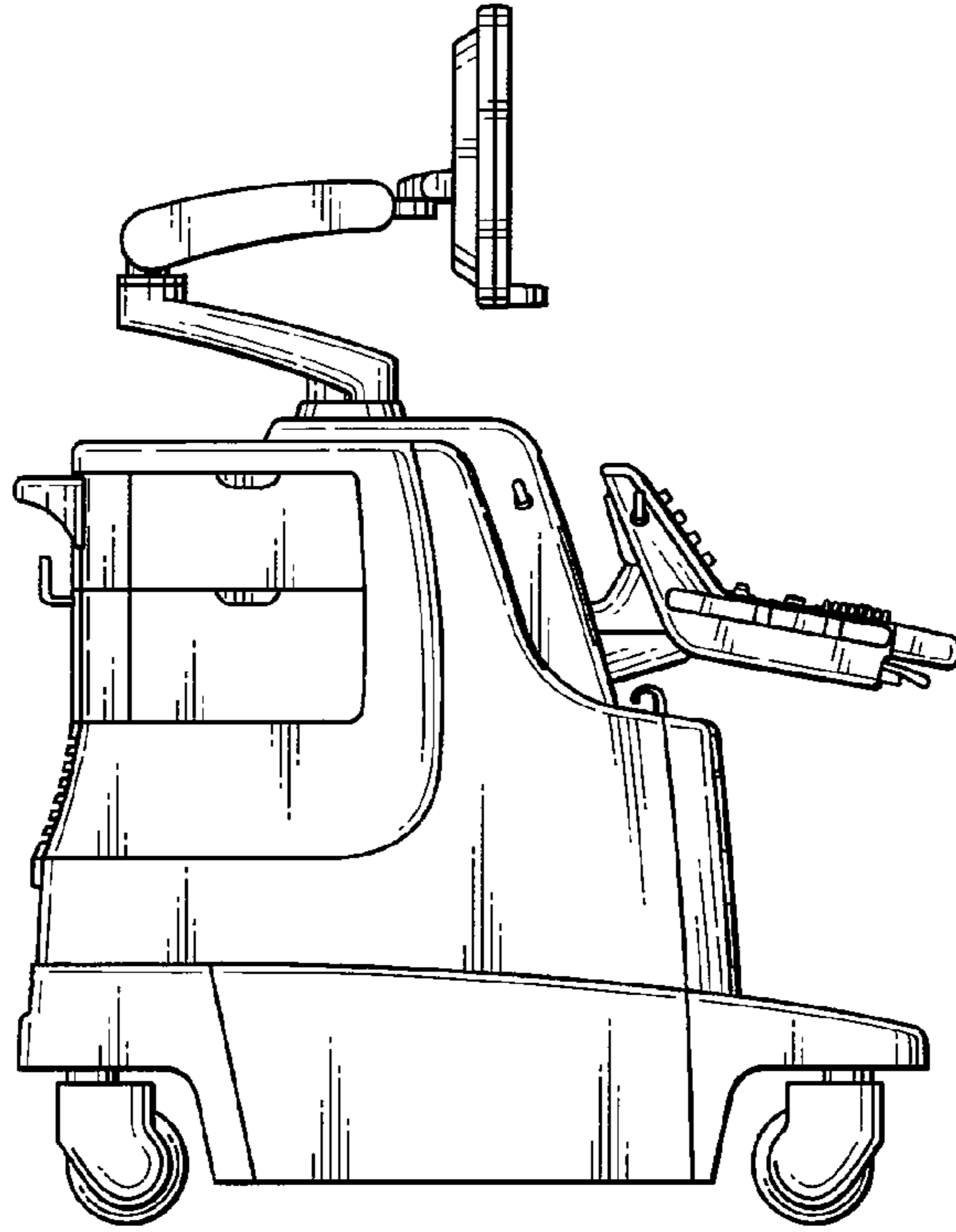


FIG. 6

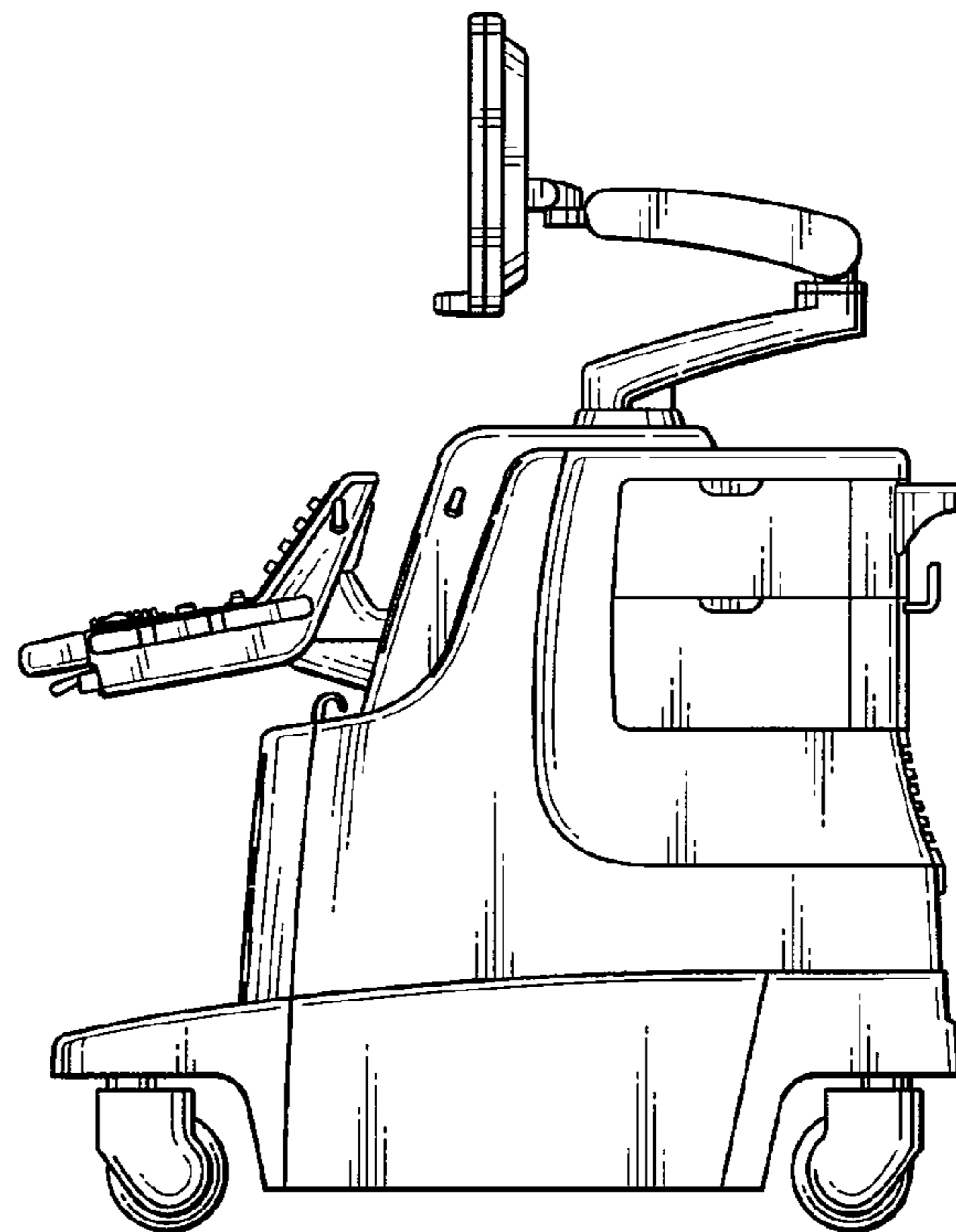


FIG. 7