



US00D571010S

(12) **United States Design Patent**
Cote

(10) **Patent No.:** **US D571,010 S**
(45) **Date of Patent:** **** Jun. 10, 2008**

(54) **SURGICAL KNIFE SAFETY HANDLE**

5,741,289 A 4/1998 Jolly et al. 606/181
5,749,886 A 5/1998 Abidin et al. 606/182

(75) Inventor: **Dana M. Cote**, Boxford, MA (US)

(Continued)

(73) Assignee: **Becton, Dickinson and Company**,
Franklin Lakes, NJ (US)

OTHER PUBLICATIONS

Oasis Medical Inc., "Oasis Premier Shield Safety Scalpels", Oasis
Product Catalog, 2006, Glendora California.

(**) Term: **14 Years**

Primary Examiner—Adir Aronovich
Assistant Examiner—Carissa C Fitts

(21) Appl. No.: **29/267,518**

(74) *Attorney, Agent, or Firm*—James J. Murtha; Roylance
Abrams Berdo & Goodman

(22) Filed: **Oct. 17, 2006**

(51) **LOC (8) Cl.** **24-02**

(52) **U.S. Cl.** **D24/147**

(58) **Field of Classification Search** D24/146,
D24/147, 133; D8/98, 99, 107; 606/166,
606/167, 161, 181, 182, 170; 600/566, 567;
30/151, 160, 162, 329, 333, 335, 337, 295,
30/282, 286

(57) **CLAIM**

See application file for complete search history.

The ornamental design for a surgical knife safety handle, as
shown and described.

DESCRIPTION

(56) **References Cited**

FIG. 1 is a perspective view of a surgical knife safety handle
showing my new design, with the guard extended to cover the
surgical knife blade;

U.S. PATENT DOCUMENTS

FIG. 2 is an enlarged rear elevational view of the surgical
knife safety handle shown in FIG. 1;

4,500,220 A	2/1985	Hashimoto	401/53
D283,544 S	4/1986	Schmidt et al.	D24/30
4,735,202 A	4/1988	Williams	128/305
4,757,612 A	7/1988	Peyrot	30/151
4,826,339 A	5/1989	Sasaki	401/269
5,071,426 A	12/1991	Dolgin et al.	606/167
5,139,507 A	8/1992	Dolgin et al.	606/167
5,207,696 A	5/1993	Matwijcow	606/167
5,250,063 A	10/1993	Abidin et al.	606/167
5,254,128 A	10/1993	Mesa	606/167
5,275,606 A	1/1994	Abidin et al.	606/167
5,299,357 A	4/1994	Wonderley et al.	30/339
5,309,641 A	5/1994	Wonderley et al.	30/339
5,411,512 A	5/1995	Abidin et al.	606/167
5,417,704 A	5/1995	Wonderley	606/167
5,496,340 A	3/1996	Abidin et al.	606/167
5,569,281 A	10/1996	Abidin et al.	606/167
5,577,850 A	11/1996	Mishima	401/83
5,620,454 A	4/1997	Pierce et al.	606/167
5,662,669 A	9/1997	Abidin et al.	606/167
5,683,407 A	11/1997	Jolly et al.	606/181

FIG. 3 is an enlarged front elevational view of the surgical
knife safety handle shown in FIG. 1;

FIG. 4 is a right side elevational view of the surgical knife
safety handle shown in FIG. 1;

FIG. 5 is a left side elevational view of the surgical knife
safety handle shown in FIG. 1;

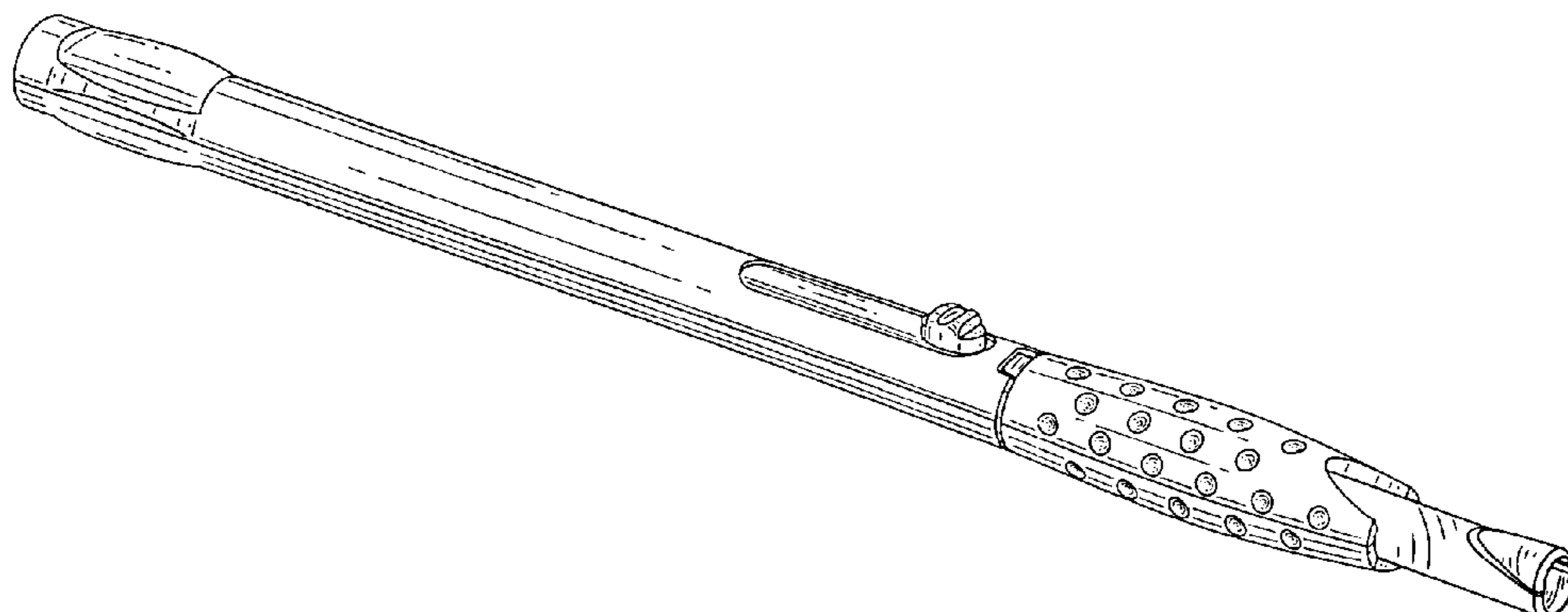
FIG. 6 is a top view of the surgical knife safety handle shown
in FIG. 1;

FIG. 7 is a bottom view of the surgical knife safety handle
shown in FIG. 1; and,

FIG. 8 is a perspective view of the surgical knife safety handle
shown in FIG. 1, with the guard retracted to expose the
surgical knife blade.

The broken line showing of the surgical knife blade and blade
support is for illustrative purposes only, and forms no part of
the claimed design.

1 Claim, 7 Drawing Sheets



US D571,010 S

Page 2

U.S. PATENT DOCUMENTS

5,752,968	A	5/1998	Jolly et al.	606/167	D470,938	S	2/2003	Howell et al.	D24/147
5,792,162	A	8/1998	Jolly et al.	606/167	6,569,175	B1	5/2003	Robinson	606/166
5,827,309	A	10/1998	Jolly et al.	606/167	D496,730	S	9/2004	Morawski et al.	D24/147
5,908,432	A *	6/1999	Pan	606/167	D504,513	S	4/2005	Morawski et al.	D24/147
5,924,206	A	7/1999	Cote et al.	30/337	6,884,240	B1	4/2005	Dykes	606/1
D421,303	S	2/2000	Cote et al.	D24/133	7,022,128	B2	4/2006	Morawski et al.	606/167
6,065,889	A	5/2000	Maruyama et al.	401/65	7,055,248	B2	6/2006	Cote	30/337
6,089,775	A	7/2000	Yokouchi	401/65	D533,944	S *	12/2006	Sullivan et al.	D24/147
6,391,041	B1 *	5/2002	Edens	606/167	7,150,754	B2 *	12/2006	Ziemer	606/167
D463,555	S *	9/2002	Etter et al.	D24/147	D537,528	S *	2/2007	Christensen et al.	D24/147
D465,279	S *	11/2002	Etter et al.	D24/133	2005/0015104	A1	1/2005	Morawski et al.	606/167
D466,214	S	11/2002	Otsuka	D24/147	2005/0119680	A1	6/2005	Dykes	606/167
6,503,262	B1	1/2003	Edens	606/167	2006/0085019	A1	4/2006	Cote et al.	606/167

* cited by examiner

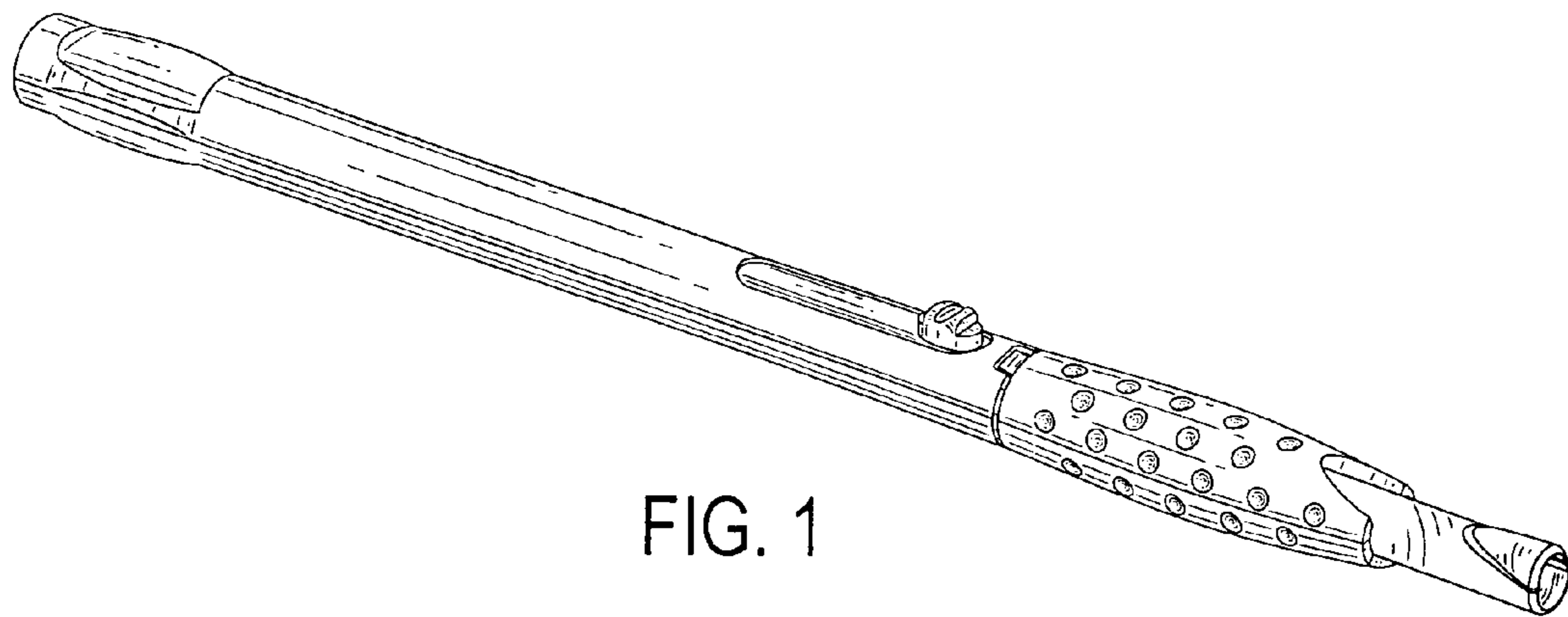


FIG. 1

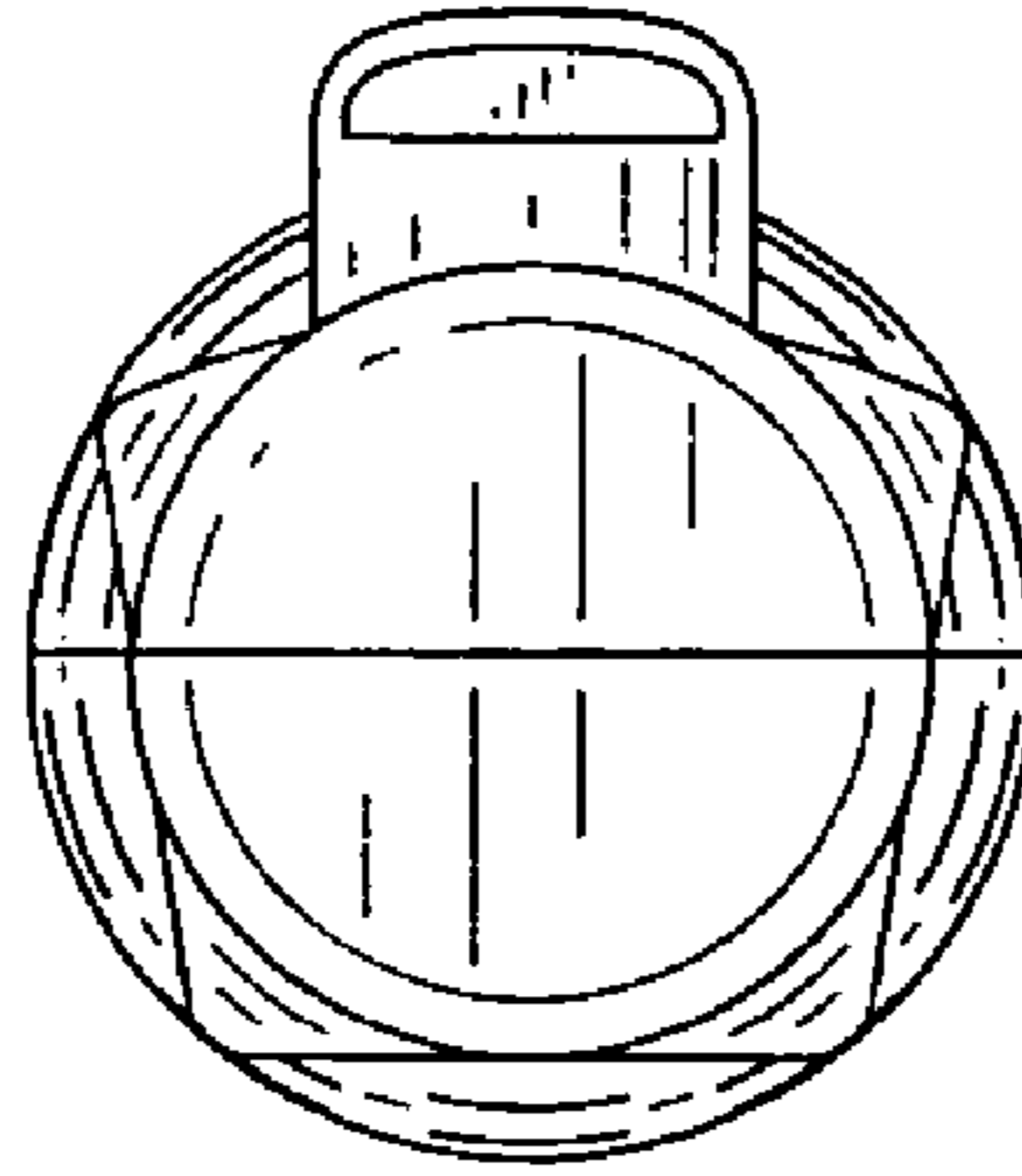


FIG. 2

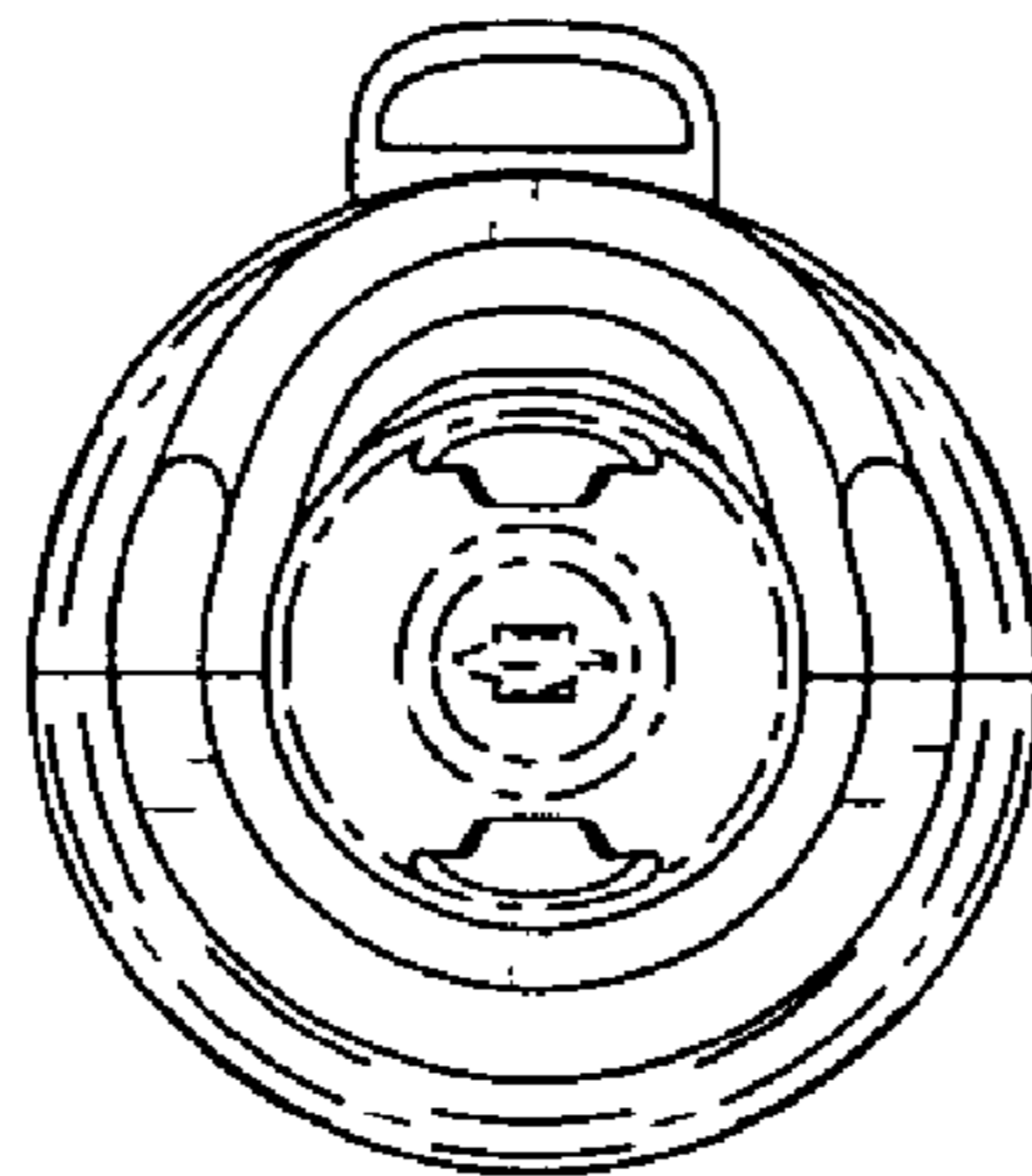


FIG. 3

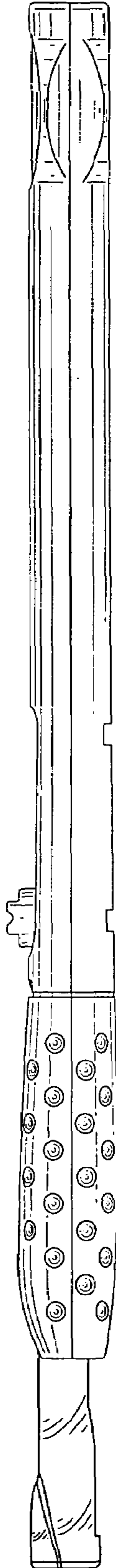


FIG. 4

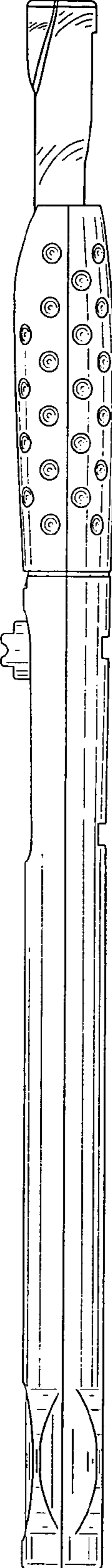


FIG. 5



FIG. 6

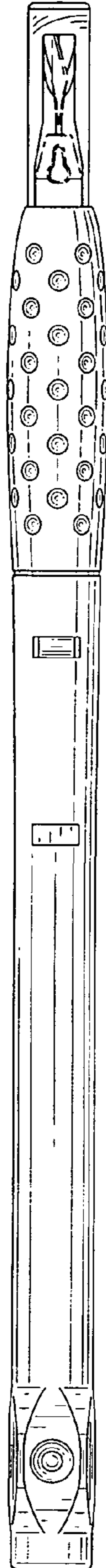


FIG. 7

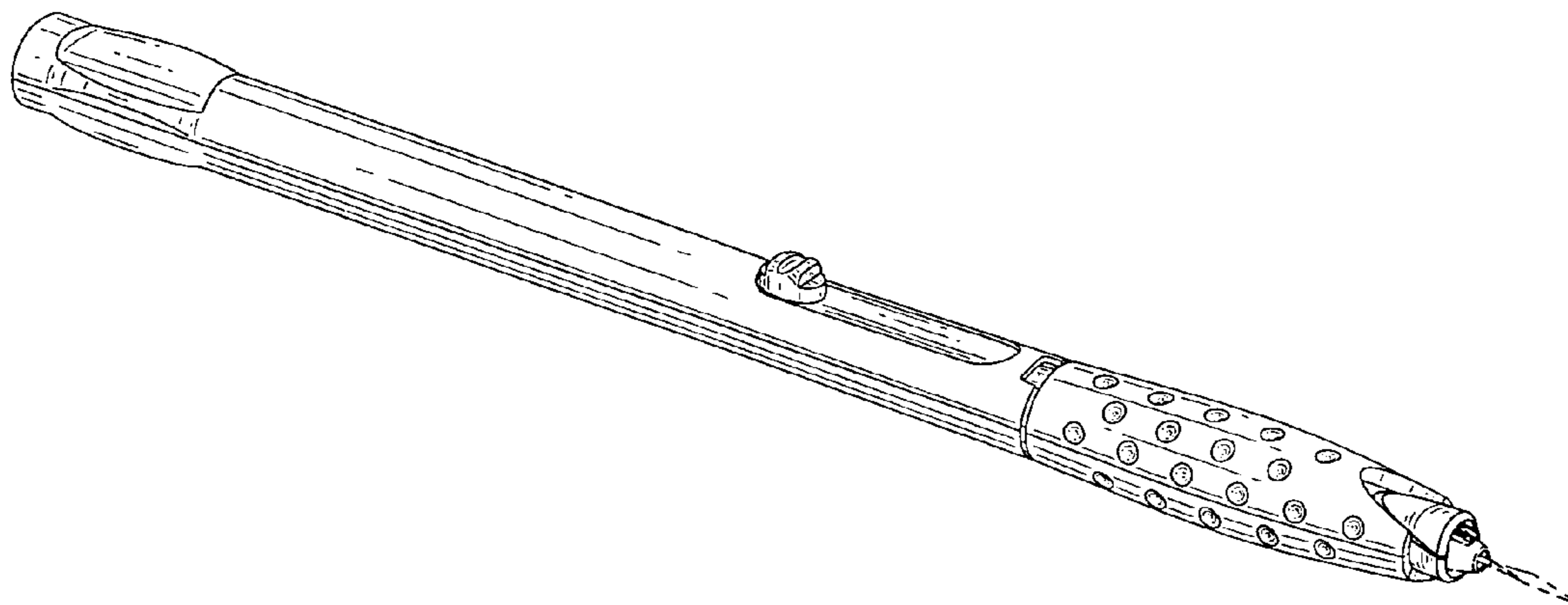


FIG. 8